



US00D736088S

(12) **United States Design Patent**
Siu

(10) **Patent No.:** **US D736,088 S**

(45) **Date of Patent:** **** Aug. 11, 2015**

(54) **FLUID SOAP CONTAINER FOR USE WITH DISPENSER UNIT**

(71) Applicant: **Sam Siu Wai Siu**, Hong Kong (CN)

(72) Inventor: **Sam Siu Wai Siu**, Hong Kong (CN)

(**) Term: **14 Years**

(21) Appl. No.: **29/484,520**

(22) Filed: **Mar. 10, 2014**

(51) **LOC (10) Cl.** **09-01**

(52) **U.S. Cl.**

USPC **D9/523**; D6/542

(58) **Field of Classification Search**

USPC D6/512, 515, 524, 540, 542, 545;
D7/300, 304, 305, 312, 313, 589;
D9/414, 417, 430, 432, 434, 435, 436,
D9/447, 448, 516, 523, 525, 547, 682, 683,
D9/684, 693, 715, 719, 730, 733, 738;
D24/216, 224; 215/379-385, 396, 398,
215/400; 220/660, 662, 665, 669; 222/251,
222/490

See application file for complete search history.

(56) **References Cited**

U.S. PATENT DOCUMENTS

D45,780 S * 5/1914 Zsuzsits D9/544
2,261,310 A * 11/1941 Sullivan 222/490

D297,711 S * 9/1988 Mednis D9/523
D341,775 S * 11/1993 Wolde et al. D9/724
D472,975 S * 4/2003 Iori et al. D24/224
D512,638 S * 12/2005 Baron D9/523
D681,457 S * 5/2013 Mannoia D9/448
D710,198 S * 8/2014 Blowfield et al. D9/447
D723,372 S * 3/2015 Lecetre et al. D9/516

* cited by examiner

Primary Examiner — Susan Bennett Hattan

Assistant Examiner — Leanne Was

(74) *Attorney, Agent, or Firm* — Matthias Scholl P.C.;
Matthias Scholl

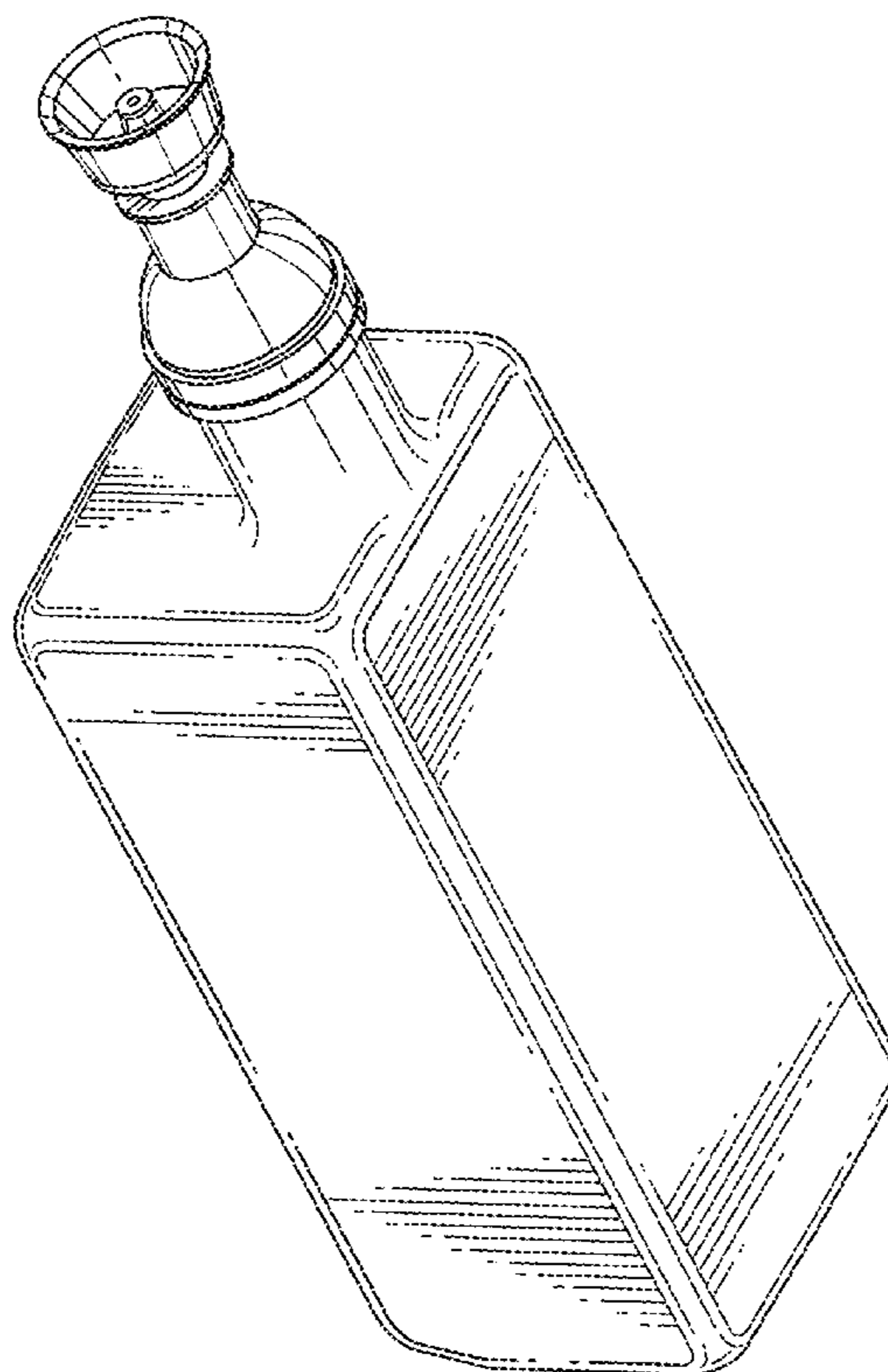
(57) **CLAIM**

The ornamental design for a fluid soap container for use with dispenser unit, as shown and described.

DESCRIPTION

FIG. 1 is a front elevational view of a fluid soap container for use with dispenser unit;
FIG. 2 is a rear elevational view thereof;
FIG. 3 is a left side elevational view thereof;
FIG. 4 is a right side elevational view thereof;
FIG. 5 is a top plan view thereof;
FIG. 6 is a bottom plan view thereof; and,
FIG. 7 is a perspective thereof.

1 Claim, 7 Drawing Sheets



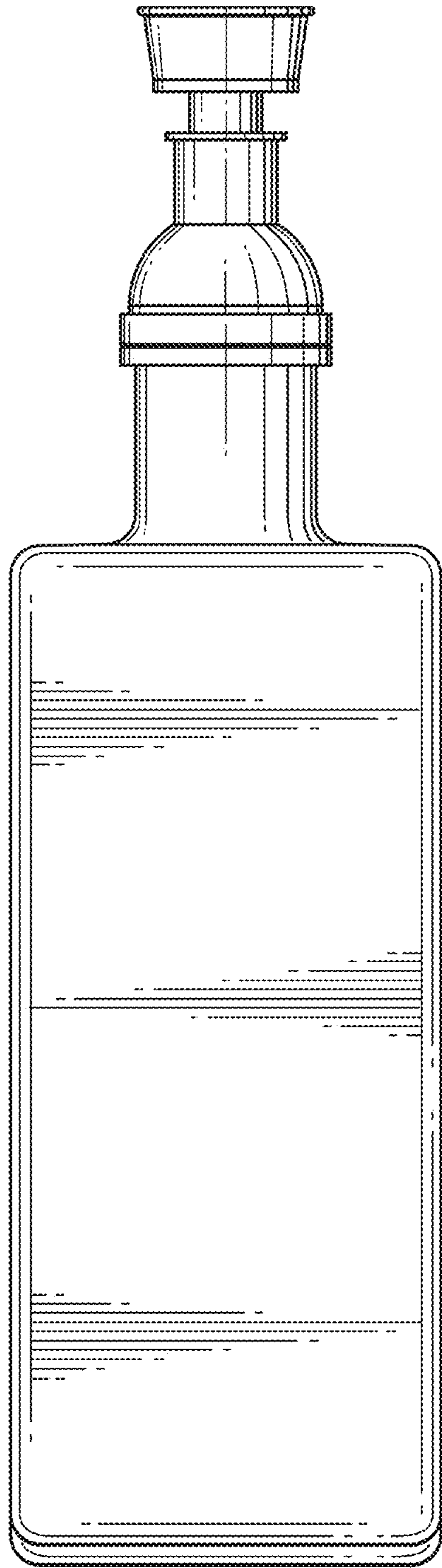


Fig. 1

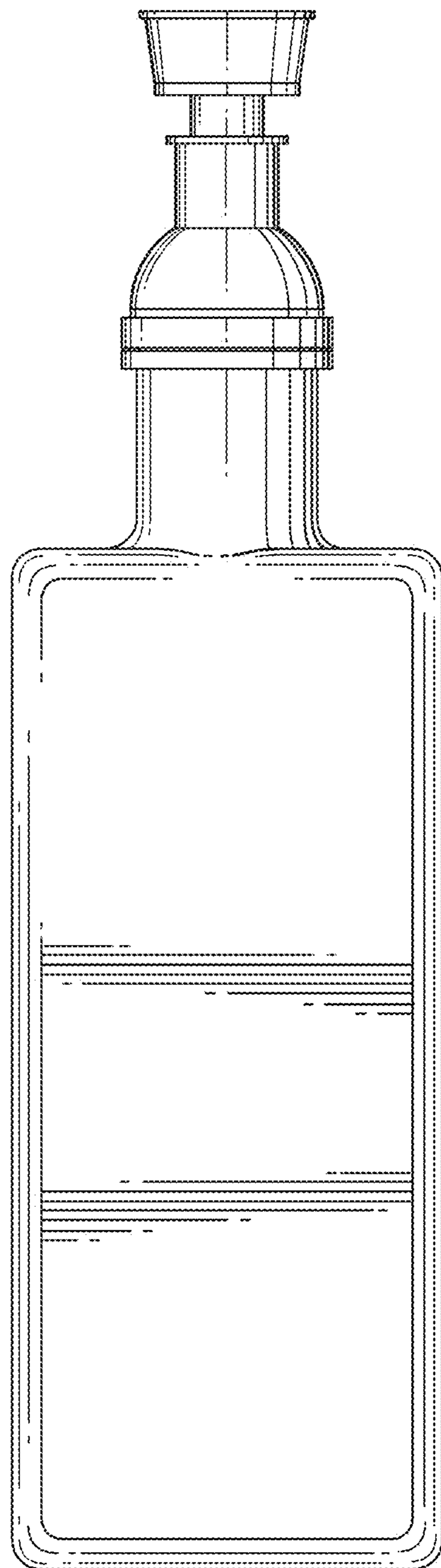


Fig. 2

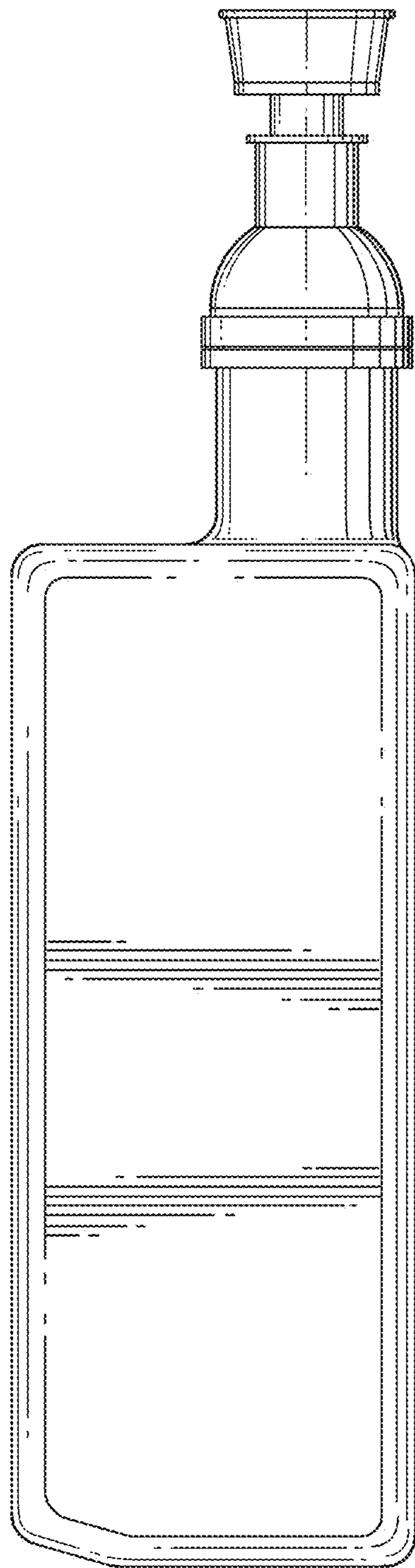


Fig. 3

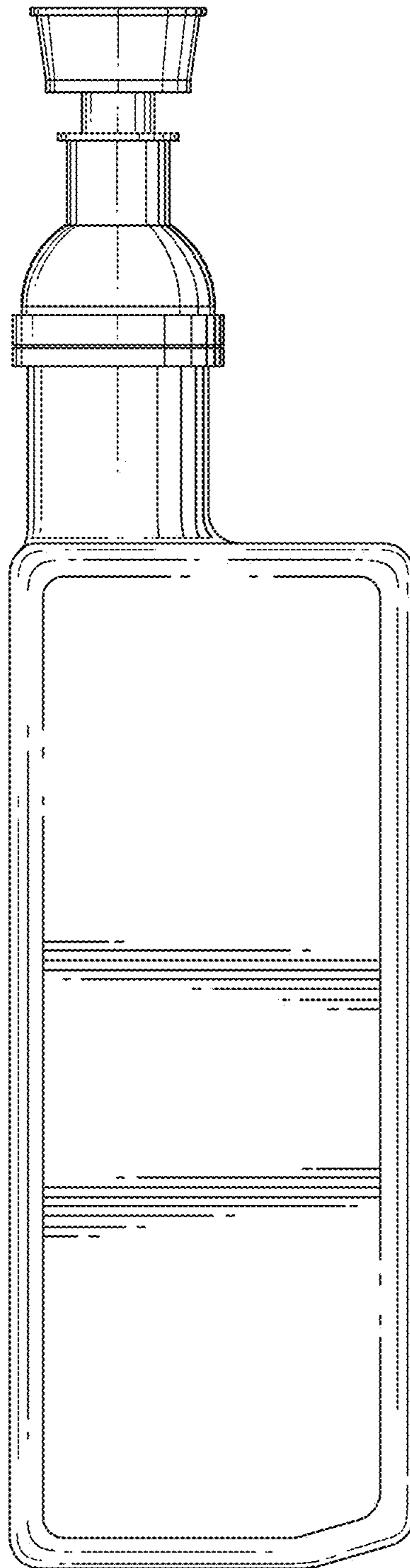


Fig. 4

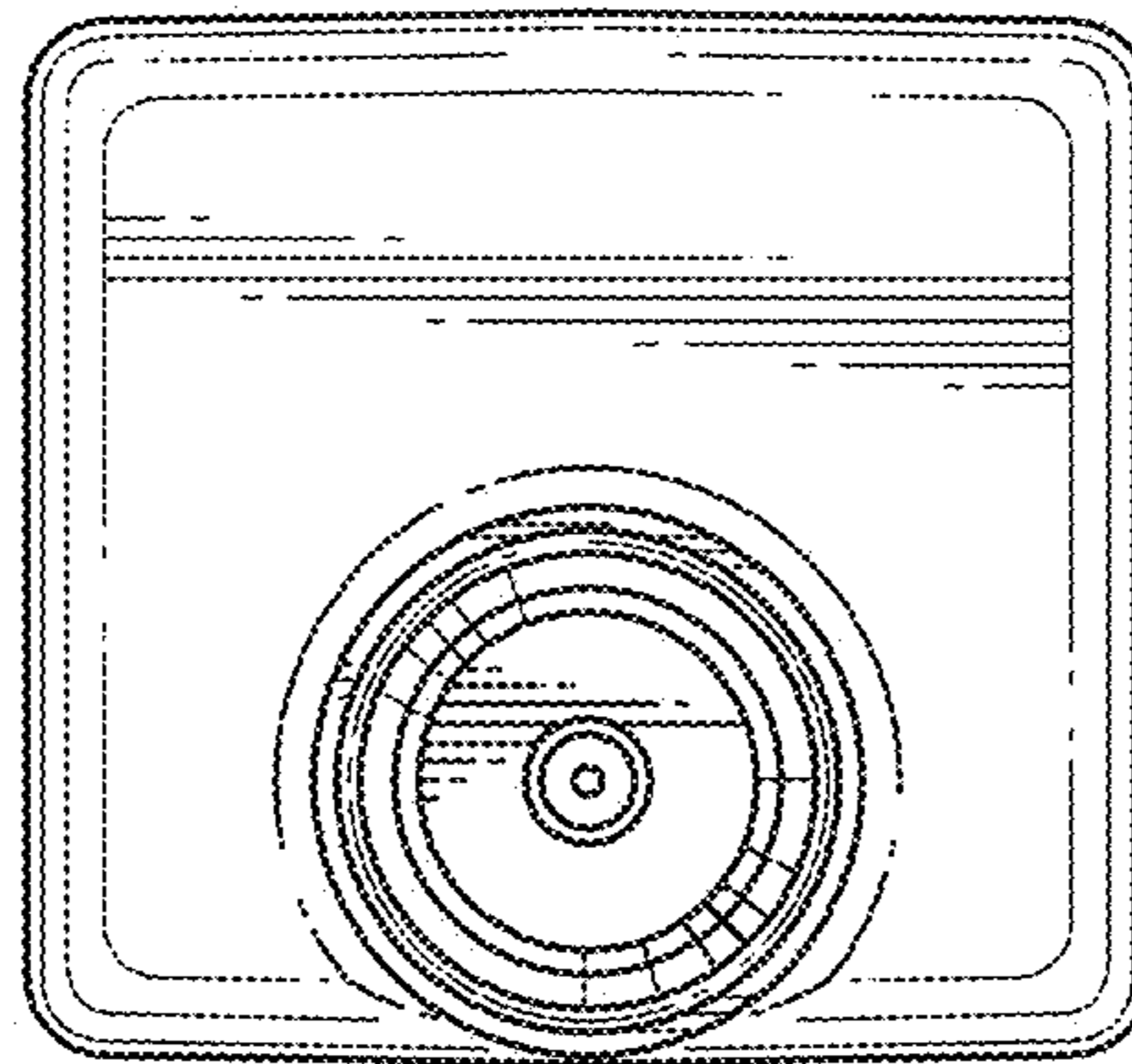


Fig. 5

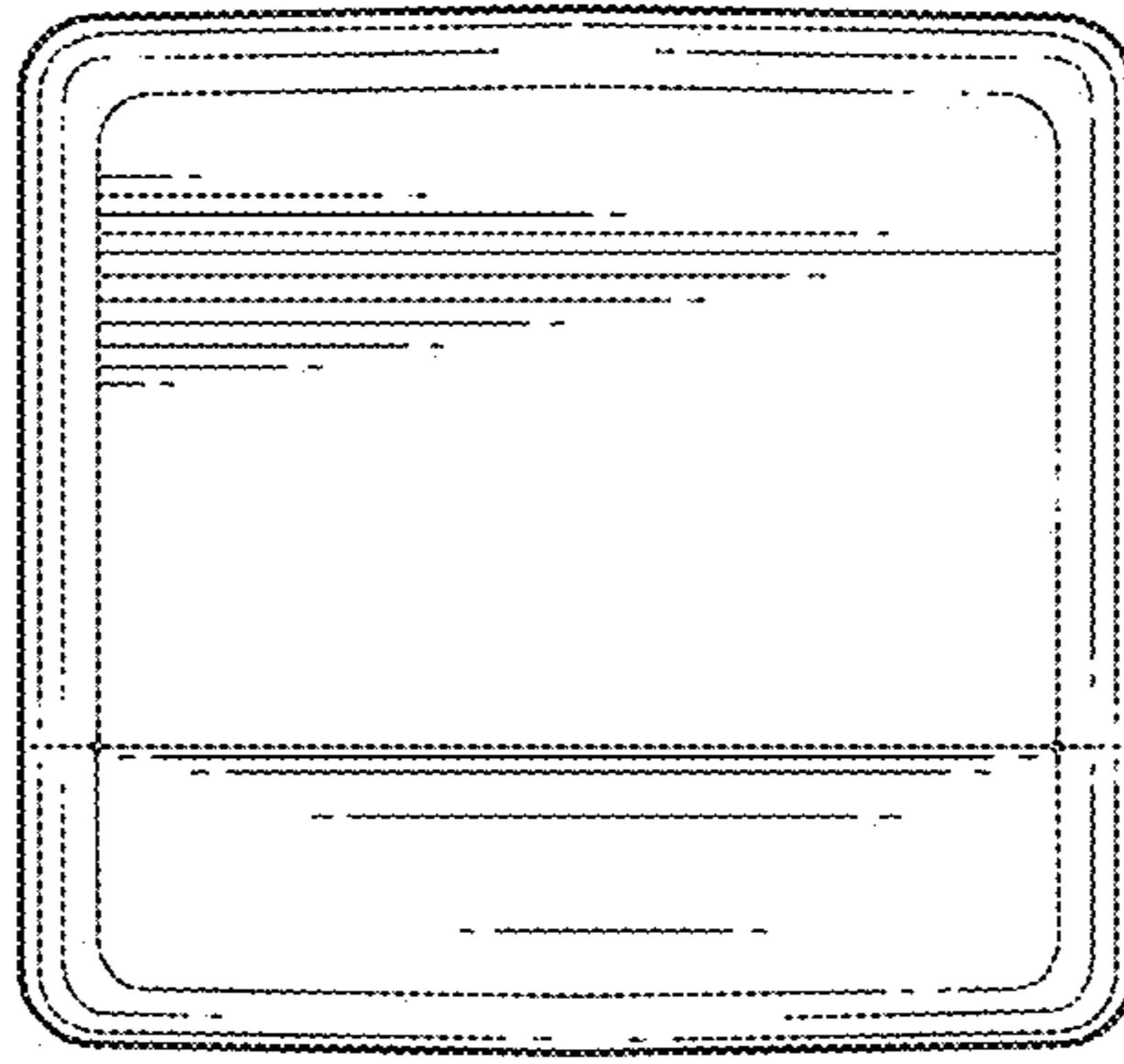


Fig. 6

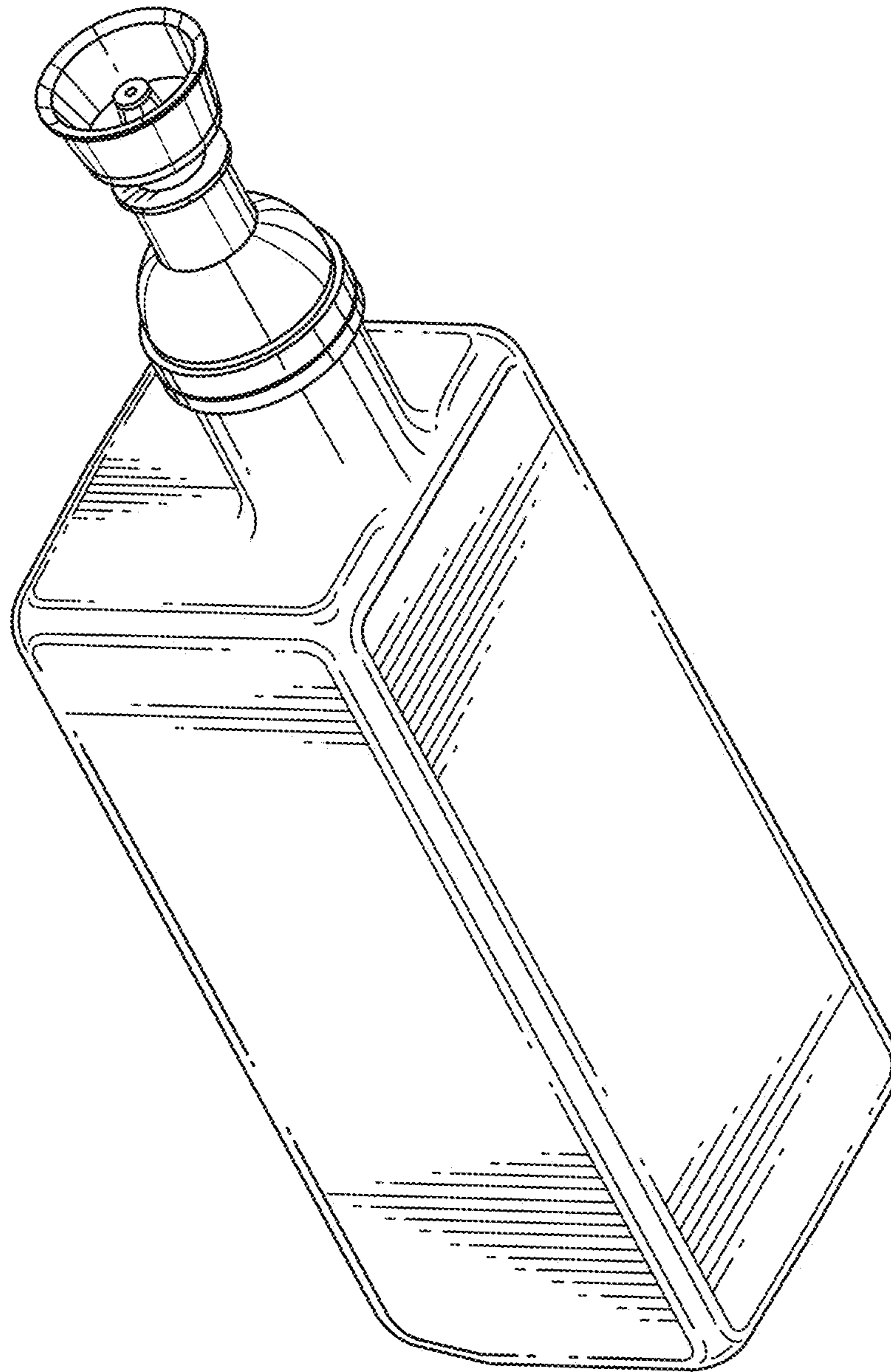


Fig. 7