

US00D736087S

(12) **United States Design Patent**
Birgers

(10) **Patent No.:** **US D736,087 S**

(45) **Date of Patent:** **** Aug. 11, 2015**

(54) **WATCH CONTAINER**

(71) Applicant: **Christopher J Birgers**, Cupertino, CA
(US)

(72) Inventor: **Christopher J Birgers**, Cupertino, CA
(US)

(**) Term: **14 Years**

(21) Appl. No.: **29/473,283**

(22) Filed: **Nov. 20, 2013**

(51) **LOC (10) Cl.** **09-01**

(52) **U.S. Cl.**
USPC **D9/503**; D9/418

(58) **Field of Classification Search**
USPC D9/414, 416, 418, 424, 428, 434–435,
D9/438, 444, 449, 454, 500–505, 516, 518,
D9/549, 558, 715, 721; D1/105; D3/203.2,
D3/203.3, 203.4; D27/102, 127, 133, 172,
D27/183, 186, 189–190; D28/82, 91;
215/258, 363, 379–381; 220/660, 675,
220/796, 801, 805; 206/236, 242, 265–266,
206/270; 229/87.14
CPC B65D 1/00; B65D 1/10; B65D 1/12;
B65D 1/14; B65D 1/16; B65D 1/165; B65D
17/00; B65D 17/02; B65D 17/168; B65D
23/00; B65D 25/00; B65D 39/00; B65D
39/0005; B65D 41/00; B65D 41/02; B65D
41/16; B65D 41/18; B65D 43/00; B65D
43/02; B65D 43/0202; B65D 43/0204

See application file for complete search history.

(56) **References Cited**

U.S. PATENT DOCUMENTS

D24,203 S *	4/1895	Estes	D9/504
D269,148 S *	5/1983	Trkla et al.	D7/608
D272,804 S *	2/1984	Braun	D9/504
D280,975 S *	10/1985	Van Dine	D9/504
D281,673 S *	12/1985	Lampe	D9/529
D282,630 S *	2/1986	Braun	D9/504
D424,719 S *	5/2000	Freeman	D26/20
D433,631 S *	11/2000	Walsh	D9/516
D480,000 S *	9/2003	Hirato	D9/504
D484,644 S *	12/2003	Noh	D28/76
D485,017 S *	1/2004	Noh	D28/76
D486,393 S *	2/2004	Chuang	D9/503
D587,108 S *	2/2009	Maslowski	D9/424
D619,896 S *	7/2010	Iwazu et al.	D9/504
D635,015 S *	3/2011	McKenzie	D9/416
D691,888 S *	10/2013	Mettler et al.	D9/504

* cited by examiner

Primary Examiner — Dana L Meyrow
(74) *Attorney, Agent, or Firm* — Kolisch Hartwell, PC

(57) **CLAIM**

I claim the ornamental design for a watch container, as shown and described.

DESCRIPTION

FIG. 1 is a top front perspective view of a watch container.
FIG. 2 is a side elevational view thereof.
FIG. 3 is a front elevational view thereof.
FIG. 4 is a rear elevational view thereof.
FIG. 5 is a top plan view thereof; and,
FIG. 6 is a bottom plan view thereof.
The broken or dashed lines shown in the drawings are for illustrative purposes only and form no part of the claimed design.

1 Claim, 3 Drawing Sheets

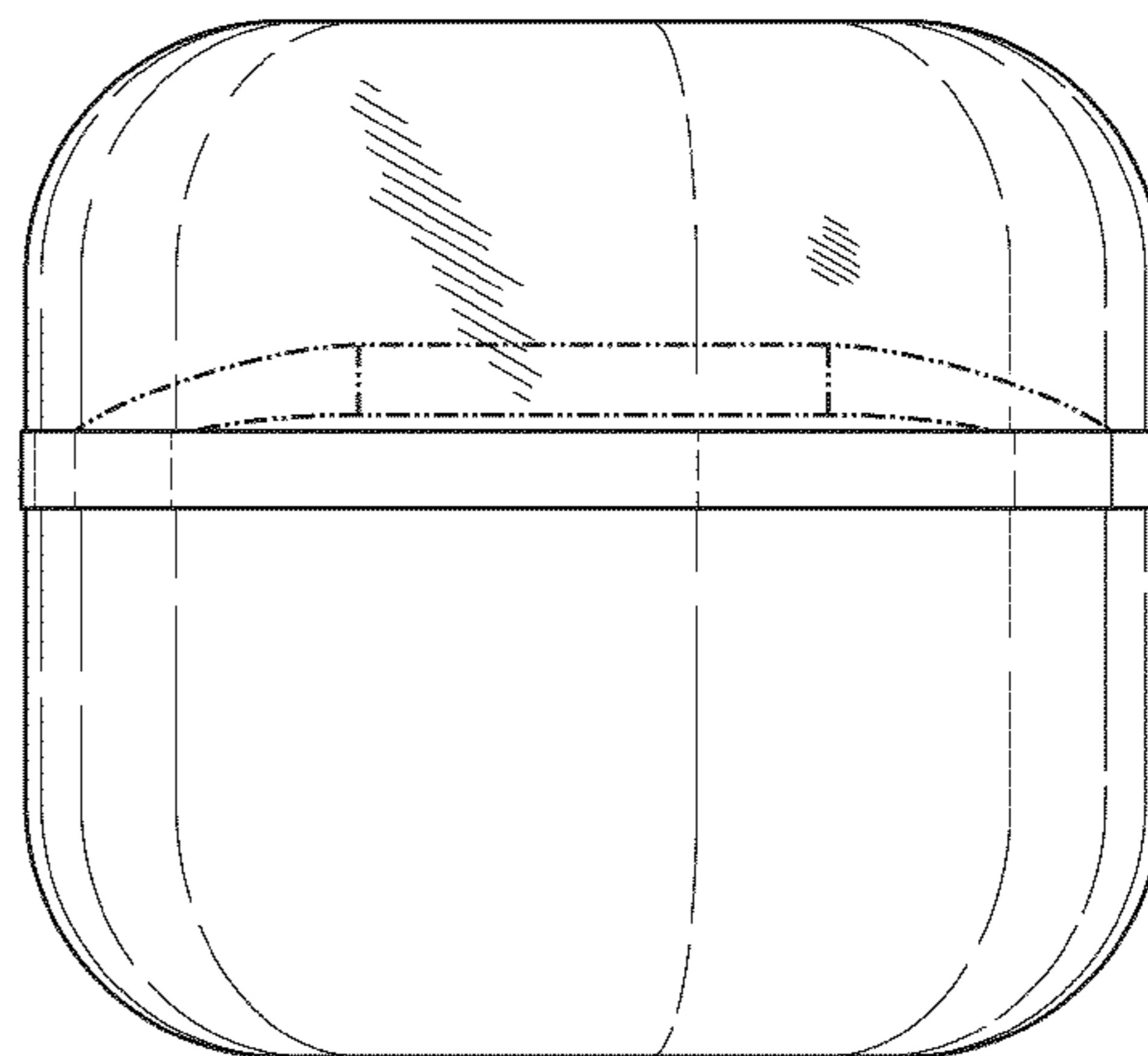
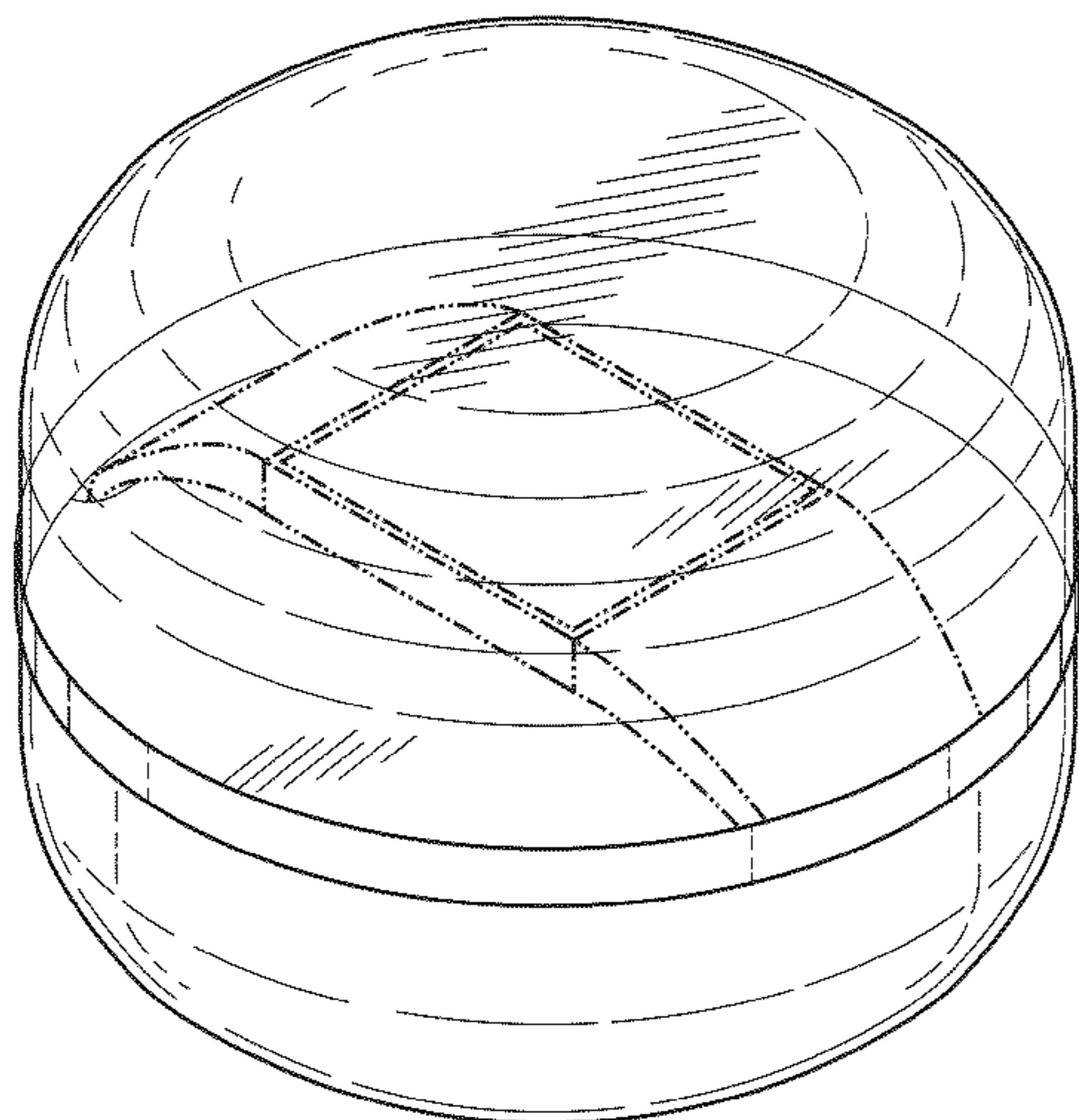


Fig. 1

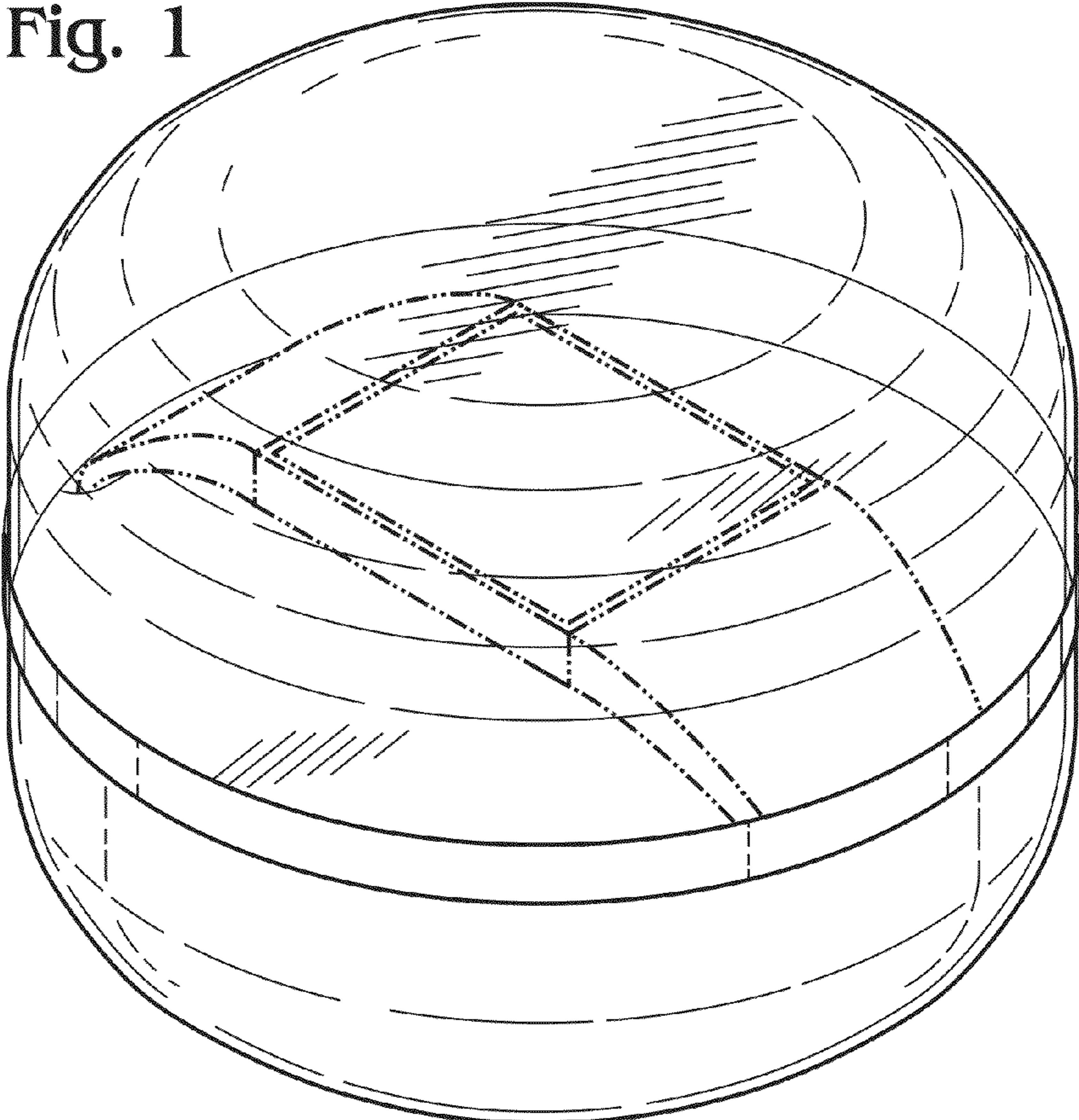


Fig. 2

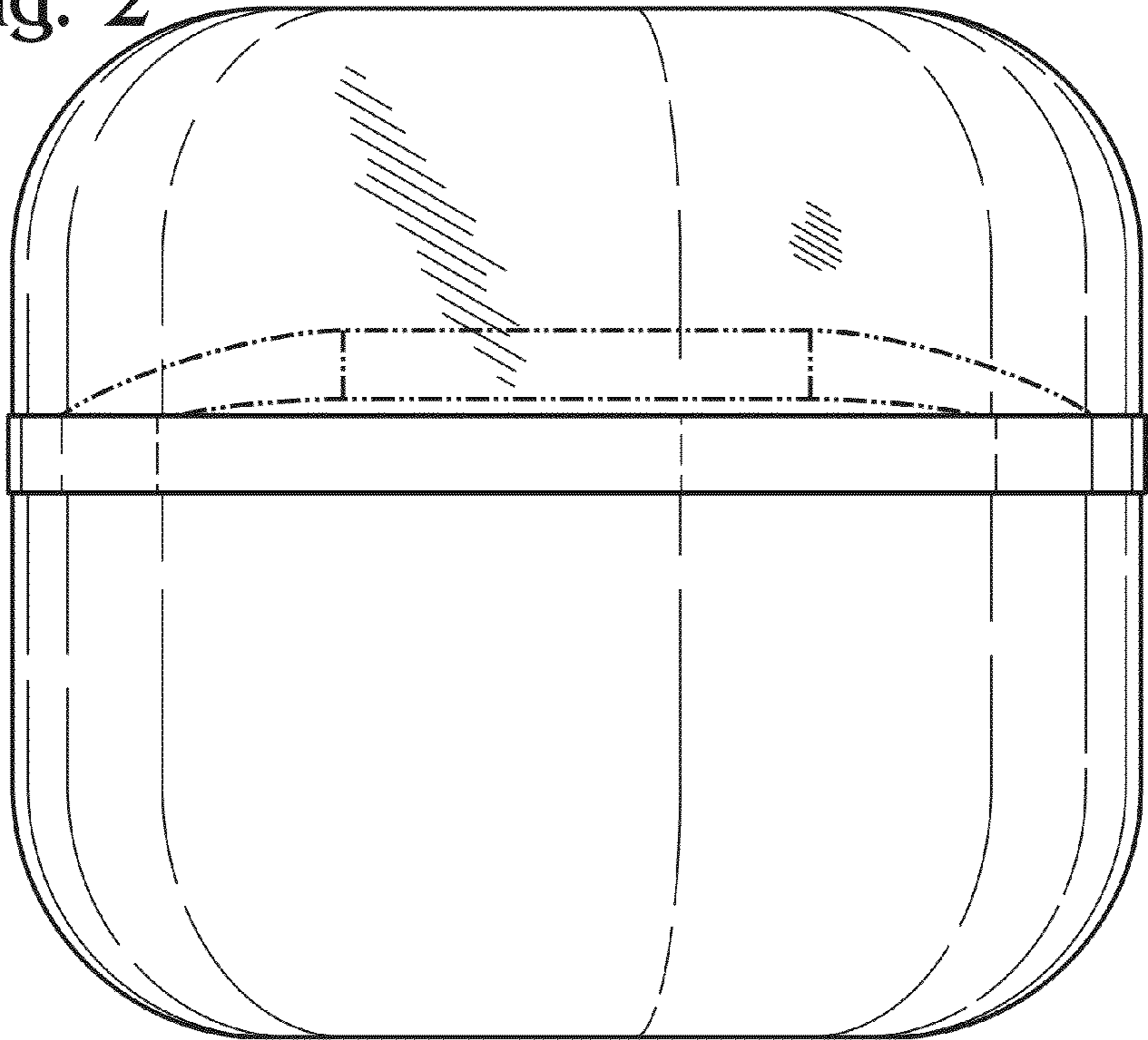


Fig. 3

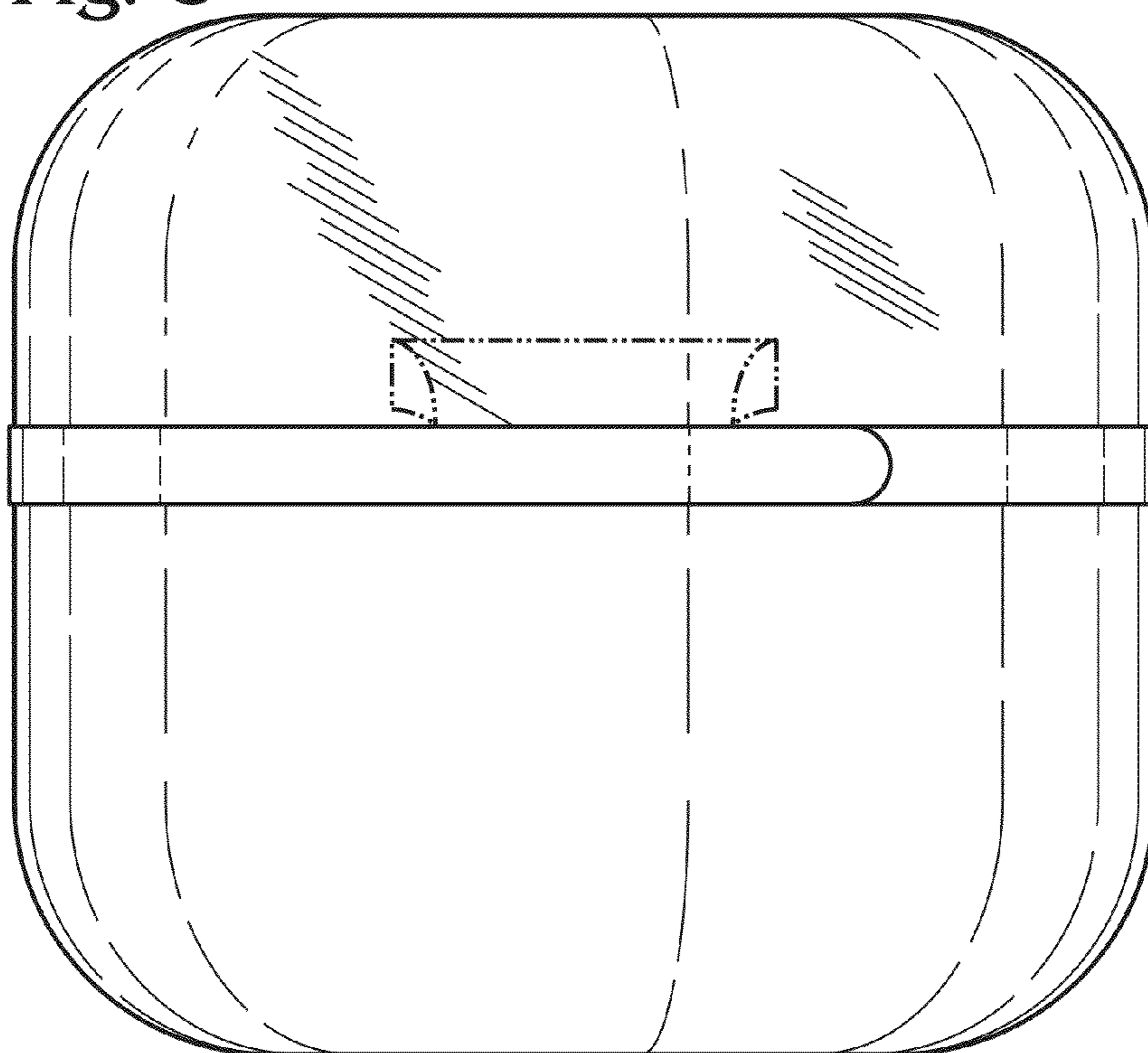


Fig. 4

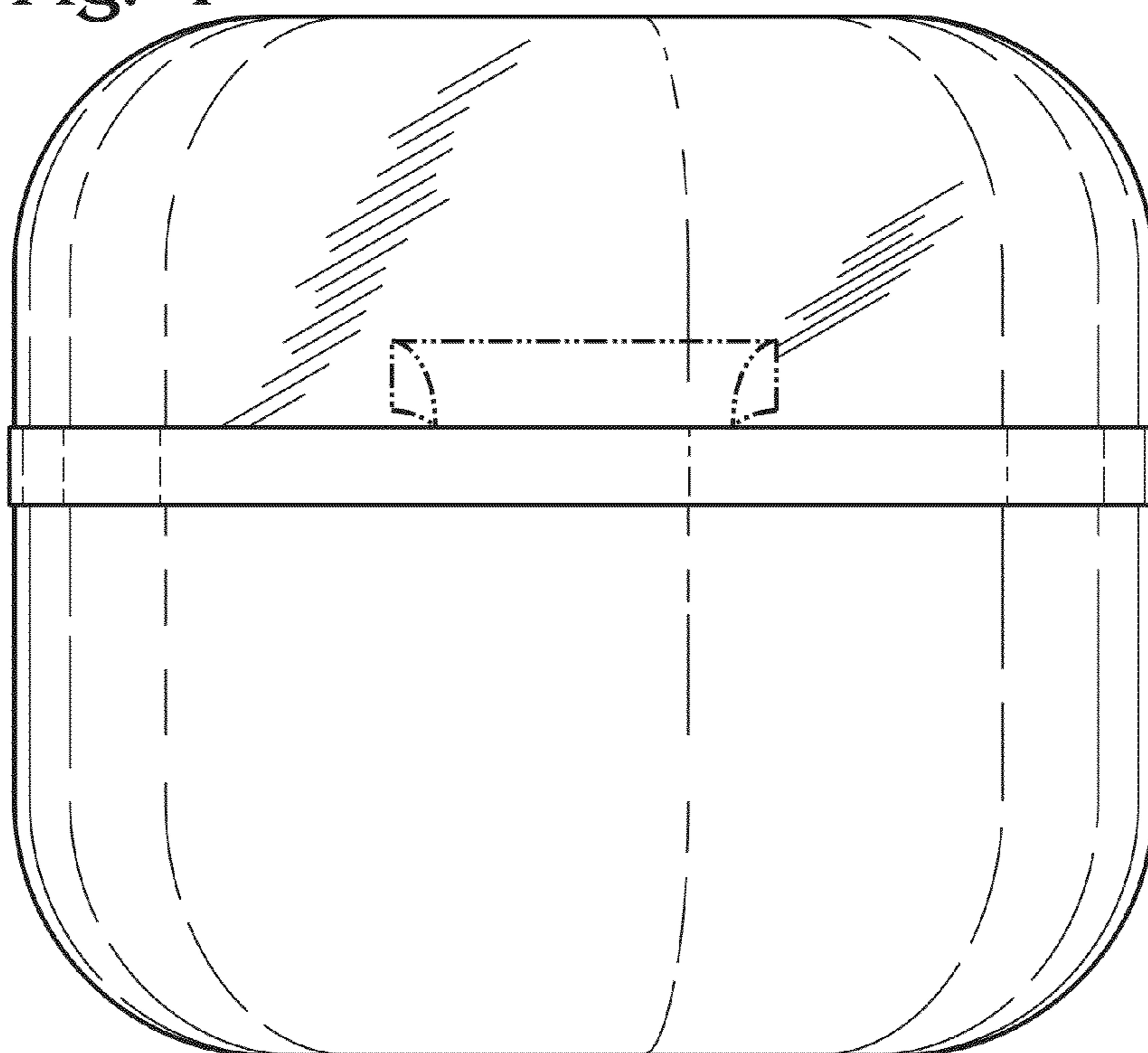


Fig. 5

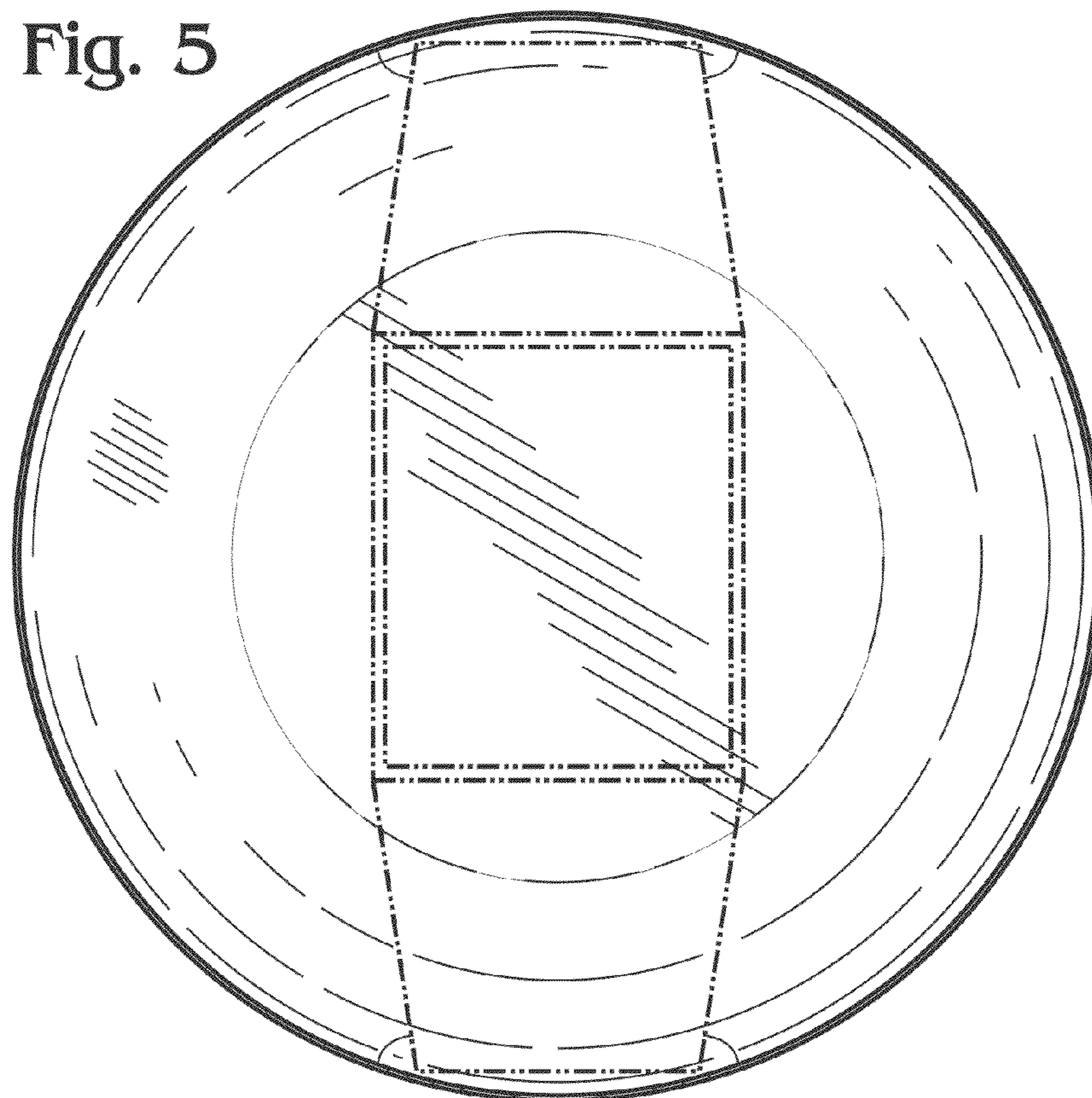


Fig. 6

