



US00D736084S

(12) **United States Design Patent**  
**Carmona**

(10) **Patent No.:** **US D736,084 S**

(45) **Date of Patent:** **\*\* Aug. 11, 2015**

(54) **CARTON CADDY**

(71) Applicant: **Edward Carmona**, Costa Mesa, CA  
(US)

(72) Inventor: **Edward Carmona**, Costa Mesa, CA  
(US)

(\*\*) Term: **14 Years**

(21) Appl. No.: **29/479,324**

(22) Filed: **Jan. 14, 2014**

(51) **LOC (10) Cl.** ..... **09-07**

(52) **U.S. Cl.**  
USPC ..... **D9/455**

(58) **Field of Classification Search**  
USPC ..... D9/434, 435, 455, 499; D7/602;  
D6/317, 566; D3/315, 316; 220/737  
CPC .. A47G 23/02; A47G 23/025; A47G 23/0258  
See application file for complete search history.

(56) **References Cited**

**U.S. PATENT DOCUMENTS**

996,421	A *	6/1911	McCausland	.....	211/51
D158,645	S *	5/1950	Brown	.....	D7/409
2,755,977	A *	7/1956	Malcolm	.....	220/741
2,888,172	A *	5/1959	O'Brian	.....	222/79
4,290,529	A *	9/1981	Jones et al.	.....	211/60.1

D264,651	S *	6/1982	Adamson	.....	D6/566
D319,124	S *	8/1991	Harjung	.....	D34/5
D361,206	S *	8/1995	Stanley	.....	D3/306
D474,943	S *	5/2003	Olsen	.....	D3/315
D476,170	S *	6/2003	Johnson	.....	D6/675.1
D570,201	S *	6/2008	Decker et al.	.....	D8/380
D697,673	S *	1/2014	Wright	.....	D28/73

\* cited by examiner

*Primary Examiner* — Robert M Spear

(74) *Attorney, Agent, or Firm* — Paul D. Chancellor; Ocean Law

(57) **CLAIM**

The ornamental design for a carton carrier, as shown and described.

**DESCRIPTION**

FIG. 1 is a front perspective view of the carton caddy showing our new design;

FIG. 2 is a front view thereof;

FIG. 3 is a rear/back view thereof;

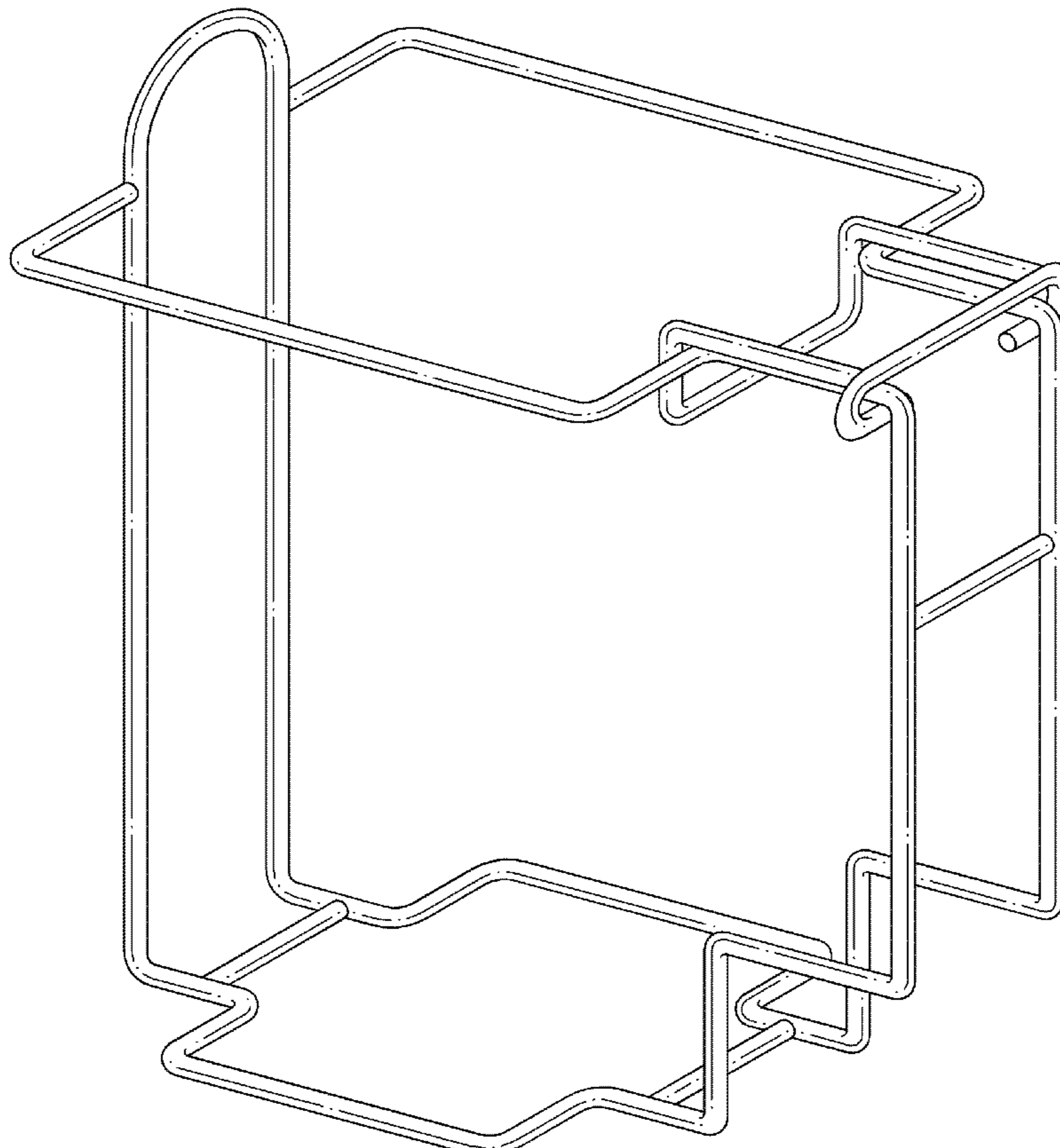
FIG. 4 is a right view thereof;

FIG. 5 is a left view thereof;

FIG. 6 is a top view thereof; and,

FIG. 7 is a bottom view thereof.

**1 Claim, 5 Drawing Sheets**



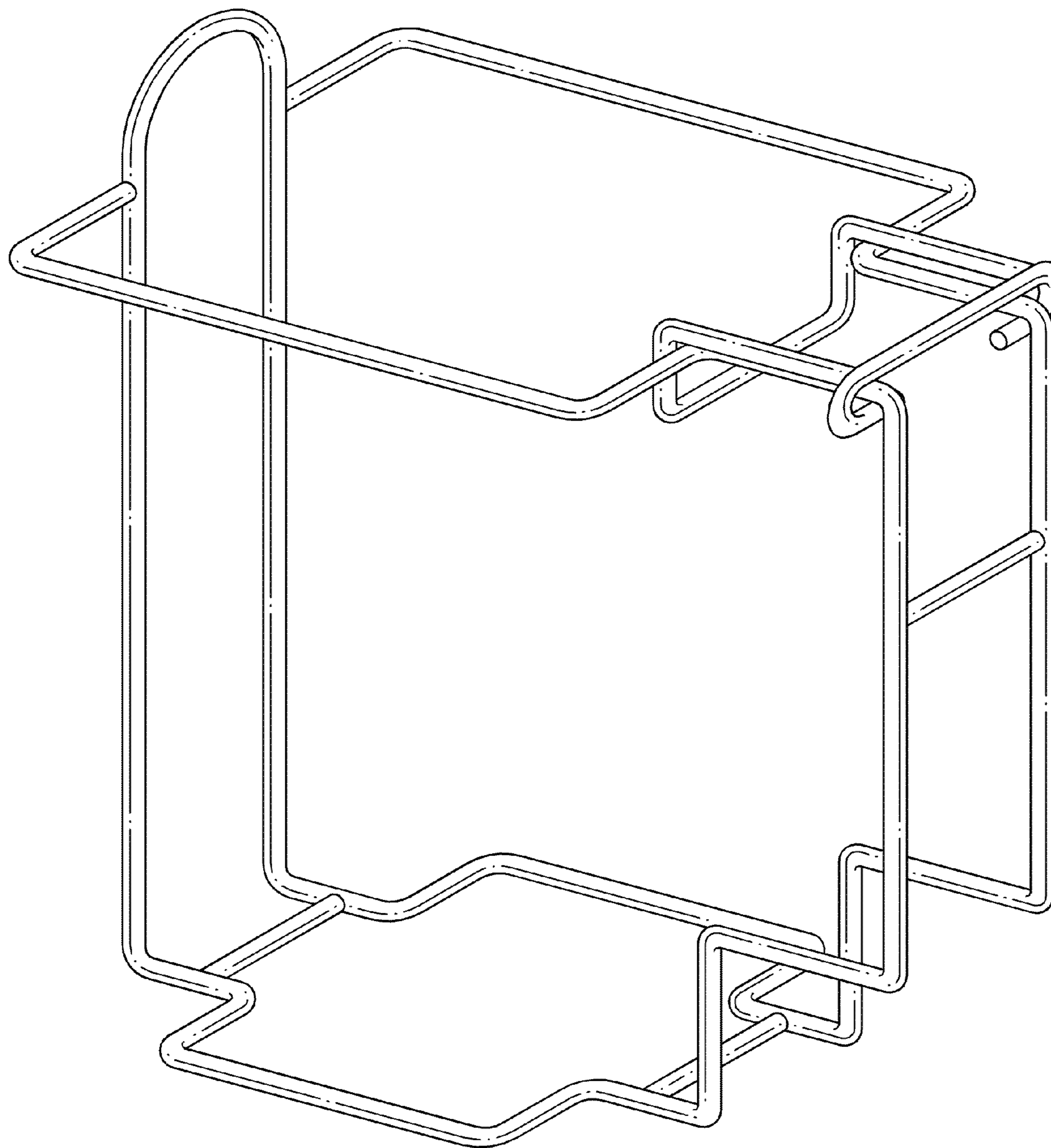


FIG. 1

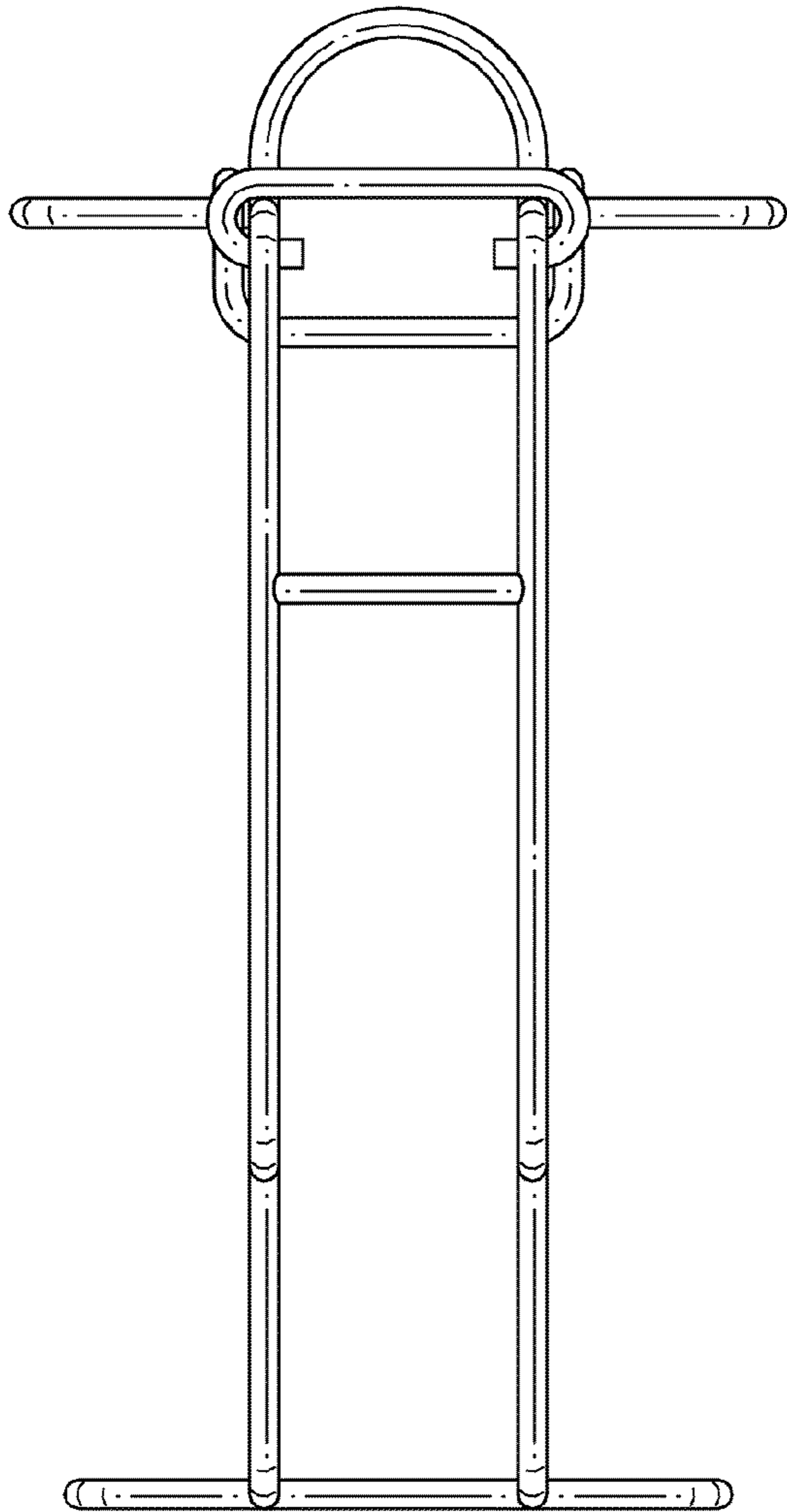


FIG. 2

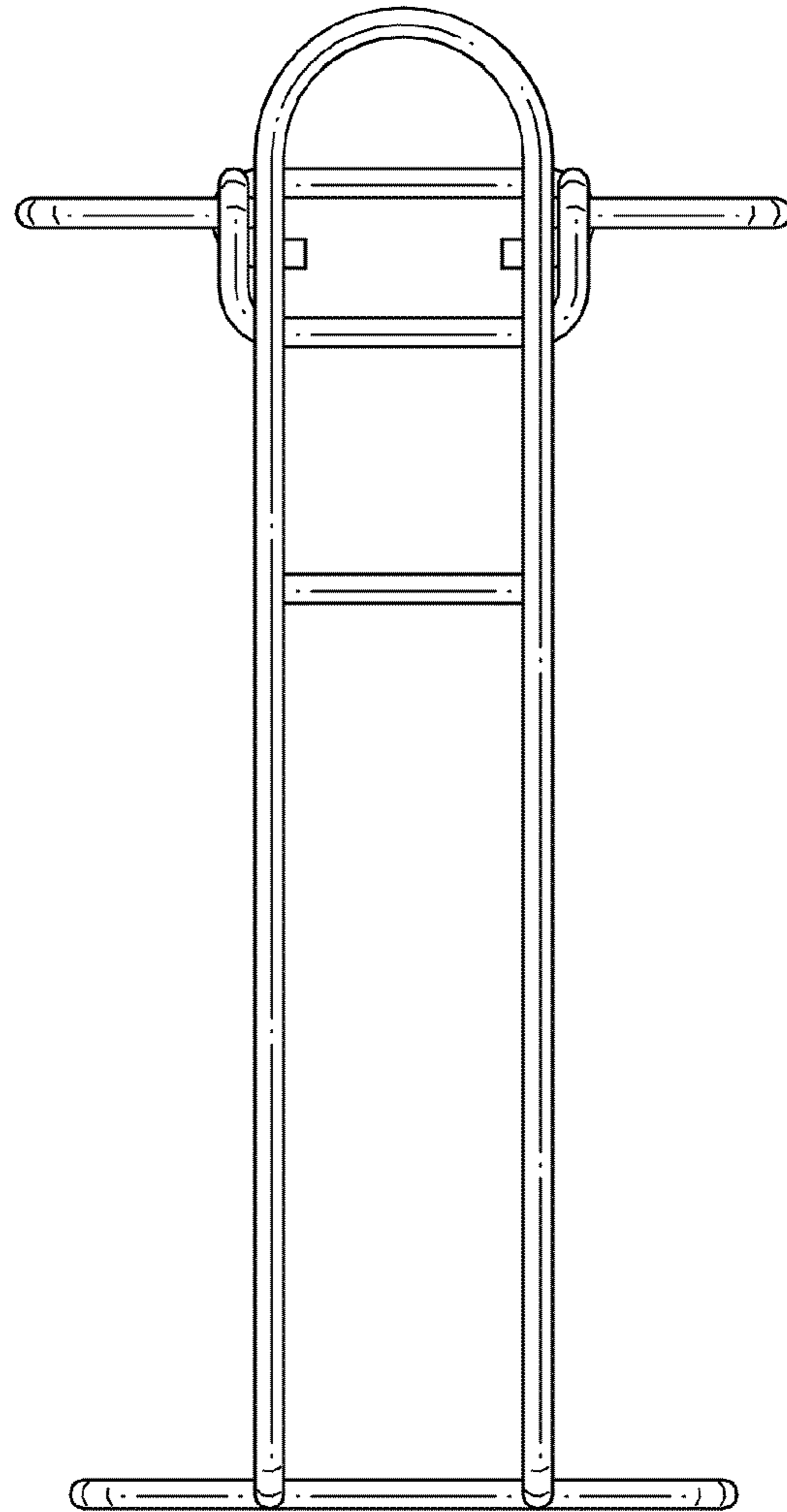


FIG. 3

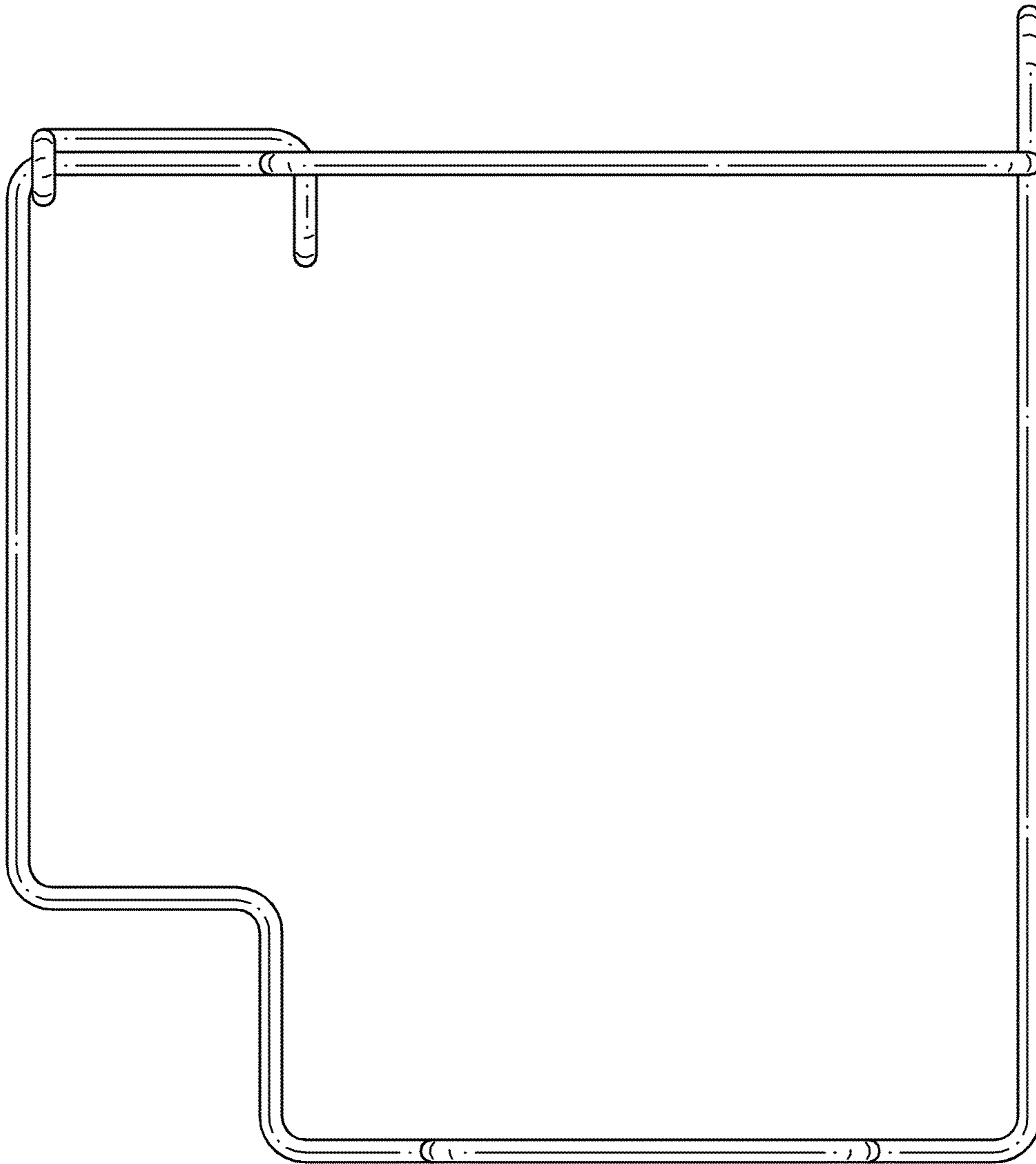


FIG. 4

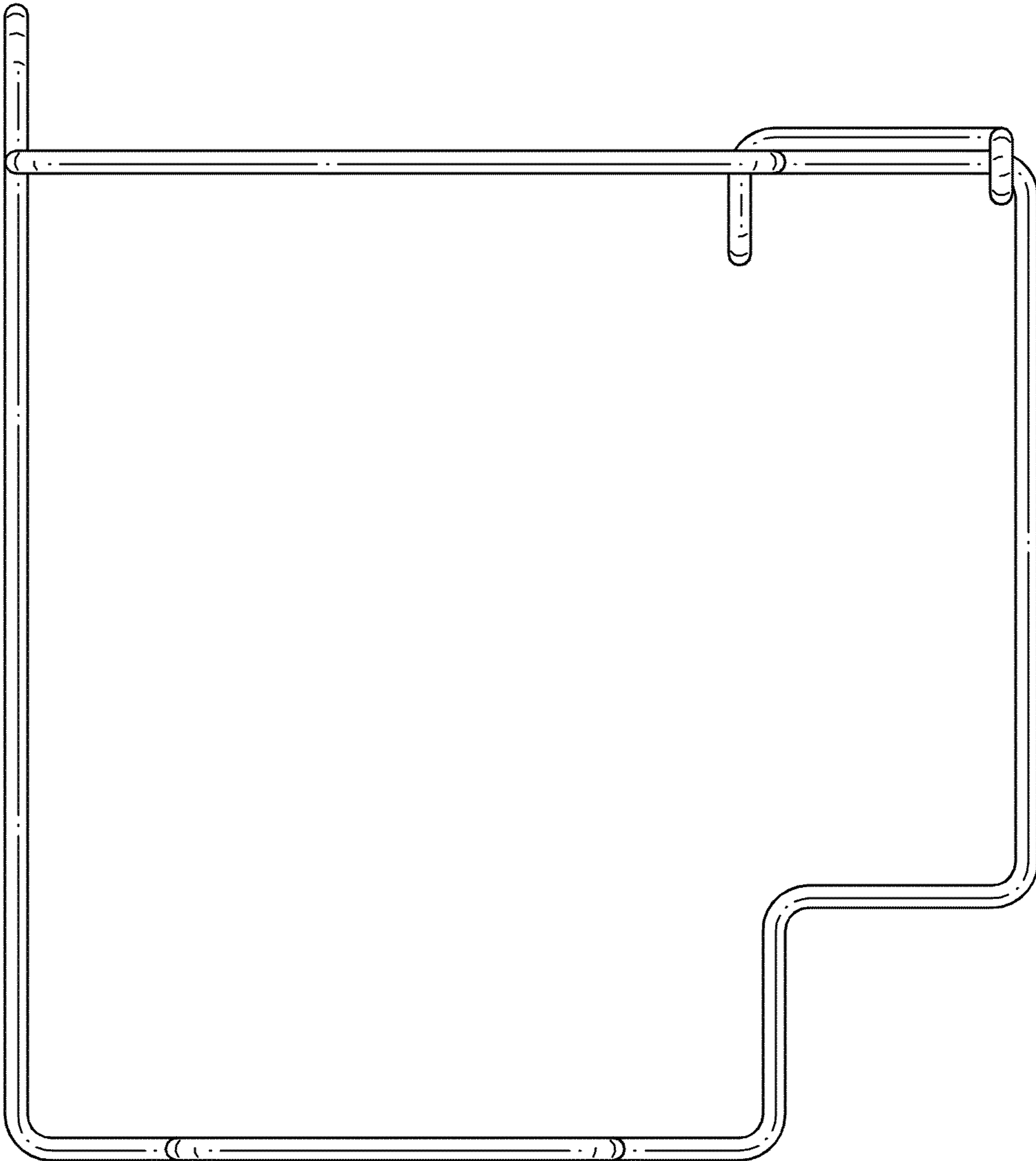


FIG. 5

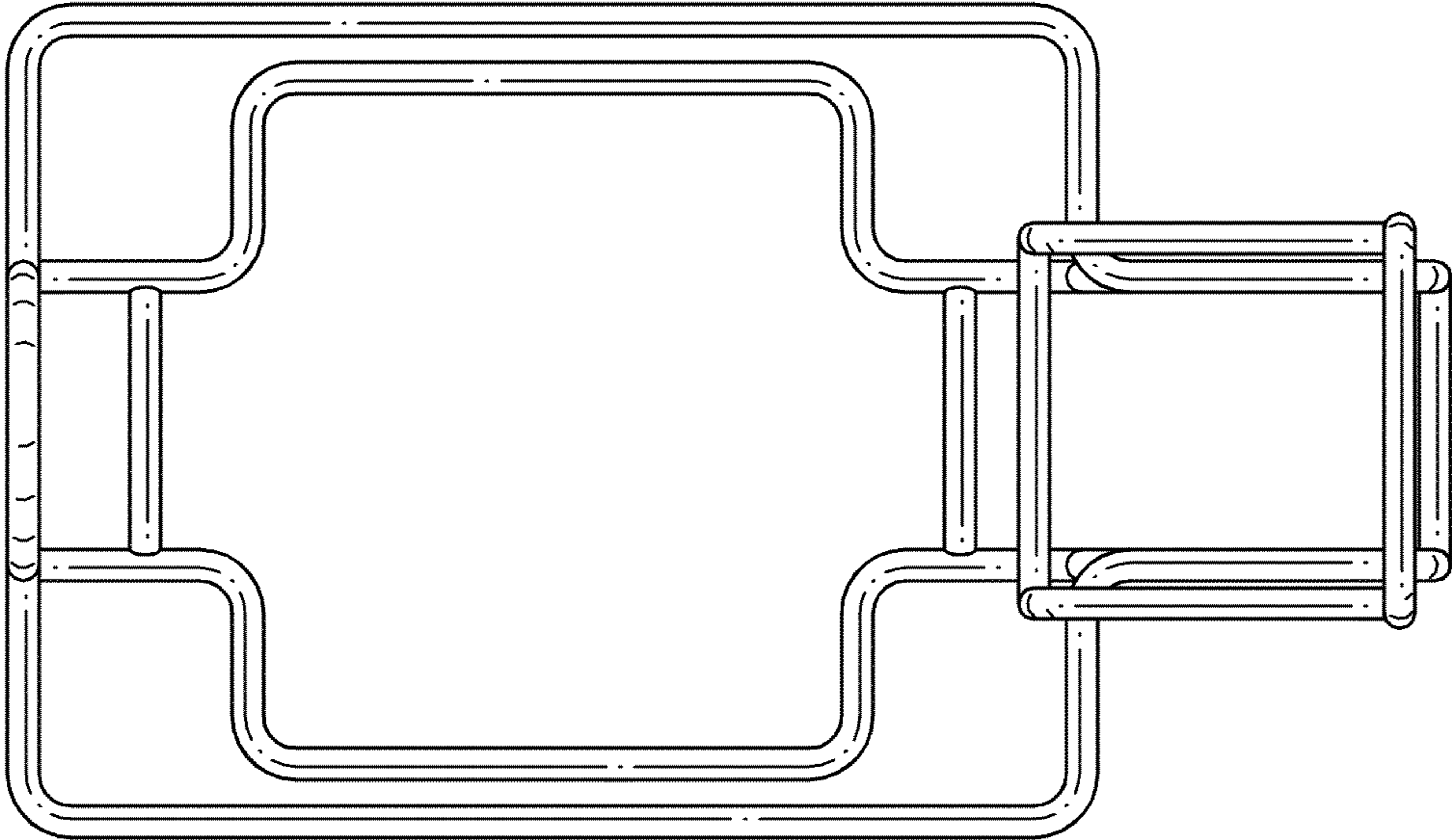


FIG. 6

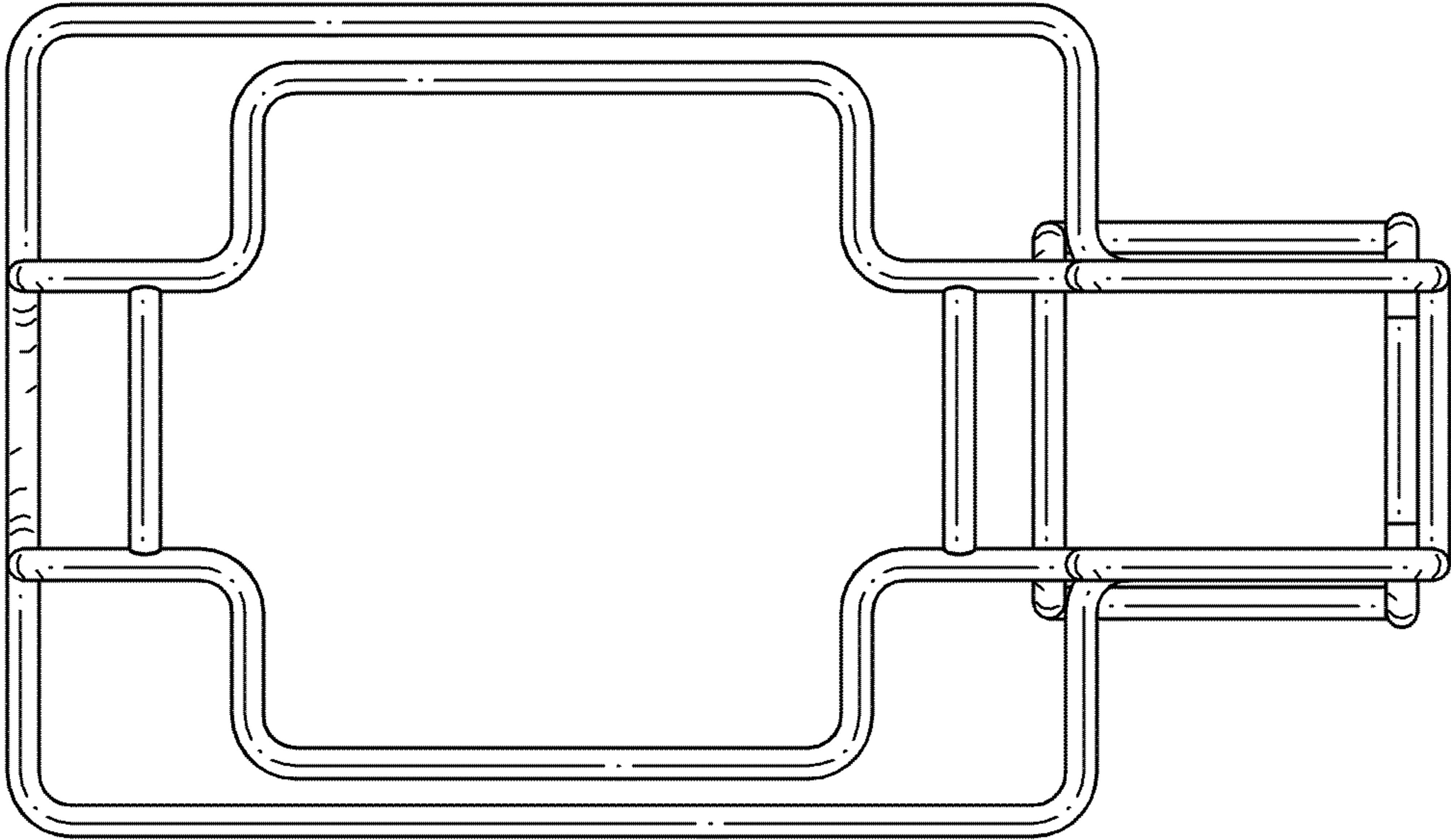


FIG. 7