



US00D736083S

(12) **United States Design Patent**  
**Hager**

(10) **Patent No.:** **US D736,083 S**  
(45) **Date of Patent:** **\*\* Aug. 11, 2015**

(54) **INDUSTRIAL TRIGGER SPRAYER SHROUD**

(71) Applicant: **MeadWestvaco Calmar, Inc.**,  
Richmond, VA (US)

(72) Inventor: **Sheila D. Hager**, St. Peters, MO (US)

(73) Assignee: **MeadWestvaco Calmar, Inc.**,  
Richmond, VA (US)

(\*\*) Term: **14 Years**

(21) Appl. No.: **29/471,722**

(22) Filed: **Nov. 4, 2013**

**Related U.S. Application Data**

(63) Continuation of application No.  
PCT/US2013/023550, filed on Jan. 29, 2013.

(51) **LOC (10) Cl.** ..... **09-07**

(52) **U.S. Cl.**  
USPC ..... **D9/448**

(58) **Field of Classification Search**  
USPC ..... D7/300, 321, 392.1, 396.1, 396.2, 500,  
D7/507, 509, 510, 511, 900; D9/434-455,  
D9/524, 682, 685, 694, 695, 697, 723;  
D28/63, 76; 215/200, 235, 236, 252,  
215/254, 329, 355-364;  
220/203.04-203.07, 220, 254.1, 254.4,  
220/556, 703-705

See application file for complete search history.

(56) **References Cited**

**U.S. PATENT DOCUMENTS**

D89,939 S 5/1933 Soper  
D93,455 S 10/1934 Conner  
D102,174 S 12/1936 Wilmet  
D202,228 S 9/1965 Vuilleminot  
3,474,938 A 10/1969 Clevenger  
D219,806 S 2/1971 Coleman  
D226,712 S 4/1973 Tada

D292,381 S 10/1987 Kowollik et al.  
D373,313 S 9/1996 Lin  
D406,762 S \* 3/1999 Durliat ..... D9/448  
D428,811 S 8/2000 Spengler  
D447,415 S 9/2001 Spengler  
D451,388 S 12/2001 Spengler  
D475,294 S 6/2003 Foster et al.  
D486,386 S \* 2/2004 Maras et al. .... D9/685  
D523,337 S 6/2006 Yang  
D569,248 S \* 5/2008 Seum et al. .... D9/448

(Continued)

**FOREIGN PATENT DOCUMENTS**

WO 2013116187 8/2013

**OTHER PUBLICATIONS**

PCT International Search Report of the International Searching  
Authority for PCT/US2013/023550, dated Apr. 9, 2013, 3 pages.

*Primary Examiner* — Robert M Spear

*Assistant Examiner* — Marissa J Cash

(74) *Attorney, Agent, or Firm* — MeadWestvaco Intellectual  
Property Group

(57) **CLAIM**

The ornamental design for an industrial trigger sprayer  
shroud, as shown and described.

**DESCRIPTION**

FIG. 1 is a perspective view of an industrial trigger sprayer  
shroud showing the new design;

FIG. 2 is a back perspective view of the new design;

FIG. 3 is a left view of the new design;

FIG. 4 is a right view of the new design;

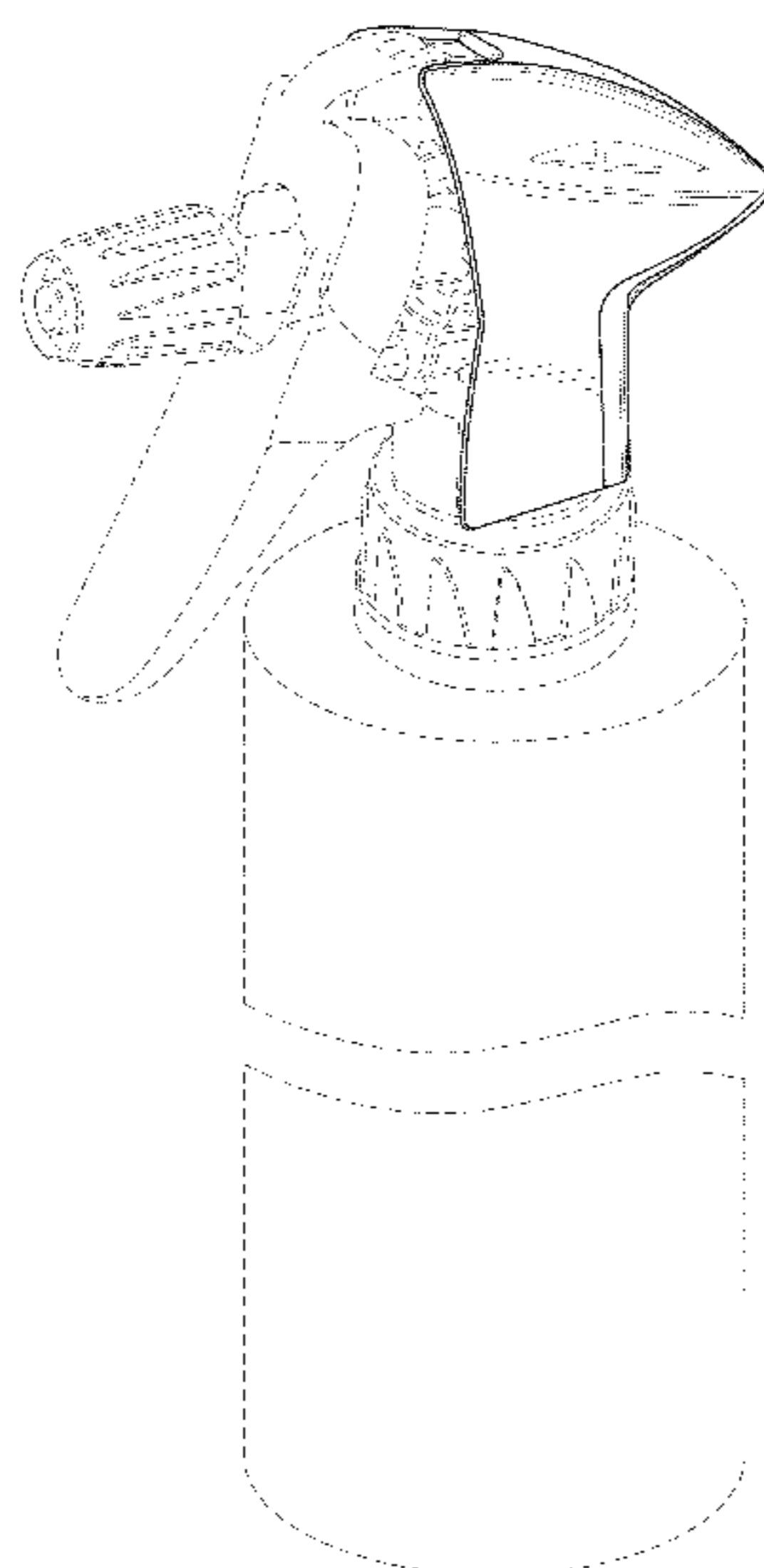
FIG. 5 is a front view of the new design;

FIG. 6 is a back view of the new design; and,

FIG. 7 is a top view of the new design.

The broken-lines in the drawings represent unclaimed envi-  
ronmental subject matter and form no part of the claim.

**1 Claim, 4 Drawing Sheets**



(56)

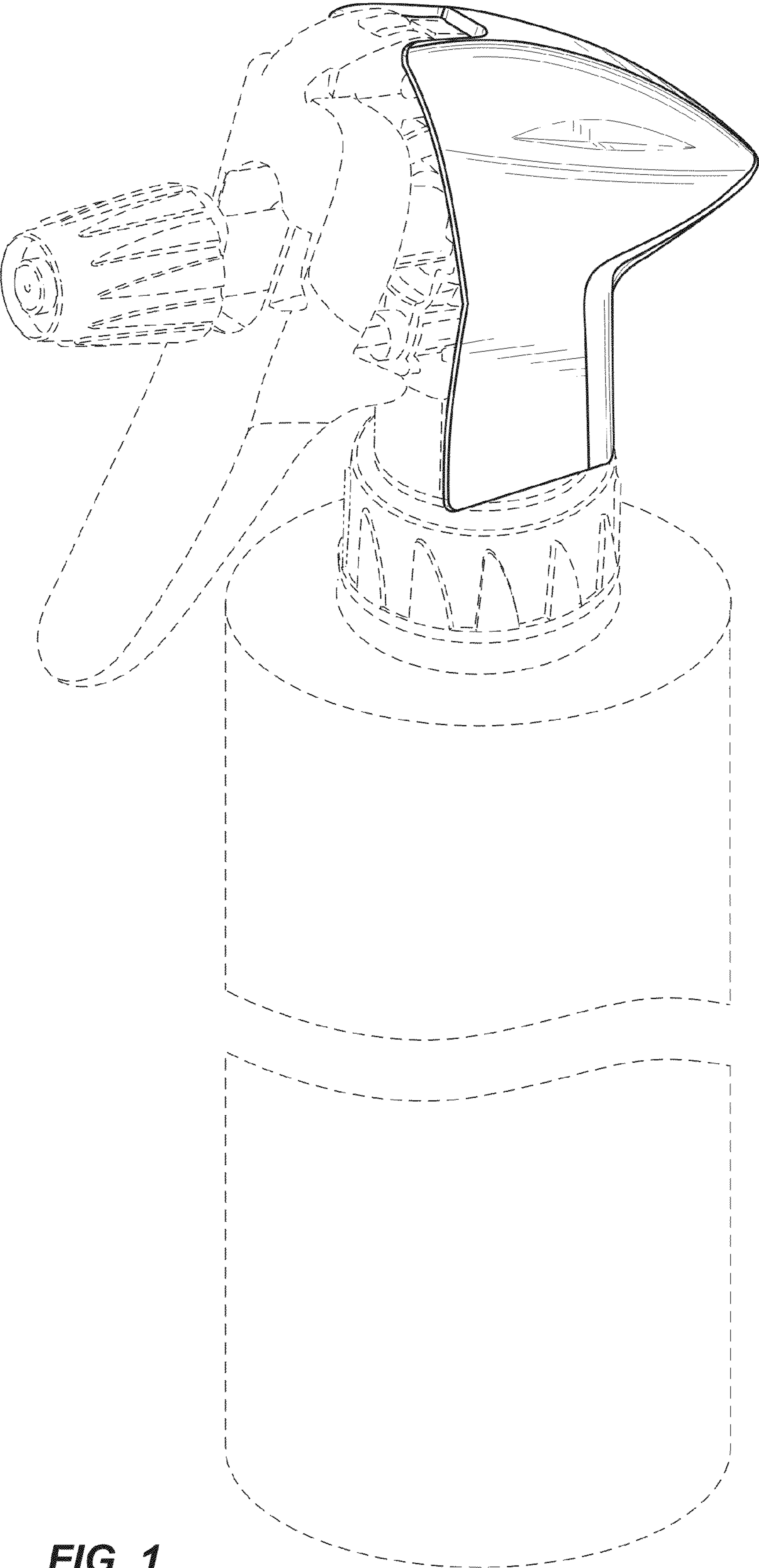
**References Cited**

U.S. PATENT DOCUMENTS

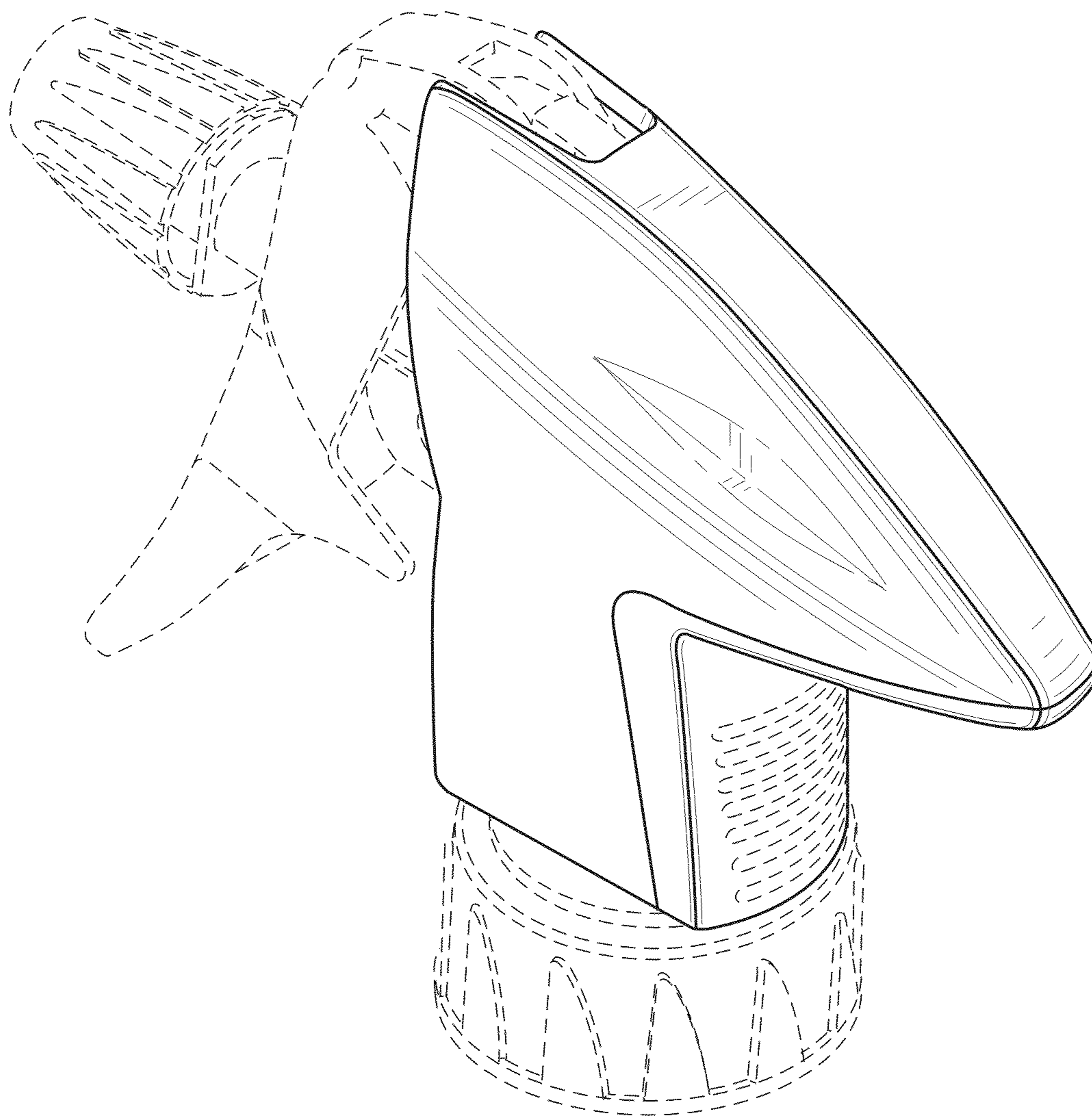
D588,454 S \* 3/2009 Sweeton et al. .... D9/448  
D601,896 S \* 10/2009 Buogo et al. .... D9/448  
7,677,416 B2 3/2010 Foster et al.  
D625,187 S 10/2010 McCay et al.  
D632,175 S 2/2011 Tu  
D637,080 S 5/2011 Brooks

D653,540 S \* 2/2012 Sweeton ..... D9/448  
D692,775 S \* 11/2013 Burgeson ..... D9/742  
D702,122 S \* 4/2014 Rech ..... D9/448  
D703,047 S \* 4/2014 Sweeton ..... D9/448  
D705,649 S \* 5/2014 Sweeton ..... D9/434  
D705,653 S \* 5/2014 Sweeton ..... D9/449  
D715,153 S 10/2014 Hansen  
D715,648 S 10/2014 Kistler

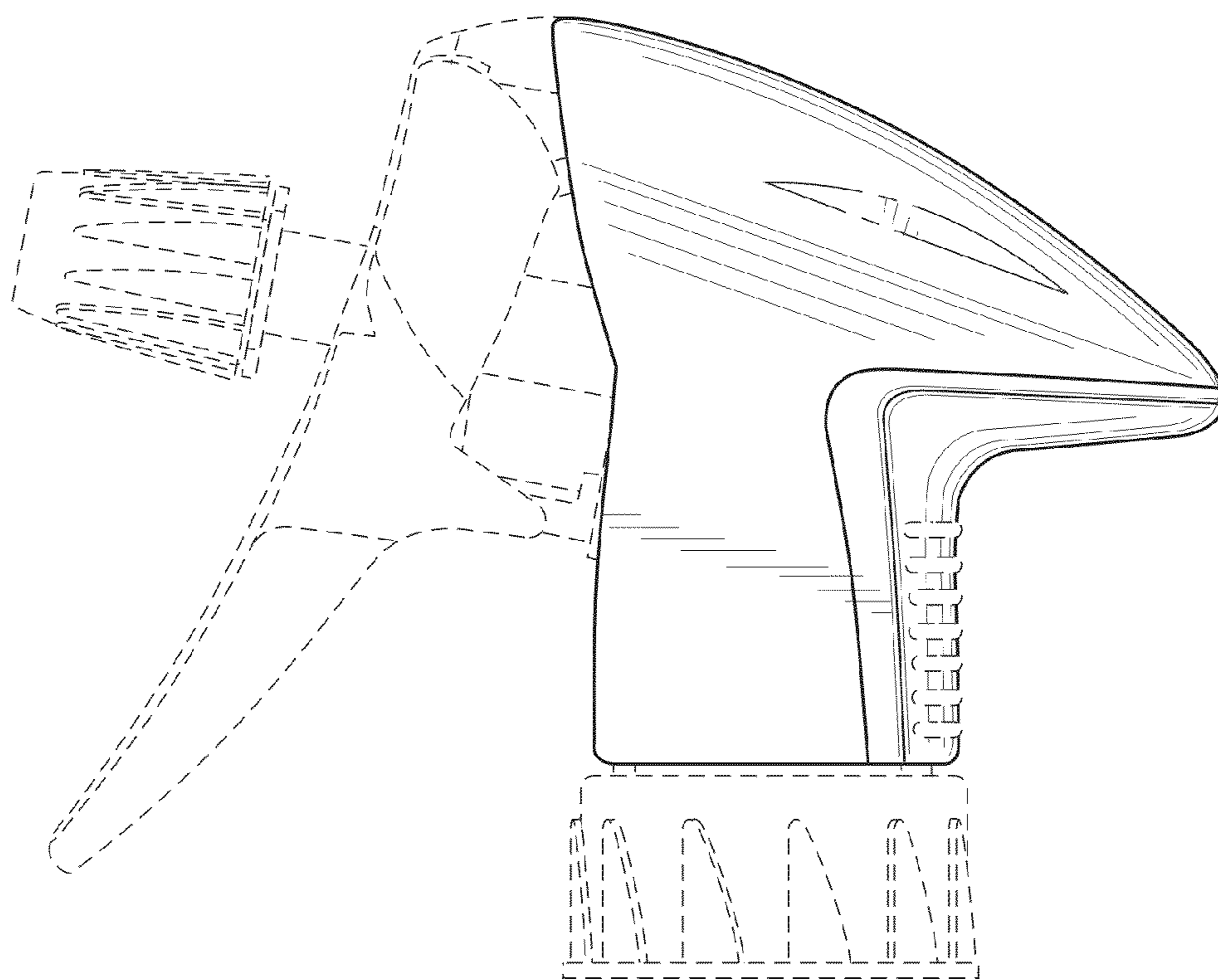
\* cited by examiner



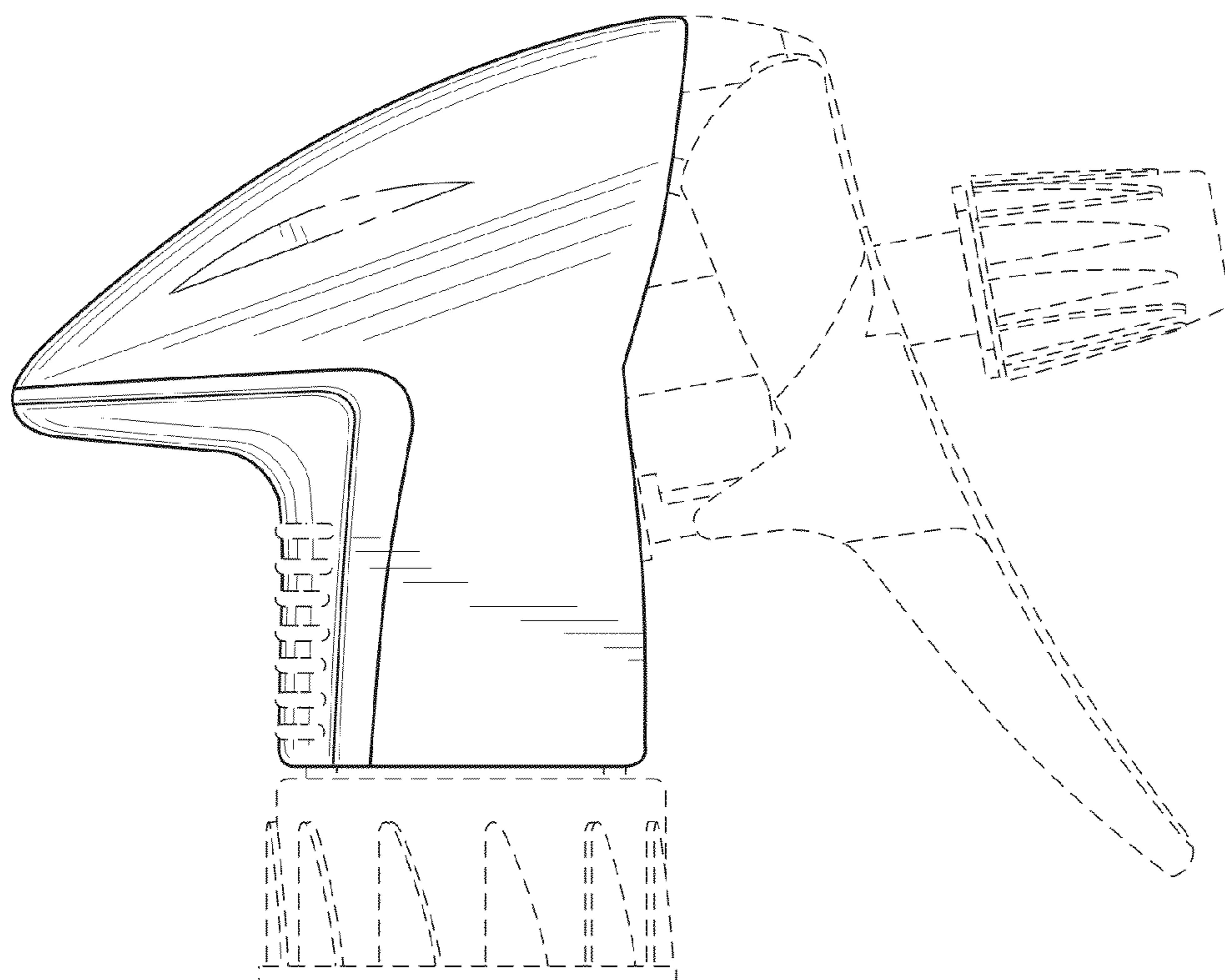
**FIG. 1**



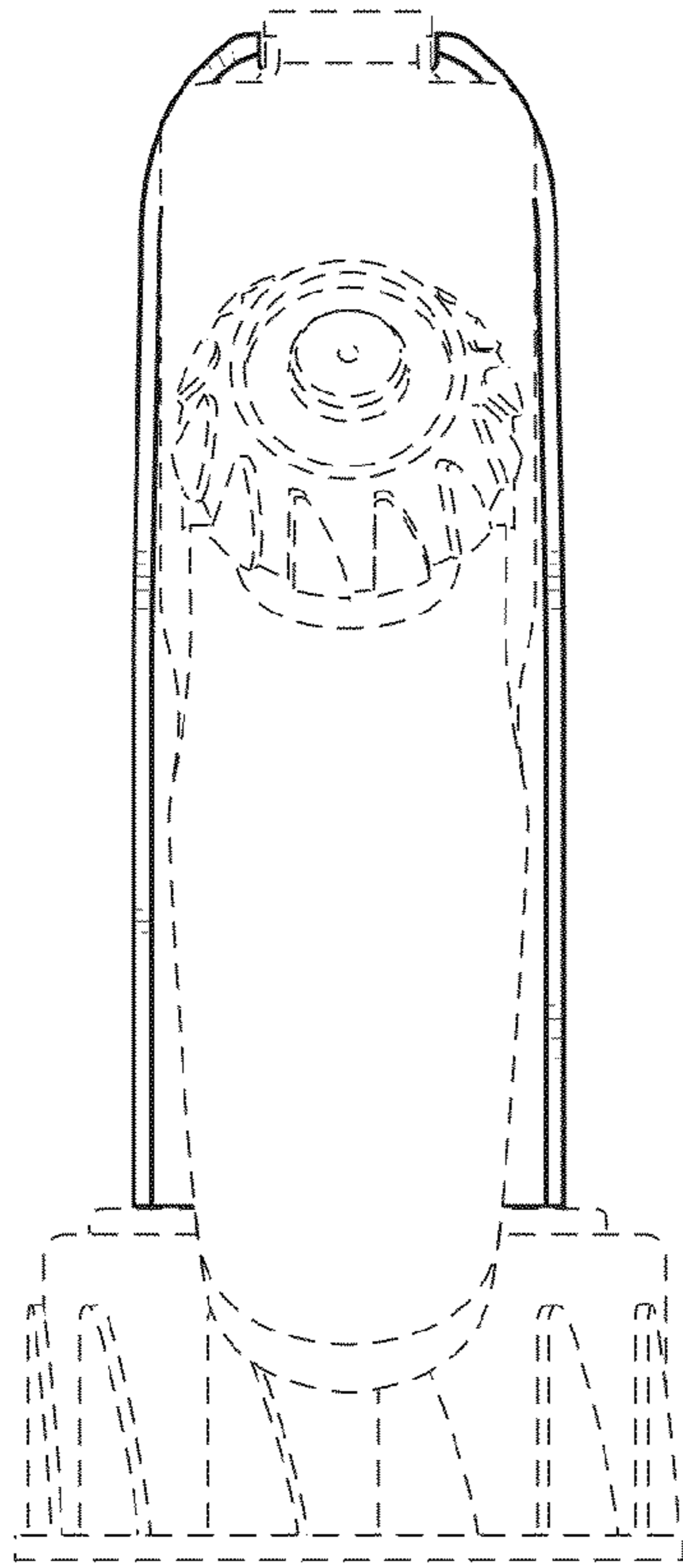
**FIG. 2**



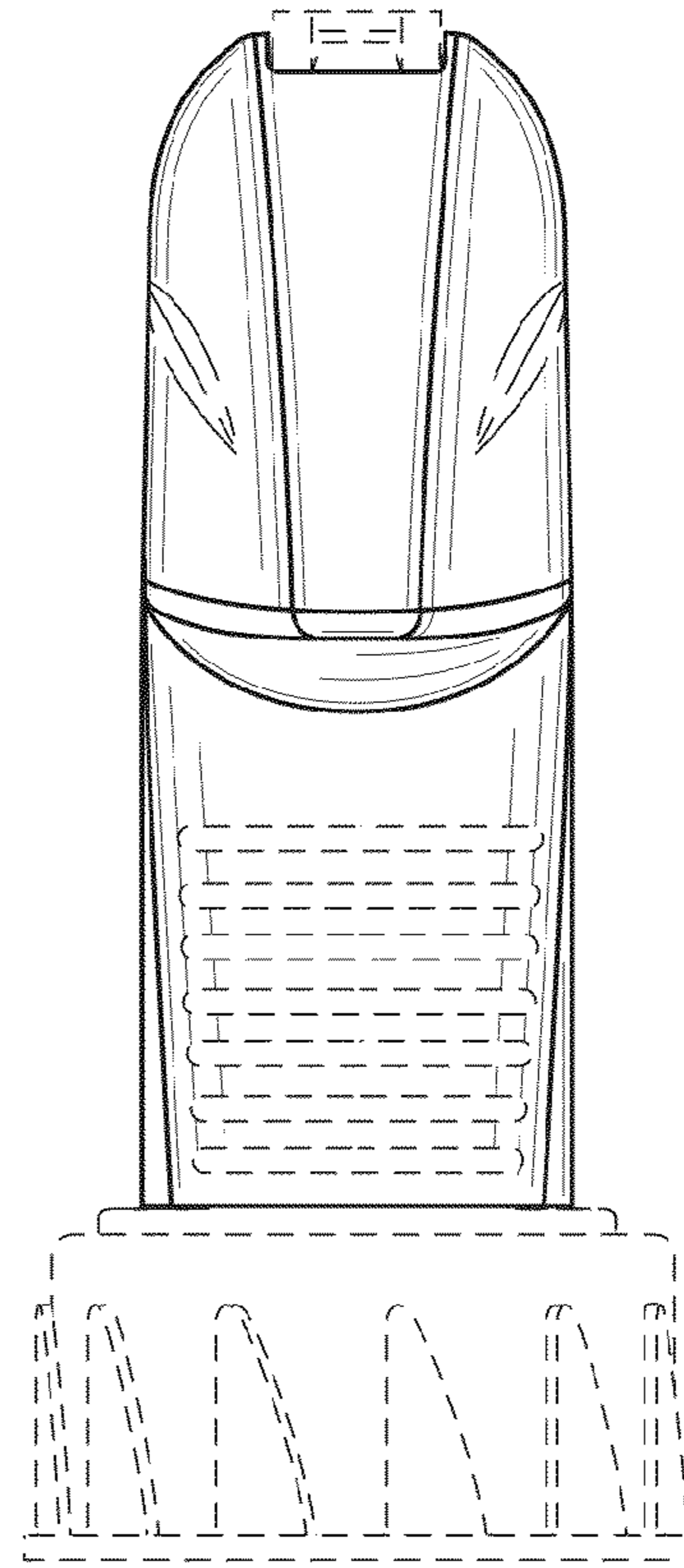
**FIG. 3**



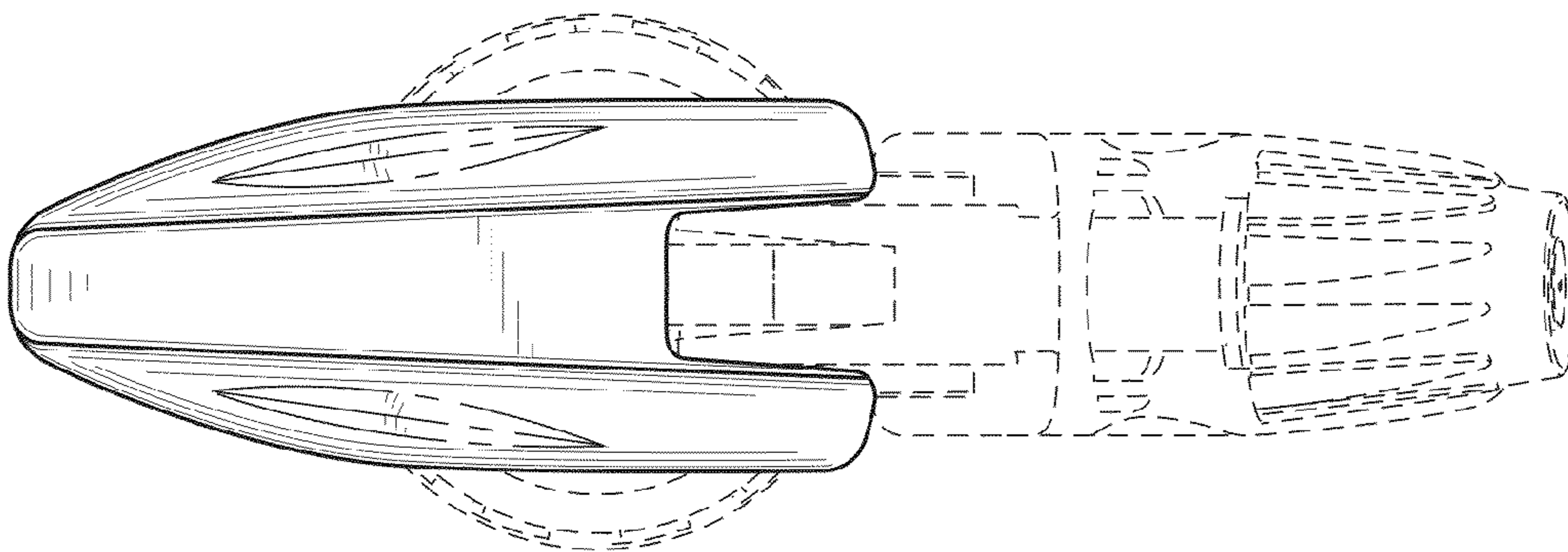
**FIG. 4**



**FIG. 5**



**FIG. 6**



**FIG. 7**