

US00D736078S

(12) **United States Design Patent**
Ambelang et al.

(10) **Patent No.:** **US D736,078 S**
(45) **Date of Patent:** **** Aug. 11, 2015**

(54) **FOOD CONTAINER**

- (71) Applicant: **NatureSweet, Ltd.**, San Antonio, TX (US)
- (72) Inventors: **Bryant P. Ambelang**, San Antonio, TX (US); **J. Michael Joergensen**, San Antonio, TX (US); **David C. Shaver**, Kingsbury, TX (US); **Emilio Fuentes**, Zapopan (MX)
- (73) Assignee: **NatureSweet, Ltd.**, San Antonio, TX (US)
- (**) Term: **14 Years**
- (21) Appl. No.: **29/506,853**
- (22) Filed: **Oct. 21, 2014**

Related U.S. Application Data

(62) Division of application No. 29/454,091, filed on May 6, 2013, now Pat. No. Des. 722,496.

(51) **LOC (10) Cl.** **09-03**

(52) **U.S. Cl.**
USPC **D9/424**

(58) **Field of Classification Search**

USPC D9/414, 423, 424, 425, 428, 429, 430, D9/438, 439; D7/500, 584, 586, 601, 629; 220/266, 345.1, 377, 574, 669, 220/670-675, 789, 796-806; 206/348, 372, 206/540, 763, 775, 776, 782, 815

CPC B65D 2543/00296; B65D 2543/00537; B65D 2543/00685; B65D 2543/00796; B65D 2543/00194; B65D 2543/0062; B65D 2543/00648; B65D 2543/00101; B65D 2543/00231; B65D 2501/0036; B65D 5/4204; B65D 2575/586

See application file for complete search history.

(56) **References Cited**

U.S. PATENT DOCUMENTS

3,794,090 A	2/1974	Commisso	
D394,807 S	6/1998	Krupa et al.	
D439,160 S	3/2001	Abayhan et al.	
D440,155 S	4/2001	Schaefer	
D589,790 S *	4/2009	Shaver et al. D9/428
D601,015 S	9/2009	Shaver et al.	
D621,699 S	8/2010	Shaver et al.	
8,104,635 B2	1/2012	Hayes et al.	
D653,452 S	2/2012	Chang	
D673,447 S	1/2013	Freeman et al.	
D690,194 S	9/2013	Snedden et al.	
D697,796 S	1/2014	Ambelang	
D722,496 S *	2/2015	Ambelang et al. D9/424
2003/0015539 A1 *	1/2003	Hayes et al. 220/608

* cited by examiner

Primary Examiner — Derrick Holland

Assistant Examiner — Lauren Calve

(74) *Attorney, Agent, or Firm* — Norton Rose Fulbright US LLP

(57) **CLAIM**

The ornamental design for a food container, as shown and described.

DESCRIPTION

FIG. 1 is a front perspective view of a food container showing our new design;

FIG. 2 is a front elevation view thereof;

FIG. 3 is a back elevation view thereof;

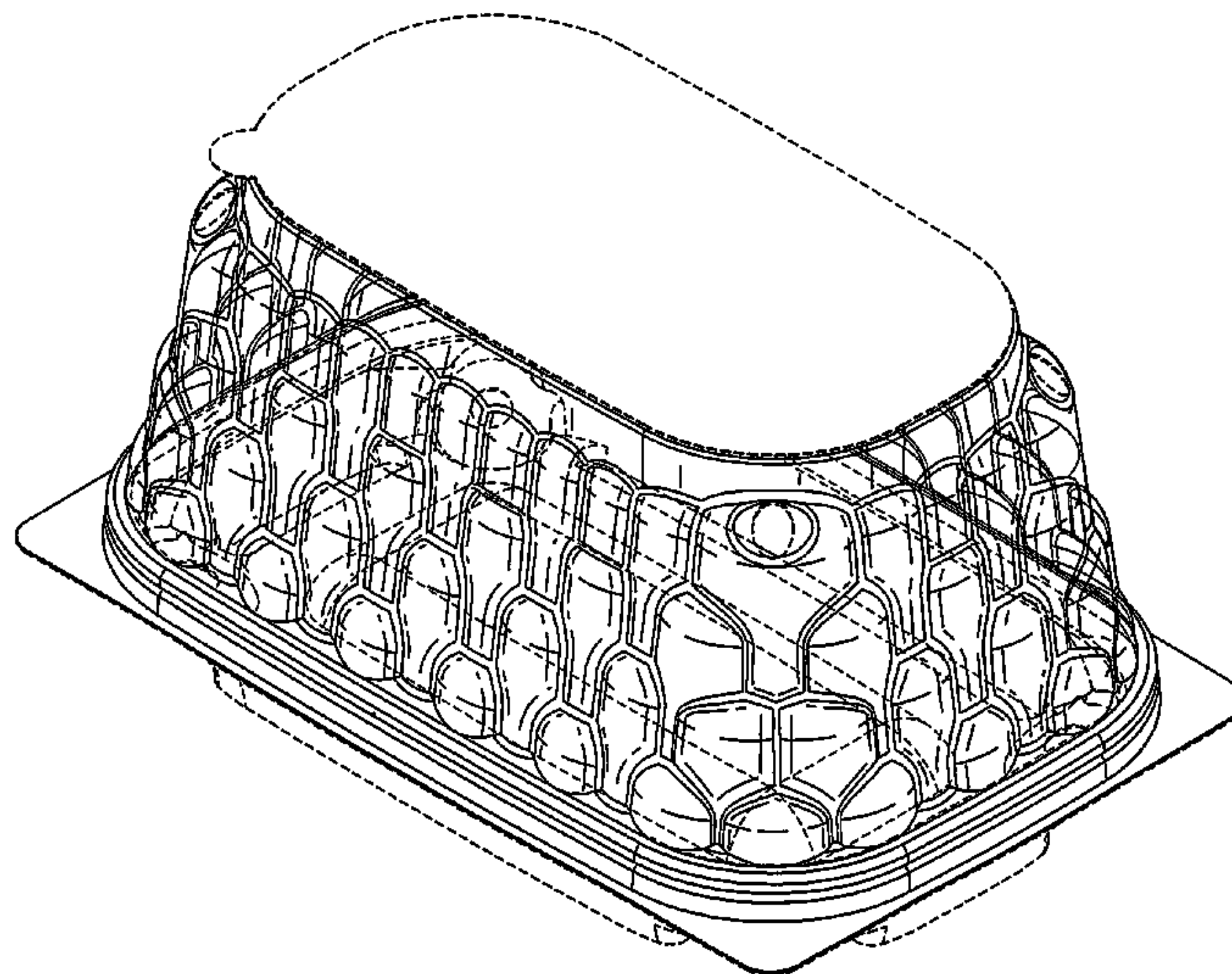
FIG. 4 is a right elevation view thereof;

FIG. 5 is a left elevation view thereof; and,

FIG. 6 is a top plan view thereof.

The broken lines shown represent unclaimed subject matter and form no part of the claimed subject matter.

1 Claim, 6 Drawing Sheets



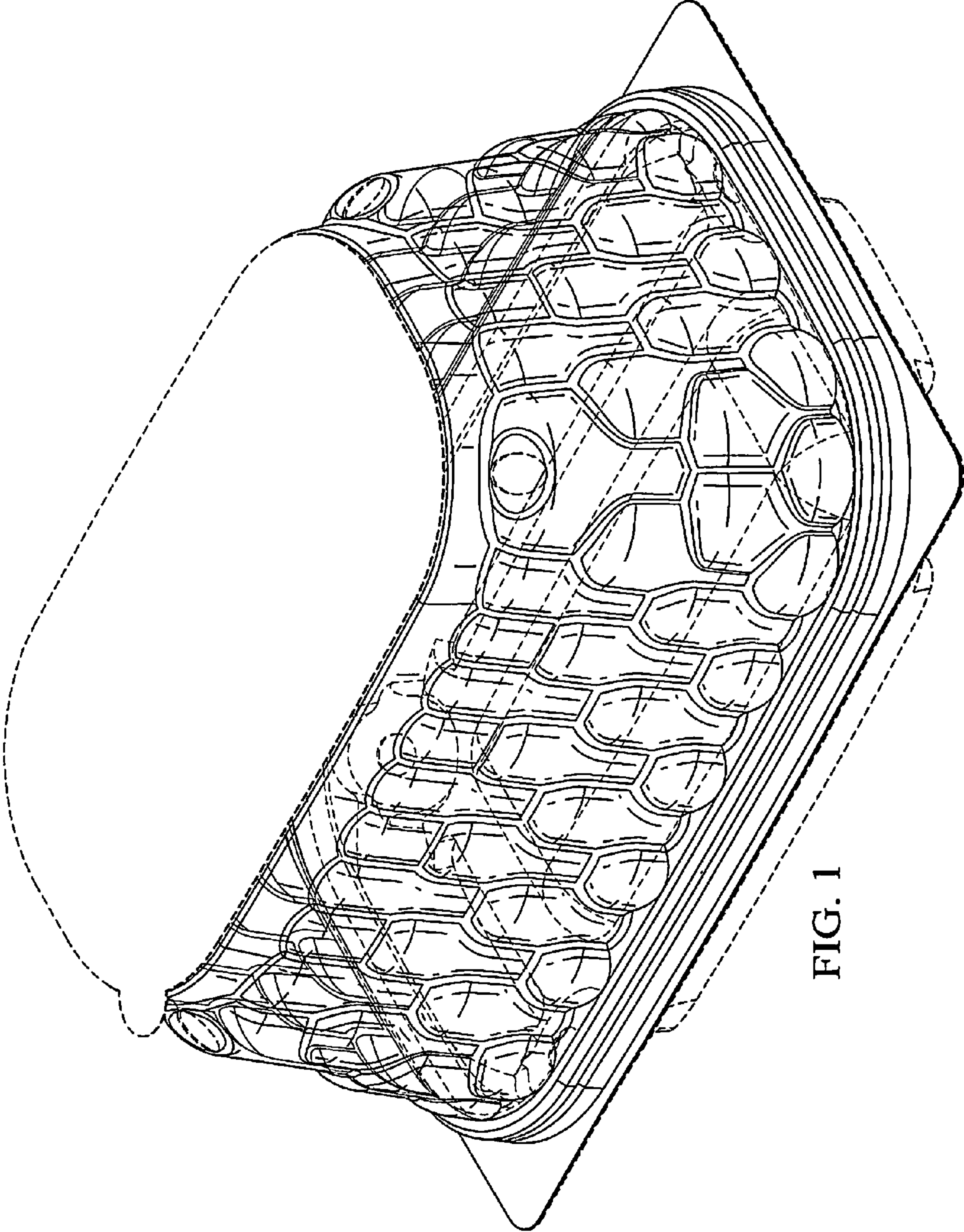


FIG. 1

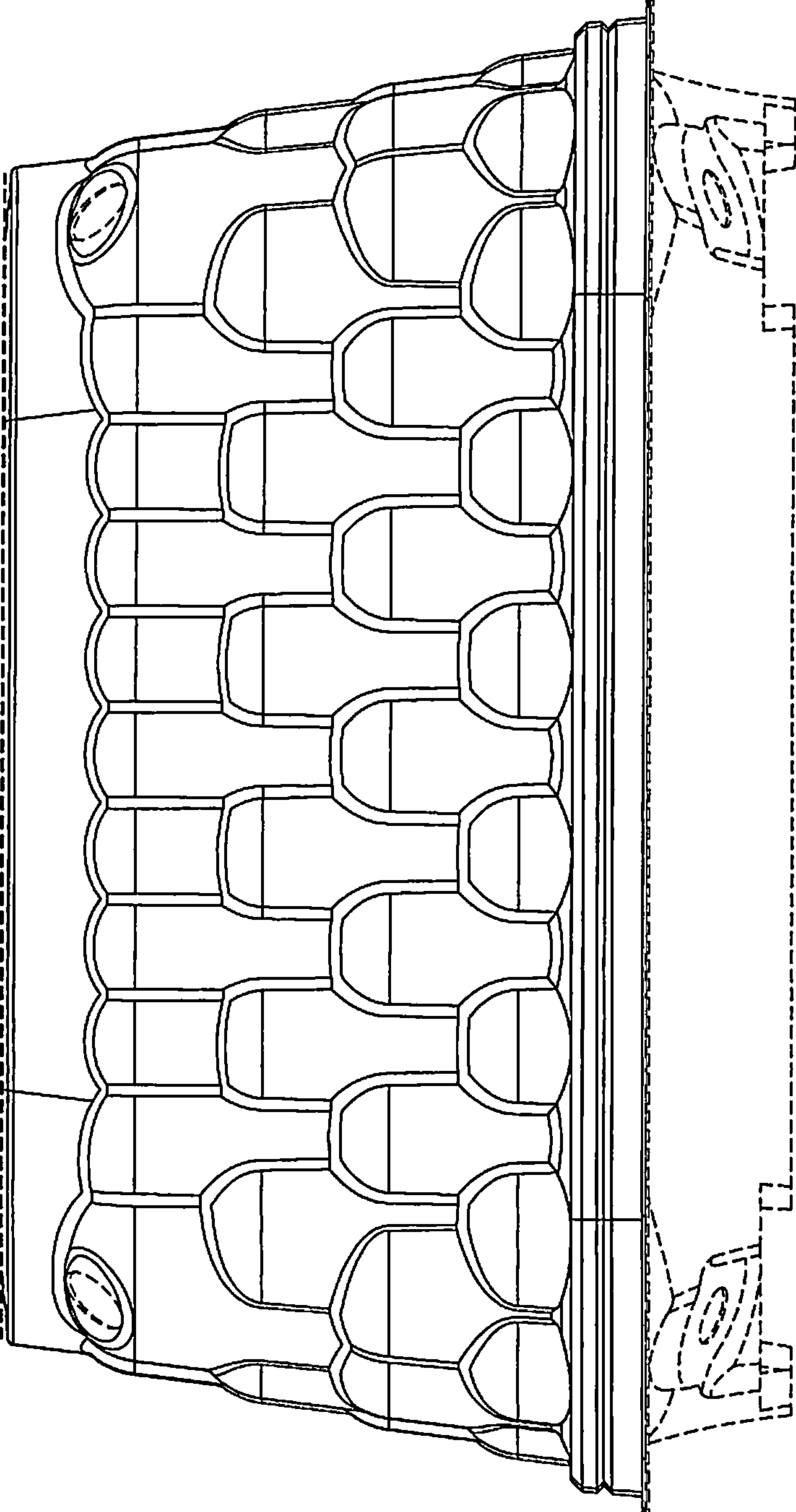


FIG. 2

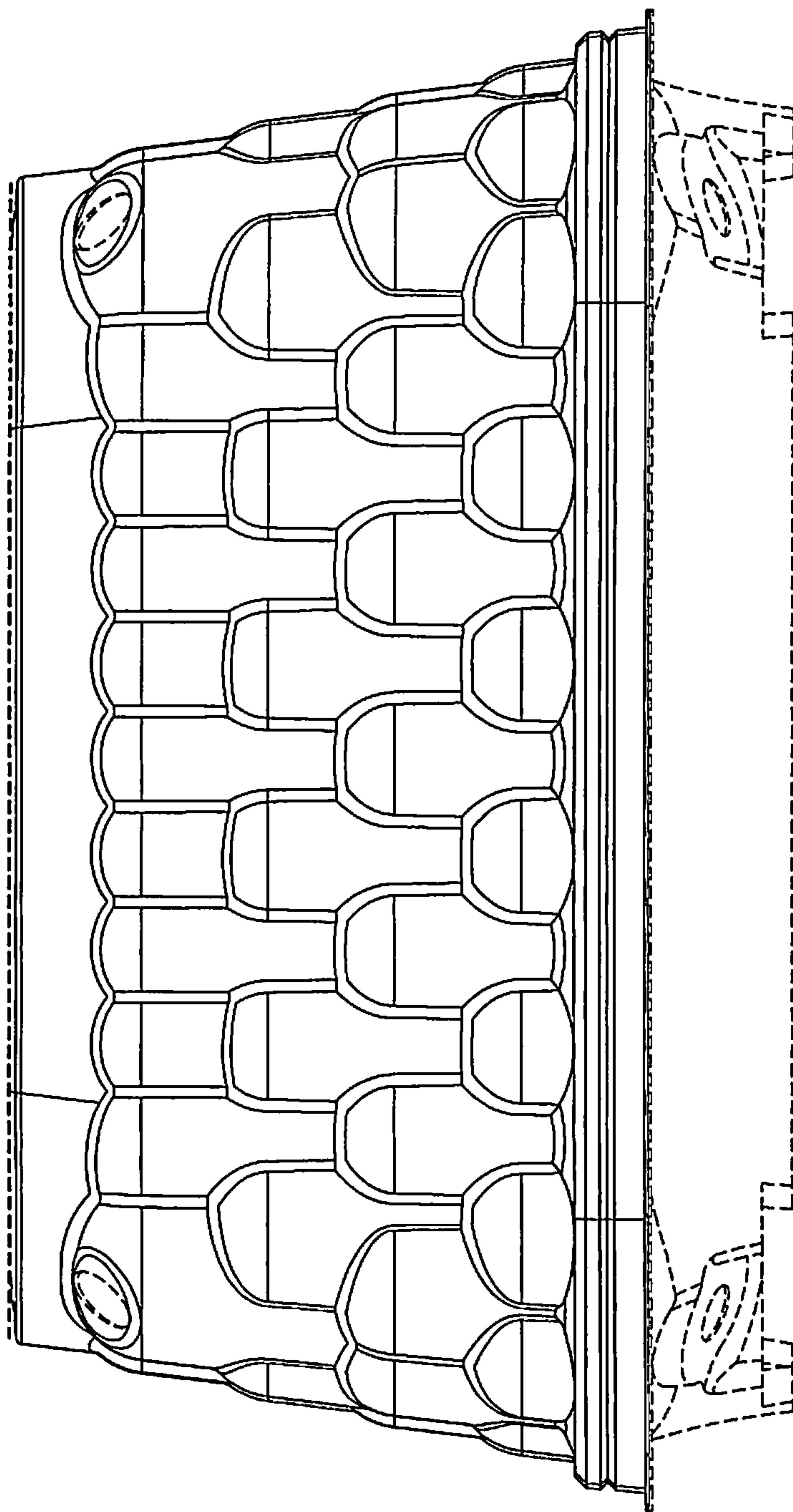


FIG. 3

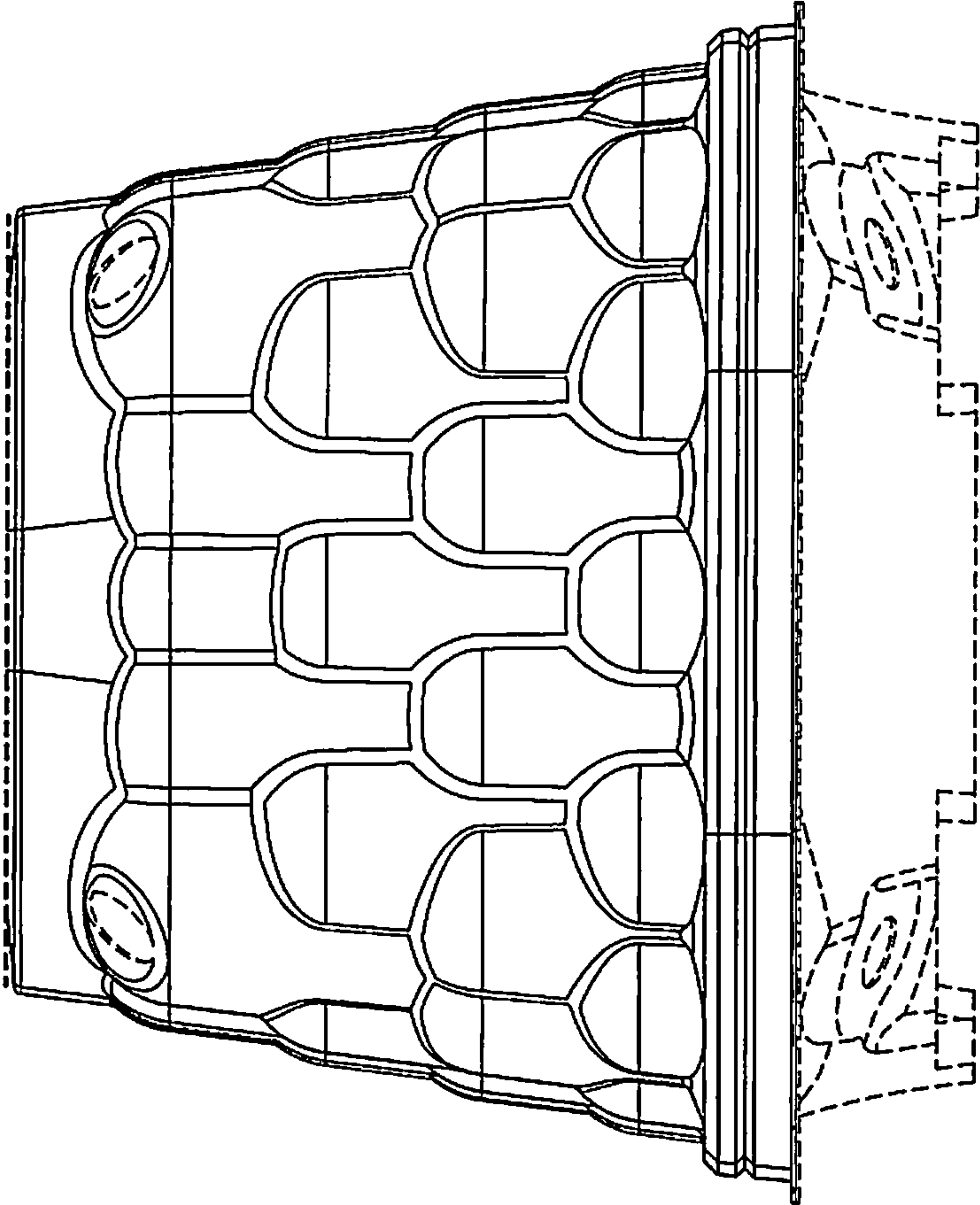


FIG. 4

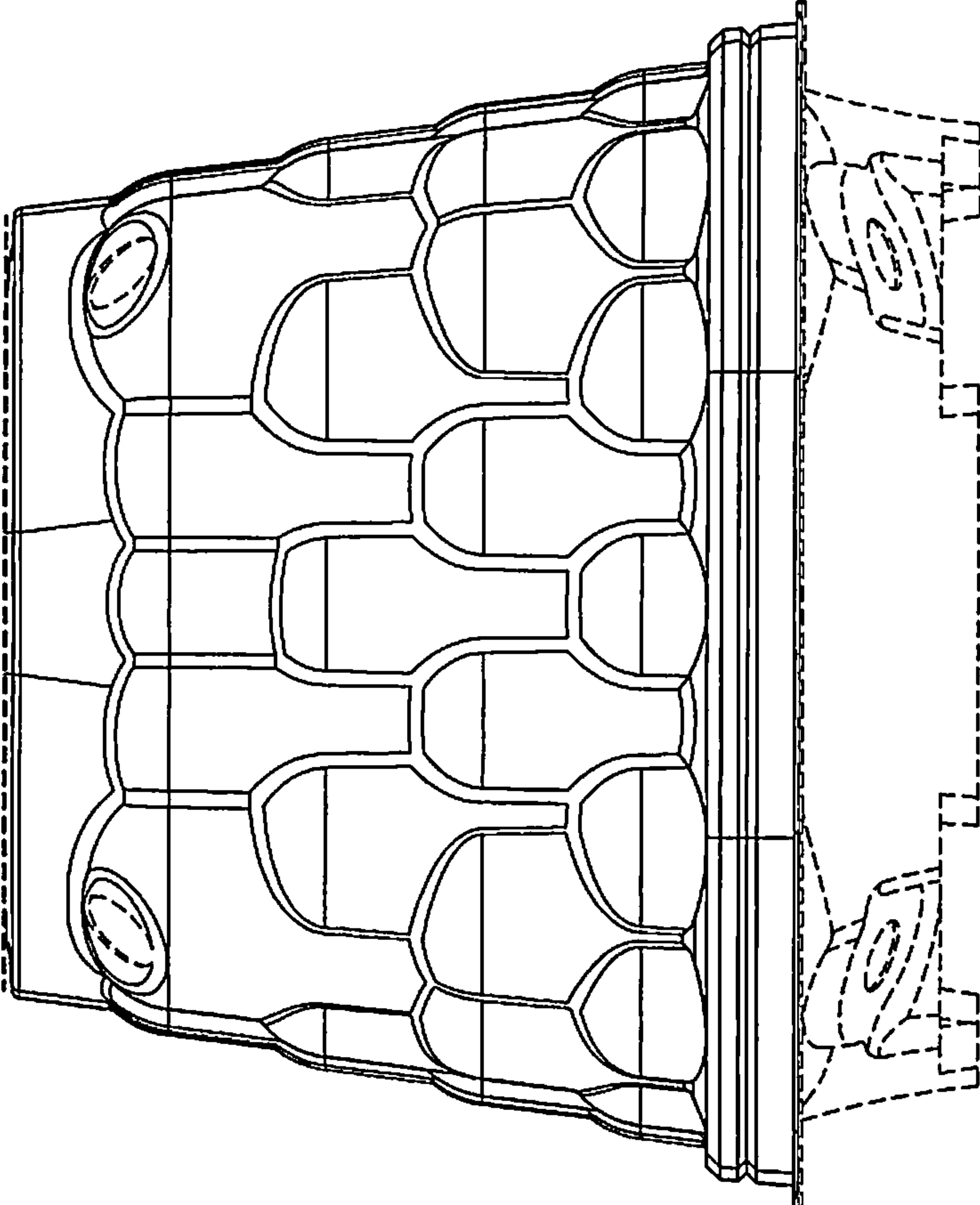


FIG. 5

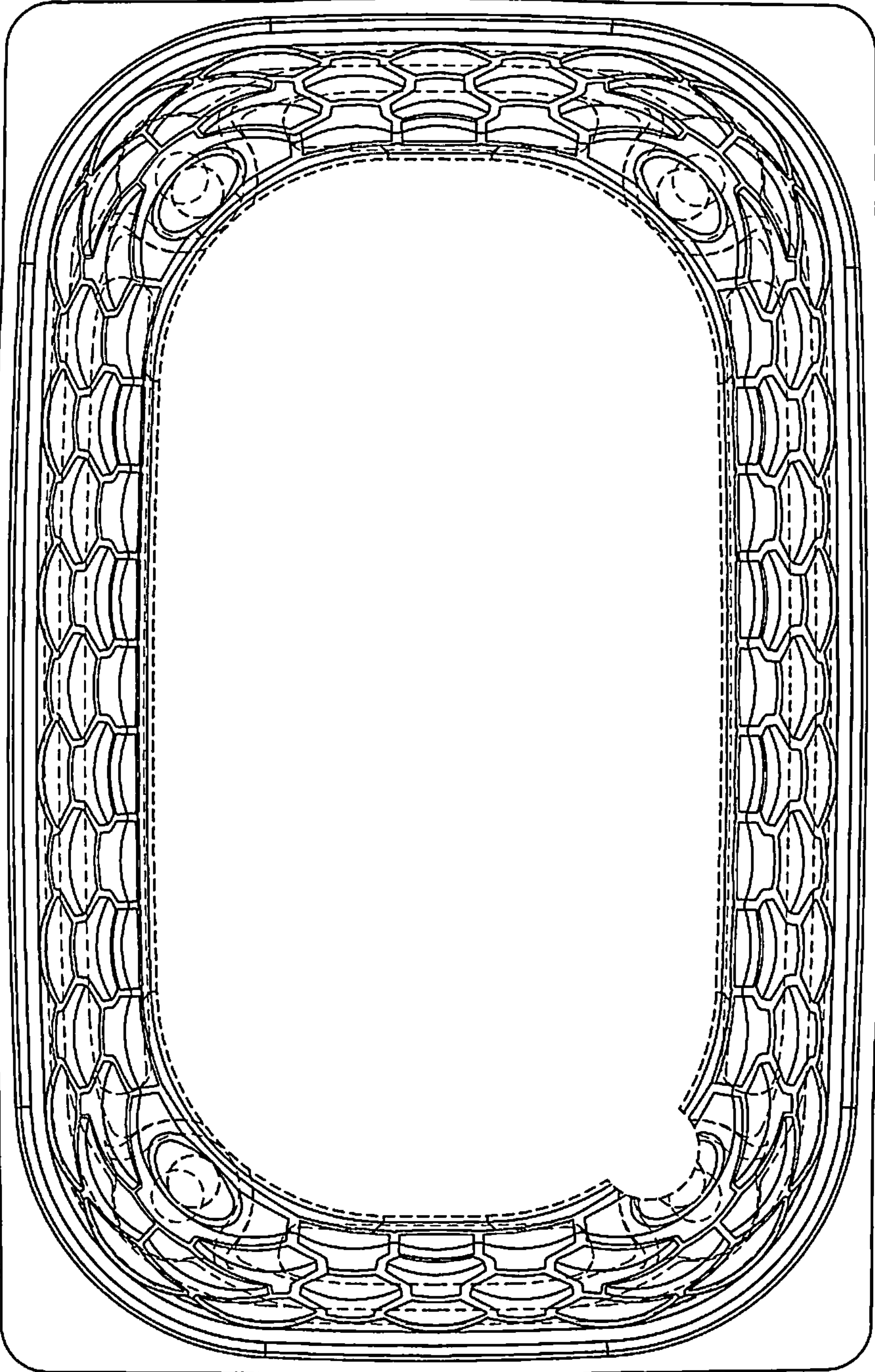


FIG. 6