



US00D736076S

(12) **United States Design Patent**
Chang

(10) **Patent No.:** **US D736,076 S**

(45) **Date of Patent:** **** Aug. 11, 2015**

(54) **GAS LINE HOLDER**

(71) Applicant: **Hyo Cheol Chang**, Incheon (KR)

(72) Inventor: **Hyo Cheol Chang**, Incheon (KR)

(**) Term: **14 Years**

(21) Appl. No.: **29/483,592**

(22) Filed: **Feb. 28, 2014**

(51) **LOC (10) Cl.** **08-08**

(52) **U.S. Cl.**
USPC **D8/396**

(58) **Field of Classification Search**
USPC D8/383, 394-396; D6/552, 553;
248/75, 74.1-74.4, 73, 301-304, 544,
248/68.1; 211/68; 294/210
CPC F16L 3/2235; F16L 3/13; F16L 3/12;
F16L 3/10; E03C 1/06; F16B 45/00; A47G
25/06; A47G 1/20

See application file for complete search history.

(56) **References Cited**

U.S. PATENT DOCUMENTS

1,478,032	A *	12/1923	Hine	211/68
3,190,307	A *	6/1965	De Vries	137/355.17
D222,483	S *	10/1971	Plath et al.	D6/552
D234,204	S *	1/1975	Miller et al.	D24/145
D272,785	S *	2/1984	Rumbaugh	D6/552
D288,764	S *	3/1987	Moller	D6/566
D294,548	S *	3/1988	Wallace	D6/567
D319,174	S *	8/1991	Flanigan	D8/383
D342,669	S *	12/1993	Solomon	D8/396
D384,459	S *	9/1997	Eisenman	D32/61
D440,803	S *	4/2001	McCormick et al.	D6/552

D443,201	S *	6/2001	Bendick	D8/394
6,276,539	B1 *	8/2001	Richbourg	211/70.8
D485,161	S *	1/2004	Hutchinson	D8/383
D537,771	S *	3/2007	Pflieger	D12/406
7,210,660	B2 *	5/2007	James et al.	248/220.31
7,748,665	B2 *	7/2010	Janesky	248/51
D655,548	S *	3/2012	Lawrence	D6/552
D677,091	S *	3/2013	Monro	D6/552
D728,349	S *	5/2015	Lake	D8/356
2005/0103949	A1 *	5/2005	Ross et al.	248/68.1
2014/0283462	A1 *	9/2014	Zhang et al.	52/70
2015/0083680	A1 *	3/2015	Beckerich	211/85.7

* cited by examiner

Primary Examiner — John Windmuller

Assistant Examiner — Steven Czyz

(74) *Attorney, Agent, or Firm* — John K. Park; Park Law Firm

(57) **CLAIM**

The ornamental design for a gas line holder, as shown and described.

DESCRIPTION

FIG. 1 is a perspective view of a gas line holder showing my new design;

FIG. 2 is a front view thereof;

FIG. 3 is a rear view thereof;

FIG. 4 is a top view thereof;

FIG. 5 is a bottom view thereof;

FIG. 6 is a left side view thereof; and,

FIG. 7 is a right side view thereof.

The broken lines in the figures represent portions of the article that form no part of the claimed design.

1 Claim, 2 Drawing Sheets

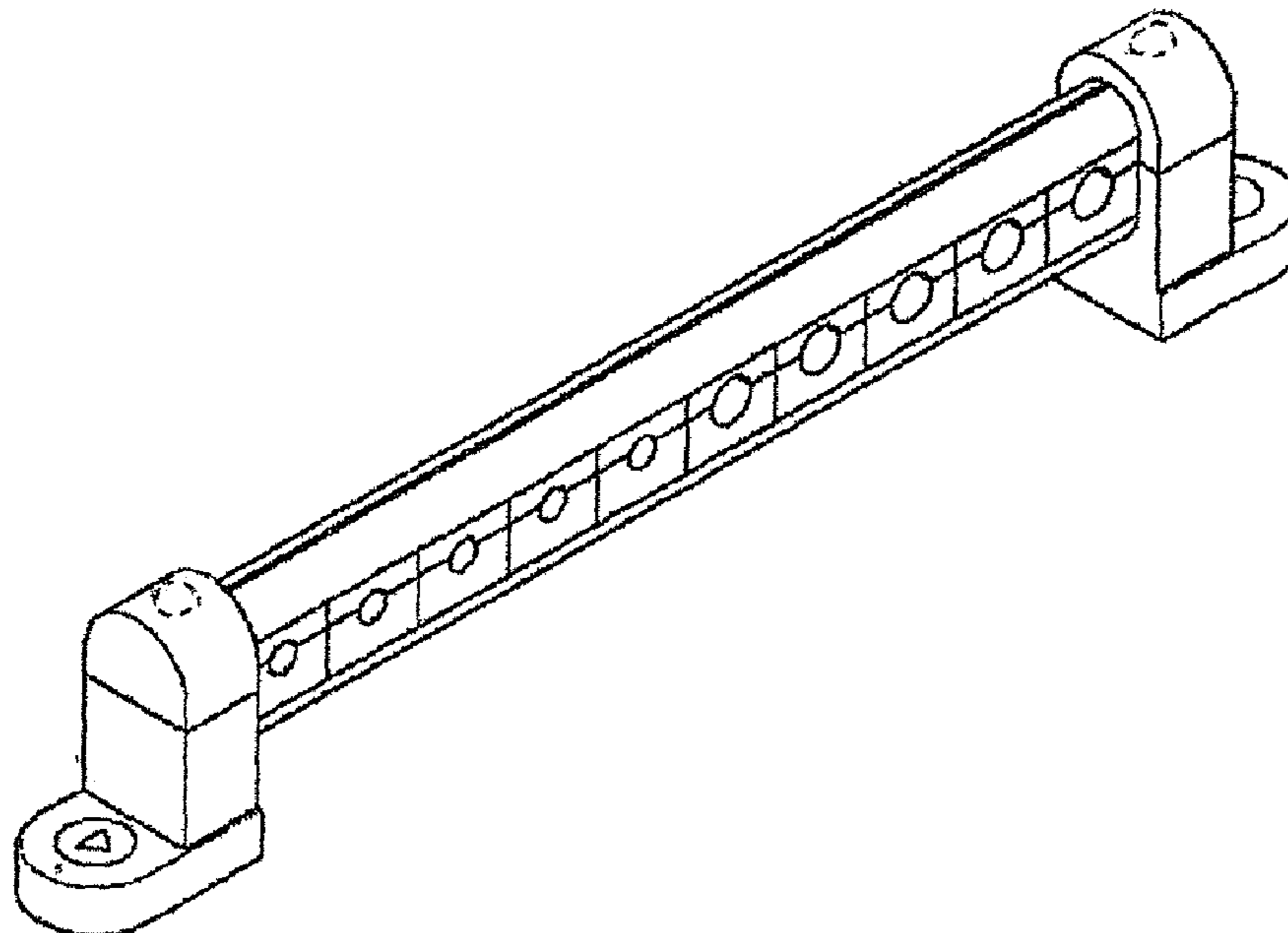


Fig. 1

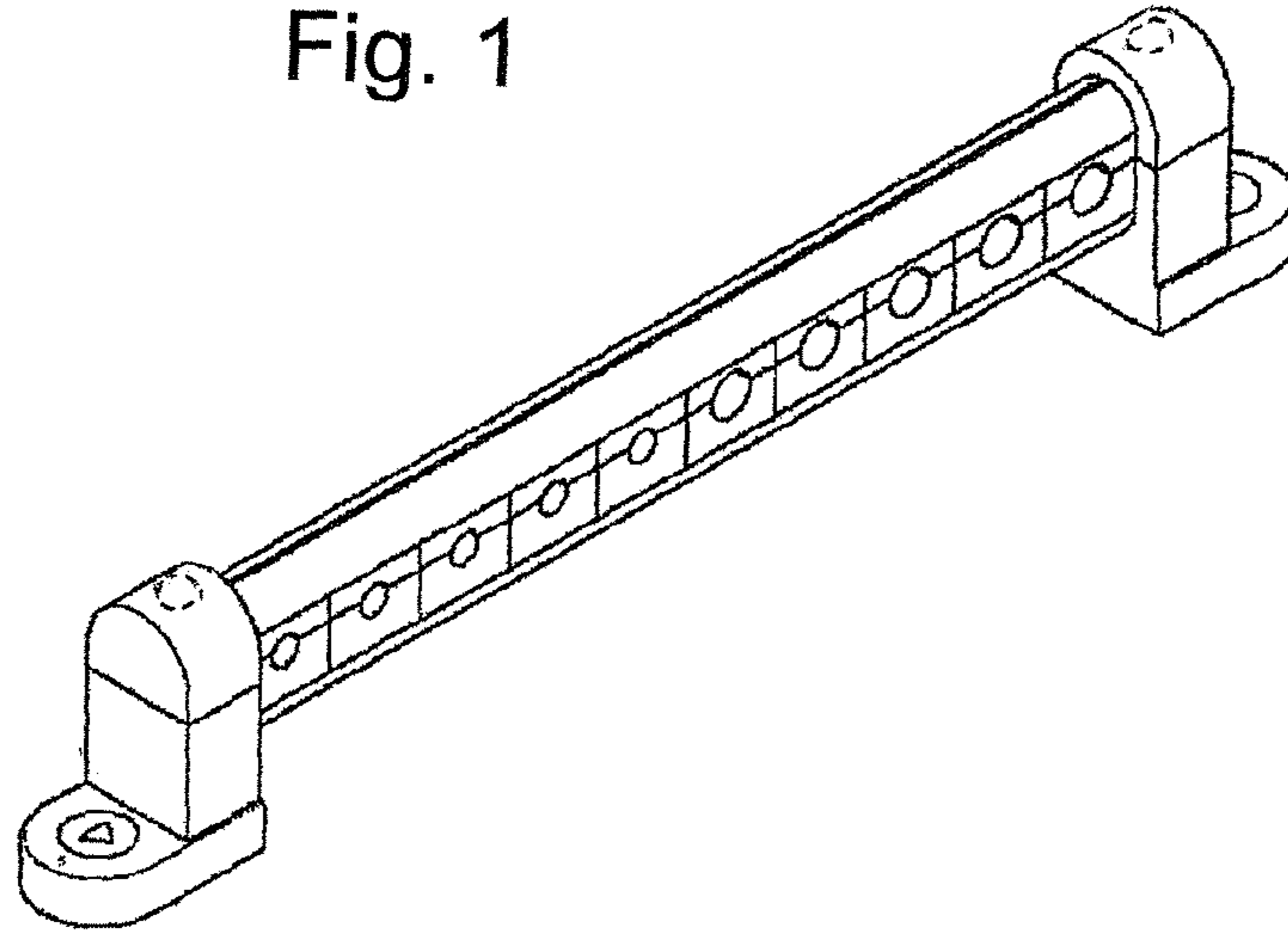


Fig. 2

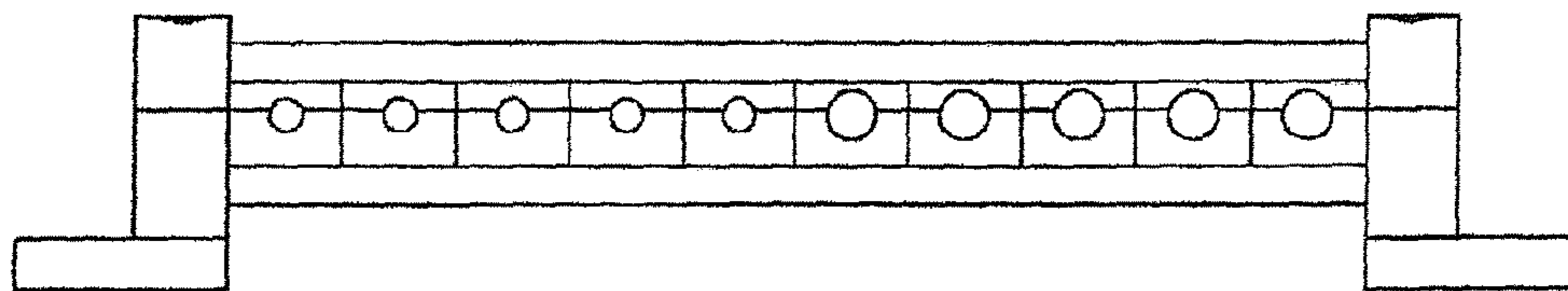


Fig. 3

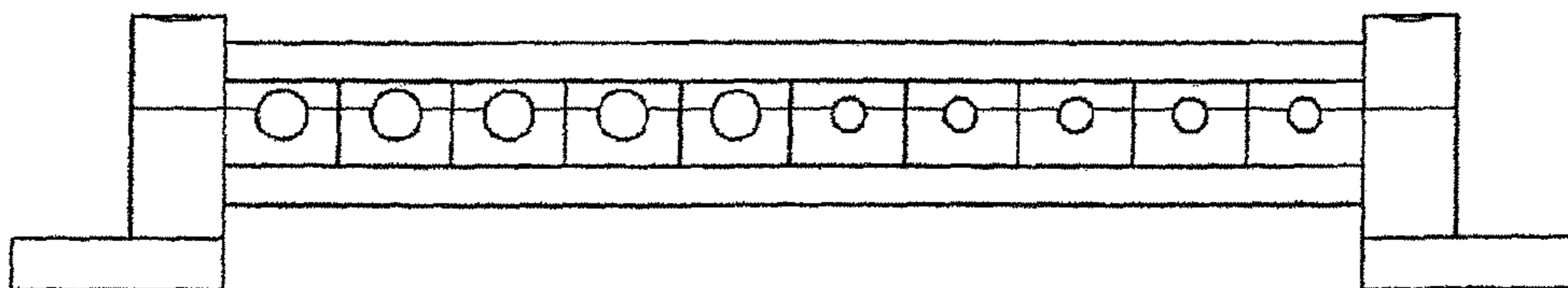


Fig. 4

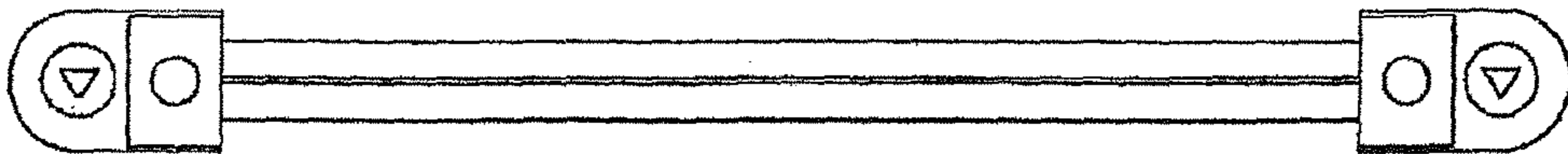


Fig. 5

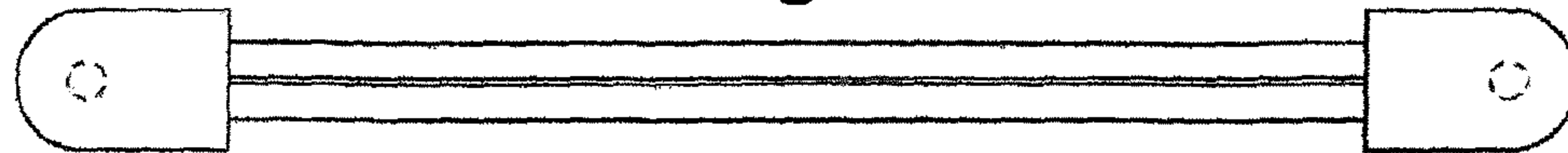


Fig. 6

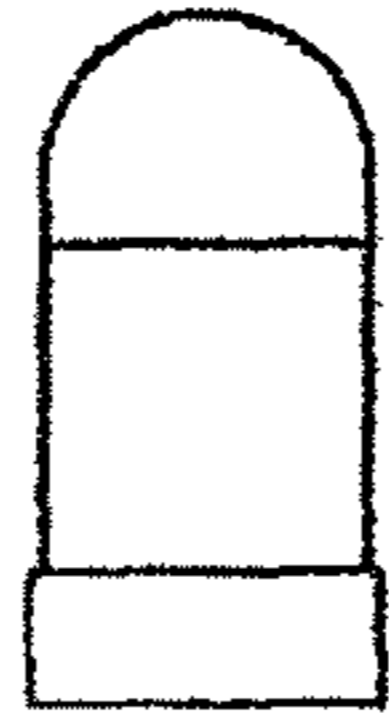


Fig. 7

