



US00D736074S

(12) **United States Design Patent**
Soliman

(10) **Patent No.:** **US D736,074 S**

(45) **Date of Patent:** **** Aug. 11, 2015**

(54) **SEAT COVER HOLDER**

(71) Applicant: **Ibrahim Soliman**, Fair Lawn, NJ (US)

(72) Inventor: **Ibrahim Soliman**, Fair Lawn, NJ (US)

(**) Term: **14 Years**

(21) Appl. No.: **29/480,975**

(22) Filed: **Jan. 31, 2014**

(51) **LOC (10) Cl.** **08-08**

(52) **U.S. Cl.**
USPC **D8/394**

(58) **Field of Classification Search**
USPC D8/394-396, 71-74, 499, 354-355;
D14/230-238

CPC D06F 55/00; A41B 3/08; A41F 15/02;
F16B 19/081; G09F 3/14; B42F 1/006;
B42F 1/08; B42F 9/001; A47F 7/02

See application file for complete search history.

(56) **References Cited**

U.S. PATENT DOCUMENTS

D173,148 S *	10/1954	Emmite	D8/382
D233,312 S *	10/1974	Lock	D24/143
D282,240 S *	1/1986	Gilford	D8/349
4,874,151 A *	10/1989	Fritz	251/90
D364,333 S *	11/1995	Fillipp et al.	D8/354
D368,218 S *	3/1996	Klein, III	D8/354
D380,140 S *	6/1997	Siemens	D8/354
D397,321 S *	8/1998	Huang	D12/223
D416,191 S *	11/1999	Edwards	D8/394
D436,310 S *	1/2001	Arnold	D8/354
D503,330 S *	3/2005	Murphy et al.	D8/354
7,093,557 B2 *	8/2006	Caruso	114/361
D535,290 S *	1/2007	Su et al.	D14/230
D535,985 S *	1/2007	Sergi	D14/238
D550,540 S *	9/2007	Nawrocki	D8/354
D554,111 S *	10/2007	Su et al.	D14/230

D638,687 S *	5/2011	Minkley et al.	D8/349
D710,833 S *	8/2014	Zheng et al.	D14/230
2002/0153759 A1 *	10/2002	Guillot	297/452.54

FOREIGN PATENT DOCUMENTS

SI 200150092-0002 * 8/2002

OTHER PUBLICATIONS

Seat Belt Locking Clip, video date Feb. 3, 2011, online, site visited Jun. 22, 2015 <https://www.youtube.com/watch?v=jOqbKHTXYow>.*

Quickfit YKK Automotive, Seat Assembly with Seat Trim Cover Fastener, online, site visited Jun. 23, 2015, <http://ykkamerica.com/auto/quickfit.htm>.*

* cited by examiner

Primary Examiner — John Windmuller

Assistant Examiner — John R Yeh

(74) *Attorney, Agent, or Firm* — Notaro, Michalos & Zaccaria P.C.

(57) **CLAIM**

The ornamental design for a seat cover holder, as shown and described.

DESCRIPTION

FIG. 1 is a top, front, left side perspective view of a seat cover holder showing my design;

FIG. 2 is a front elevation view, the back side being a mirror image thereof;

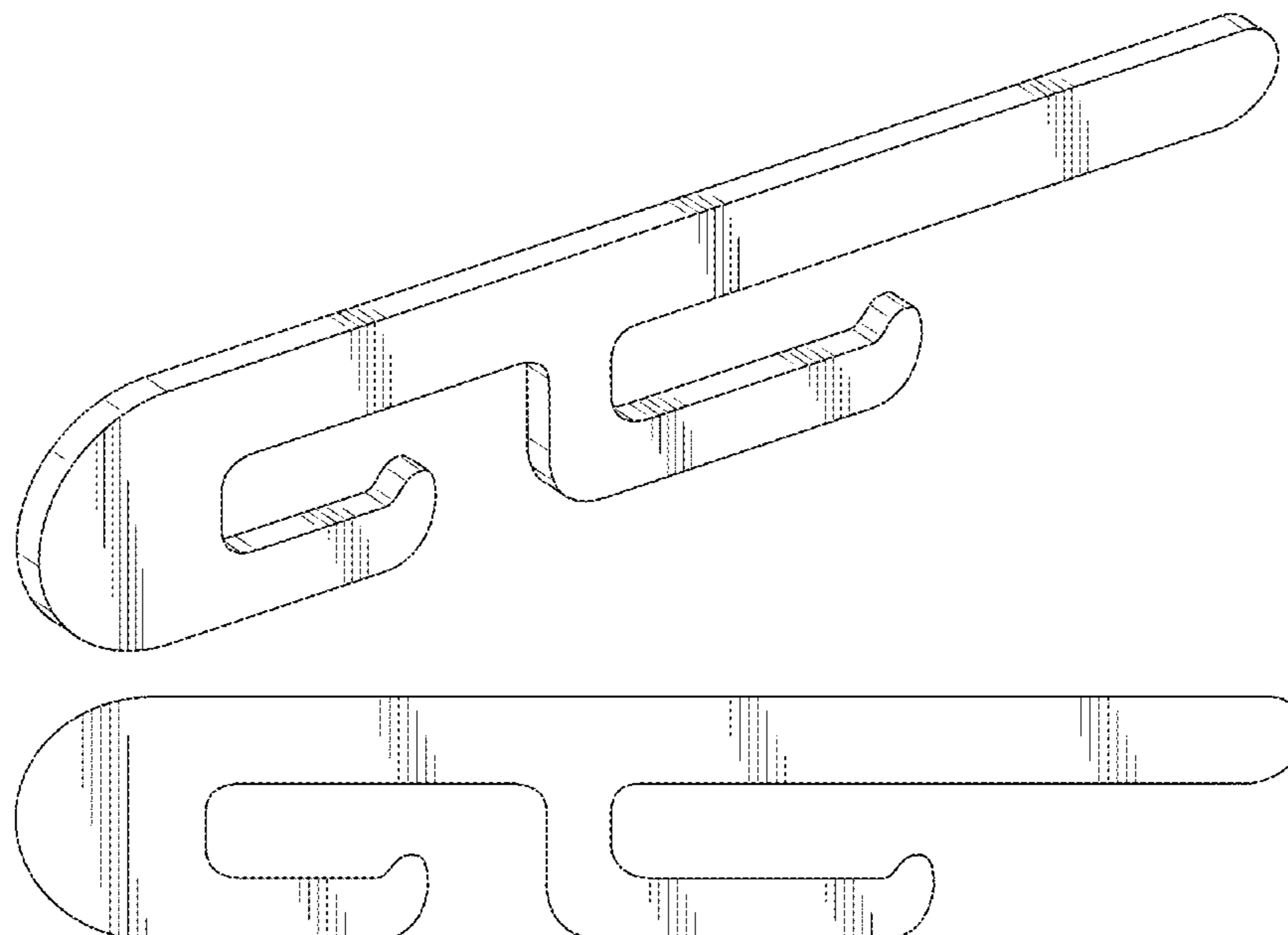
FIG. 3 is a left side elevation view thereof;

FIG. 4 is a right side elevation view thereof;

FIG. 5 is a top plan view thereof; and,

FIG. 6 is a bottom plan view thereof.

1 Claim, 2 Drawing Sheets



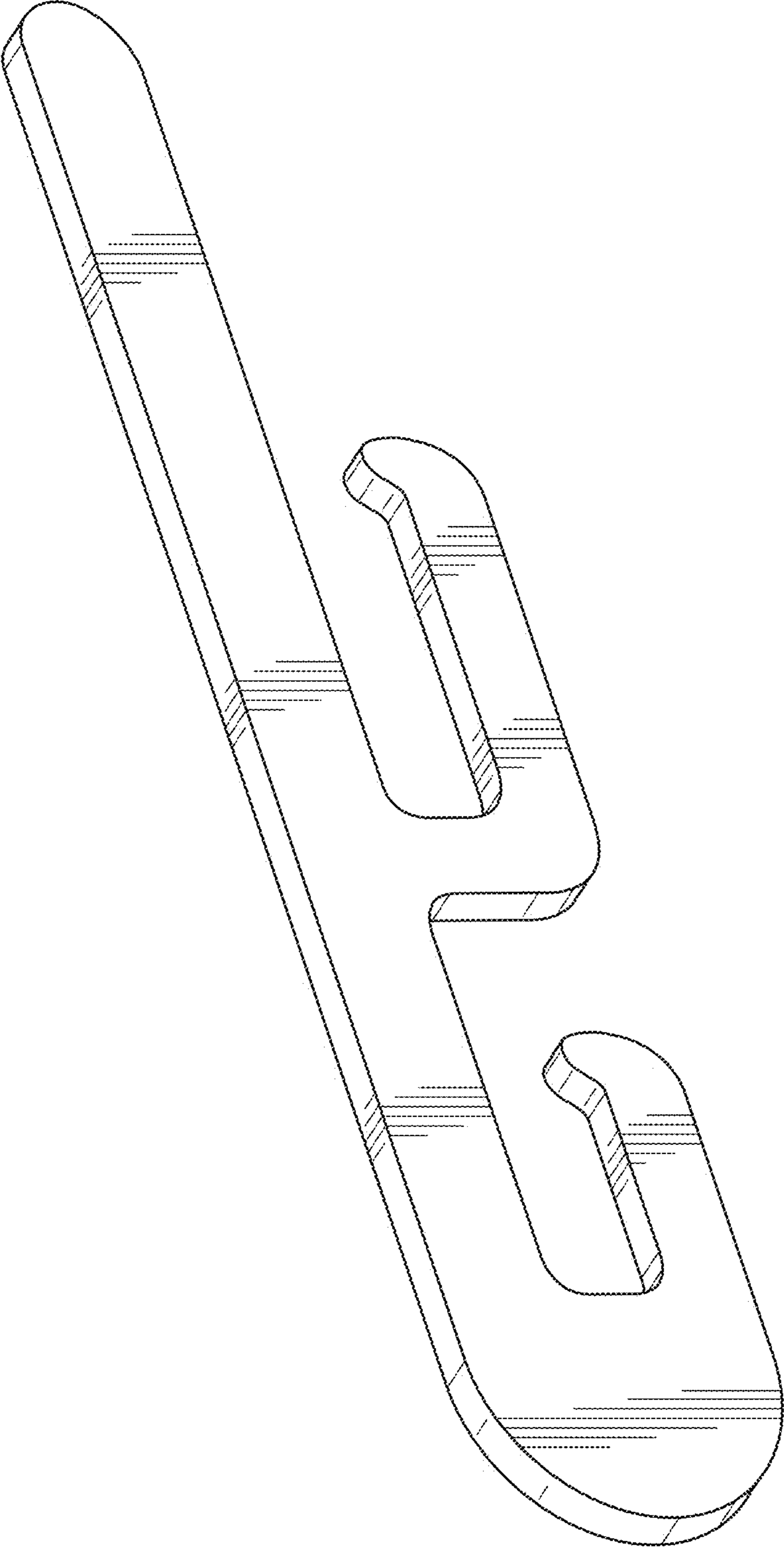


FIG. 1

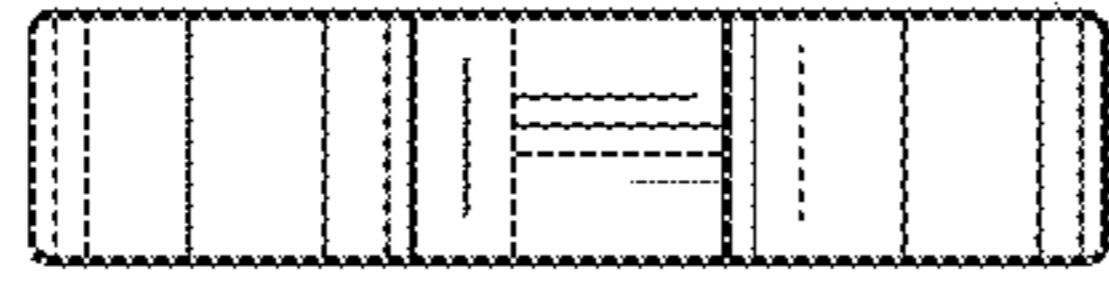


FIG. 4

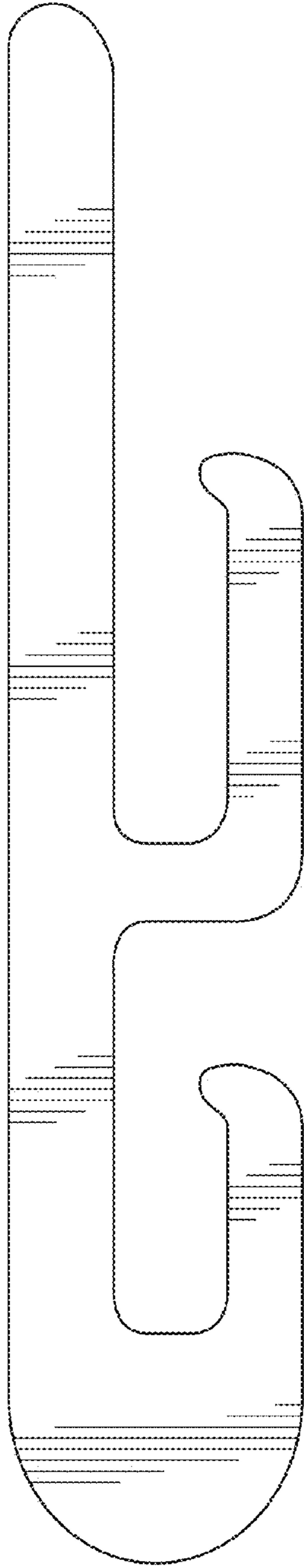


FIG. 2

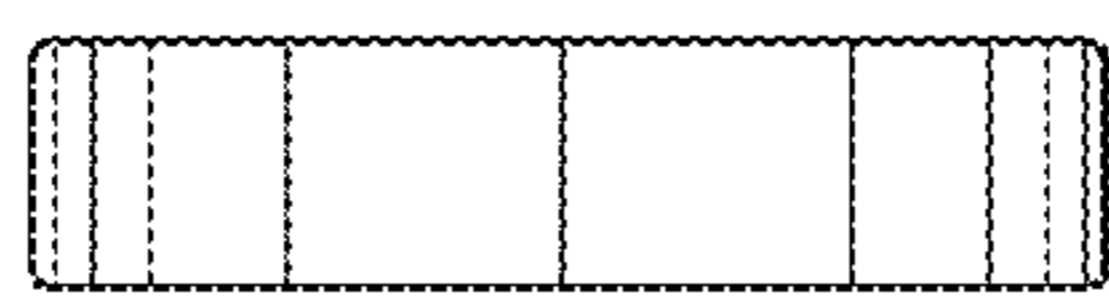


FIG. 3



FIG. 5

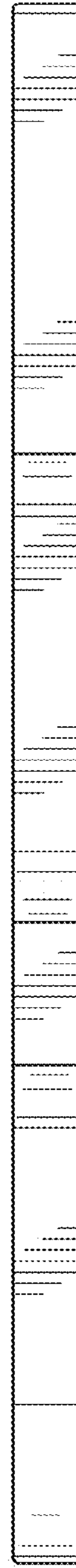


FIG. 6