



US00D736071S

(12) **United States Design Patent**  
**Wu**

(10) **Patent No.:** **US D736,071 S**

(45) **Date of Patent:** **\*\* Aug. 11, 2015**

- (54) **BOTTLE HANGING BRACKET**
- (71) Applicant: **Chia-Lun Wu**, Tainan (TW)
- (72) Inventor: **Chia-Lun Wu**, Tainan (TW)
- (\*\*) Term: **14 Years**
- (21) Appl. No.: **29/473,087**
- (22) Filed: **Nov. 19, 2013**
- (51) **LOC (10) Cl.** ..... **08-05**
- (52) **U.S. Cl.**  
USPC ..... **D8/373**
- (58) **Field of Classification Search**  
USPC ..... D8/71, 371, 383, 374, 300, 303, 313,  
D8/314, 394, 396, 380, 373, 395, 363, 381,  
D8/44, 19, 352, 370, 308, 372, 376;  
D13/133; D19/1; D22/108; D26/87;  
D9/686, 687; D23/238; D6/300,  
D6/556.682, 325; D7/619.1; D3/202  
CPC ..... F16B 12/44; F16B 12/46; F16B 5/0614;  
F16B 12/02; E04B 1/2612; E04B 2001/2415;  
E04B 1/5818; E04B 1/5831; A47B 88/0055;  
E04F 11/1812  
See application file for complete search history.

D242,524 S *	11/1976	Washburn	.....	D8/371
D296,520 S *	7/1988	Spinetta	.....	D8/373
D301,976 S *	7/1989	Greenhut et al.	.....	D8/373
D319,383 S *	8/1991	Kihlstrom	.....	D8/373
D321,124 S *	10/1991	Gary	.....	D8/373
D322,211 S *	12/1991	Gary	.....	D8/373
D369,957 S *	5/1996	Blanton	.....	D8/373
D488,997 S *	4/2004	Angeletta	.....	D8/373
D552,461 S *	10/2007	Oas	.....	D8/395
D560,115 S *	1/2008	Peyridieu et al.	.....	D8/373
D576,475 S *	9/2008	Didehvar	.....	D8/373
D696,572 S *	12/2013	Petrucelli	.....	D8/373
D706,610 S *	6/2014	Sakuma	.....	D8/363

\* cited by examiner

*Primary Examiner* — Robert M Spear

*Assistant Examiner* — Eliza Bennett-Hattan

(74) *Attorney, Agent, or Firm* — Alan D. Kamrath; Kamrath IP Lawfirm, P.A.

(57) **CLAIM**

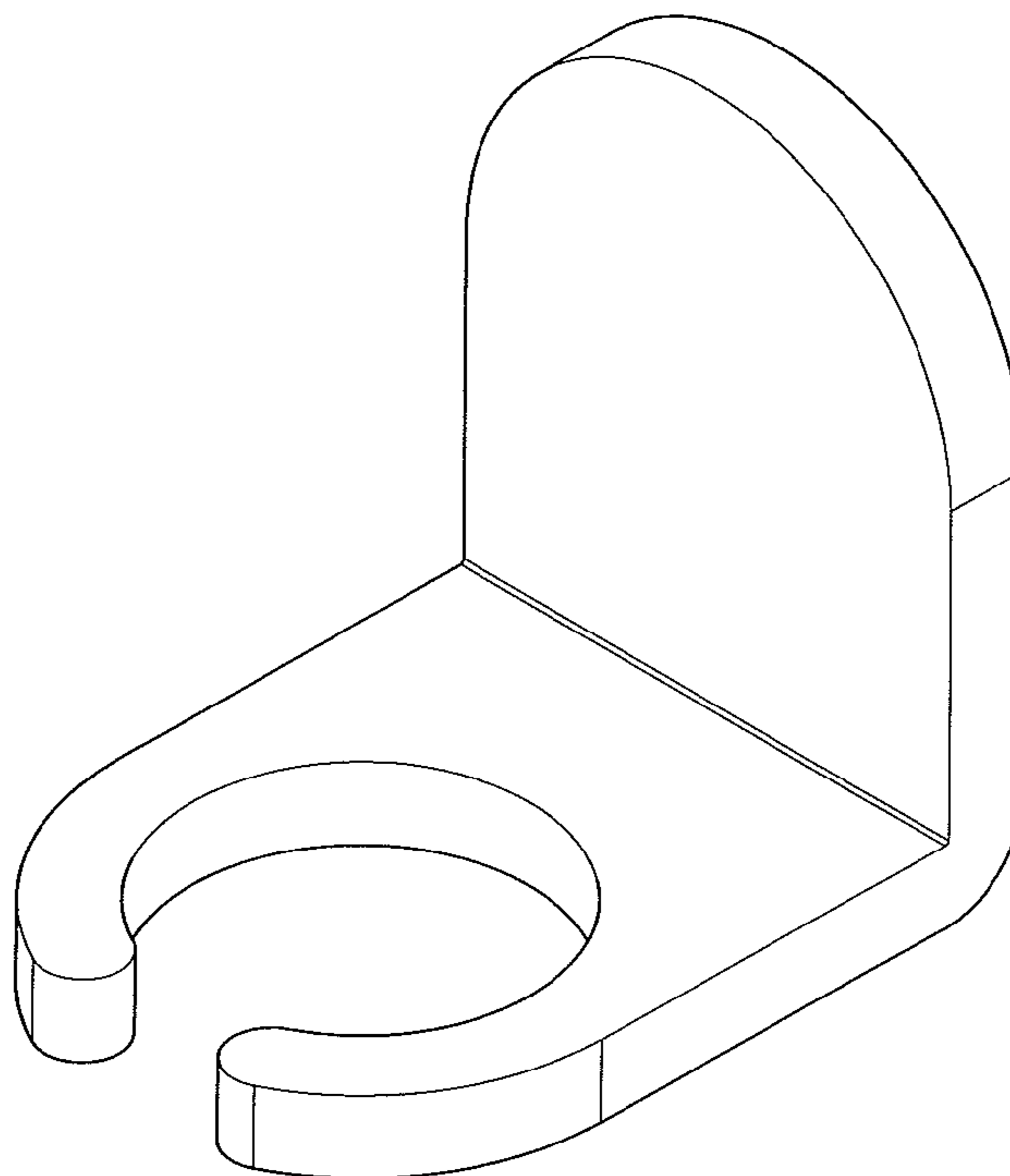
The ornamental design for a bottle hanging bracket, as shown and described.

**DESCRIPTION**

FIG. 1 is a perspective view of a bottle hanging bracket showing my design;  
 FIG. 2 is a front elevational view thereof;  
 FIG. 3 is a rear elevational view thereof;  
 FIG. 4 is a left elevational view thereof;  
 FIG. 5 is a right elevational view thereof;  
 FIG. 6 is a top plan view thereof; and,  
 FIG. 7 is a bottom plan view thereof.

**1 Claim, 4 Drawing Sheets**

- (56) **References Cited**  
U.S. PATENT DOCUMENTS  
D31,930 S \* 12/1899 Lane ..... D8/373  
D157,925 S \* 3/1950 Todd ..... D8/373  
D196,291 S \* 9/1963 McCarthy ..... D8/373



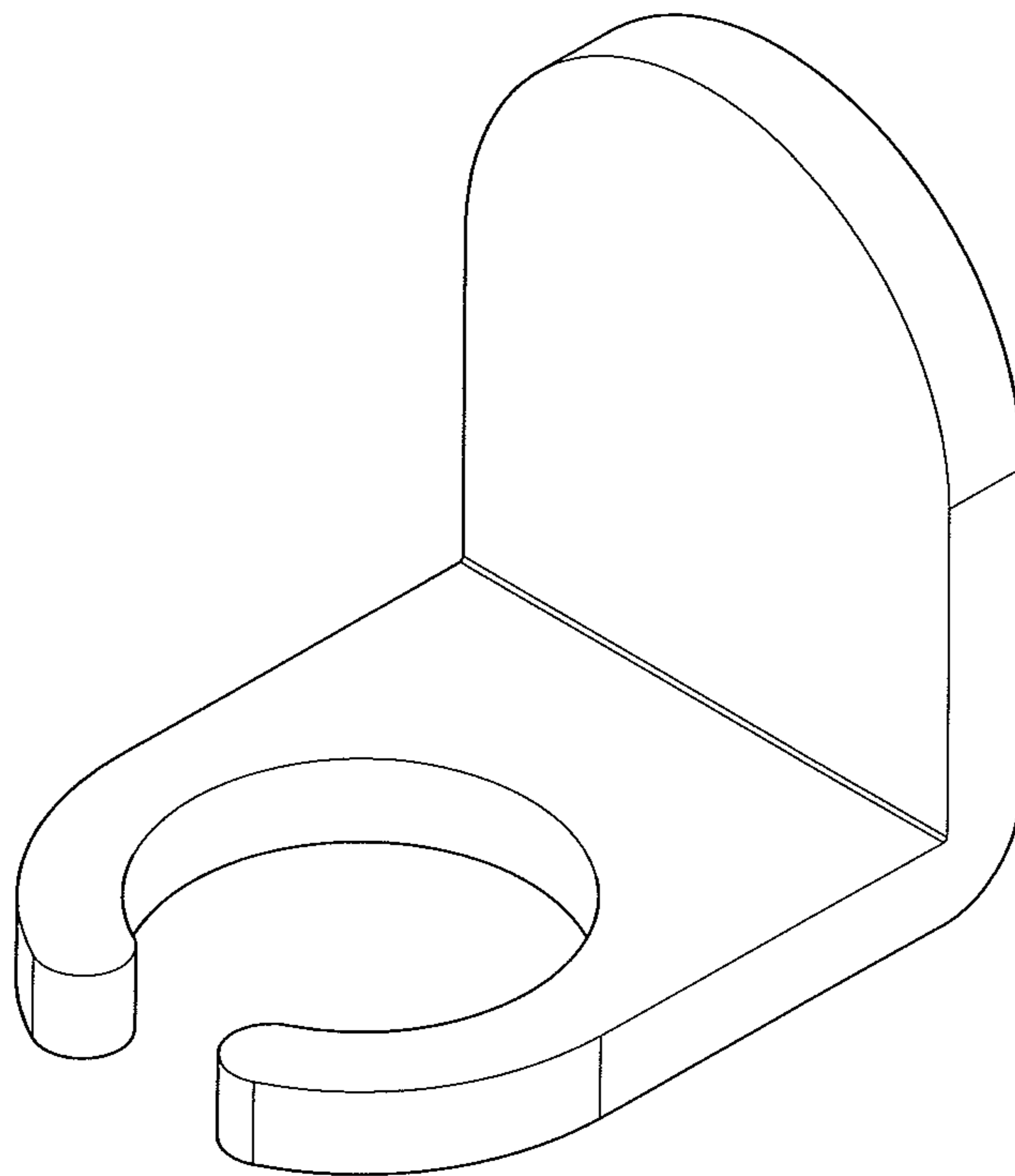


Fig. 1

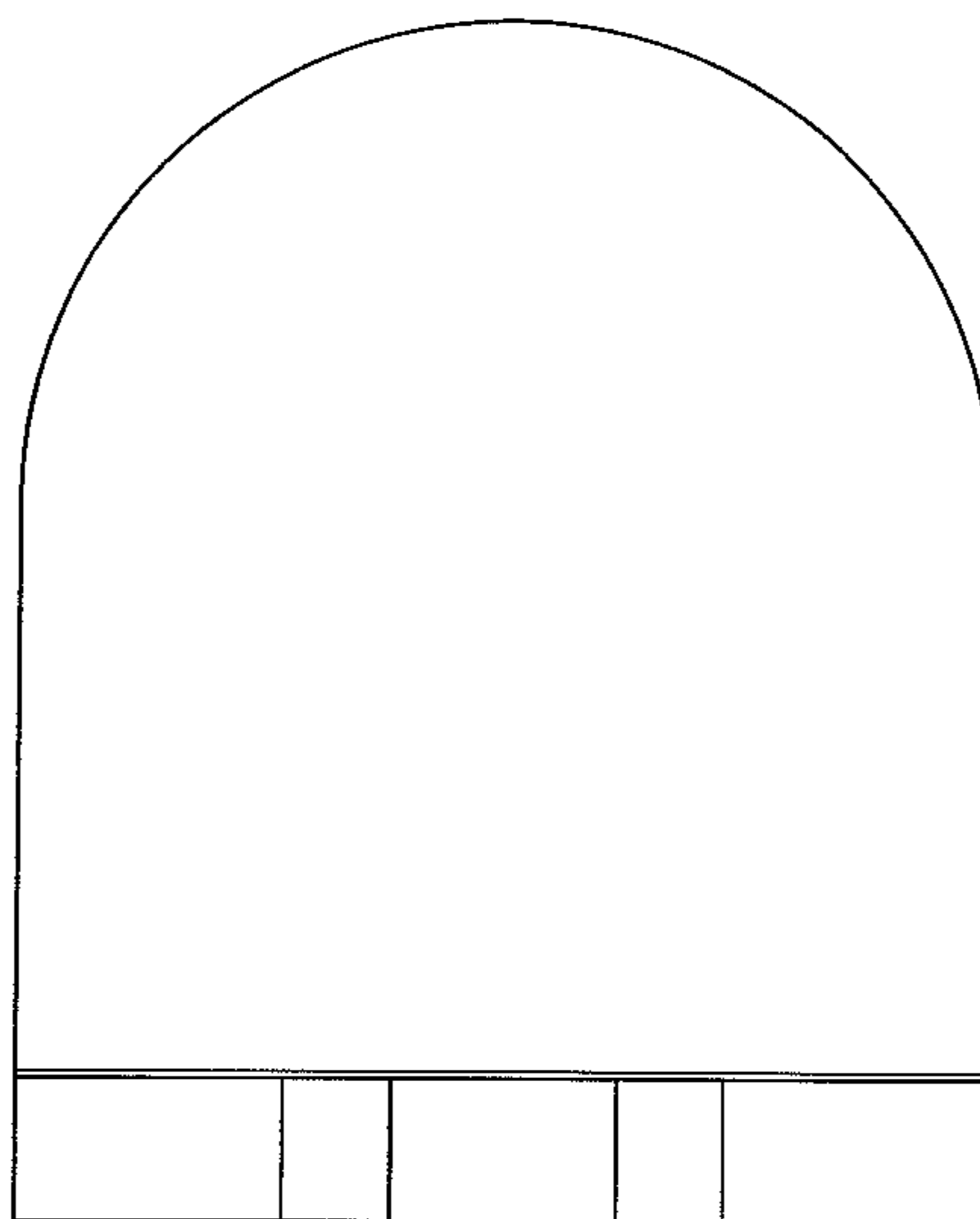


Fig. 2

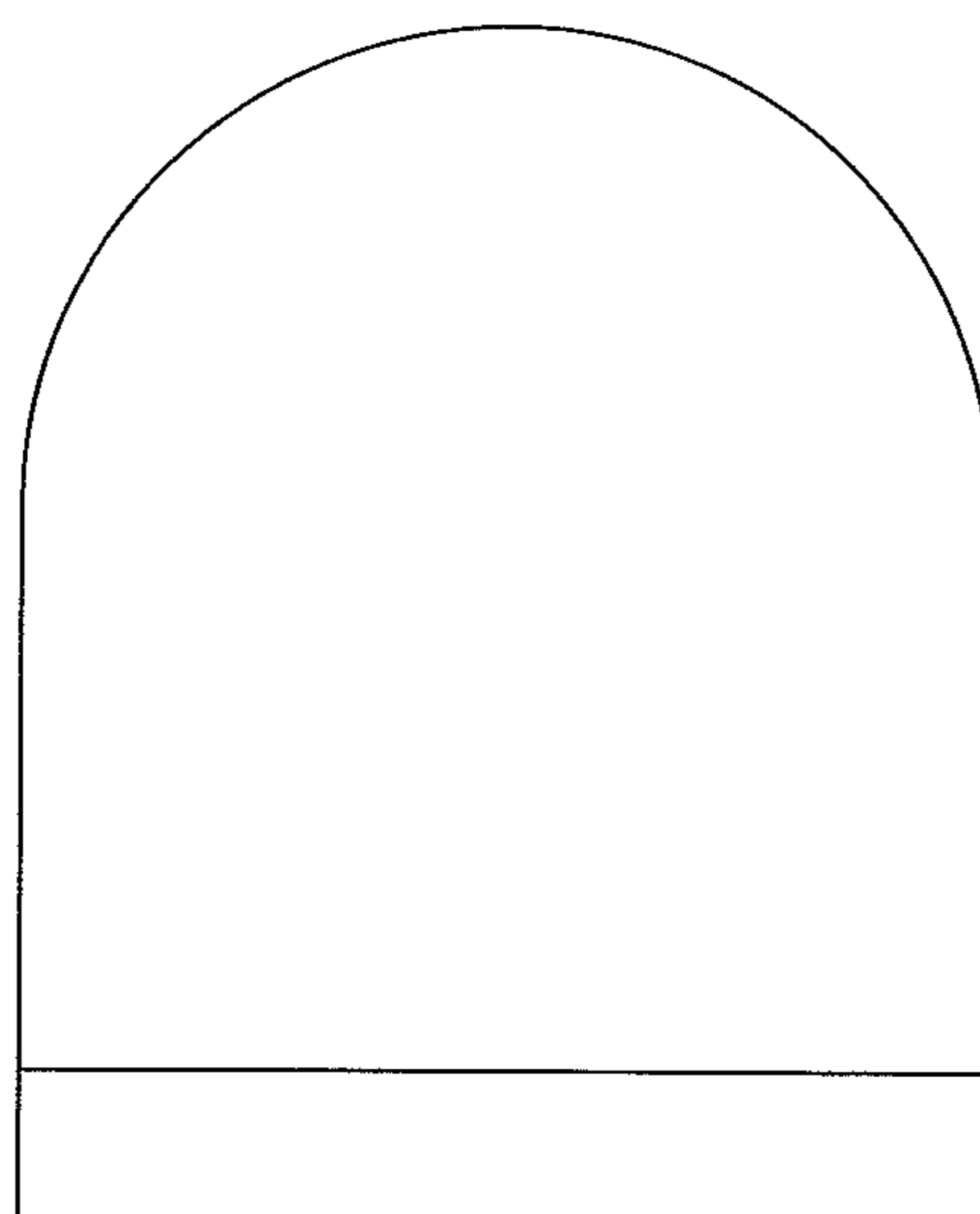


Fig. 3

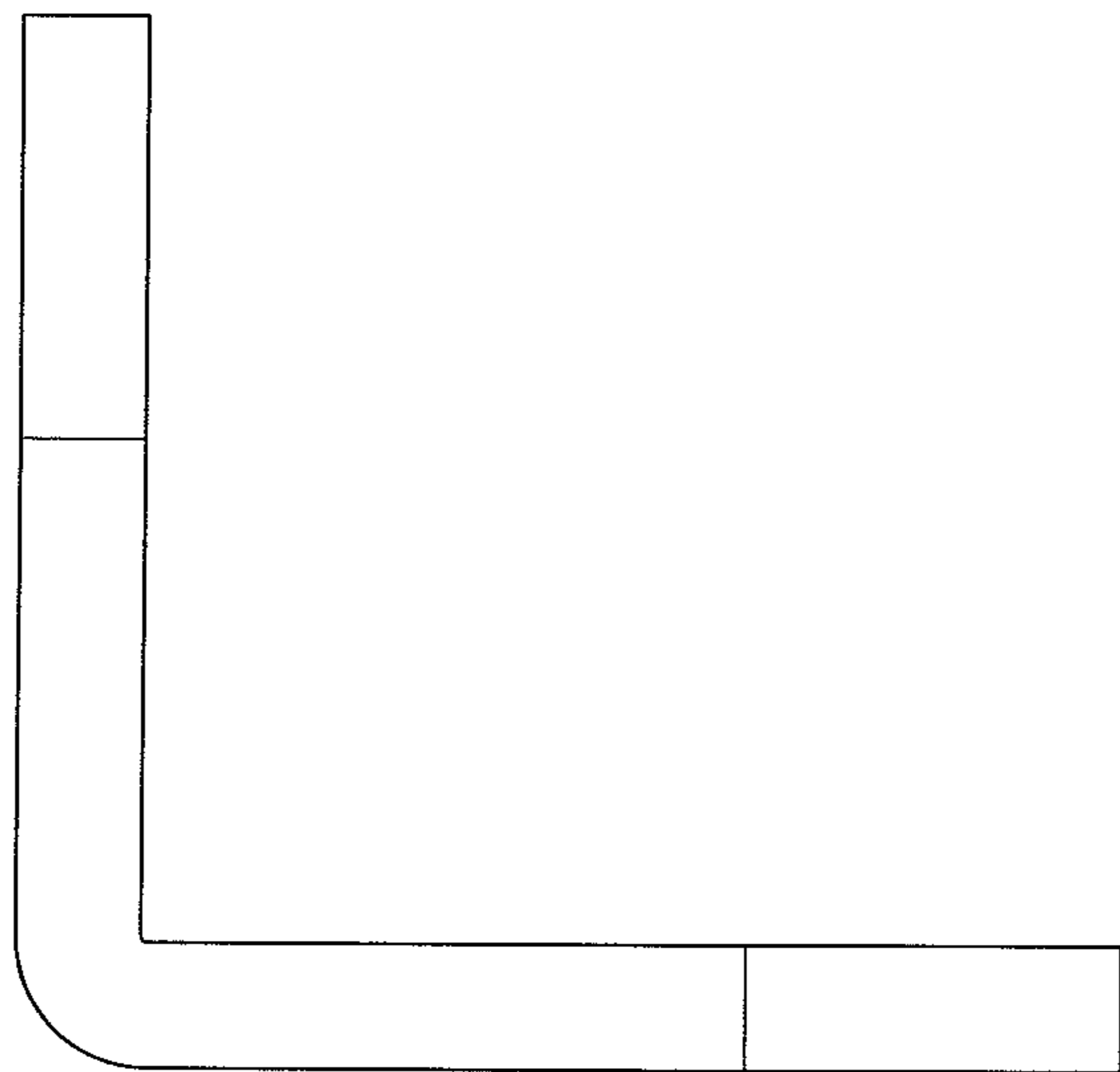


Fig. 4

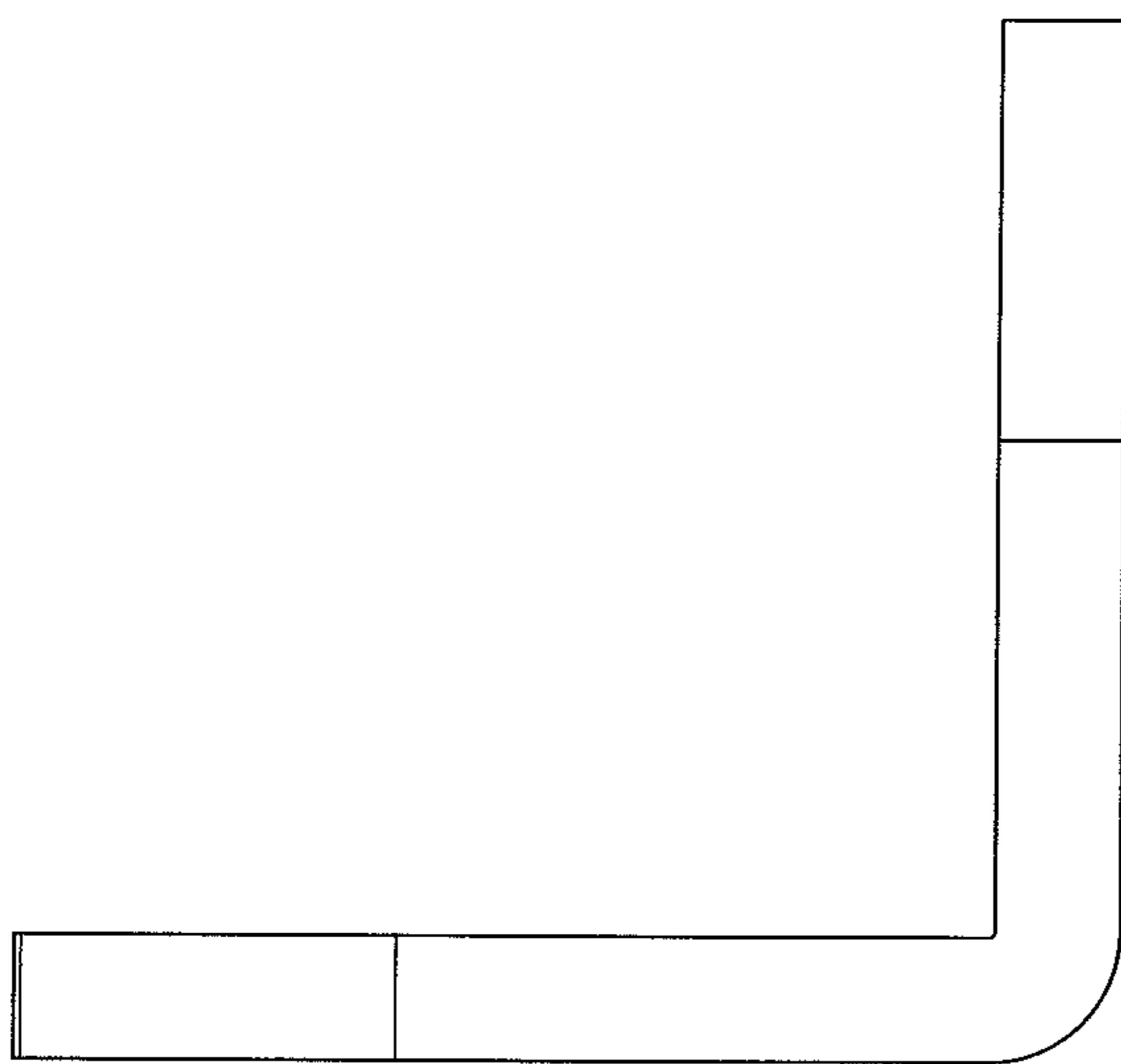


Fig. 5

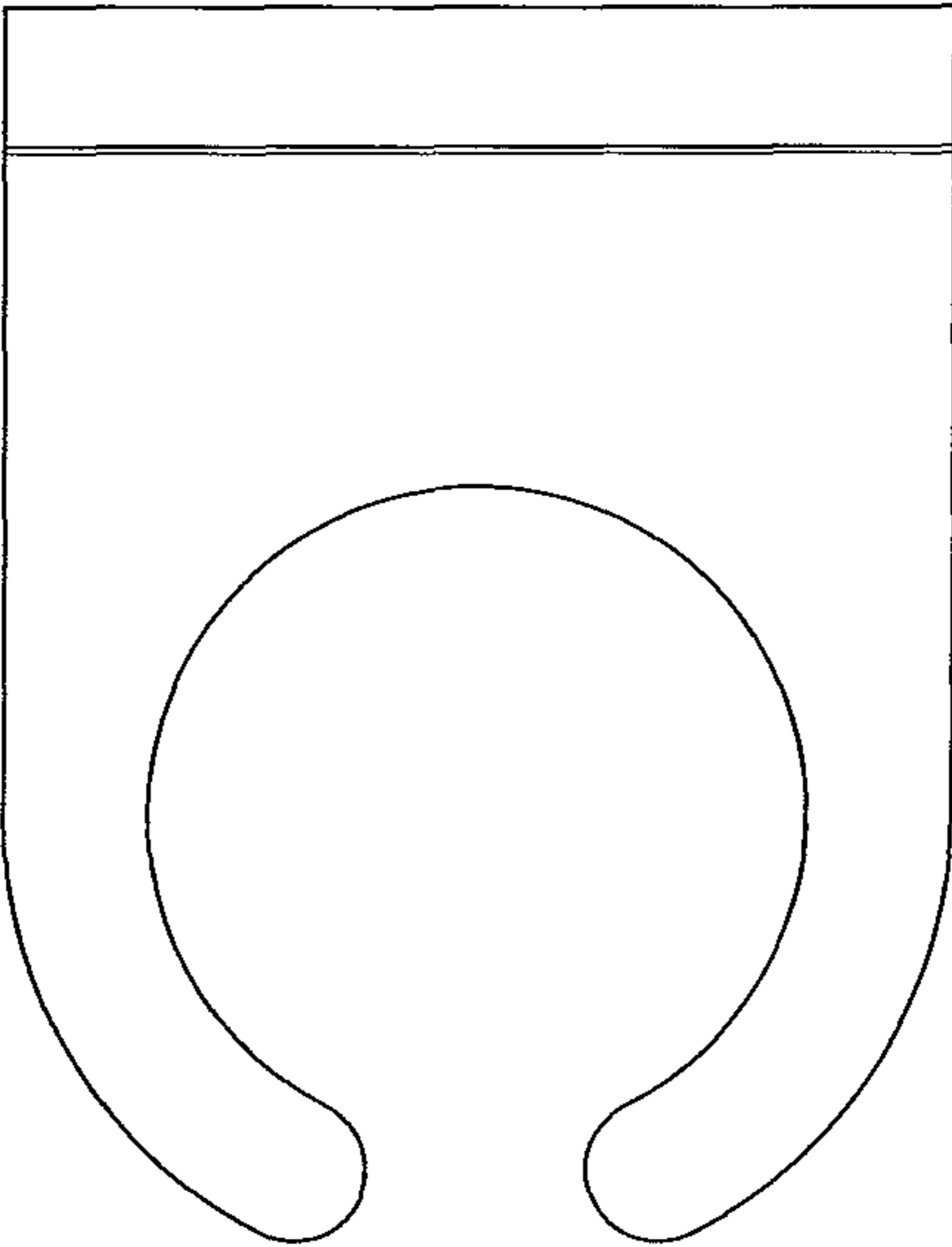


Fig. 6

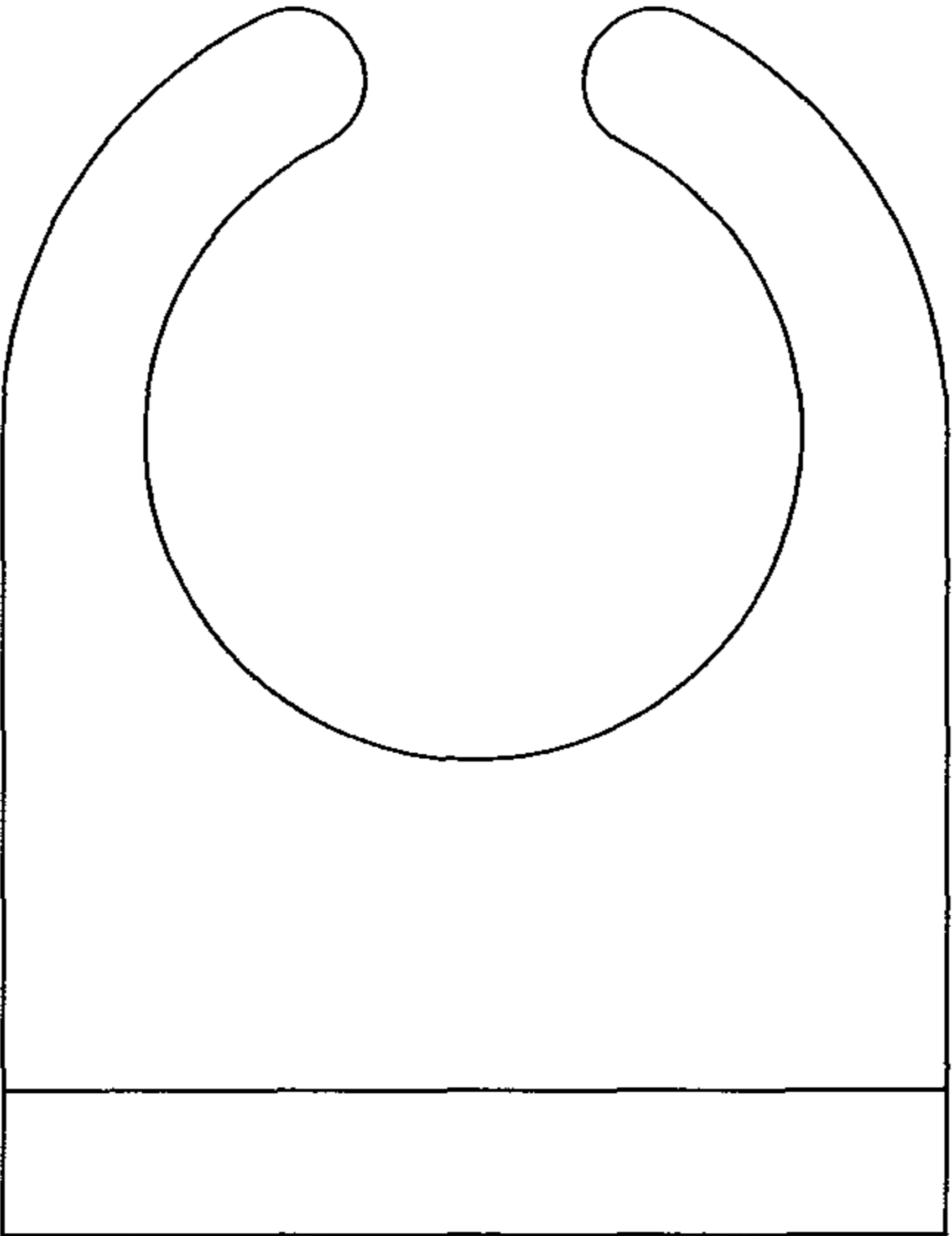


Fig. 7