

US00D736070S

(12) **United States Design Patent**  
**Kaneko et al.**

(10) **Patent No.:** **US D736,070 S**

(45) **Date of Patent:** **\*\* Aug. 11, 2015**

(54) **SWIVEL HOOK**

(71) Applicant: **YKK Corporation**, Tokyo (JP)

(72) Inventors: **Hitoshi Kaneko**, Toyama (JP); **Yu Hashimoto**, Tokyo (JP)

(73) Assignee: **YKK Corporation** (JP)

(\*\*) Term: **14 Years**

(21) Appl. No.: **29/472,050**

(22) Filed: **Nov. 7, 2013**

(30) **Foreign Application Priority Data**

May 8, 2013 (JP) ..... 2013-010080

(51) **LOC (10) Cl.** ..... **08-05**

(52) **U.S. Cl.**  
USPC ..... **D8/367**

(58) **Field of Classification Search**  
USPC ..... D8/367, 354, 349, 373, 323, 356;  
D6/323; 248/301-304, 339; 24/132 R  
CPC ..... A47G 1/00; A47G 25/00  
See application file for complete search history.

(56) **References Cited**

**U.S. PATENT DOCUMENTS**

4,095,316 A \* 6/1978 Gabriel ..... 24/599.1  
D282,904 S \* 3/1986 Faidide ..... D8/367  
D307,705 S \* 5/1990 Mair ..... D8/367  
D375,252 S \* 11/1996 Serra Fabregas ..... D8/356  
D407,297 S \* 3/1999 Mihailovic ..... D8/367  
D468,997 S \* 1/2003 Chang ..... D8/356  
D527,988 S \* 9/2006 Shetler ..... D8/356

D556,550 S \* 12/2007 Hung ..... D8/367  
D565,392 S \* 4/2008 Shetler ..... D8/356  
D655,999 S \* 3/2012 Kelleghan ..... D8/356  
D668,528 S \* 10/2012 Chung ..... D8/356  
D671,293 S \* 11/2012 Fredriksson ..... D34/35  
D680,420 S \* 4/2013 Ellis ..... D8/367  
D699,098 S \* 2/2014 Fretz ..... D8/367  
D700,043 S \* 2/2014 Paik et al. .... D8/367  
2008/0209700 A1 \* 9/2008 Goldberg ..... 24/599.6

\* cited by examiner

*Primary Examiner* — Cynthia Underwood

(74) *Attorney, Agent, or Firm* — Kilpatrick Townsend & Stockton LLP

(57) **CLAIM**

The ornamental design for a swivel hook, as shown and described.

**DESCRIPTION**

FIG. 1 is a first perspective view of the front, top and left side of a swivel hook showing my new design;  
FIG. 2 is a second perspective view of the front, bottom and right side thereof;  
FIG. 3 is a third perspective view of the front, bottom and left side thereof;  
FIG. 4 is a front view thereof;  
FIG. 5 is a rear view thereof;  
FIG. 6 is a left side view thereof;  
FIG. 7 is a right side view thereof;  
FIG. 8 is a top plan view thereof; and,  
FIG. 9 is a bottom view thereof.

The broken lines shown are included for the purpose of illustrating the unclaimed portions of the swivel hook and form no part of the claimed design.

**1 Claim, 7 Drawing Sheets**

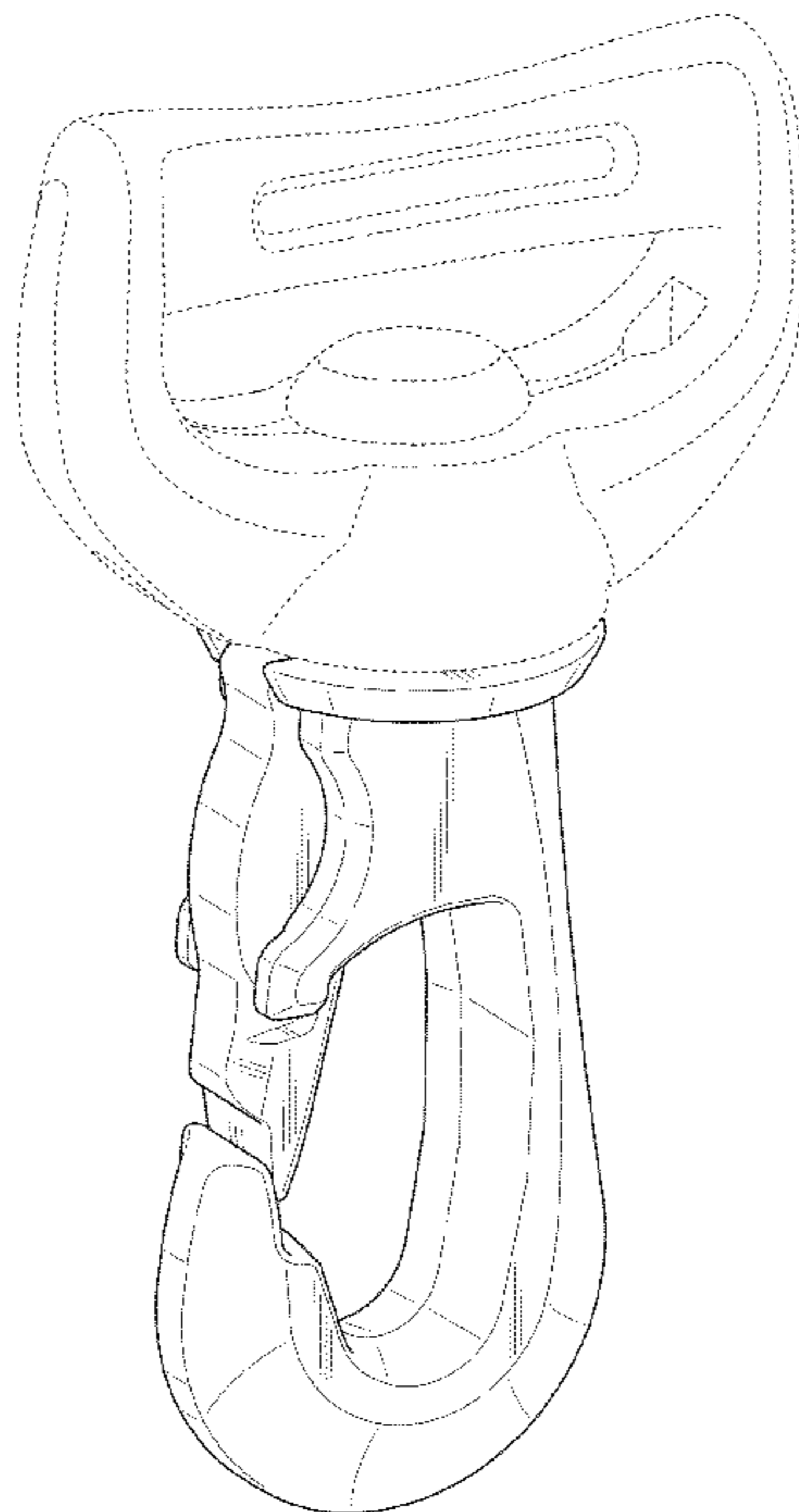


Fig. 1

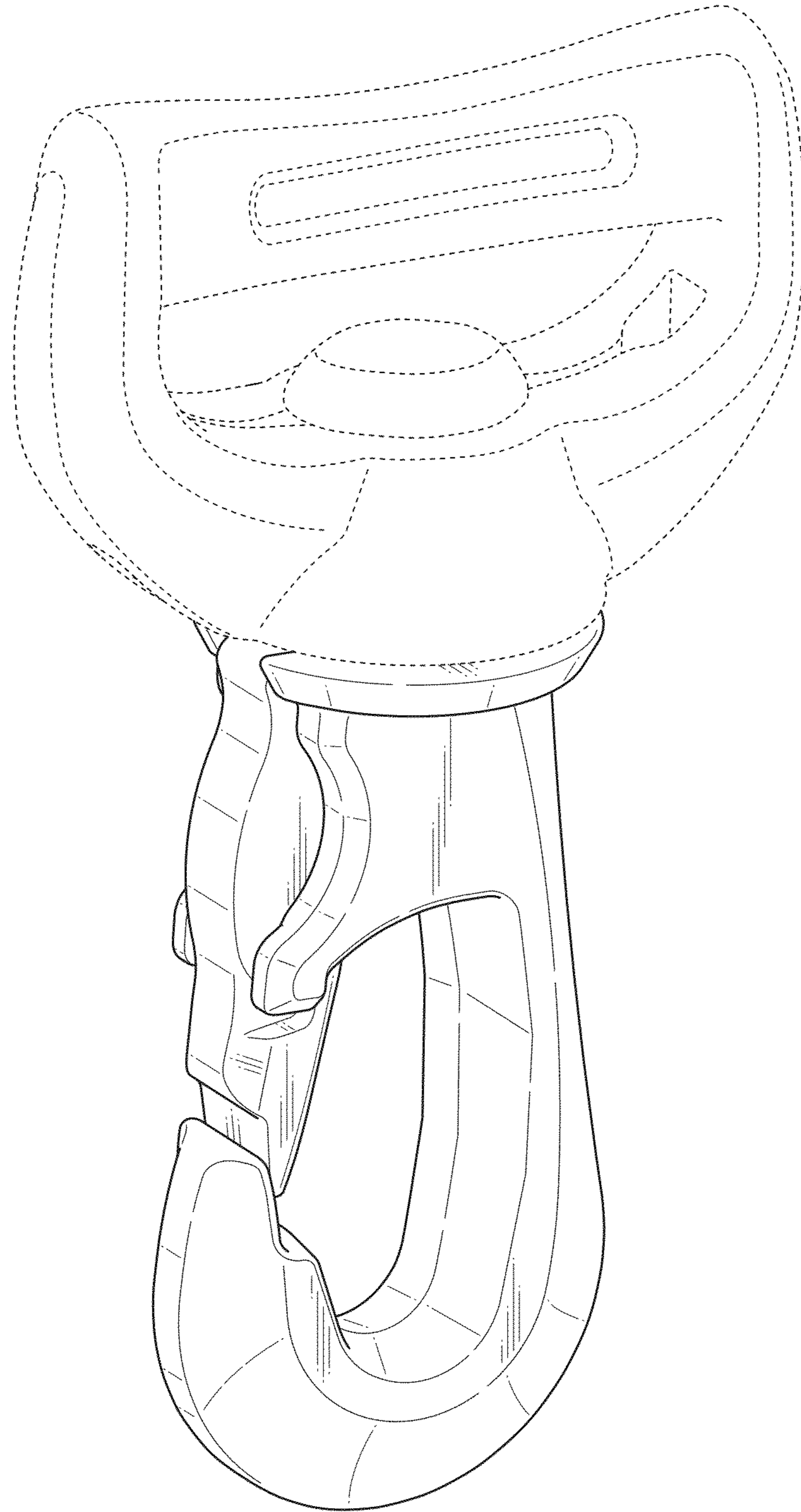


Fig. 2

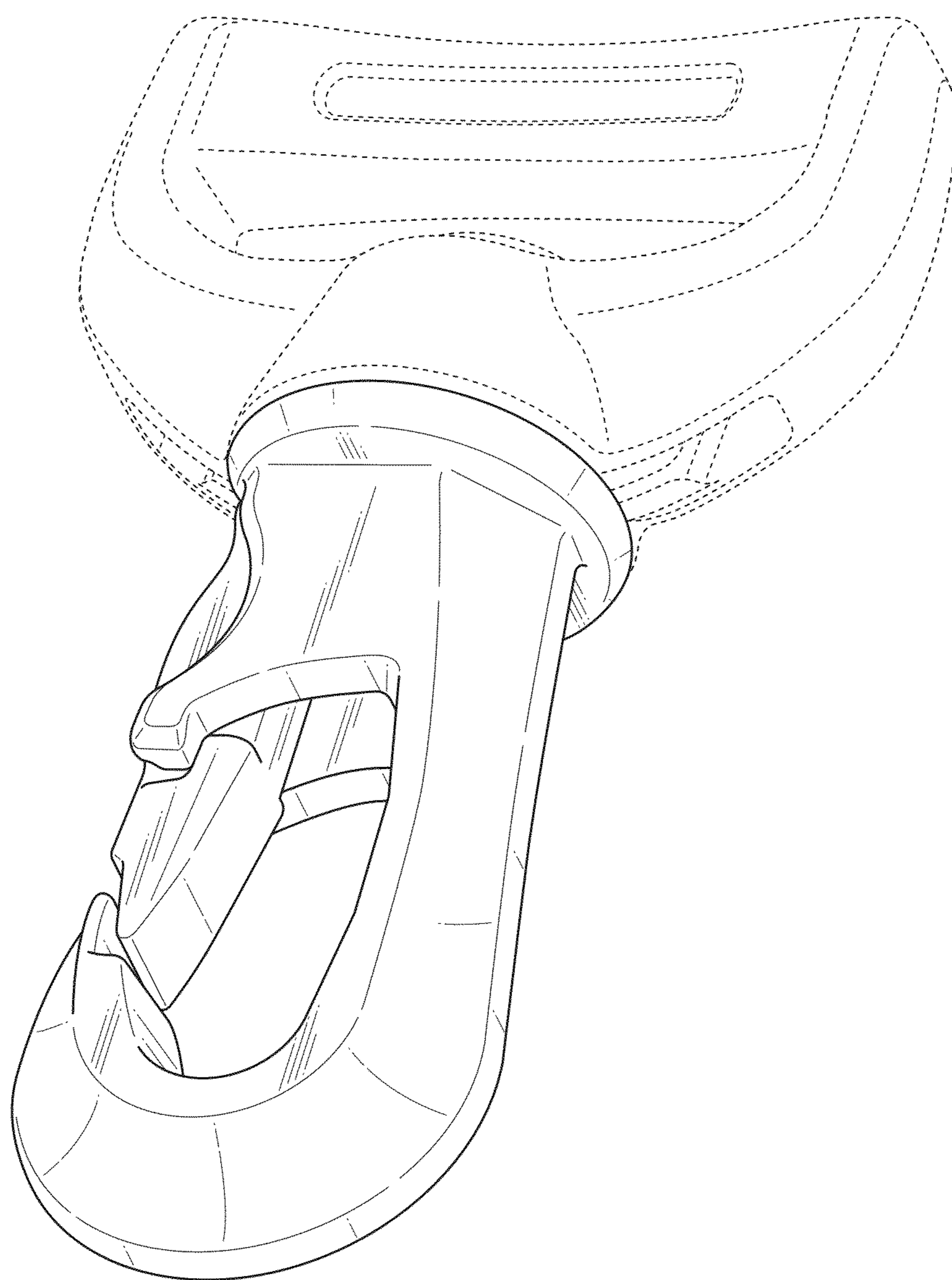


Fig. 3

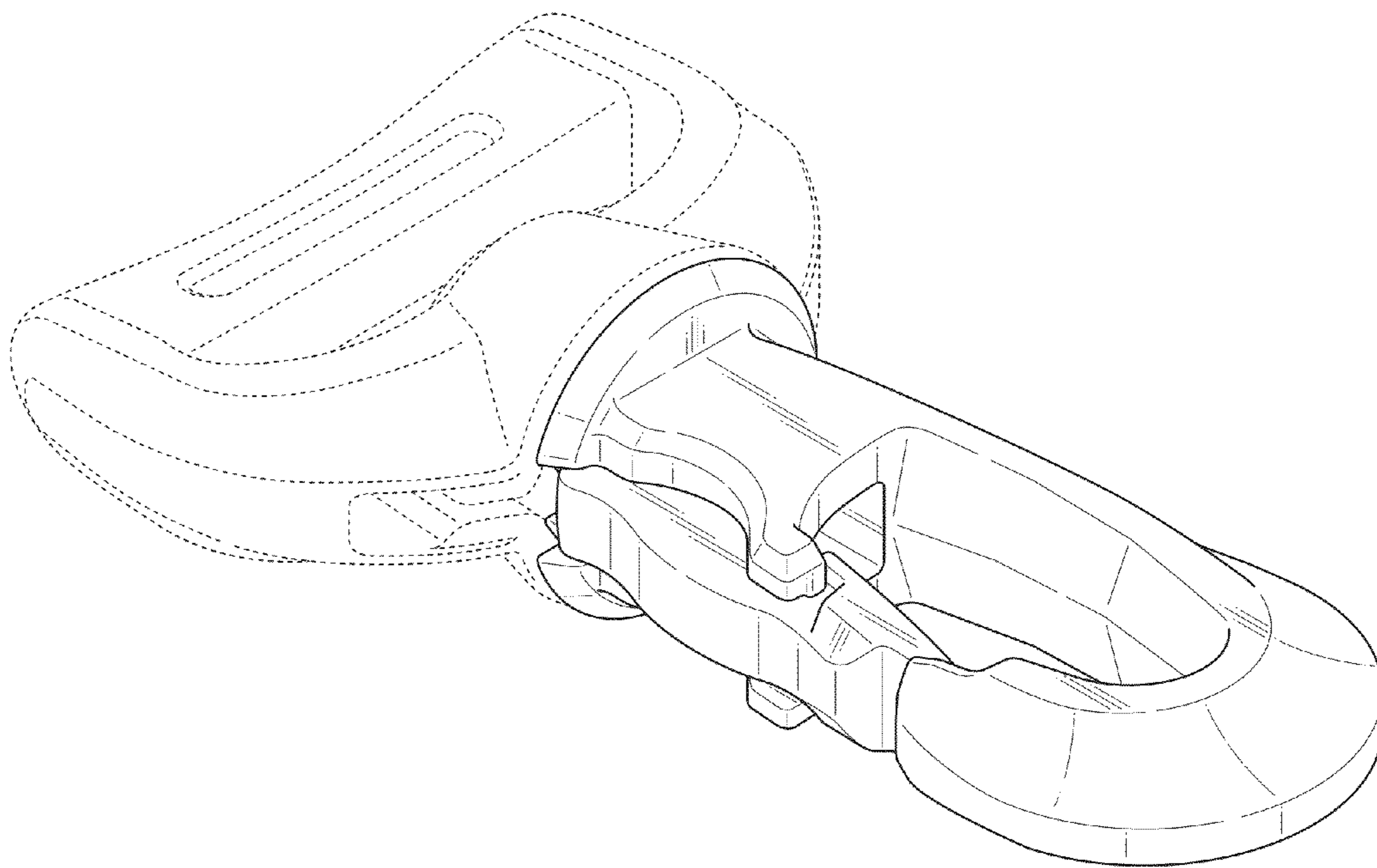


Fig. 4

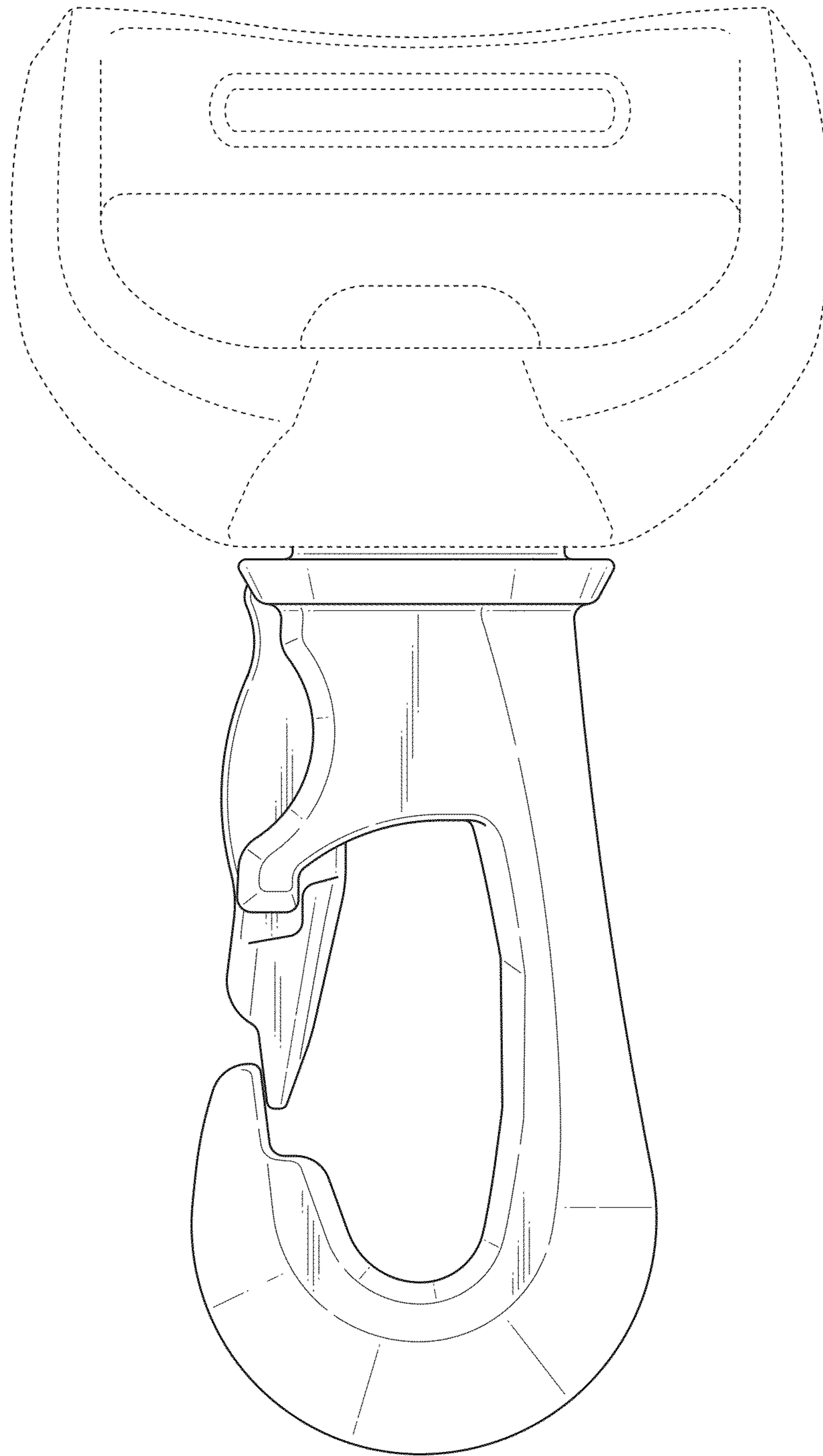


Fig. 5

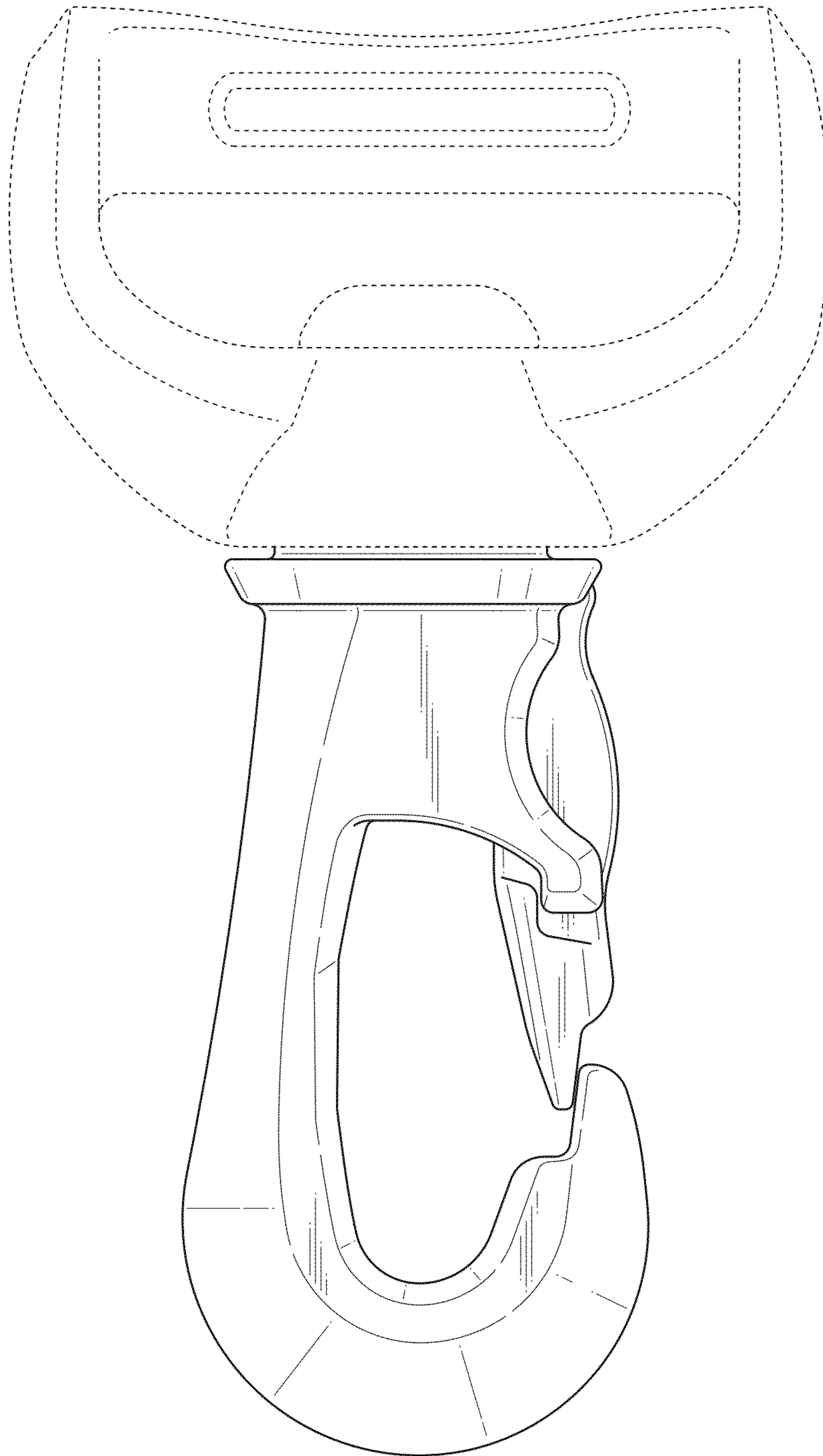


Fig. 6

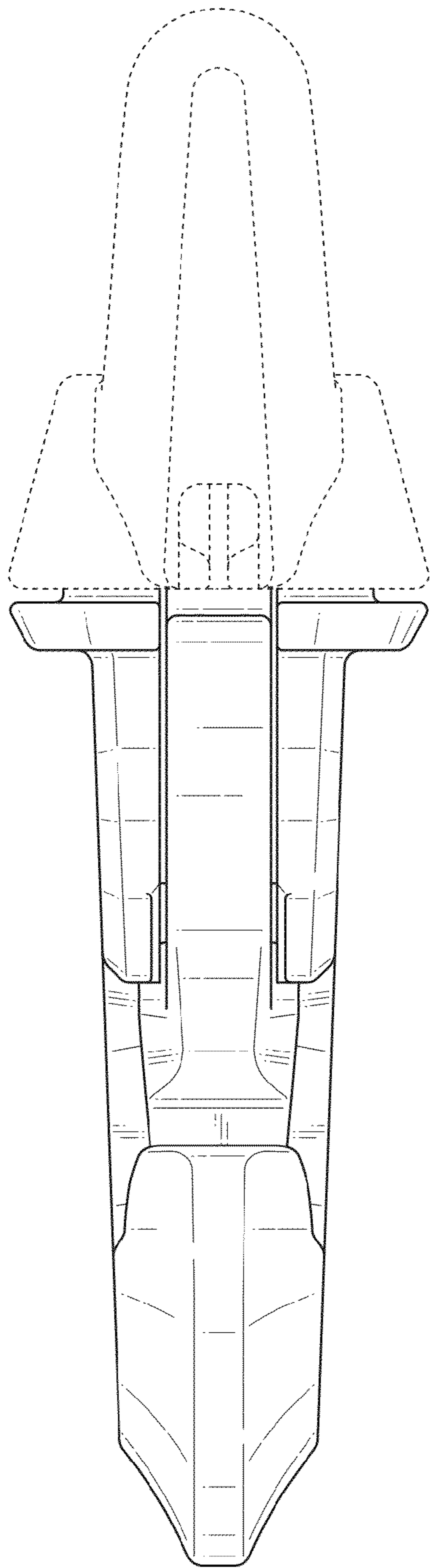


Fig. 7

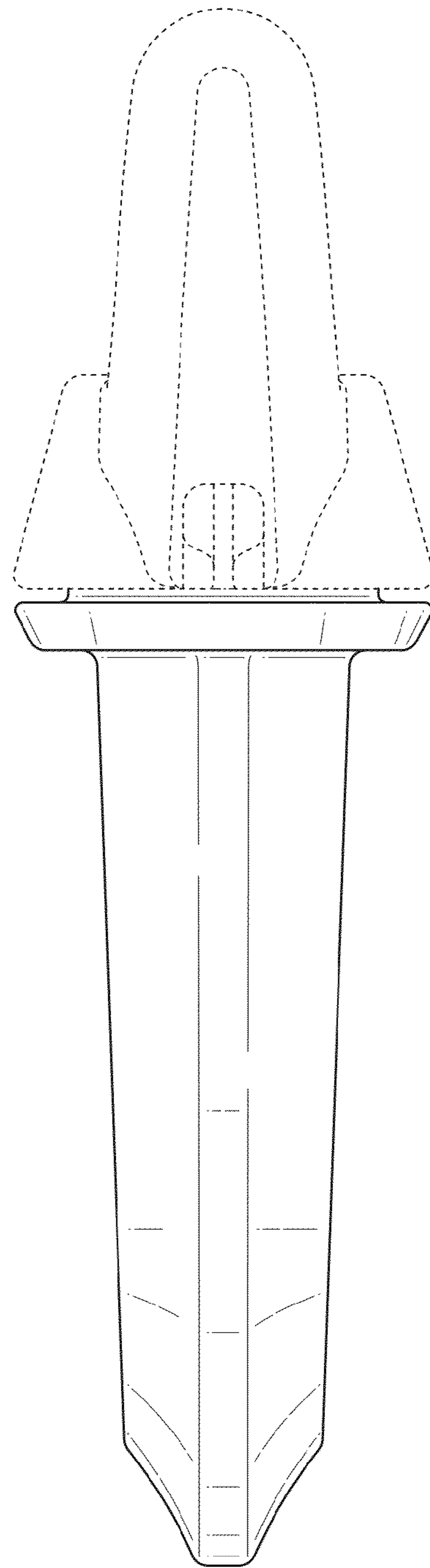


Fig. 8

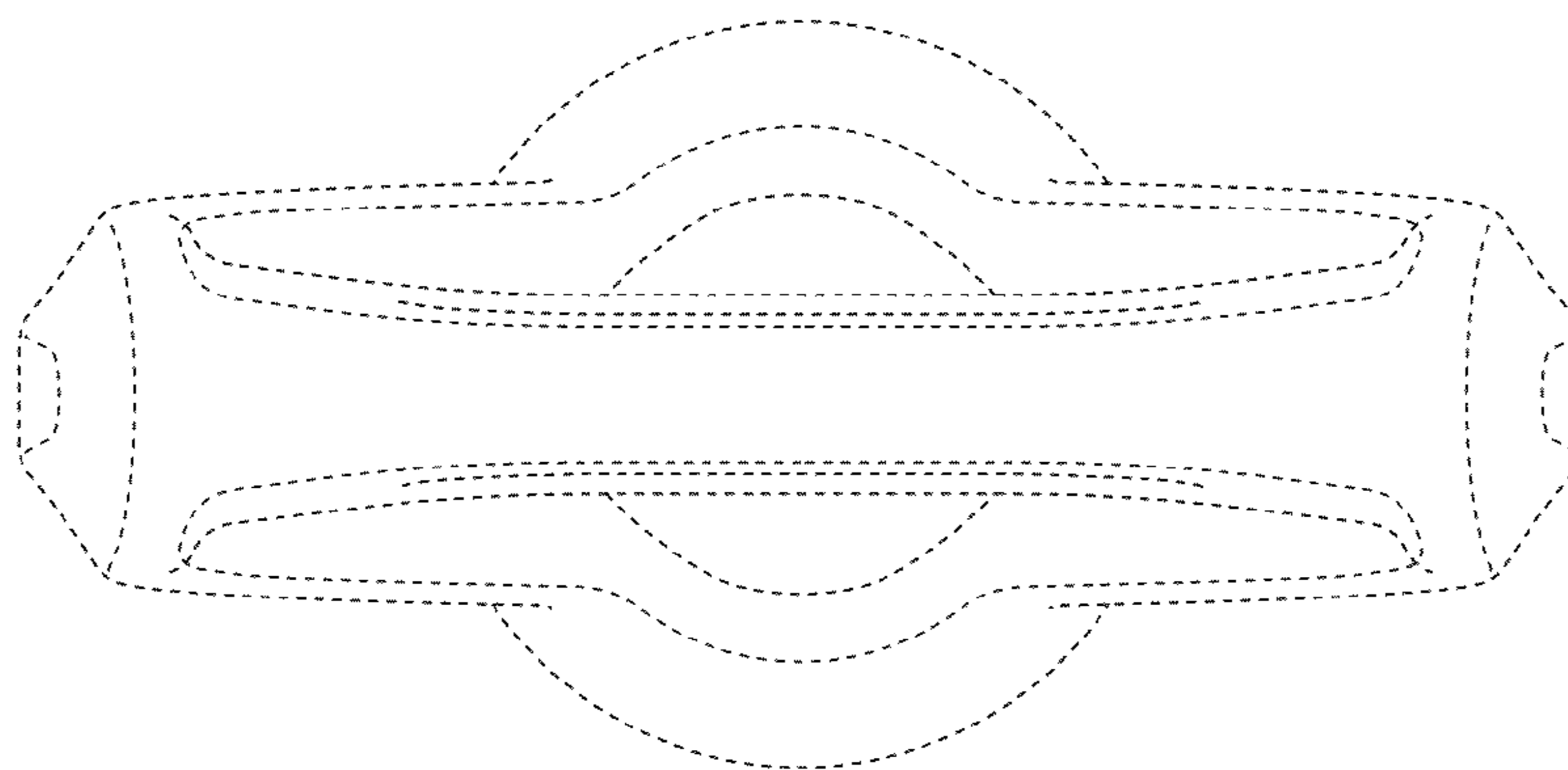


Fig. 9

