



US00D736068S

(12) **United States Design Patent**  
**Taylor et al.**

(10) **Patent No.:** **US D736,068 S**  
(45) **Date of Patent:** **\*\* Aug. 11, 2015**

(54) **CONNECTOR**

*Primary Examiner* — Holly Baynham

(71) Applicant: **Lyngsoe Systems Ltd.**, Mississauga (CA)

(57) **CLAIM**  
The ornamental design for a connector, as shown and described.

(72) Inventors: **Steve Taylor**, Mississauga (CA); **Mircea Paun**, Mississauga (CA); **Don Ferguson**, Mississauga (CA)

**DESCRIPTION**

(\*\*) Term: **14 Years**

FIG. 1 is a top perspective view of the connector in accordance with an embodiment of our design;  
FIG. 2 is a right side view thereof;  
FIG. 3 is a left side view thereof;  
FIG. 4 is a rear view thereof;  
FIG. 5 is front view thereof;  
FIG. 6 is top view thereof;  
FIG. 7 is bottom view thereof;  
FIG. 8 is a top perspective view of the connector in accordance with an alternate embodiment of our design;  
FIG. 9 is a right side view thereof;  
FIG. 10 is a left side view thereof;  
FIG. 11 is a rear view thereof;  
FIG. 12 is front view thereof;  
FIG. 13 is top view thereof; and,  
FIG. 14 is bottom view thereof.

(21) Appl. No.: **29/478,762**

(22) Filed: **Jan. 8, 2014**

(51) **LOC (10) Cl.** ..... **08-05**

(52) **U.S. Cl.**  
USPC ..... **D8/355**

(58) **Field of Classification Search**  
USPC ..... D8/354, 355  
CPC ..... A47F 5/00; A47G 29/00; A47G 29/08;  
A47B 97/00

See application file for complete search history.

(56) **References Cited**

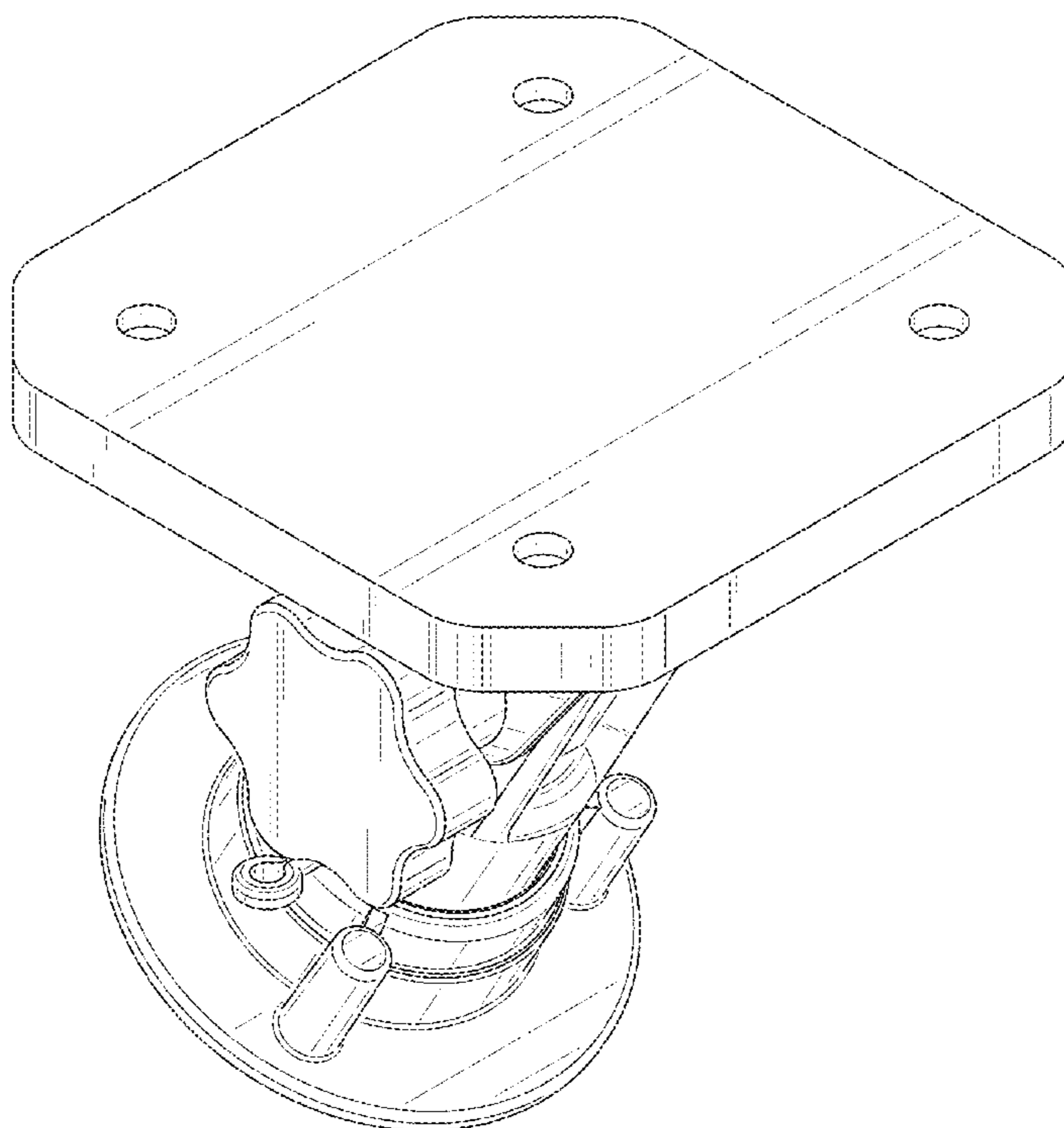
**U.S. PATENT DOCUMENTS**

7,007,906 B2 *	3/2006	Slatter	248/276.1
D560,116 S *	1/2008	Brassard	D8/380
D588,903 S *	3/2009	Carnevali	D8/355

\* cited by examiner

The broken lines showing a turn knob and protruding elements in the second embodiment are for the purposes of illustrating environment and form no part of the claimed design.

**1 Claim, 14 Drawing Sheets**



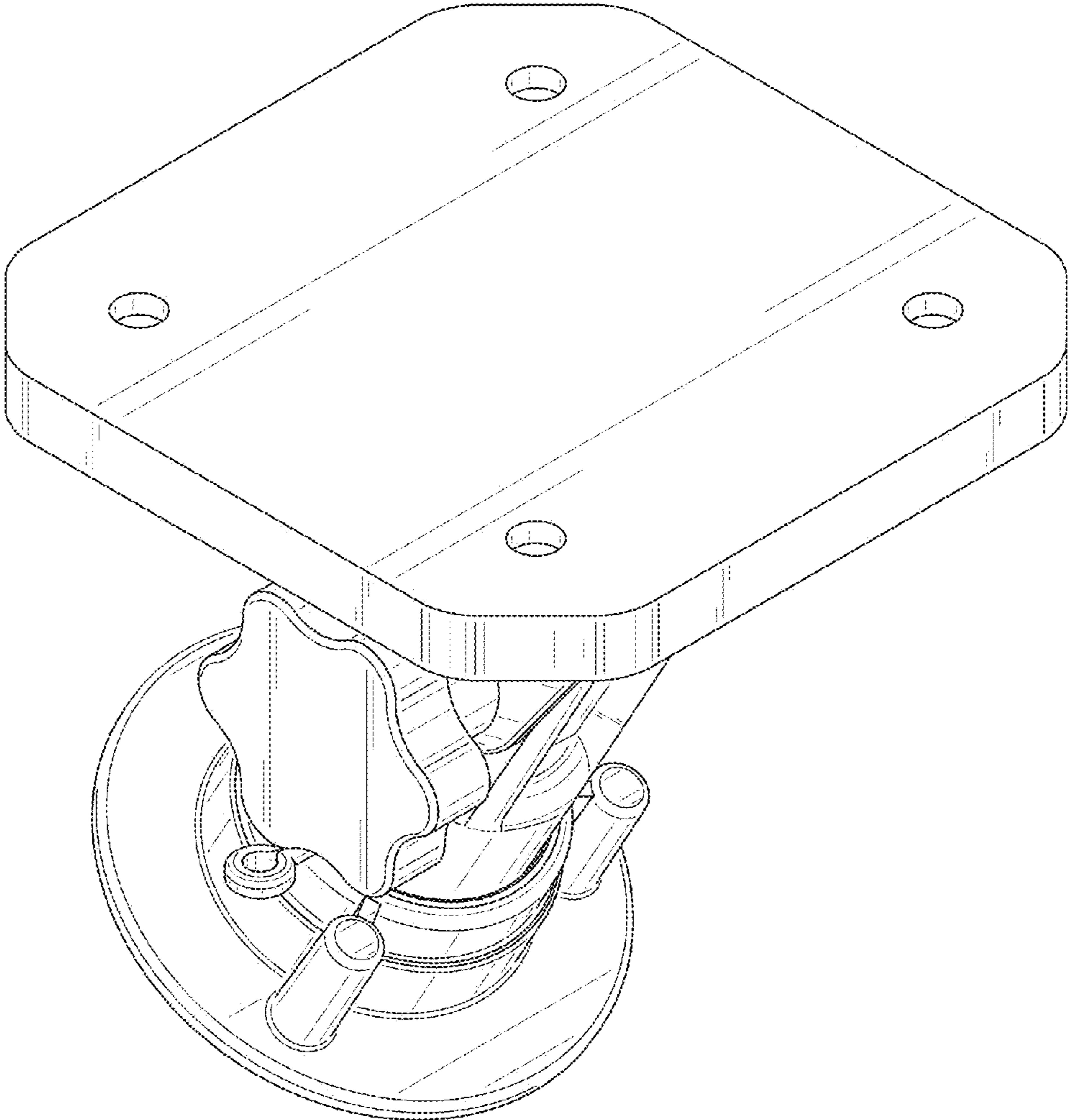


FIG. 1

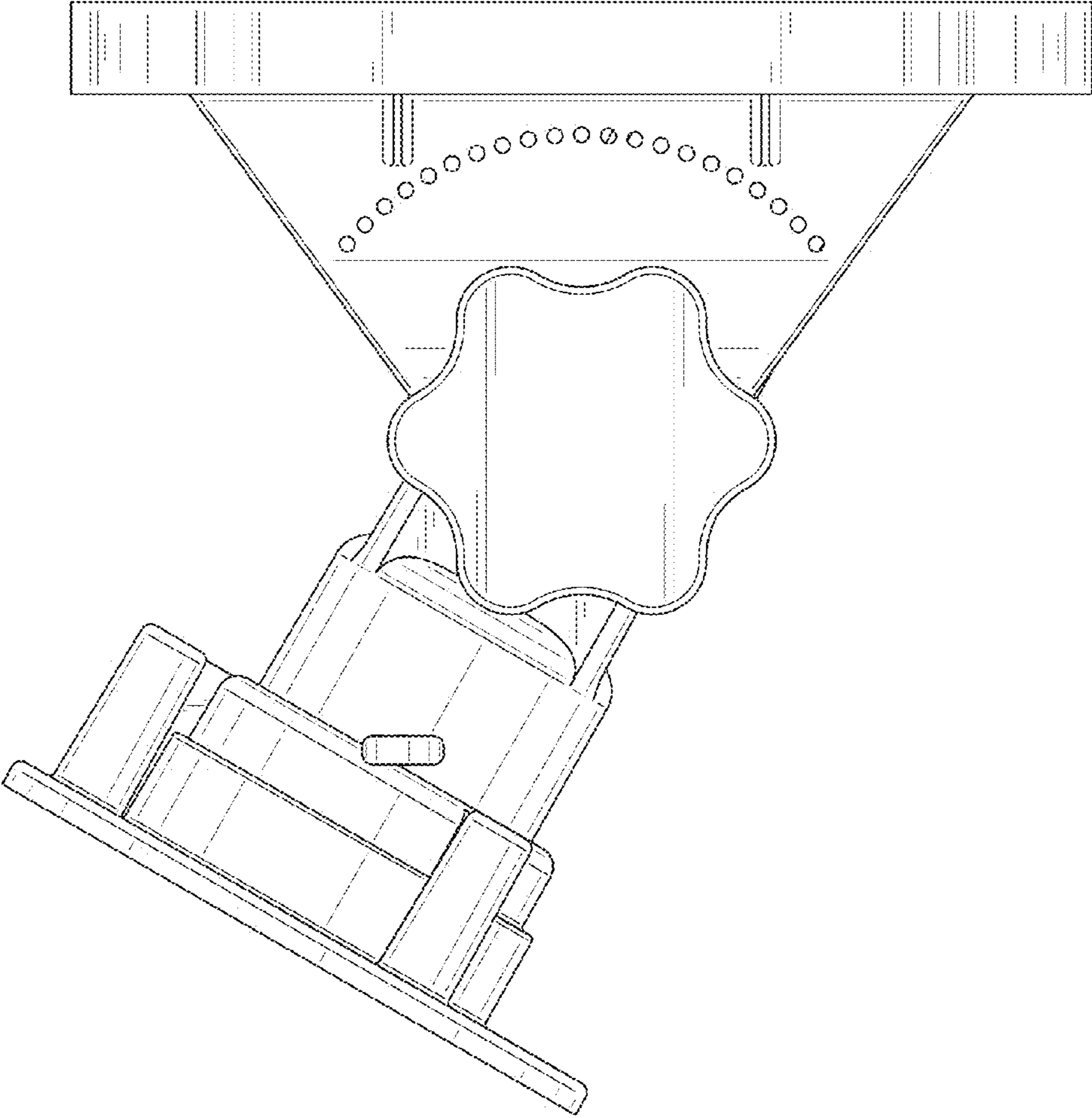


FIG. 2

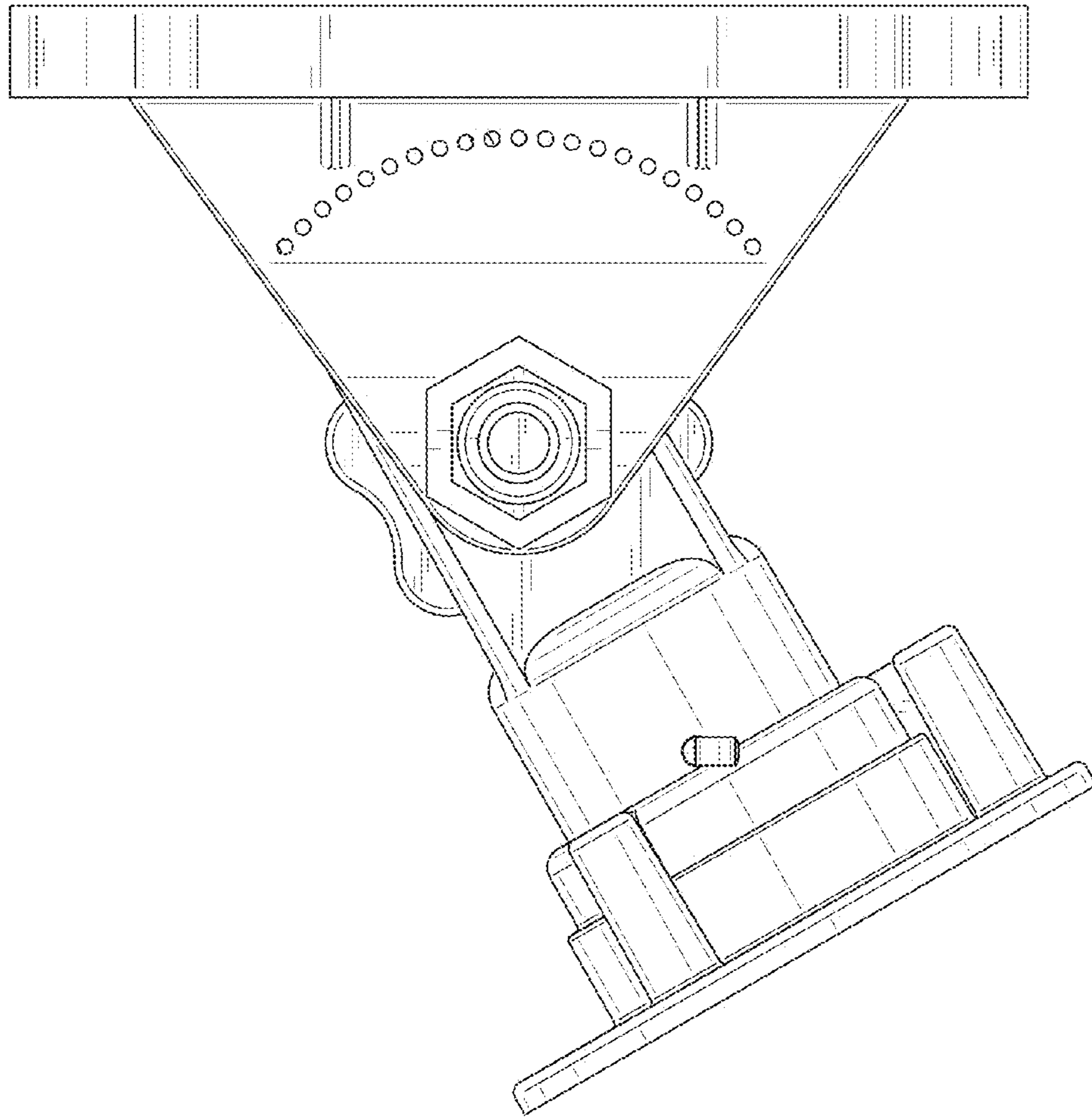


FIG. 3

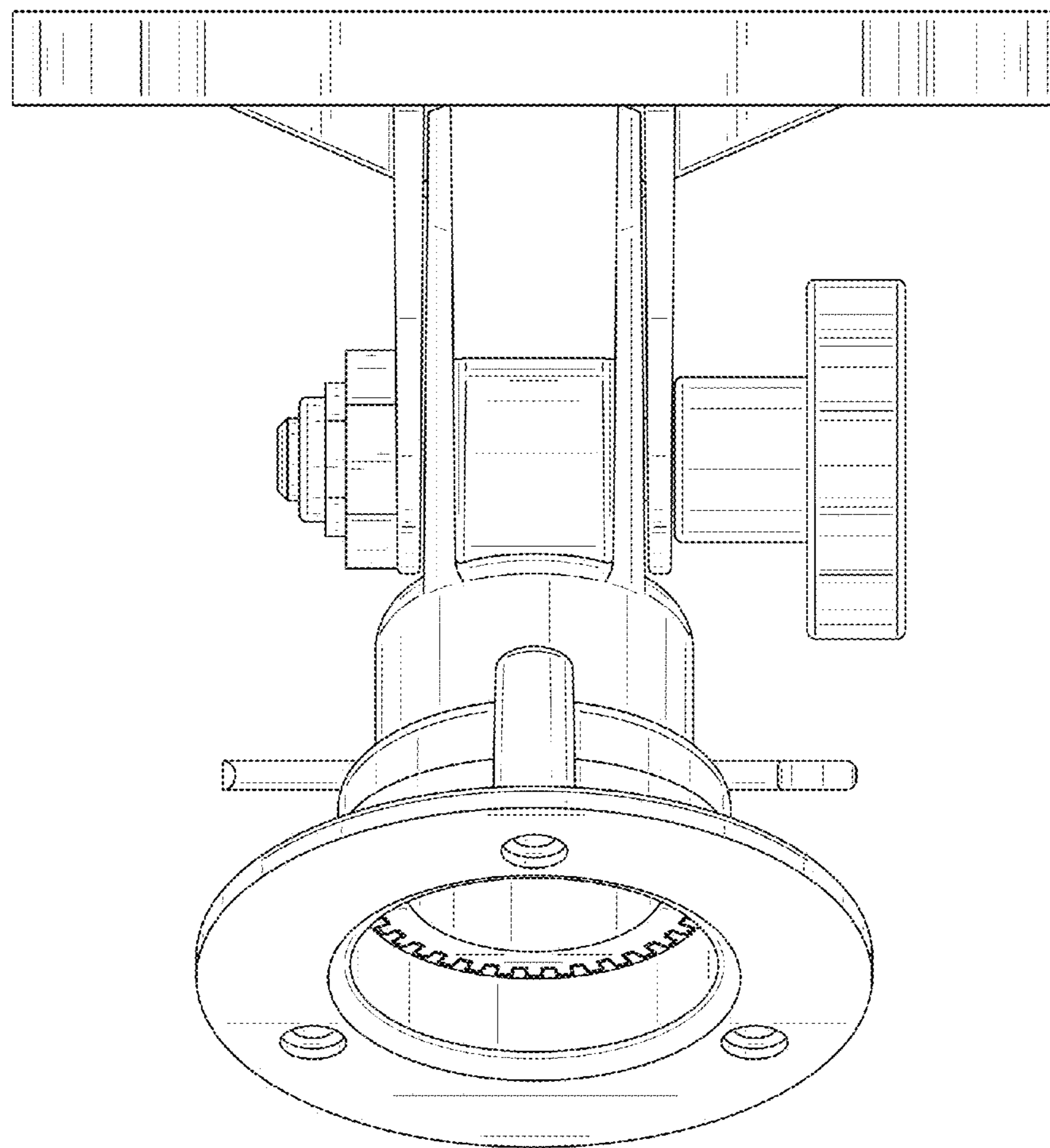


FIG. 4



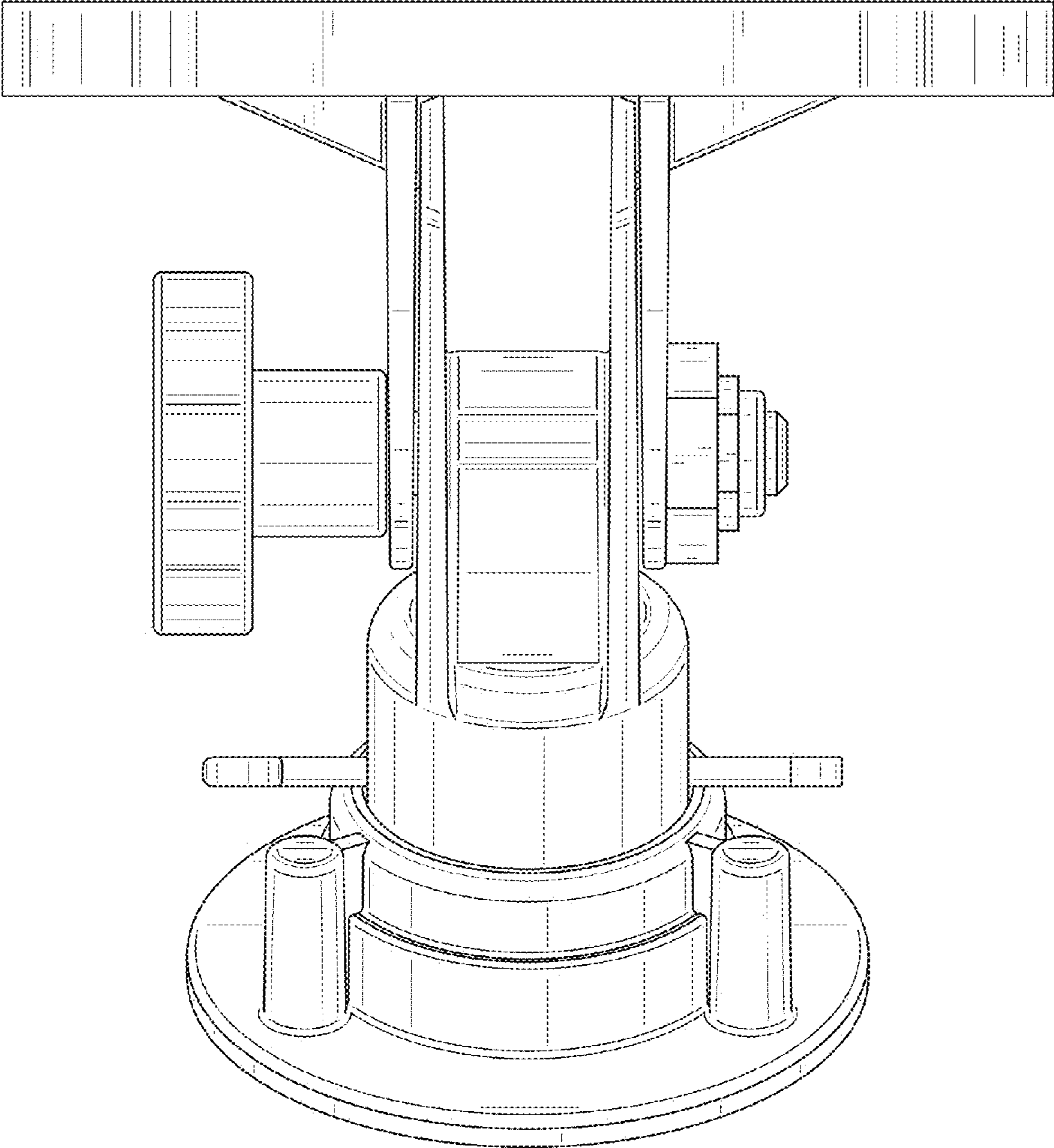


FIG. 5

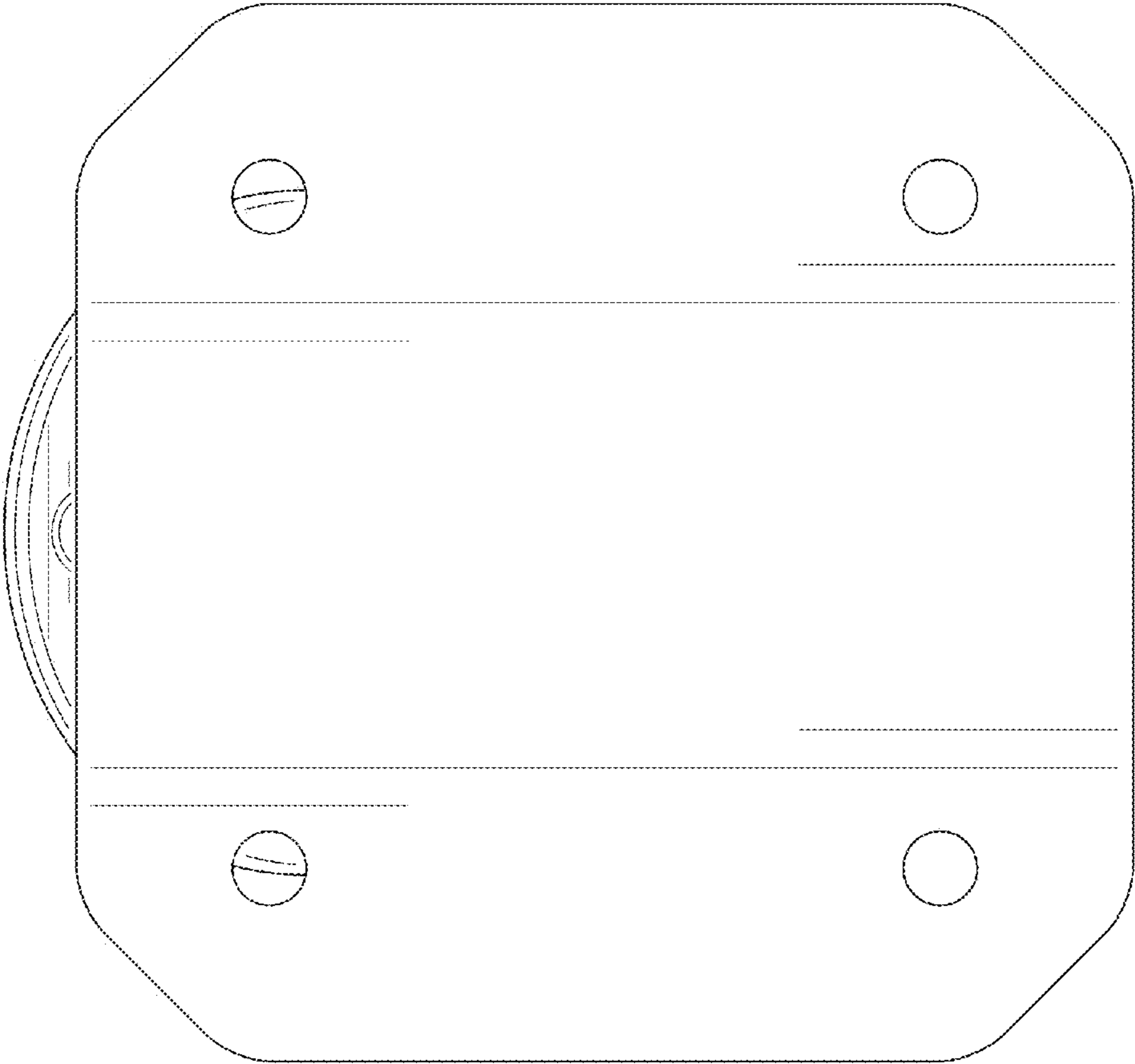


FIG. 6

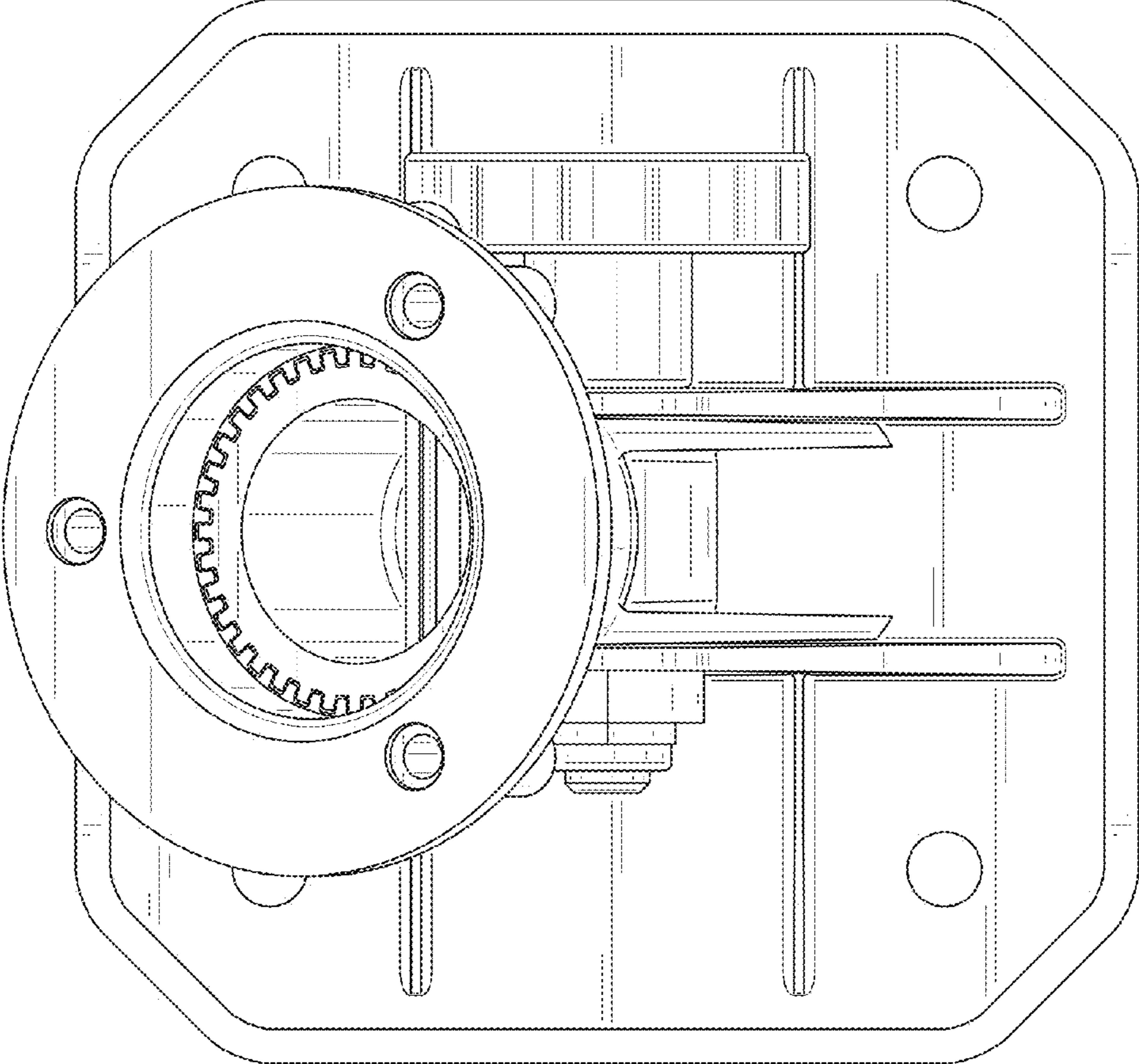


FIG. 7



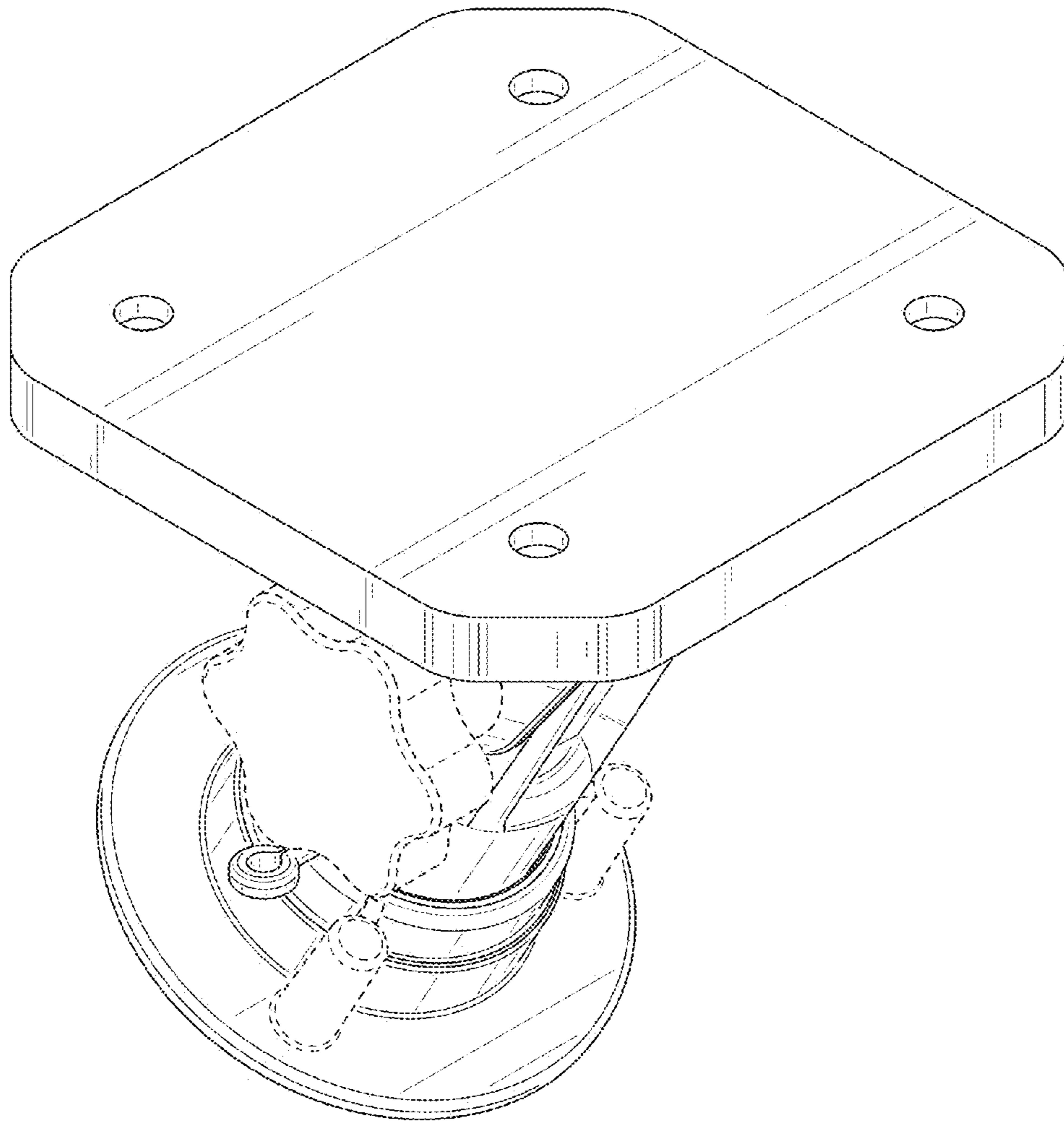


FIG. 8

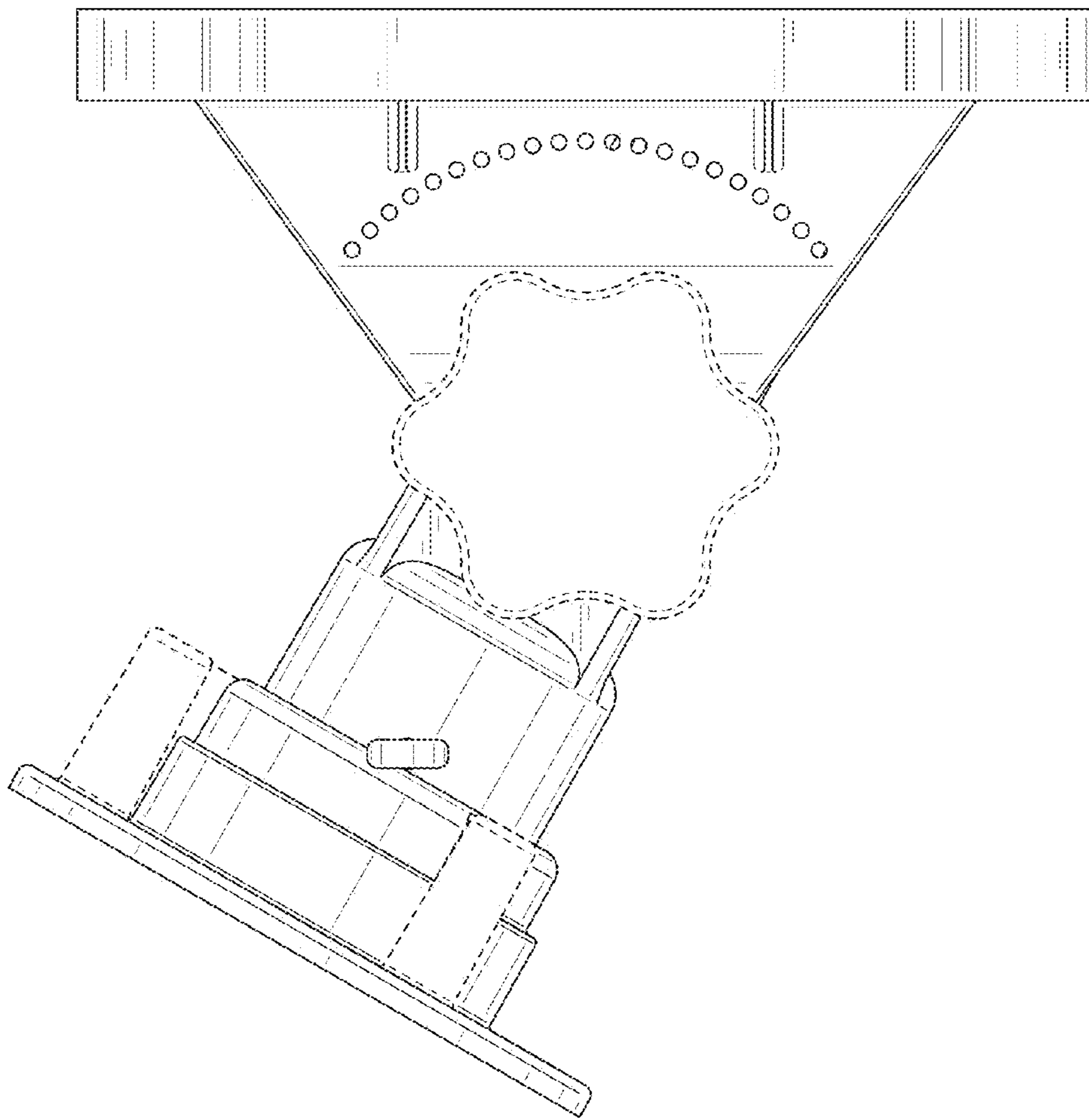


FIG. 9

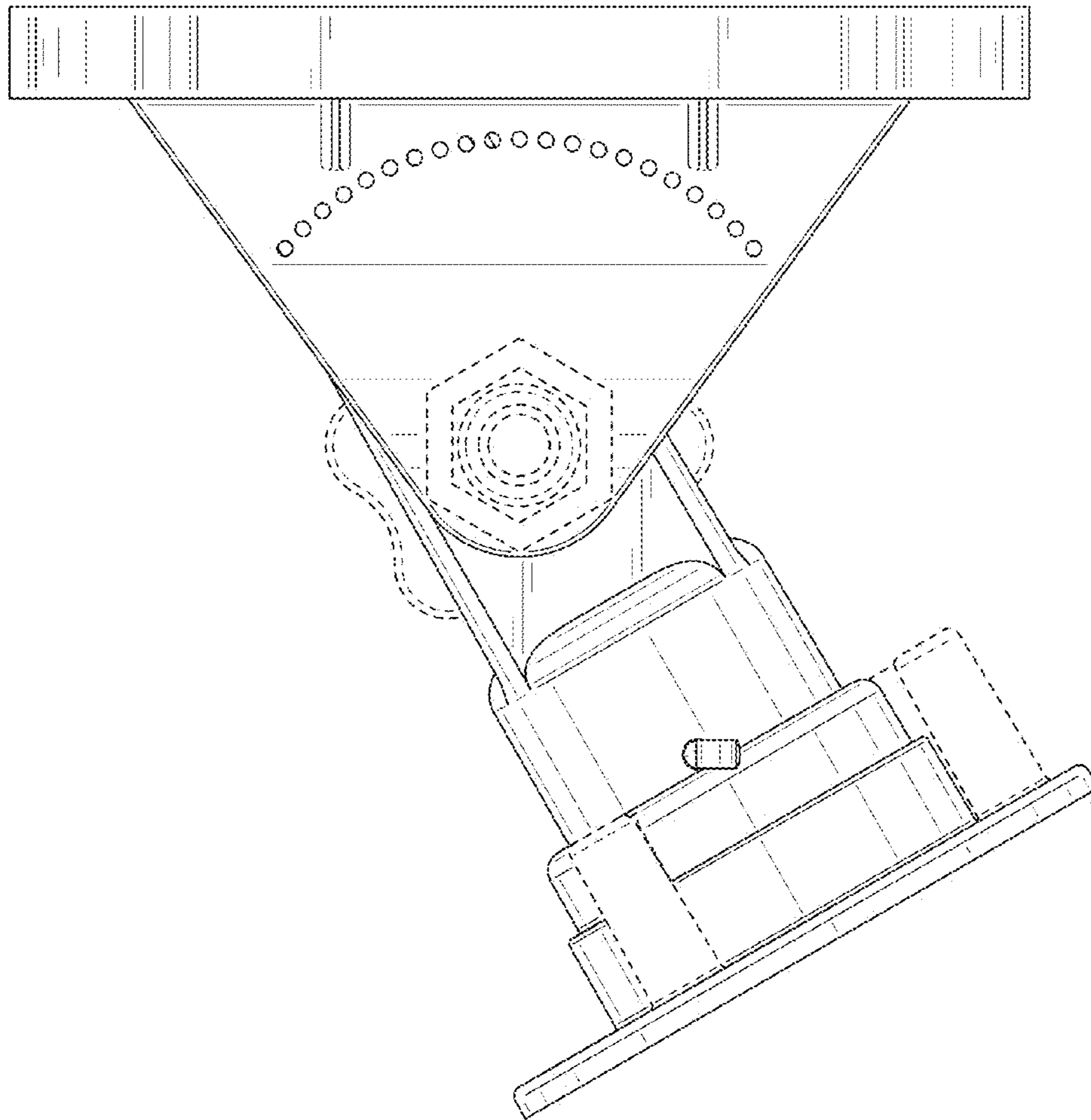


FIG. 10

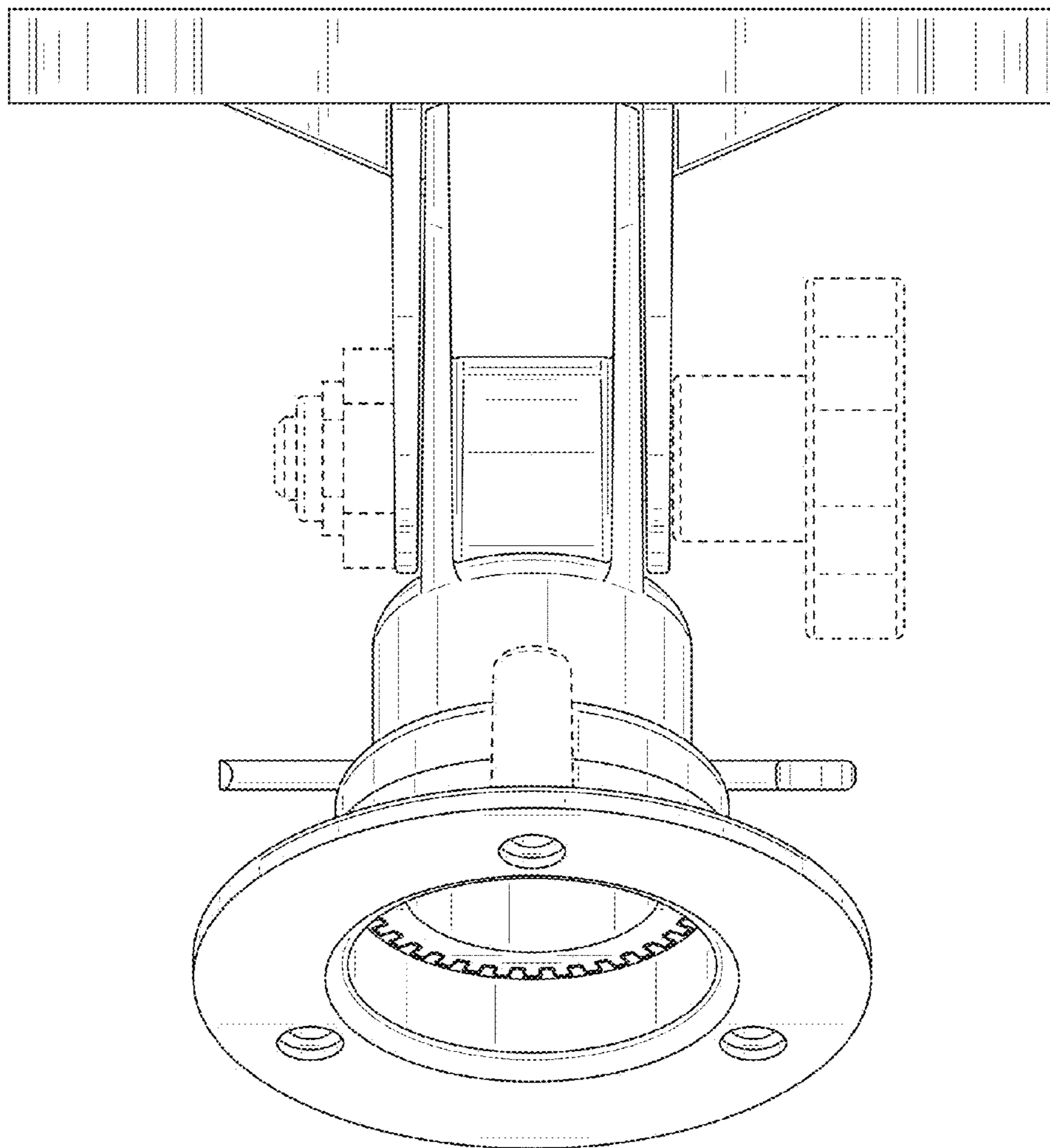


FIG. 11

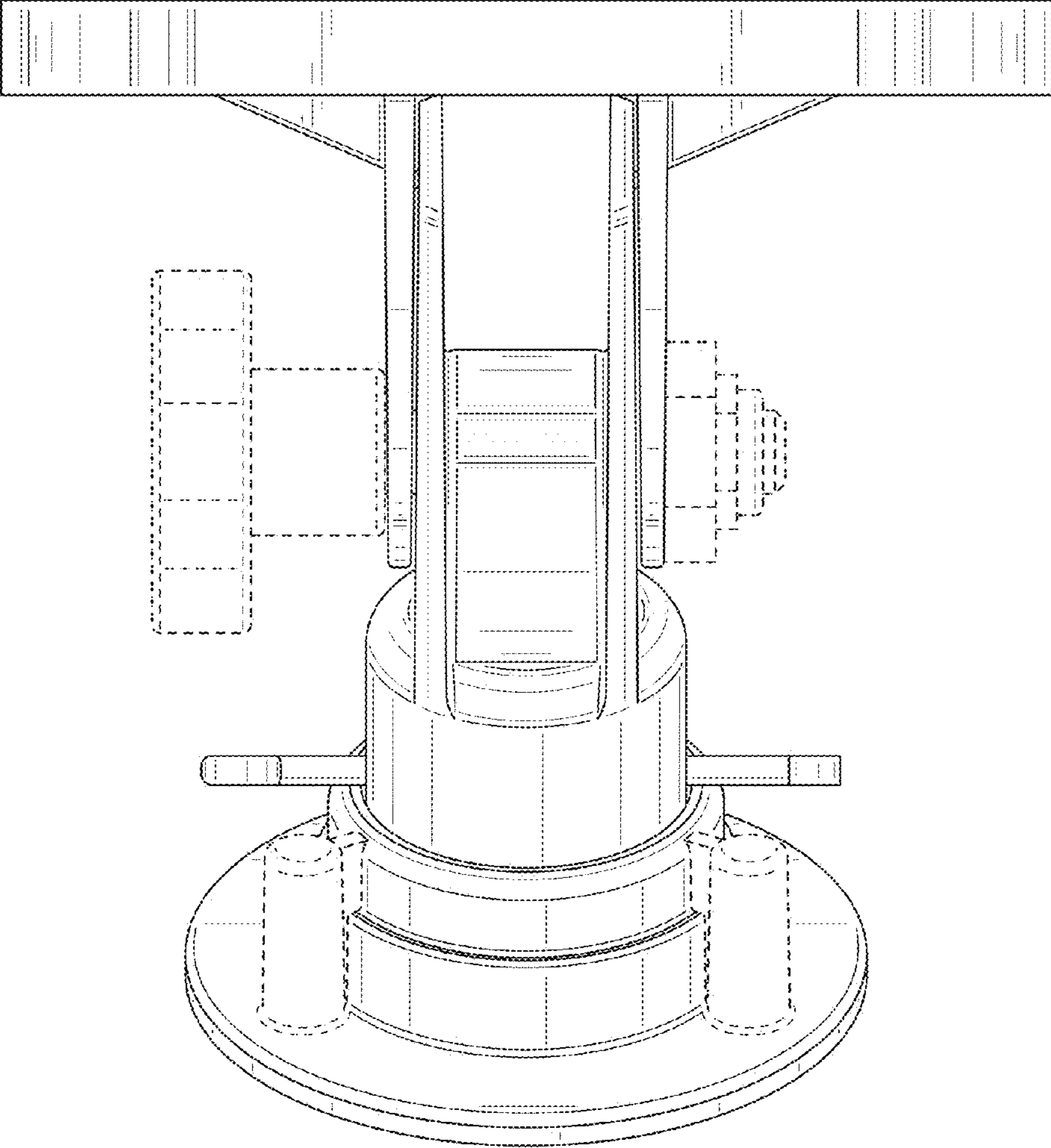


FIG. 12



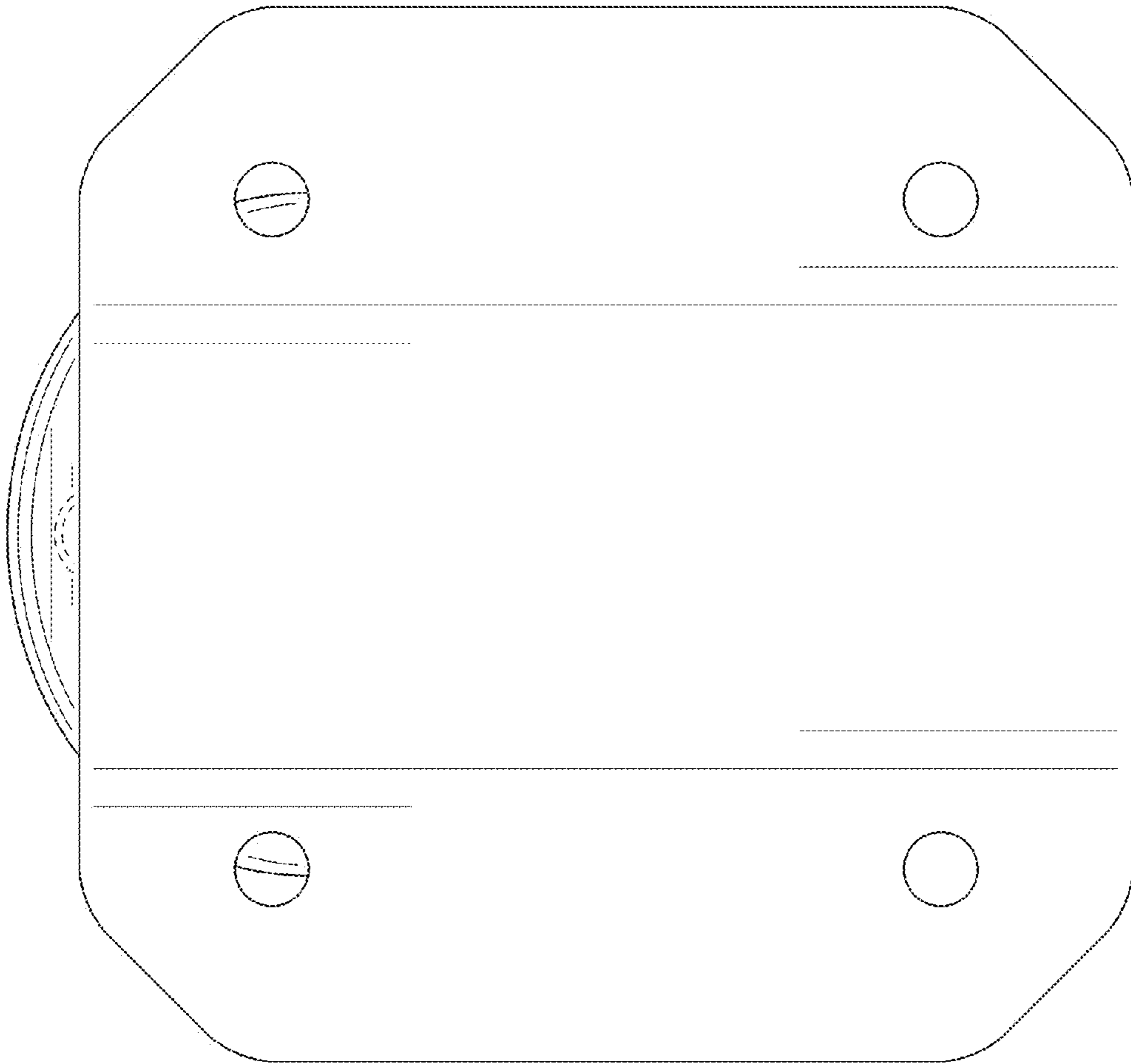


FIG. 13

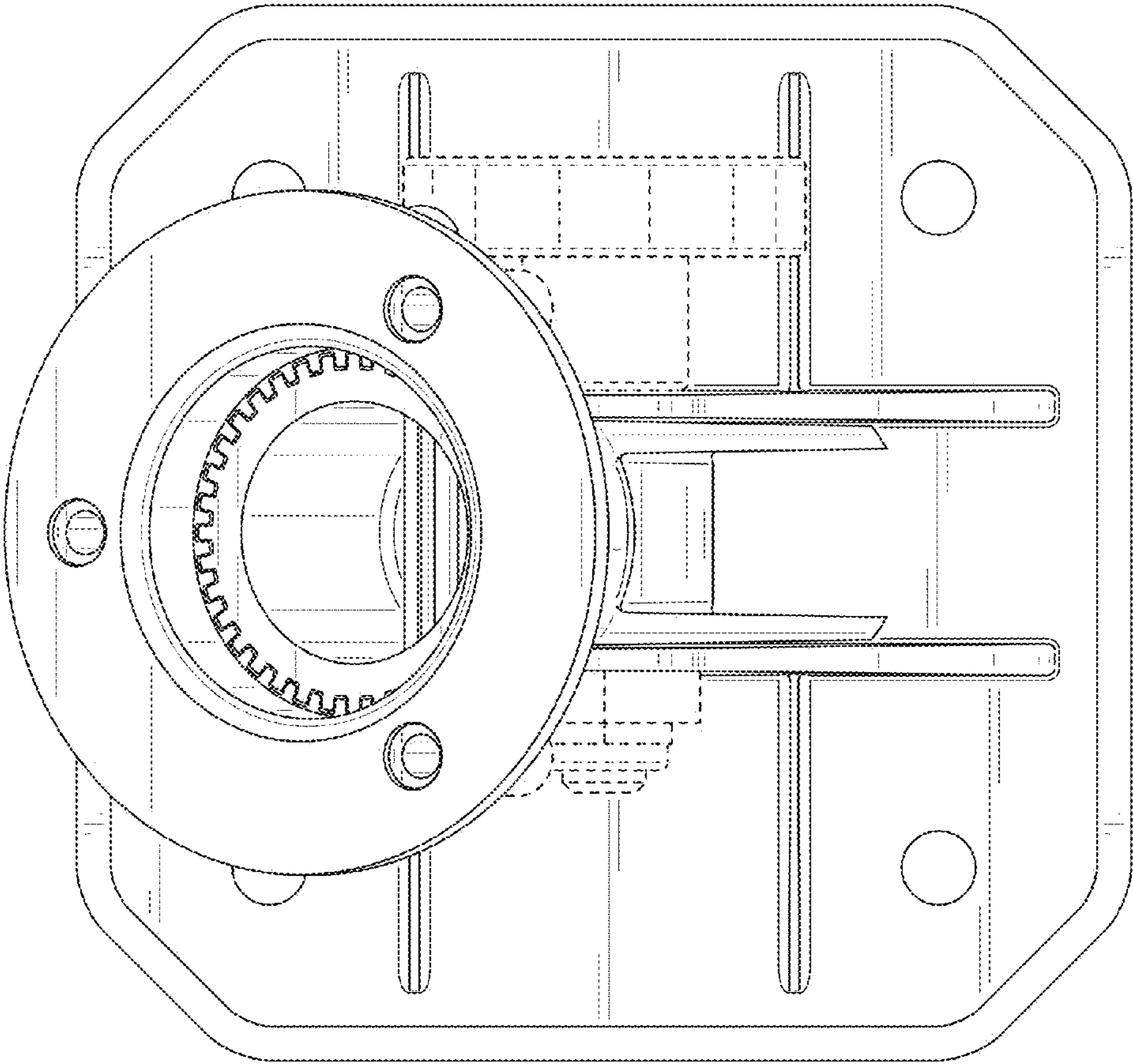


FIG. 14