

US00D736067S

(12) **United States Design Patent**  
**Manning**

(10) **Patent No.:** **US D736,067 S**

(45) **Date of Patent:** **\*\* Aug. 11, 2015**

(54) **WOOD POSITIONING DEVICE**

(56) **References Cited**

(71) Applicant: **Andrew J. Manning**, Mankato, MN  
(US)

U.S. PATENT DOCUMENTS

(72) Inventor: **Andrew J. Manning**, Mankato, MN  
(US)

D537,509 S \* 2/2007 Thielen ..... D23/337  
D612,477 S \* 3/2010 Simpson ..... D23/403  
8,047,498 B1 \* 11/2011 Karty ..... 248/545

(\*\*) Term: **14 Years**

\* cited by examiner

*Primary Examiner* — Holly Baynham  
(74) *Attorney, Agent, or Firm* — Dale J. Ream

(21) Appl. No.: **29/477,974**

(57) **CLAIM**  
The ornamental design for a wood positioning device, as shown and described.

(22) Filed: **Dec. 30, 2013**

**DESCRIPTION**

(51) **LOC (10) Cl.** ..... **08-05**

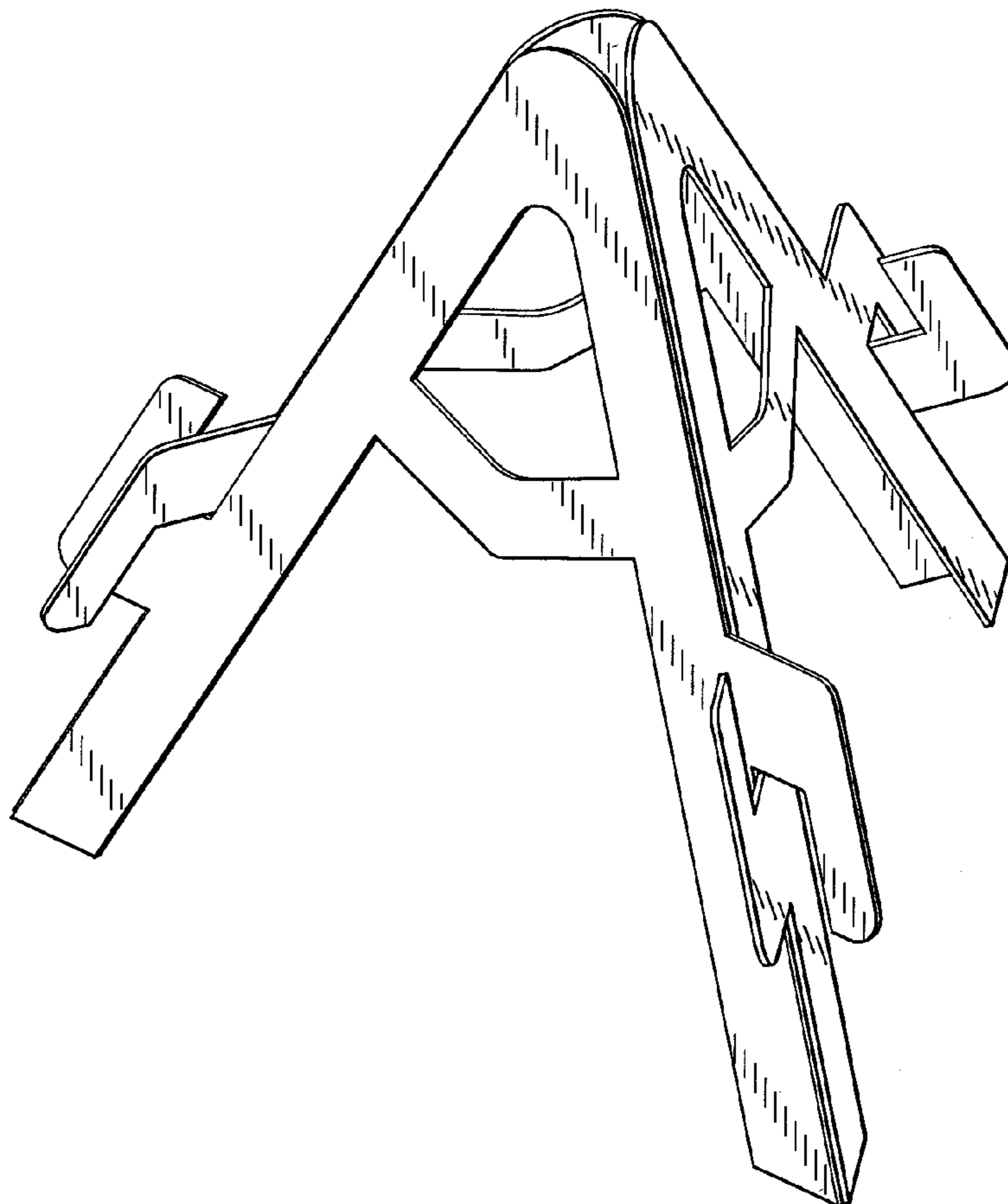
(52) **U.S. Cl.**  
USPC ..... **D8/354**

(58) **Field of Classification Search**  
USPC ..... D8/349, 354  
CPC ..... F16M 13/02; A47F 5/00; A47F 7/021;  
A47F 5/0006; A47H 1/10; A47G 29/00;  
A47G 29/08; A47B 97/00

FIG. 1 is a perspective view of a wood positioning device showing my new design;  
FIG. 2 is a front view thereof;  
FIG. 3 is a back view thereof;  
FIG. 4 is a left side view thereof;  
FIG. 5 is a right side view thereof;  
FIG. 6 is a bottom view thereof; and,  
FIG. 7 is a top view thereof.

See application file for complete search history.

**1 Claim, 7 Drawing Sheets**



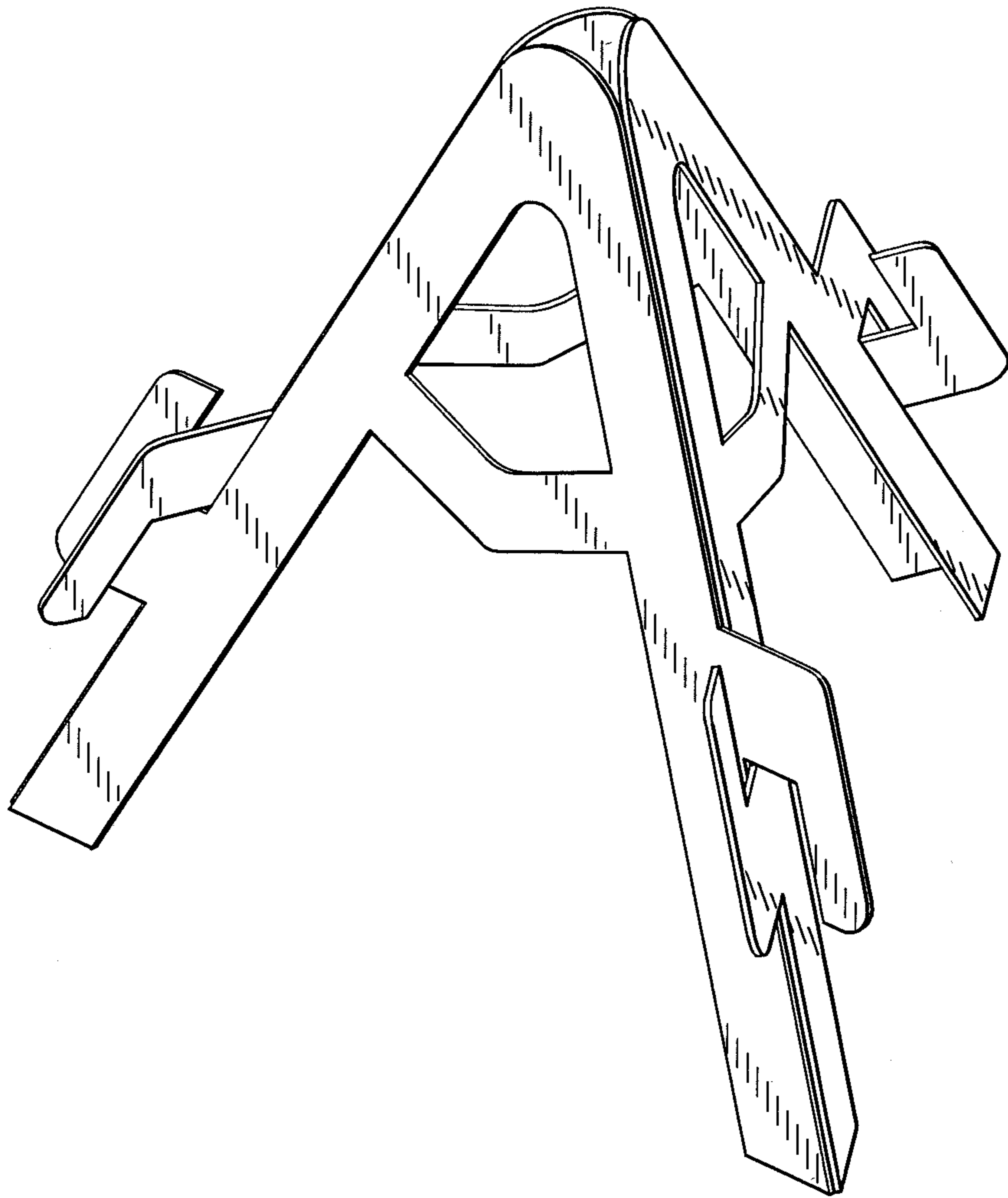


Fig. 1

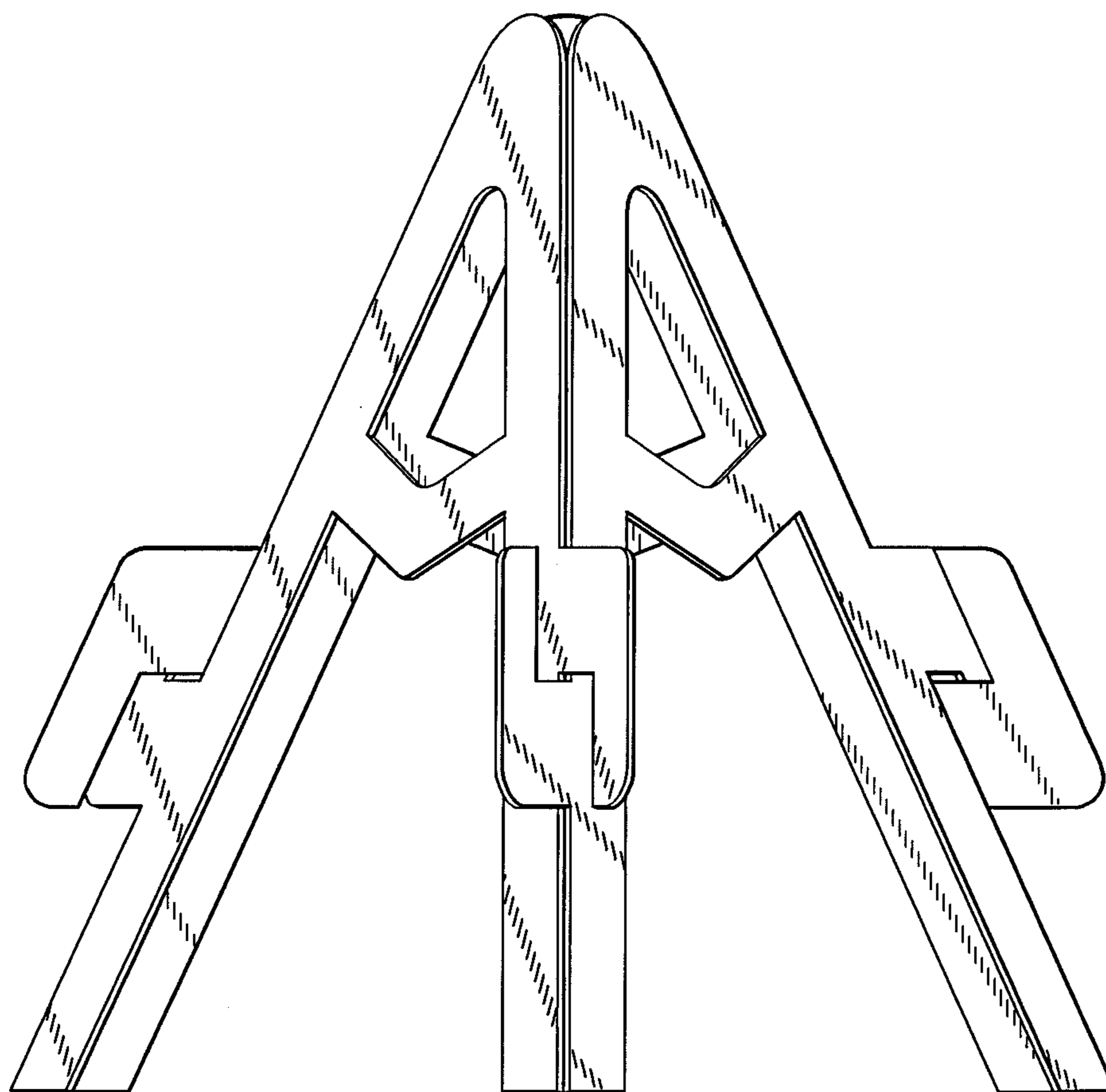


Fig.2

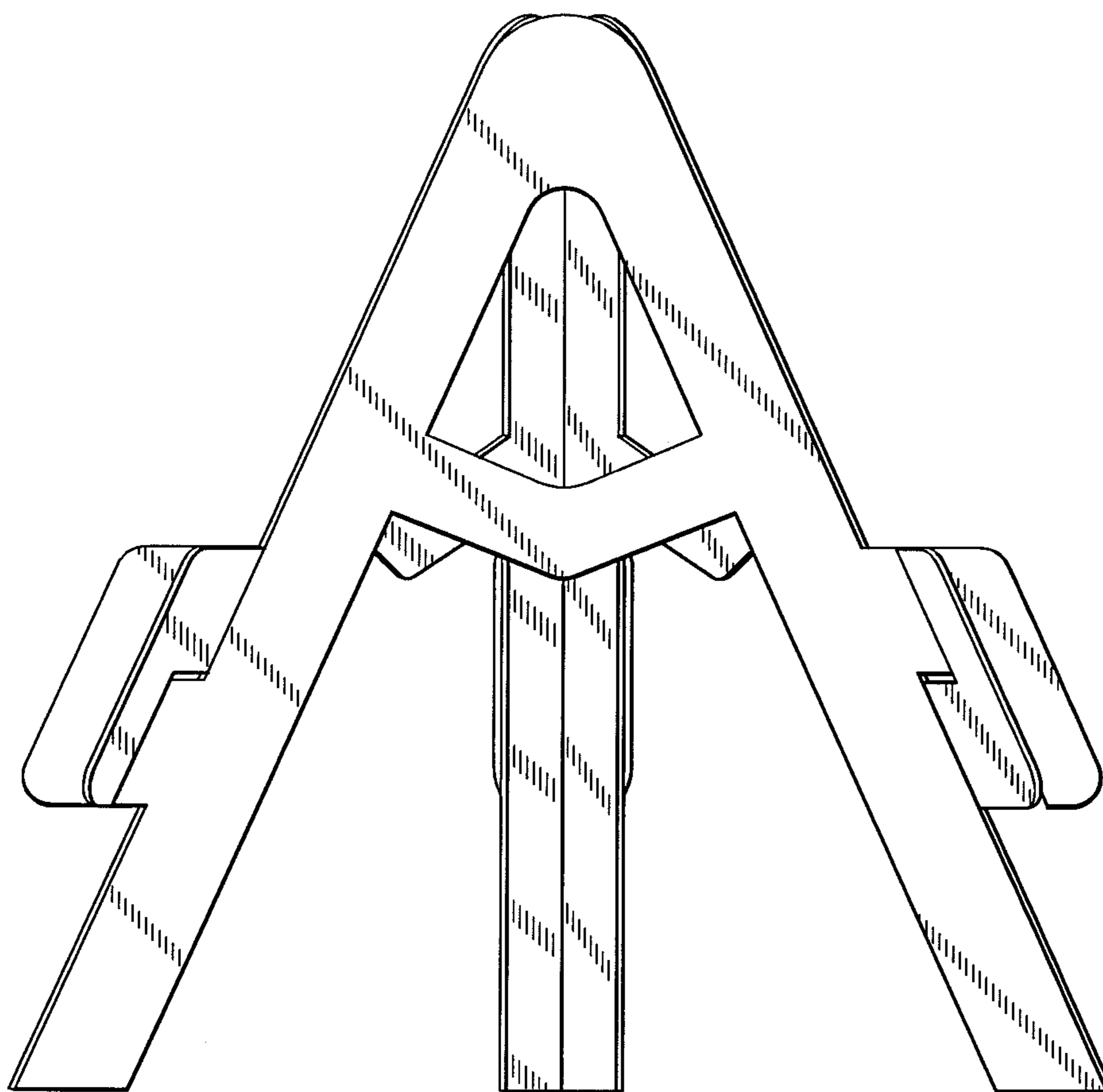


Fig.3

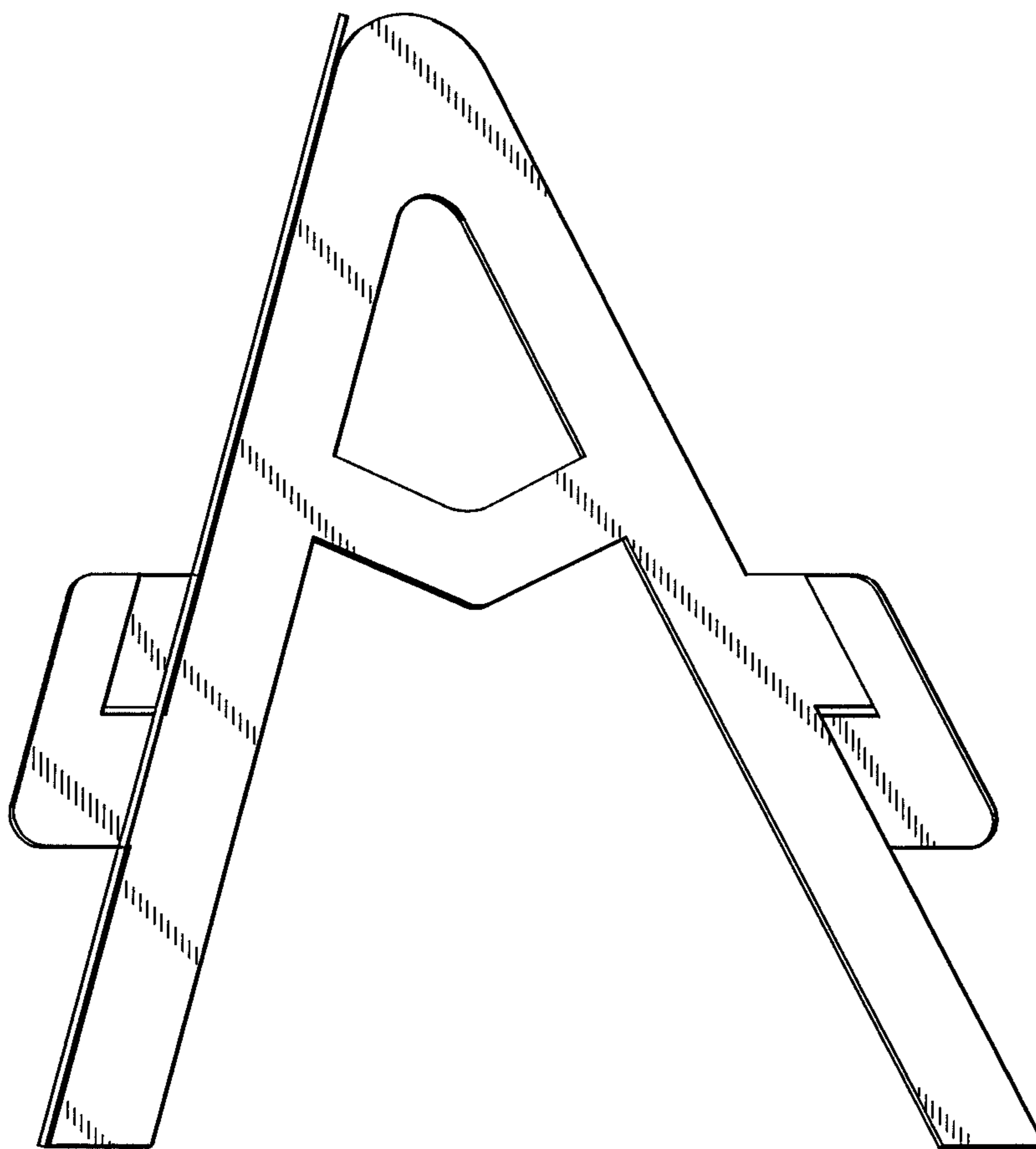


Fig.4

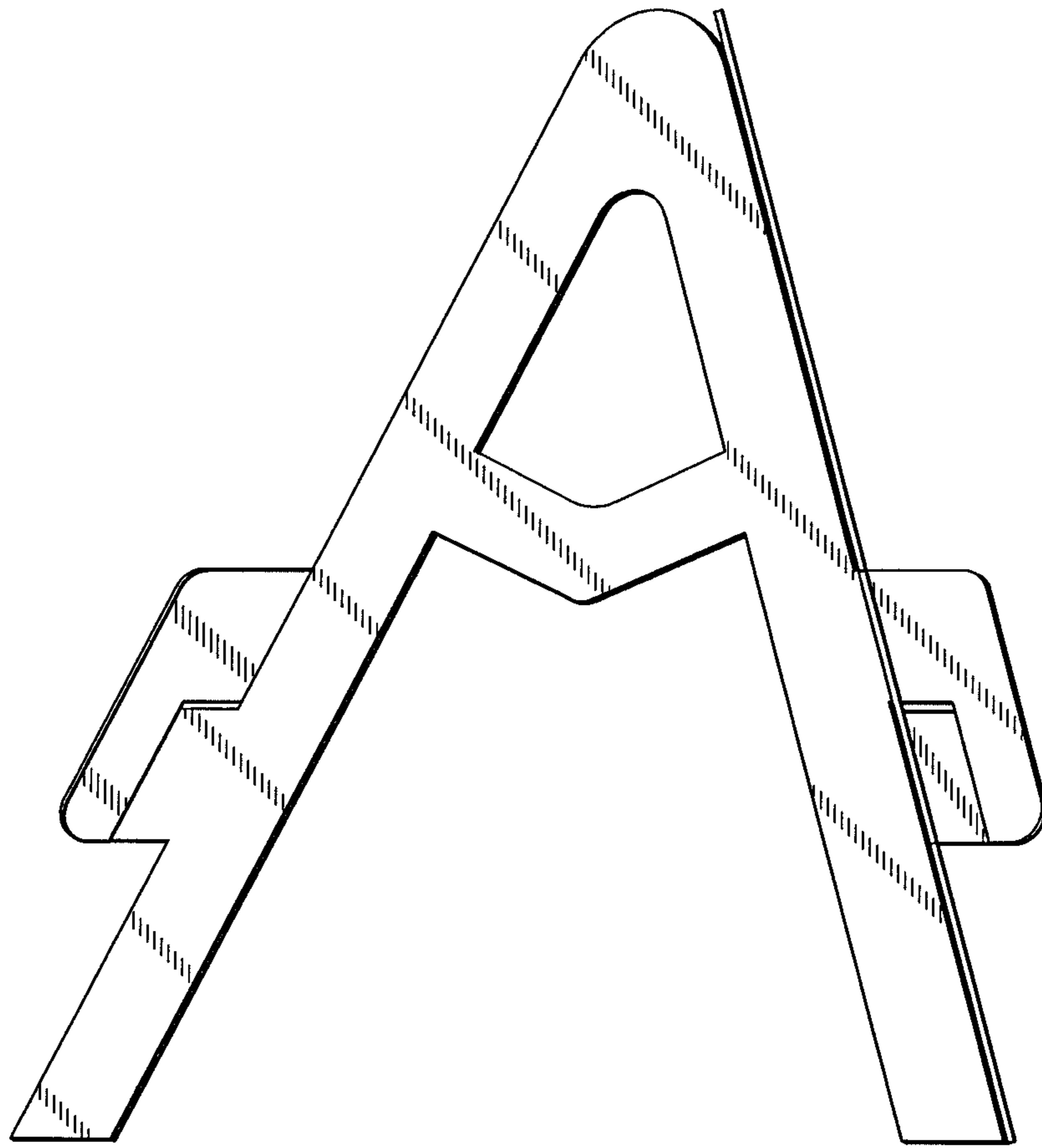


Fig.5

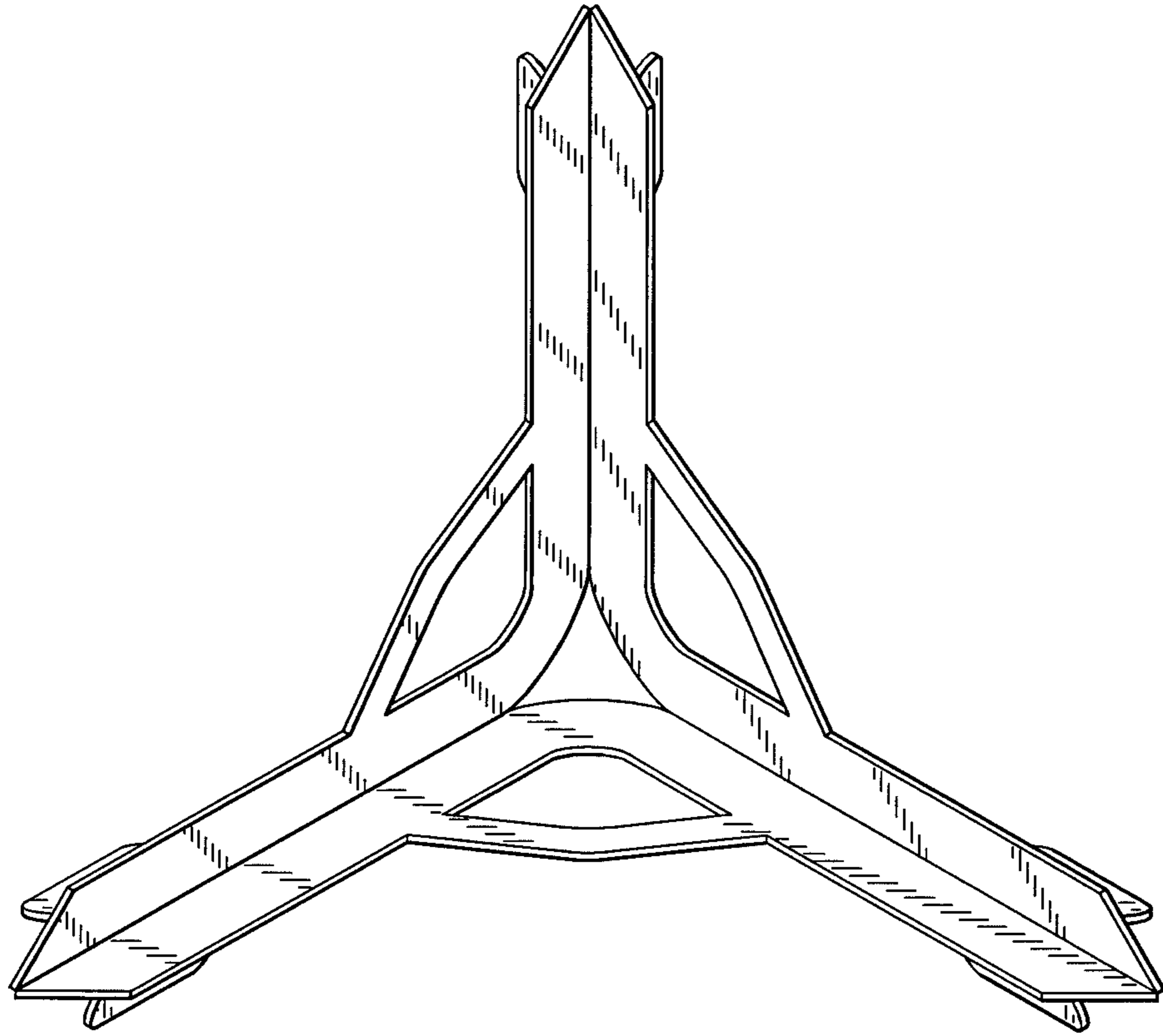


Fig.6



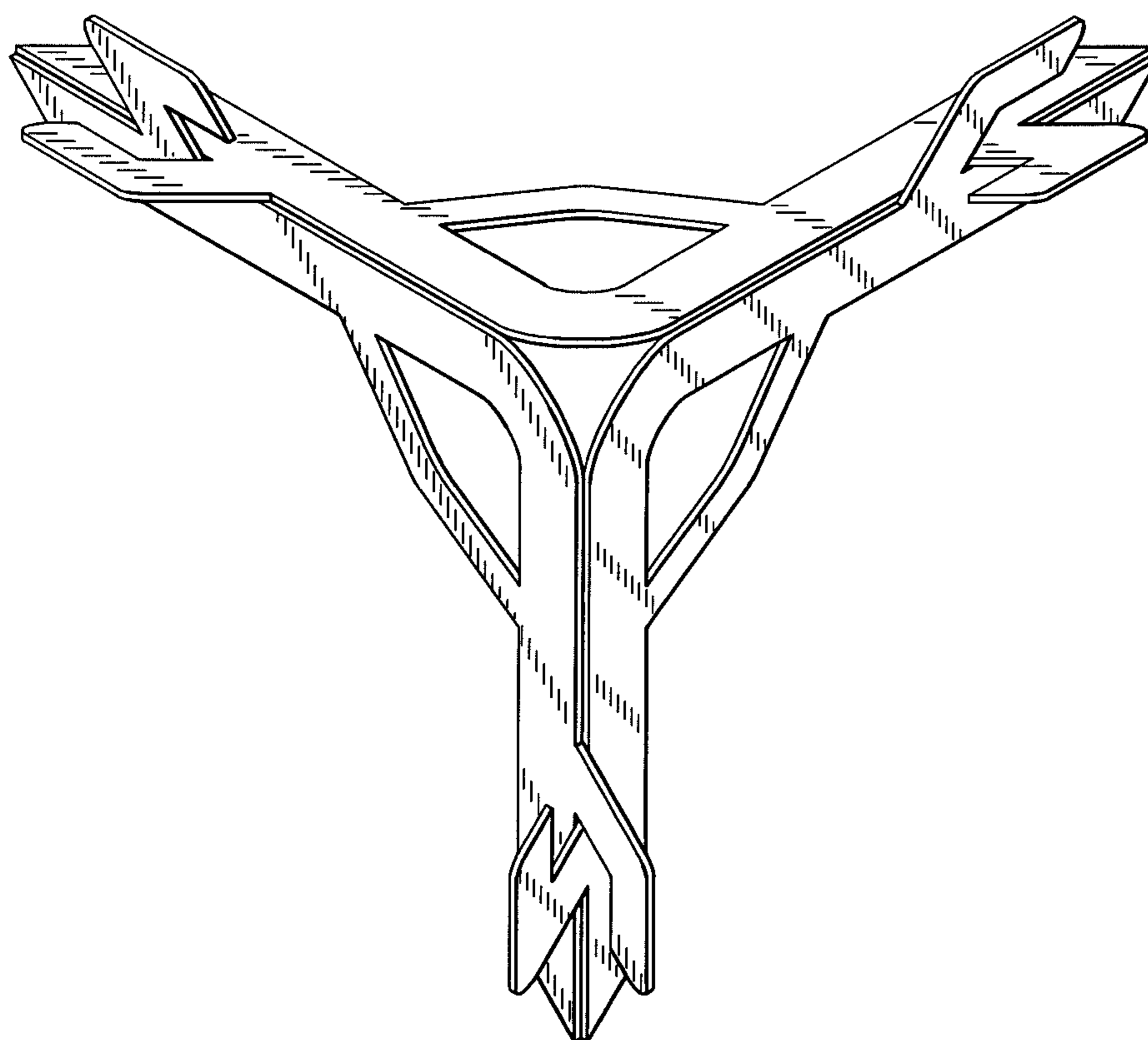


Fig.7