



US00D736066S

(12) **United States Design Patent**
Hull

(10) **Patent No.:** **US D736,066 S**

(45) **Date of Patent:** **** Aug. 11, 2015**

(54) **BRACKET PATTERN**

(71) Applicant: **Curtis Hull**, Clarinda, IA (US)

(72) Inventor: **Curtis Hull**, Clarinda, IA (US)

(**) Term: **14 Years**

(21) Appl. No.: **29/473,601**

(22) Filed: **Nov. 25, 2013**

(51) **LOC (10) Cl.** **08-05**

(52) **U.S. Cl.**
USPC **D8/354**

(58) **Field of Classification Search**
USPC D8/349, 354-356, 363-367, 370-373,
D8/380, 382, 384, 381; D25/199; 248/215,
248/465.1, 112, 153, 175, 218.1, 218.2,
248/302, 303; D9/433; 206/45.21, 45.25;
229/117.18

CPC A47B 96/06; A47B 96/062; A47B 96/063;
A47B 96/066; A47B 96/067; A47B 96/068;
H02G 3/12; H02G 3/14

See application file for complete search history.

(56) **References Cited**

U.S. PATENT DOCUMENTS

3,059,803 A * 10/1962 Holsinger 220/3.4
D237,144 S * 10/1975 Graser D9/416

D393,422 S * 4/1998 Pecher D9/433
D502,926 S * 3/2005 Zimmerman D13/156
D514,923 S * 2/2006 Brown D8/354
D581,784 S * 12/2008 Mattila D9/433
7,461,493 B2 * 12/2008 Quertelet et al. 52/712
D598,273 S * 8/2009 Nerskov D8/354
D664,429 S * 7/2012 Arrigo D9/433
D684,147 S * 6/2013 Stifal D14/239
D689,303 S * 9/2013 Davison D6/580
D697,386 S * 1/2014 Dooley D8/343
8,636,300 B2 * 1/2014 Jaconelli et al. 280/728.2

* cited by examiner

Primary Examiner — Elizabeth Albert

(74) *Attorney, Agent, or Firm* — McKee, Voorhees & Sease, PLC

(57) **CLAIM**

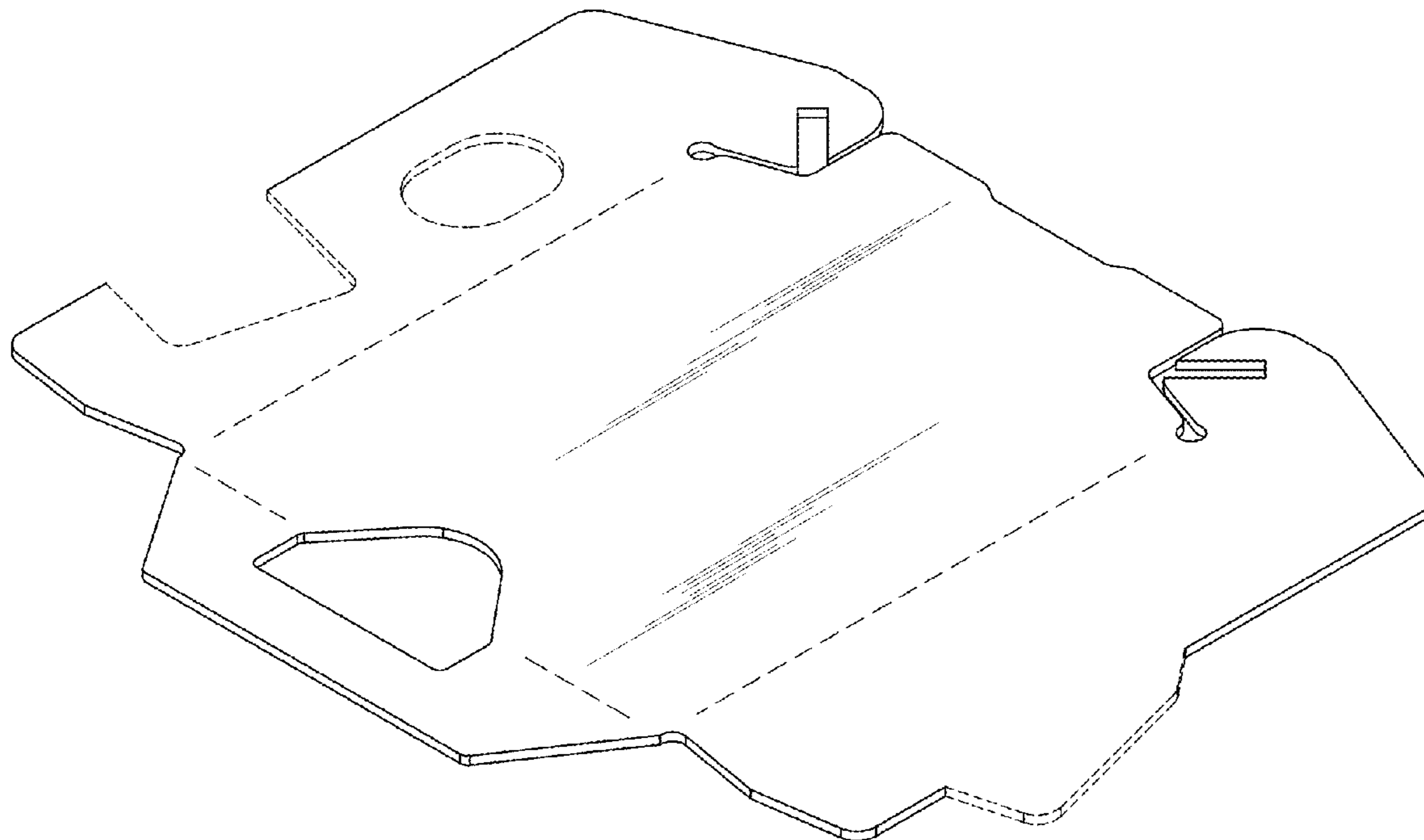
I claim the ornamental design for a bracket pattern, substantially as shown and described.

DESCRIPTION

FIG. 1 is a front elevation view of the bracket pattern of the present invention; and, FIG. 2 is front perspective view of the bracket pattern of FIG. 1.

The broken lines are included for the purpose of showing features on the bracket pattern that form no part of the claimed design.

1 Claim, 2 Drawing Sheets



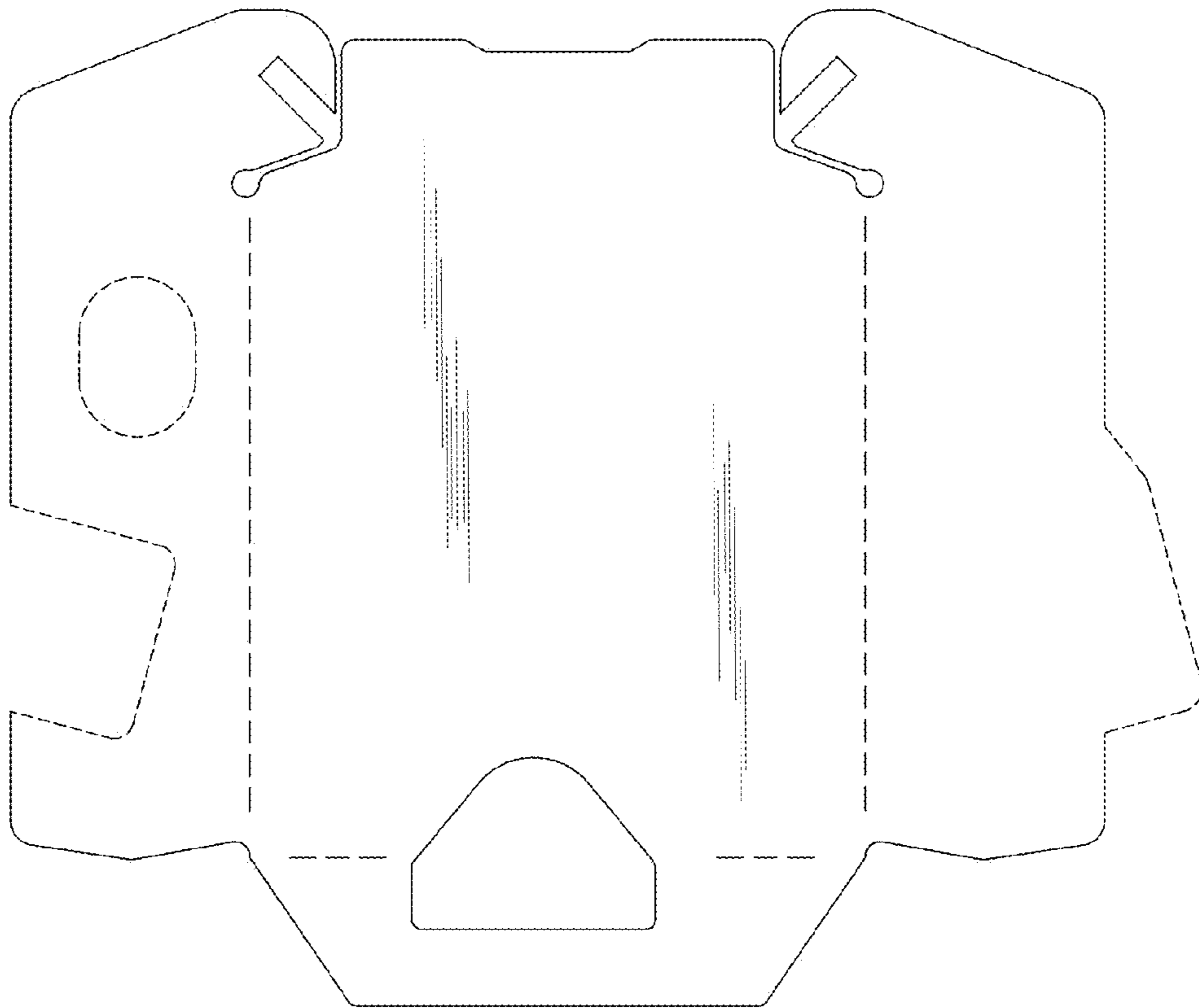


Fig. 1

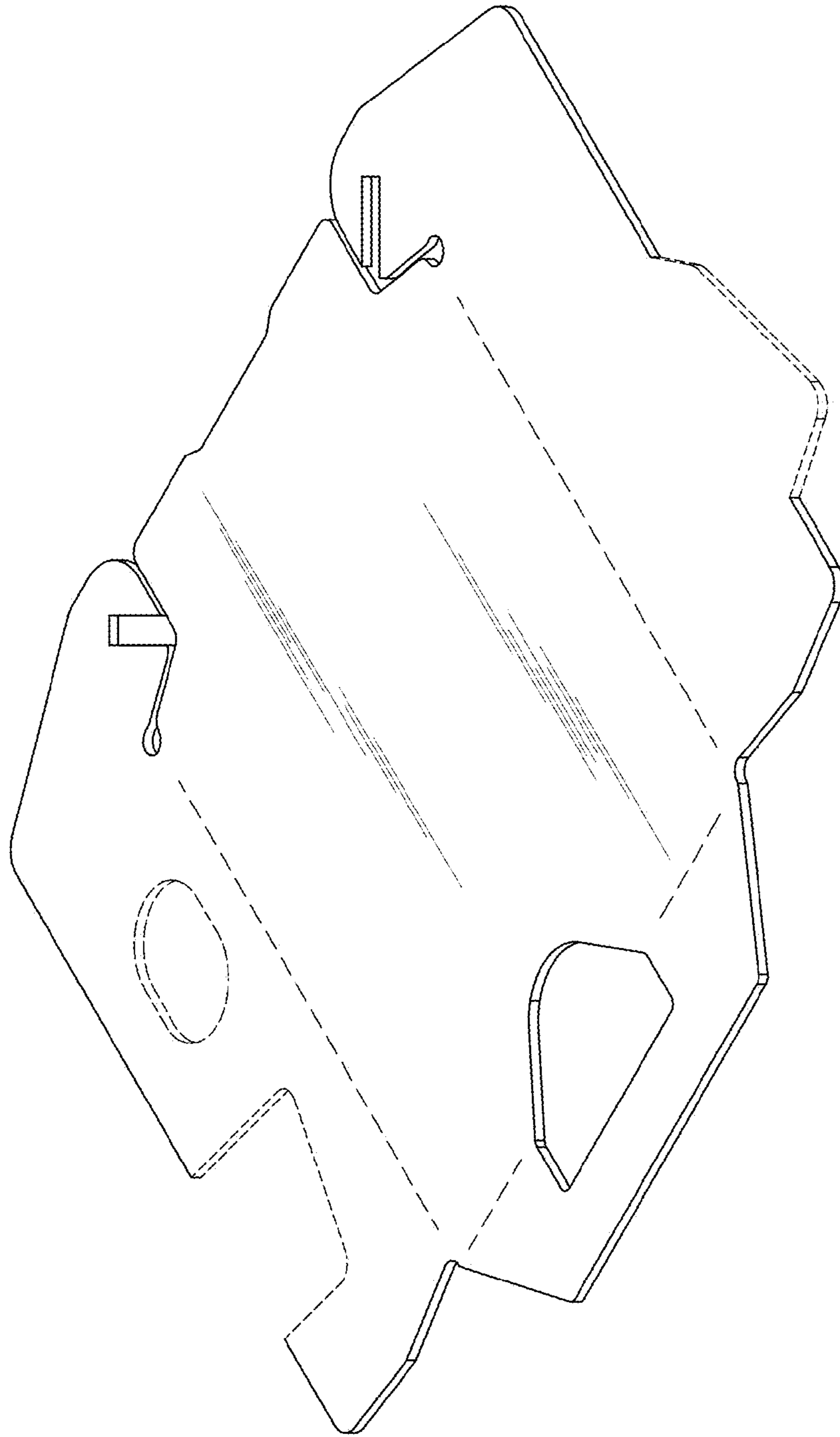


Fig. 2