



US00D736065S

(12) **United States Design Patent**  
**Castellano**

(10) **Patent No.:** **US D736,065 S**  
(45) **Date of Patent:** **\*\* Aug. 11, 2015**

(54) **BRACKET**

(71) Applicant: **Enrico Castellano**, Marion, IL (US)

(72) Inventor: **Enrico Castellano**, Marion, IL (US)

(\*\*) Term: **14 Years**

(21) Appl. No.: **29/469,338**

(22) Filed: **Oct. 9, 2013**

(51) **LOC (10) Cl.** ..... **08-05**

(52) **U.S. Cl.**  
USPC ..... **D8/354**

(58) **Field of Classification Search**  
USPC ..... D8/349, 354–356, 363–367, 370–373,  
D8/380, 382, 384, 381; D25/199,  
D25/119–125; 248/215, 465.1, 112, 153,  
248/175, 218.1, 218.2, 302, 303, 300  
CPC ..... E04F 19/0436; E04F 19/0463; E04F  
2019/044

See application file for complete search history.

(56) **References Cited**

**U.S. PATENT DOCUMENTS**

1,887,459	A *	11/1932	Murdock	.....	248/188.91
1,977,073	A	10/1934	MacNab et al.		
2,878,845	A	3/1959	Hale		
D192,650	S *	4/1962	Lewer	.....	D8/382
3,302,350	A *	2/1967	Brown et al.	.....	52/288.1
D217,247	S *	4/1970	Brown	.....	D23/267
3,605,137	A	9/1971	Stollenwerk		
3,667,177	A	6/1972	Biela		
3,707,061	A	12/1972	Collette et al.		
4,150,517	A	4/1979	Warner, Sr.		
D276,980	S	1/1985	Ahlund		
D277,728	S	2/1985	Ahlund		

D294,866	S	3/1988	Meshulam		
D319,509	S	8/1991	Ogilvie		
D345,906	S *	4/1994	Schmidt et al.	.....	D8/373
D373,738	S	9/1996	Nagai et al.		
5,732,747	A	3/1998	Holliday		
D397,606	S *	9/1998	Tameling	.....	D8/363
5,890,267	A	4/1999	Neuhofer, Jr.		
D425,215	S *	5/2000	Ginzel	.....	D25/119
6,209,827	B1 *	4/2001	Kawai	.....	248/73
D478,270	S	8/2003	Curtas et al.		
D478,497	S	8/2003	Curtas et al.		
6,636,679	B1 *	10/2003	Mereness	.....	385/136
D489,209	S *	5/2004	Goldberg	.....	D6/580
7,383,670	B1	6/2008	Meyers		
7,600,352	B2	10/2009	Schulze		
D617,174	S	6/2010	Schaefer et al.		
D624,804	S	10/2010	Wellard		
D636,656	S	4/2011	Schaefer et al.		
D639,143	S	6/2011	Schaefer et al.		
D639,144	S	6/2011	Schaefer et al.		
D690,188	S *	9/2013	Pontus	.....	D8/349
2008/0092470	A1	4/2008	Jackson		
2009/0139167	A1	6/2009	Donaldson et al.		

\* cited by examiner

*Primary Examiner* — Elizabeth Albert

(74) *Attorney, Agent, or Firm* — Thompson Coburn LLP

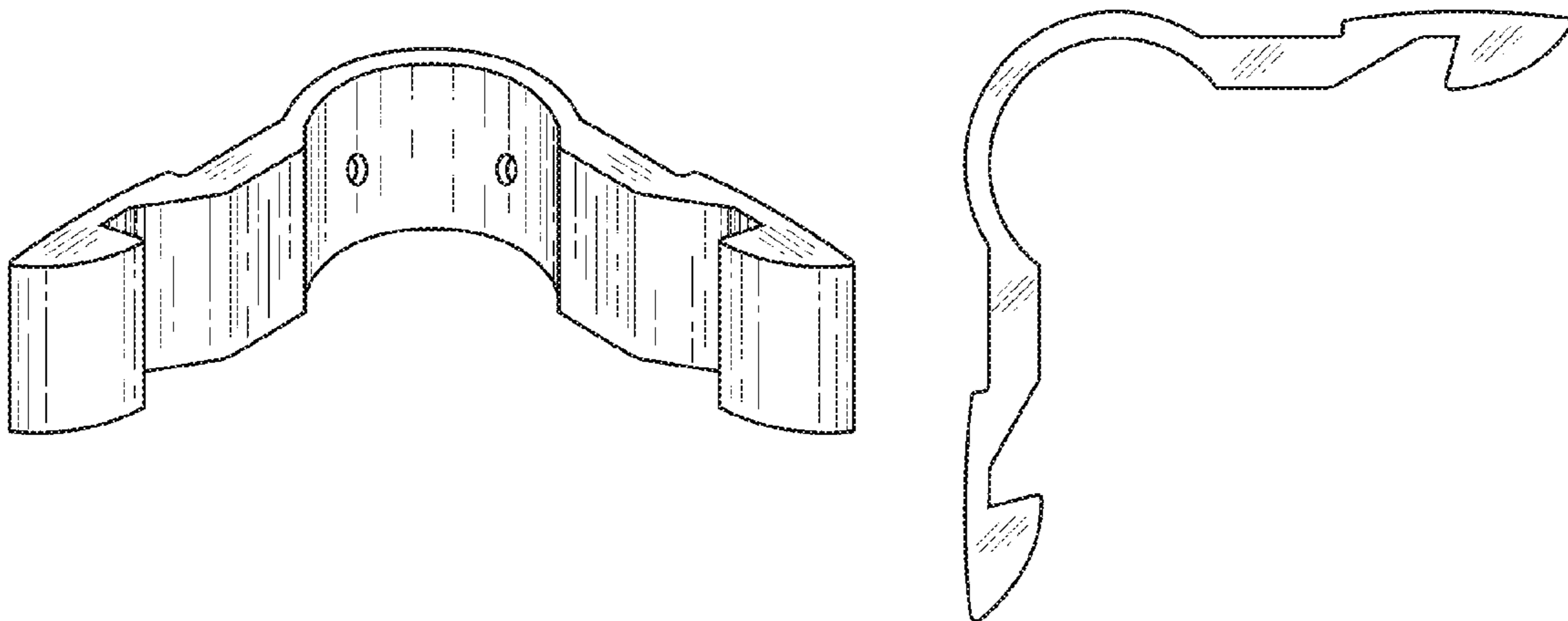
(57) **CLAIM**

The ornamental design for bracket, as shown and described.

**DESCRIPTION**

FIG. 1 is a top perspective view of the extruded bracket showing my new design;  
FIG. 2 is a top view of the bracket of FIG. 1 (the bottom view being a mirror image thereof);  
FIG. 3 is a front view of the bracket of FIG. 2; and,  
FIG. 4 is a right side view of the bracket of FIG. 2.

**1 Claim, 1 Drawing Sheet**



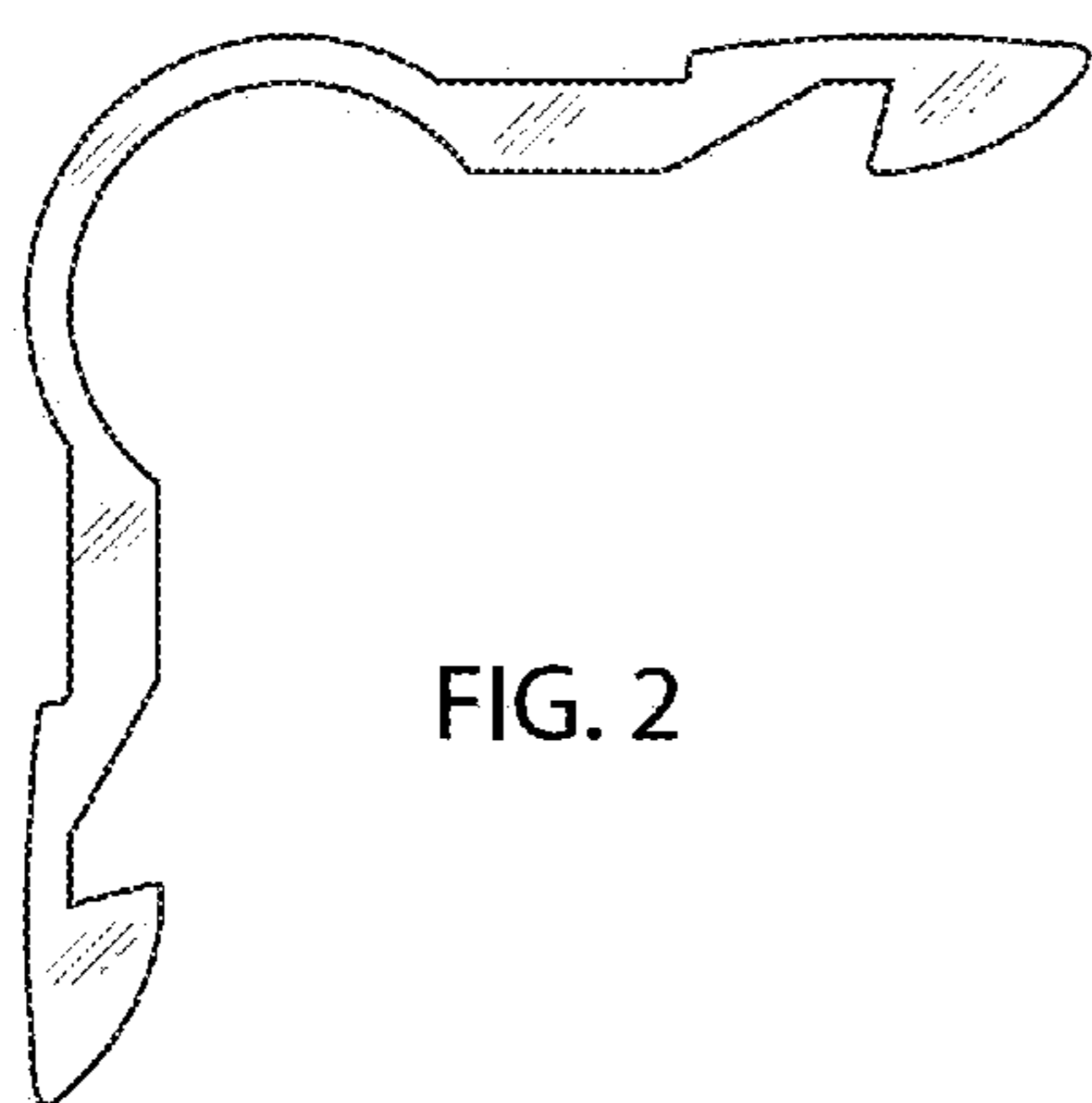


FIG. 2

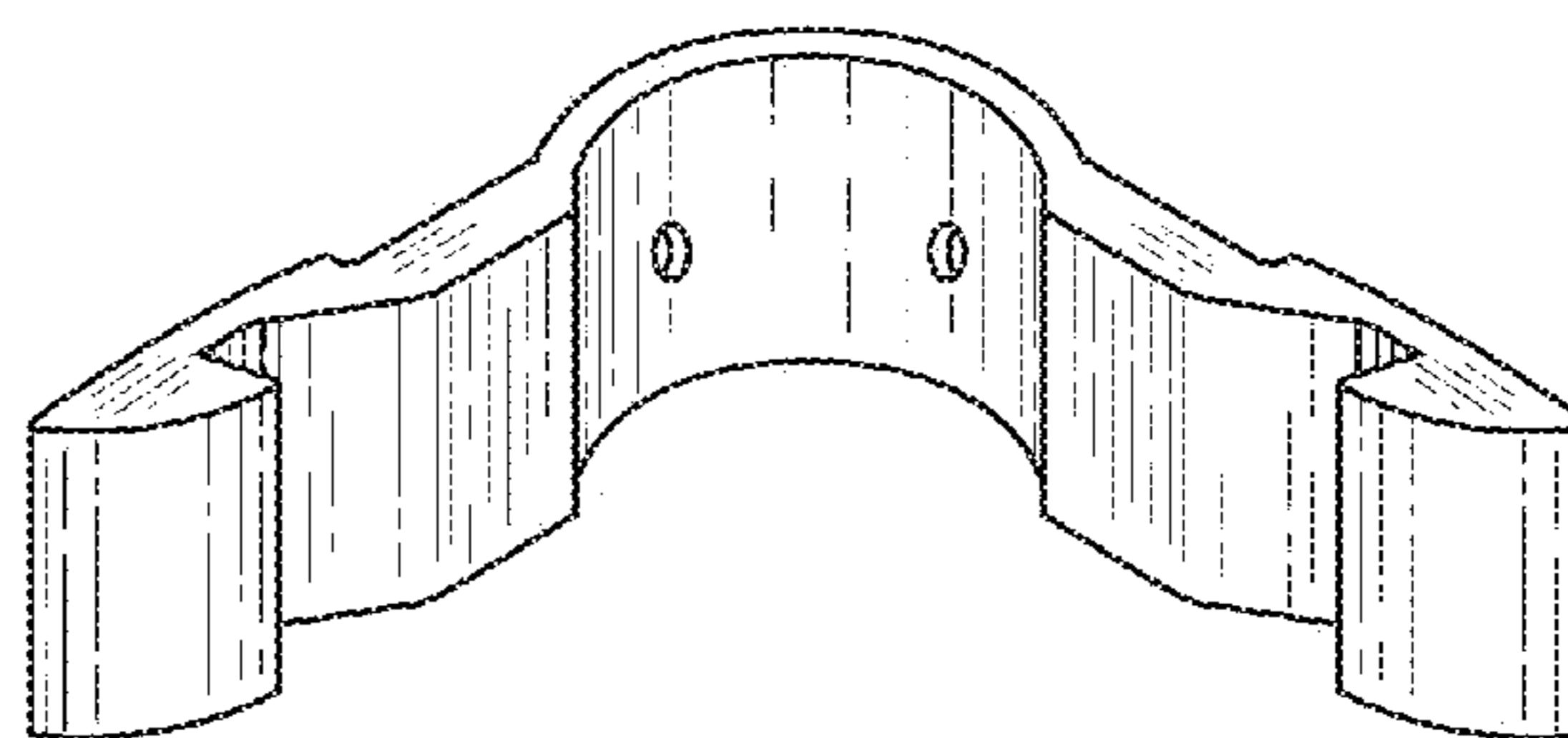


FIG. 1

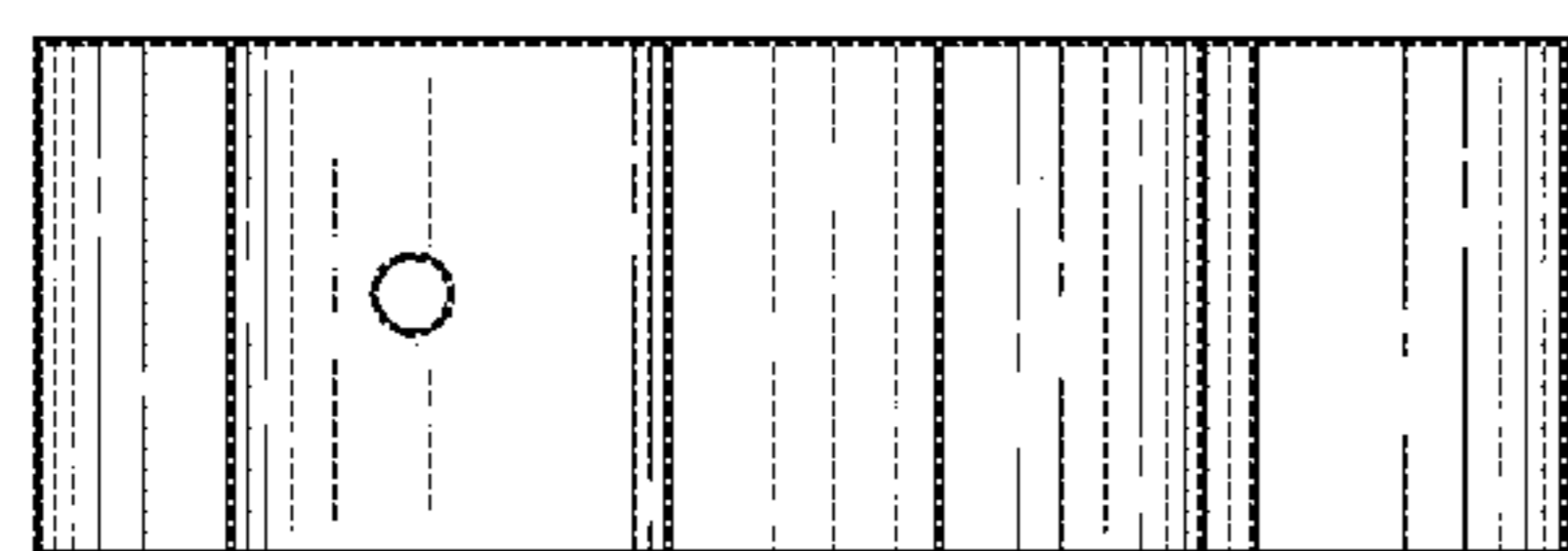


FIG. 3

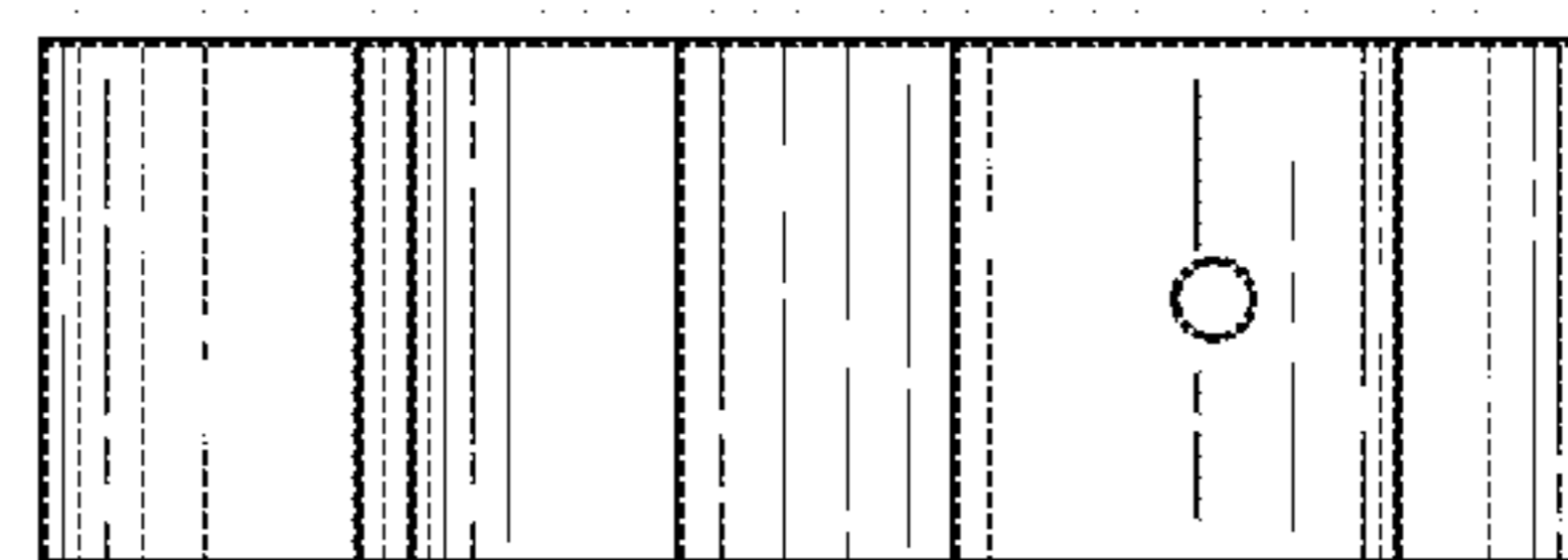


FIG. 4