

US00D736064S

(12) **United States Design Patent**
Wachswender

(10) **Patent No.:** **US D736,064 S**
(45) **Date of Patent:** **** Aug. 11, 2015**

(54) **MOUNTING BRACKET**

(71) Applicant: **Sprintquip Pty. Ltd.**, Padstow, NSW
(AU)

(72) Inventor: **Anton Evan Wachswender**, Padstow
(AU)

(73) Assignee: **SPRINTQUIP PTY LTD**, Padstow
NSW (AU)

(**) Term: **14 Years**

(21) Appl. No.: **29/466,590**

(22) Filed: **Sep. 10, 2013**

(30) **Foreign Application Priority Data**

Mar. 12, 2013 (AU) 11189/2013

(51) **LOC (10) Cl.** **08-05**

(52) **U.S. Cl.**
USPC **D8/354**

(58) **Field of Classification Search**
USPC D8/349, 354-356, 363-367, 370-373,
D8/380, 381, 382, 384; D25/199; 248/215,
248/465.1, 112, 153, 175, 218.1, 218.2,
248/302, 303; D9/433; 206/45.21, 45.25;
229/117.18

CPC H02G 3/12; H02G 3/14
See application file for complete search history.

(56) **References Cited**

U.S. PATENT DOCUMENTS

3,707,734 A * 1/1973 Matthews 5/628
4,114,158 A * 9/1978 Verini 343/715

5,573,825 A * 11/1996 Brewster 428/43
D419,430 S * 1/2000 Williams D8/382
D514,923 S * 2/2006 Brown D8/354
D533,547 S * 12/2006 Sergi D14/238
D561,189 S * 2/2008 Wohlford et al. D14/451
D562,416 S * 2/2008 Fedriga et al. D21/694
7,726,617 B2 * 6/2010 Zambelli et al. 248/288.31
D654,064 S * 2/2012 Sergi D14/238

FOREIGN PATENT DOCUMENTS

AU 2011101363 B4 11/2011

OTHER PUBLICATIONS

Examination Report issued Dec. 5, 2013 in Australian Patent
2011101363.

* cited by examiner

Primary Examiner — Elizabeth Albert

(74) *Attorney, Agent, or Firm* — Bacon & Thomas, PLLC

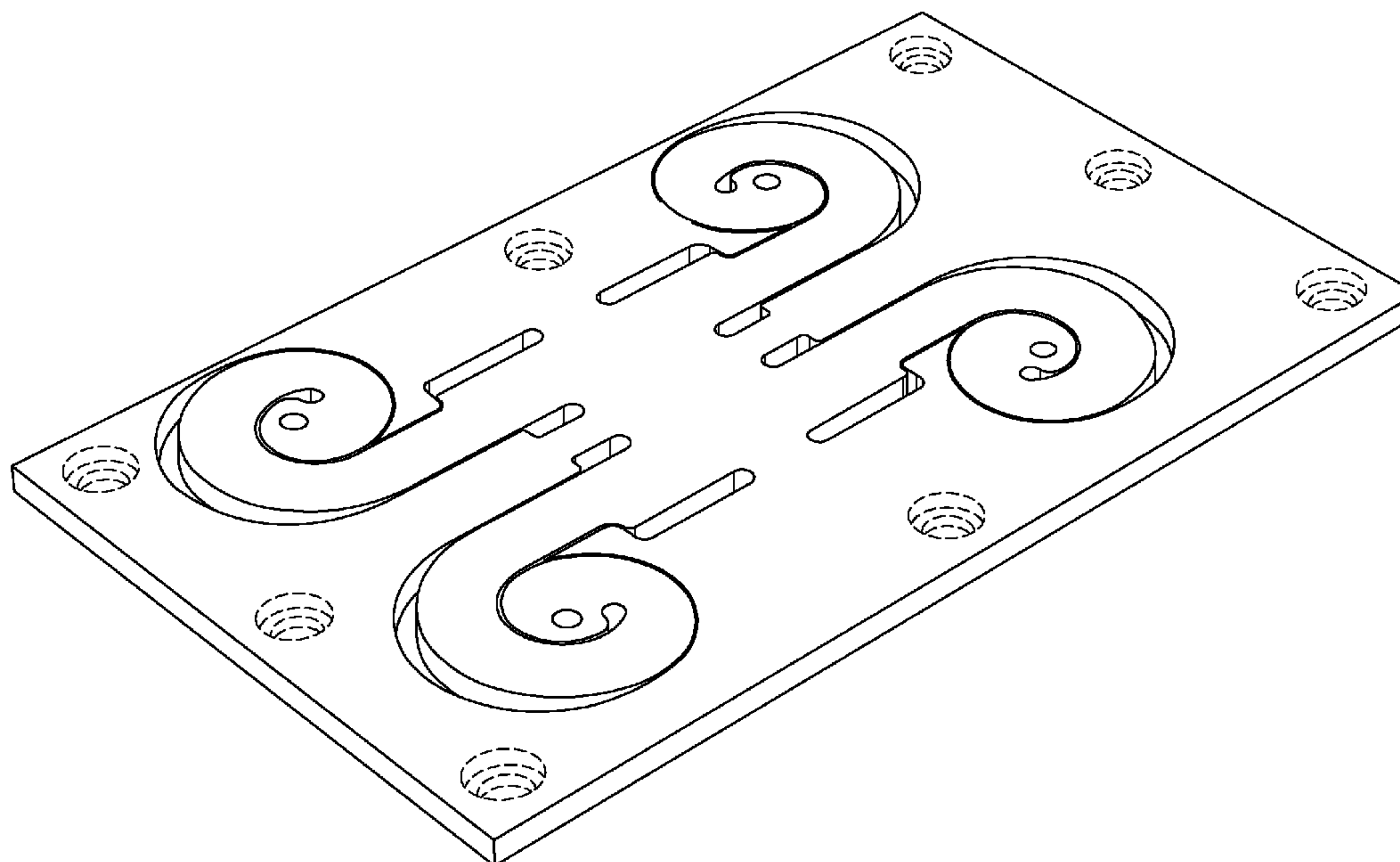
(57) **CLAIM**

The ornamental design for a mounting bracket, as shown and
described.

DESCRIPTION

FIG. 1 is an isometric view, taken slightly from above, of a
mounting bracket showing my new design;
FIG. 2 is a top plan view thereof;
FIG. 3 is a top plan view of Detail 3 of the mounting bracket
shown in FIG. 2; and,
FIG. 4 is a bottom view thereof.
The broken lines in FIGS. 1-4 are included for the purpose of
showing features on the mounting bracket that form no part of
the claimed design.

1 Claim, 4 Drawing Sheets



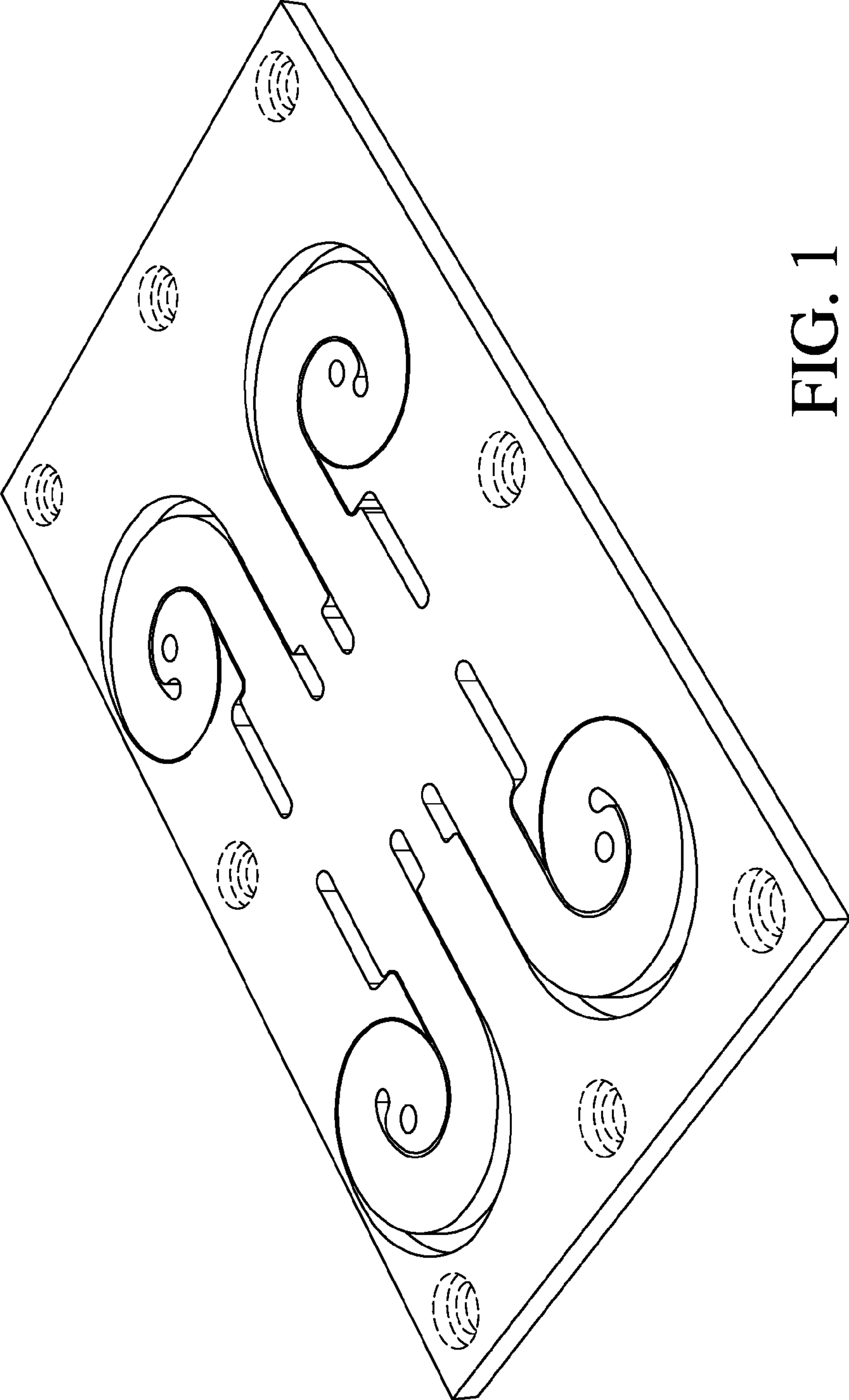


FIG. 1

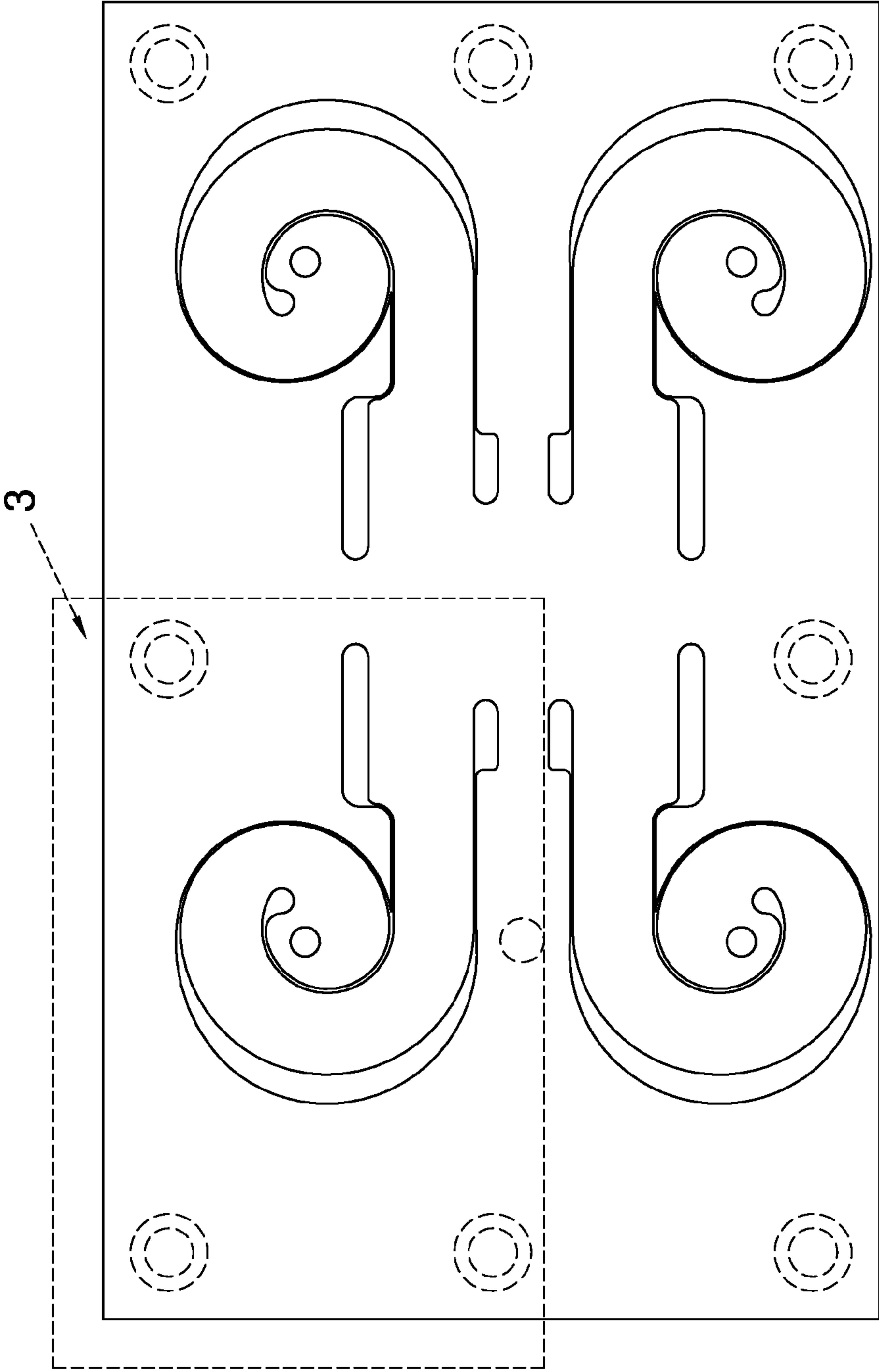


FIG. 2

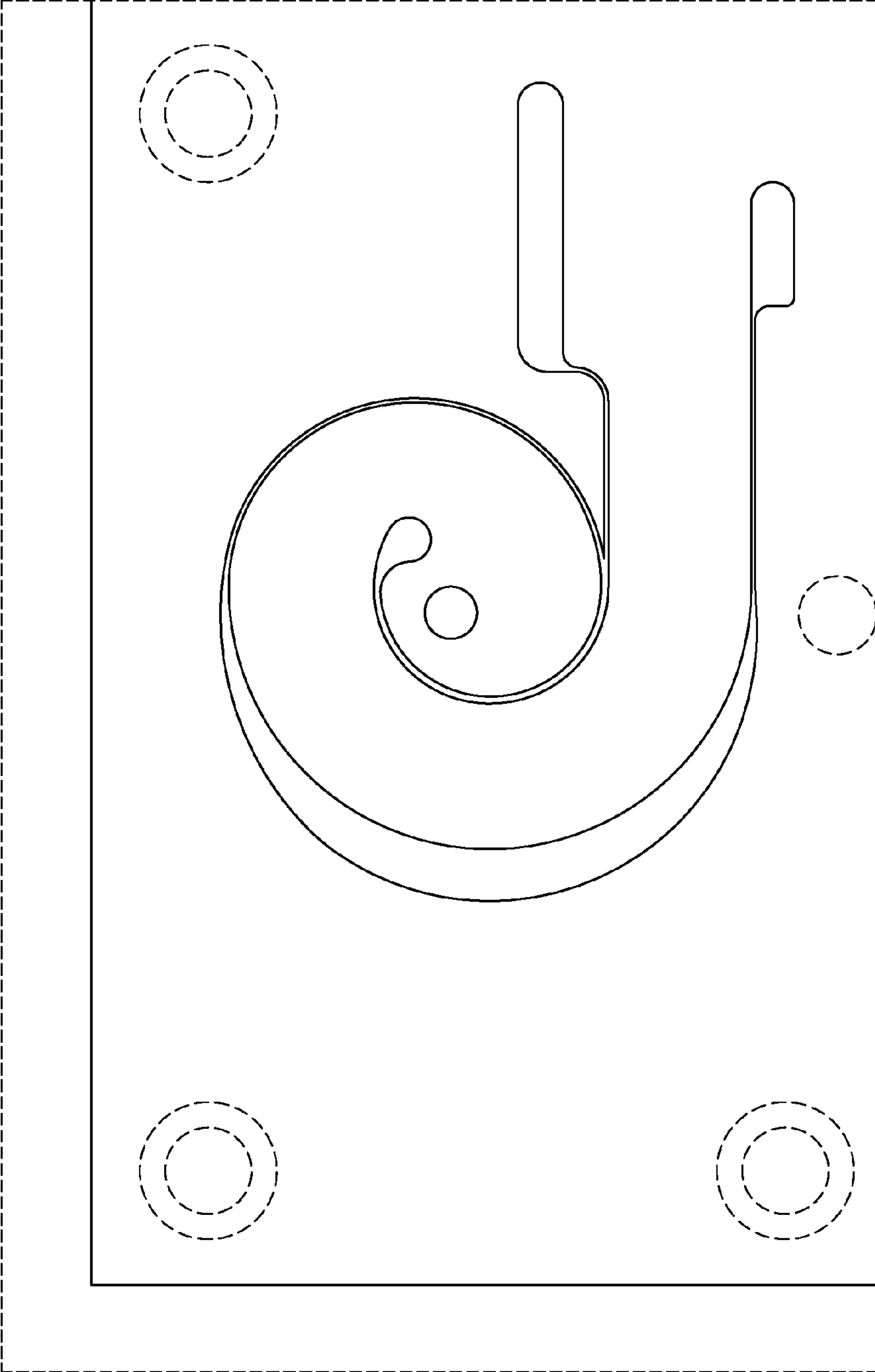


FIG. 3

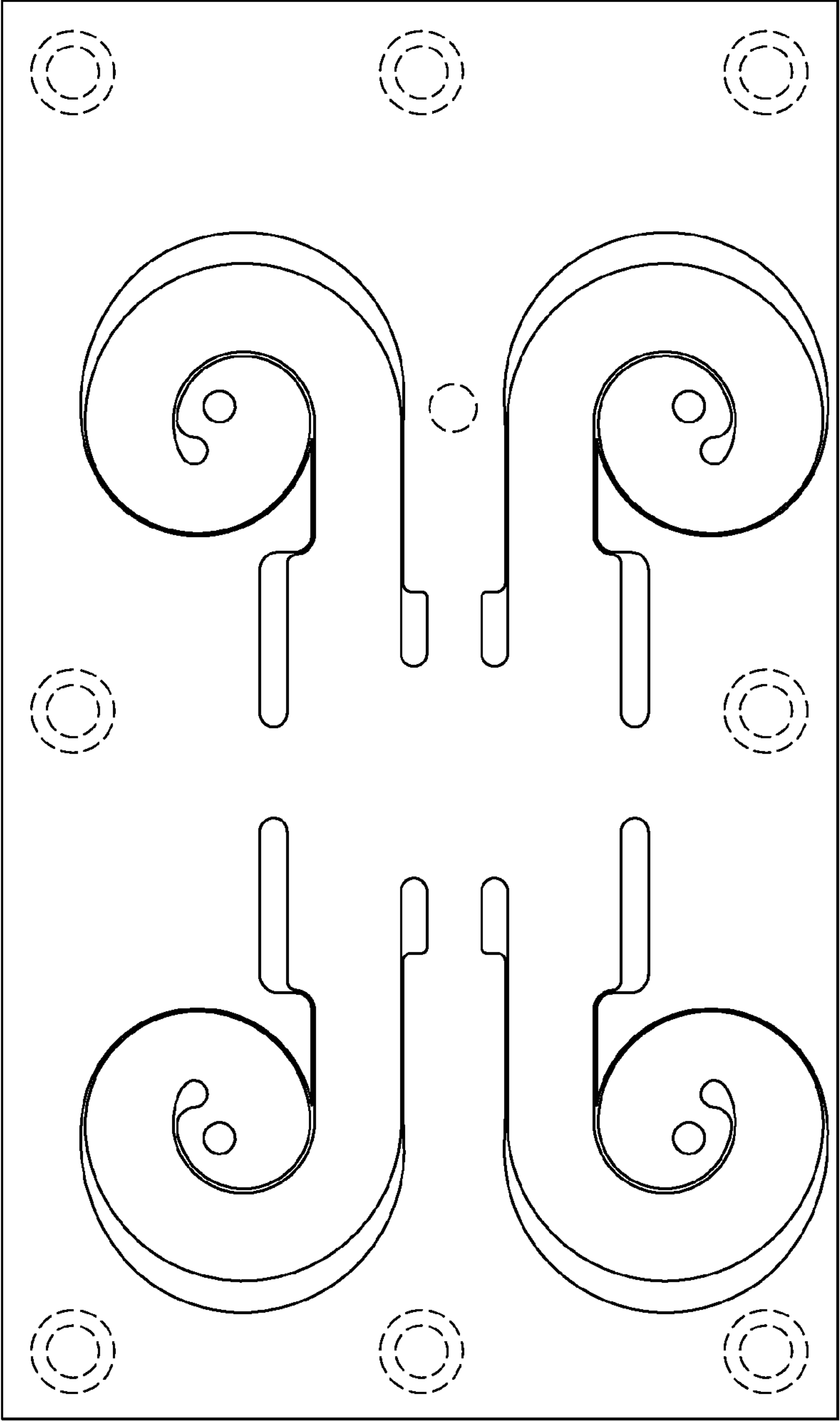


FIG. 4