

US00D736063S

(12) **United States Design Patent**  
**White**

(10) **Patent No.:** **US D736,063 S**

(45) **Date of Patent:** **\*\* Aug. 11, 2015**

- (54) **CABLE SUPPORT INSERT**
- (71) Applicant: **Franklin B White**, Ft. Pierce, FL (US)
- (72) Inventor: **Franklin B White**, Ft. Pierce, FL (US)
- (\*\*) Term: **14 Years**
- (21) Appl. No.: **29/463,594**
- (22) Filed: **Jan. 10, 2014**
- (51) **LOC (10) Cl.** ..... **08-05**
- (52) **U.S. Cl.**  
USPC ..... **D8/354**
- (58) **Field of Classification Search**  
USPC ..... D8/349, 354  
CPC ..... A47F 5/00; A47H 1/10; E04G 29/00;  
A47B 97/00; A47G 29/08  
See application file for complete search history.

- D389,078 S 1/1998 Freeman ..... D10/113.2
- 5,709,051 A 1/1998 Mazziotti ..... 52/12
- D400,428 S 11/1998 Sabounjian ..... D8/382
- D401,211 S 11/1998 Simpson ..... D12/223

(Continued)

*Primary Examiner* — Holly Baynham

(74) *Attorney, Agent, or Firm* — David A. Burge

(57) **CLAIM**

I claim the ornamental design for a cable support insert, as shown and described.

**DESCRIPTION**

Reference is made to Design U.S. Appl. No. 29/395,835 filed Apr. 6, 2012 which depicts a mounting bracket having a tubular upstanding stem into which a depending tubular stem of the cable support insert embodying the present design may telescopically extend while a cable can be attached to the annular ring(s) located on a side of the upstanding stem.

FIG. 1 is a perspective view showing front, top and right side features of a first embodiment of my design which has an elongate tubular stem that is of indefinite length, with an annular collar on the right side thereof near an upper end of the tubular stem;

FIG. 2 is a front elevation view thereof;

FIG. 3 is a top plan view thereof;

FIG. 4 is a bottom plan view thereof;

FIG. 5 is a right side elevation view thereof;

FIG. 6 is a left side elevation view thereof;

FIG. 7 is a front elevation view of a second embodiment of my design;

FIG. 8 is a right side elevation view thereof; and,

FIG. 9 is a left side elevation view thereof.

Top and bottom plan views of the second embodiment are omitted inasmuch as they would be identical to FIGS. 3 and 4 hereof.

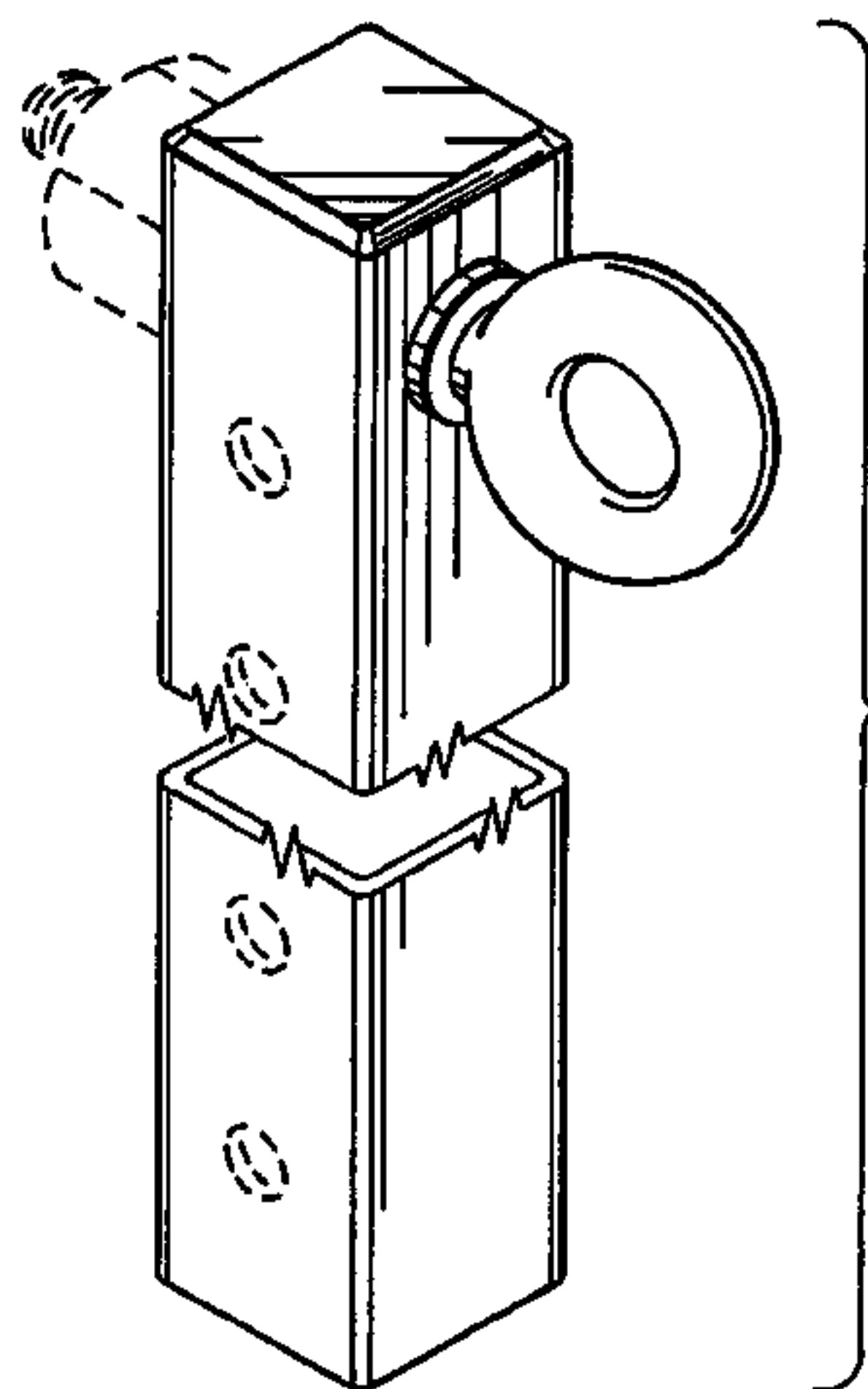
The broken lines showing a nut and bolt are for the purposes of illustrating environment and form no part of the claimed design.

**1 Claim, 4 Drawing Sheets**

(56) **References Cited**

U.S. PATENT DOCUMENTS

- 2,541,434 A 2/1951 Leonard et al. .... 248/210
- 2,655,748 A 10/1953 Hirt ..... 40/612
- D183,569 S 9/1958 Hoffman ..... D10/109.1
- 4,249,832 A 2/1981 Schmanski ..... 404/6
- 4,338,041 A 7/1982 Schmanski ..... 404/9
- D296,075 S 6/1988 Jones ..... D8/373
- D306,690 S 3/1990 Bison ..... D8/382
- 5,015,119 A 5/1991 Schmanski ..... 404/12
- 5,141,187 A \* 8/1992 Sherman ..... 248/74.4
- D331,006 S \* 11/1992 Dziejdzic ..... D8/356
- D334,815 S 4/1993 Bungler ..... D25/113
- 5,208,585 A 5/1993 Sprague ..... 340/908.1
- D337,912 S 8/1993 Silverburg ..... D6/567
- 5,244,172 A 9/1993 Allega ..... 248/161
- D342,011 S 12/1993 Maguire ..... D8/349
- D347,568 S 6/1994 Siragusa et al. .... D8/382
- D354,773 S 1/1995 Koves ..... 19/99
- D369,958 S 5/1996 Huang et al. .... D8/387
- D370,171 S 5/1996 Emerson ..... D8/354
- D373,074 S 8/1996 Miyashita ..... D8/382
- D374,811 S 10/1996 Miyashita ..... D8/382
- D377,751 S 2/1997 Koebbe ..... D8/355
- 5,619,829 A 4/1997 Tan et al. .... 52/293.3



(56)

References Cited

U.S. PATENT DOCUMENTS

5,878,519 A	3/1999	Huyck, Jr. et al. ....	40/612	D571,645 S	6/2008	Skoog .....	D8/382
D420,566 S	2/2000	Ely et al. ....	D8/354	D576,026 S	9/2008	Mazzocco .....	D8/382
D428,804 S	8/2000	Benz et al. ....	D8/382	D583,219 S	12/2008	Dagg .....	D8/349
D430,789 S	9/2000	Opperman .....	D8/363	D591,586 S	5/2009	Dagg .....	D8/382
D464,013 S	10/2002	Adams et al. ....	D12/223	D599,649 S	9/2009	Wakasugi et al. ....	D8/382
D474,676 S	5/2003	Bainbridge .....	D8/354	D609,752 S	2/2010	Miller .....	D20/41
6,695,266 B1	2/2004	Tsai .....	248/125.8	D611,887 S	3/2010	Peschmann .....	D12/223
D488,056 S	4/2004	Dion .....	D8/381	D617,180 S	6/2010	VanElverdinghe .....	D8/382
D491,450 S	6/2004	Braun et al. ....	D8/382	D617,633 S	6/2010	VanElverdinghe .....	D8/382
D507,226 S	7/2005	Oksa .....	D12/223	7,770,849 B2*	8/2010	Martin et al. ....	248/65
6,962,461 B2	11/2005	Choi et al. ....	404/6	8,001,880 B2	8/2011	White et al. ....	89/36.04
D520,322 S	5/2006	Orlando .....	D8/70	D678,045 S	3/2013	Paolini .....	D8/382
7,069,680 B1	7/2006	Crawford .....	40/607.14	D695,592 S	12/2013	White .....	D8/354
D552,947 S	10/2007	Ewasuik .....	D8/5	8,656,947 B1	2/2014	Barton .....	137/544
D557,344 S	12/2007	Johnson .....	D20/41	2003/0051414 A1	3/2003	Besette .....	52/16
D558,274 S	12/2007	Geeves .....	D20/41	2008/0307684 A1	12/2008	Ulloa et al. ....	40/607.1
D559,665 S	1/2008	Terada et al. ....	D8/382	2009/0178319 A1	7/2009	Ulloa et al. ....	40/607.1
D563,776 S	3/2008	Dagg .....	D8/382	2011/0010974 A1	1/2011	White .....	40/606.02
D564,868 S	3/2008	Terada et al. ....	D8/382	2012/0204454 A1	8/2012	Larsen .....	40/591
				2012/0285567 A1	11/2012	Kessler .....	137/615
				2013/0161943 A1	6/2013	Bailey .....	285/283

\* cited by examiner

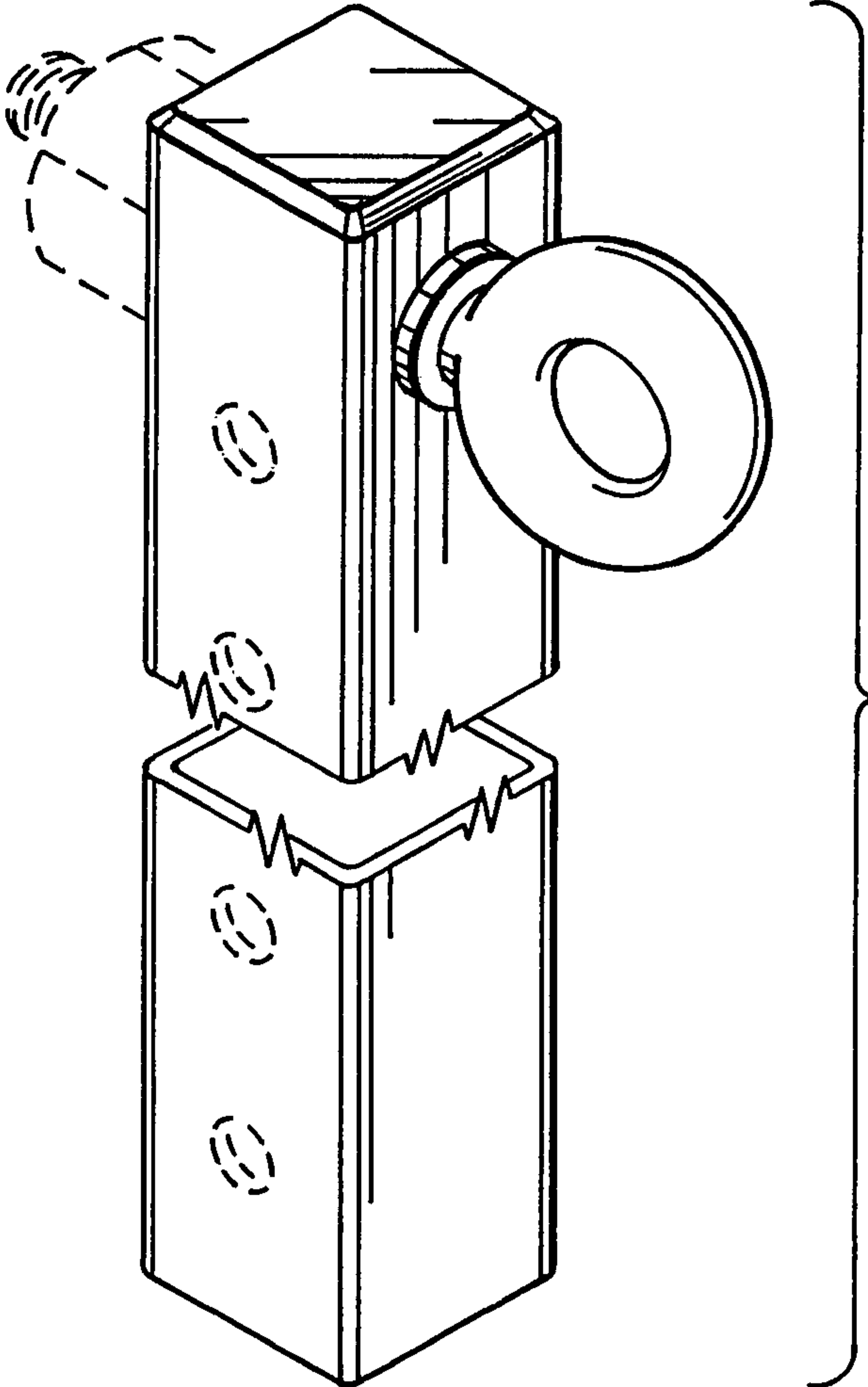


FIG. 1

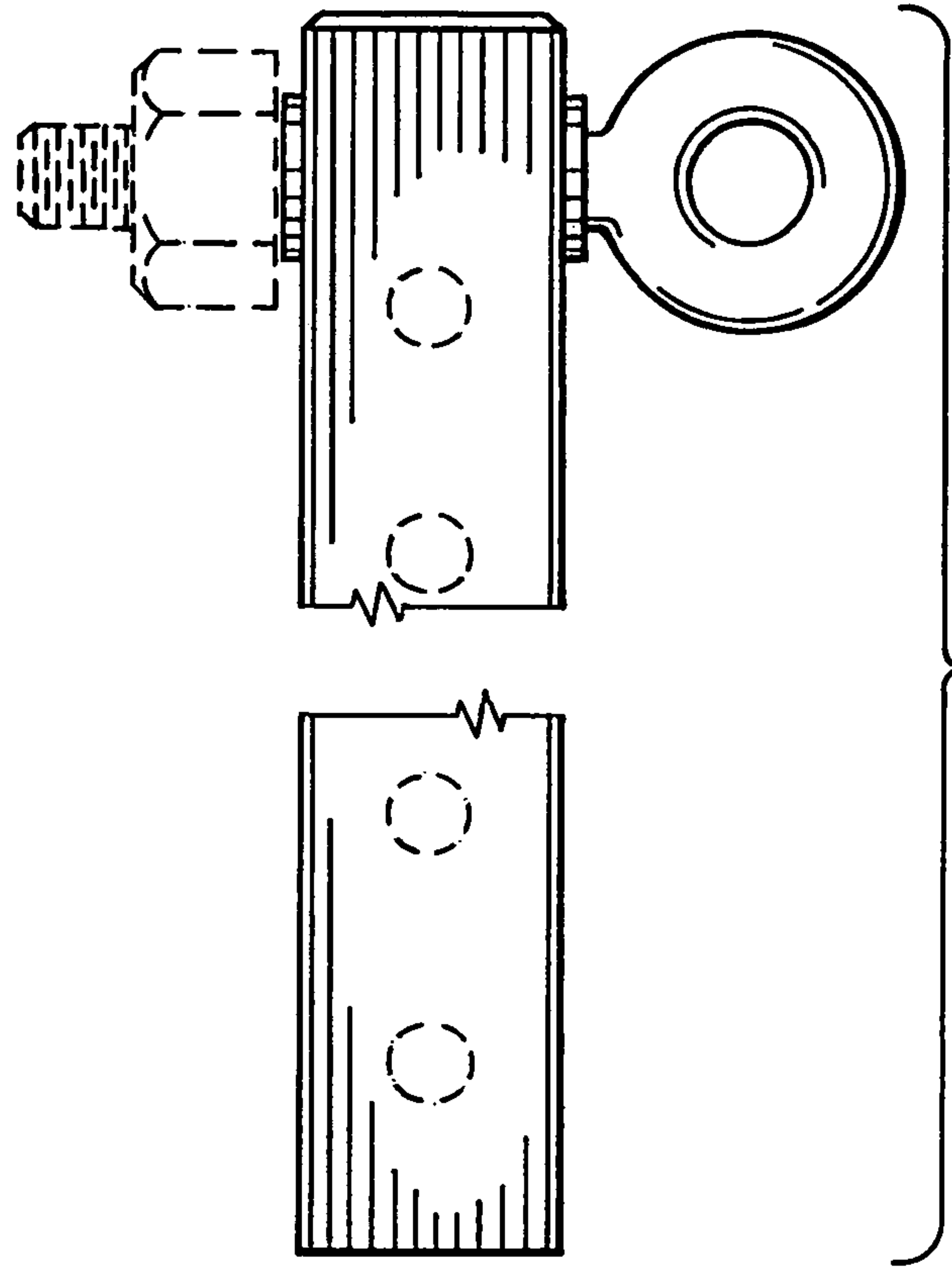


FIG. 2

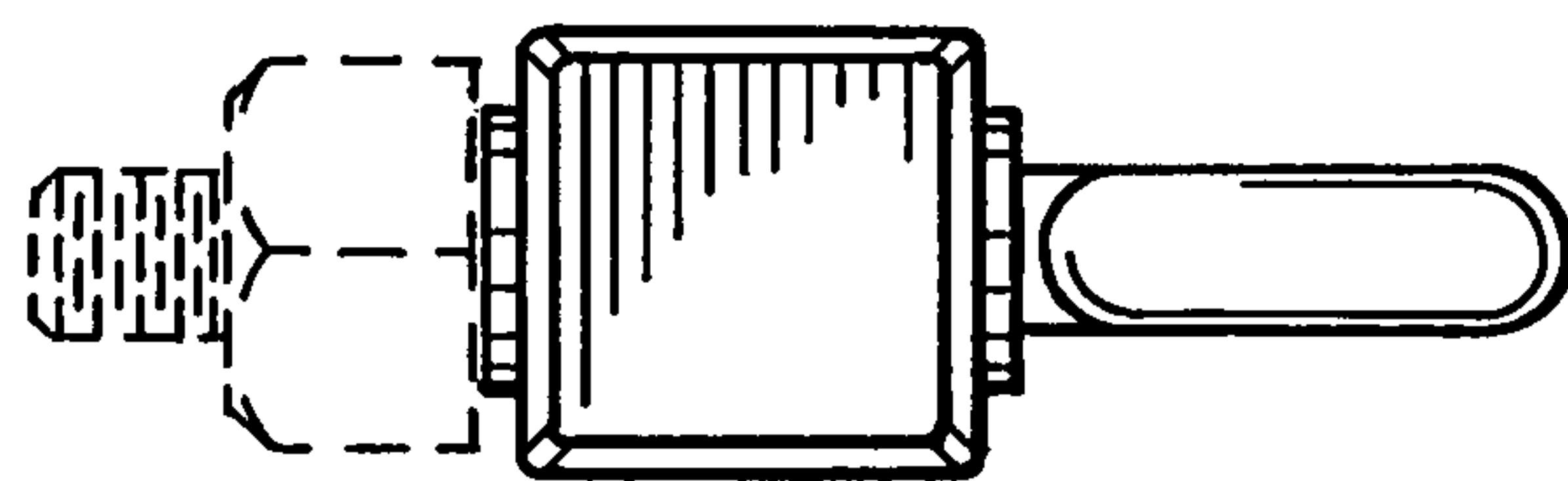


FIG. 3

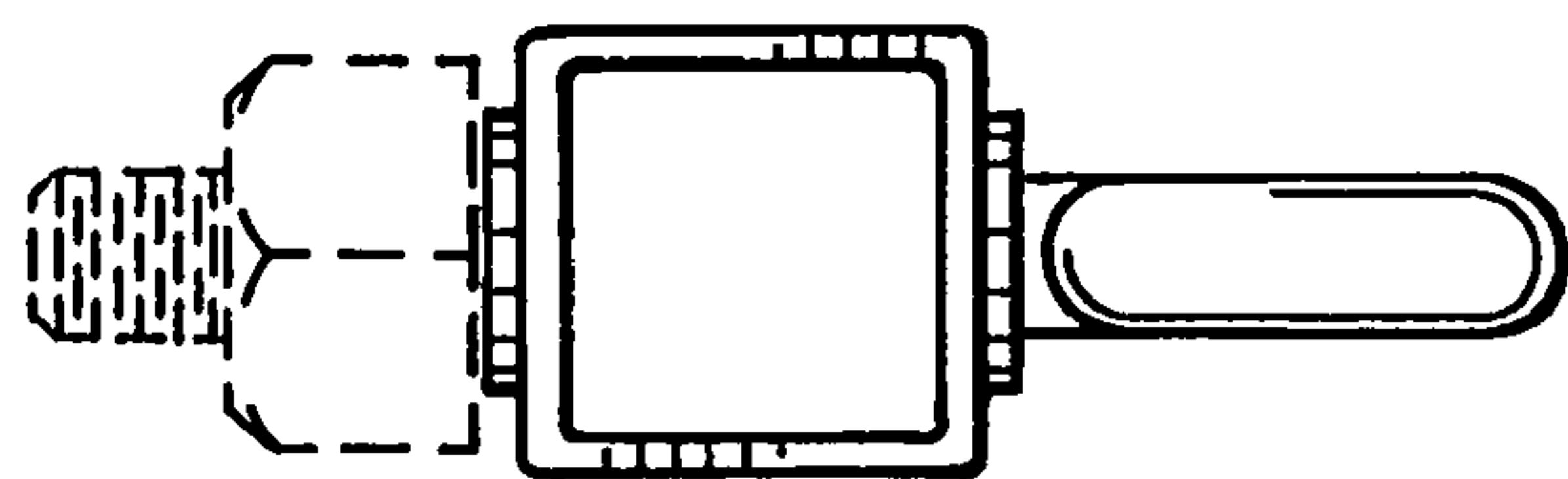


FIG. 4

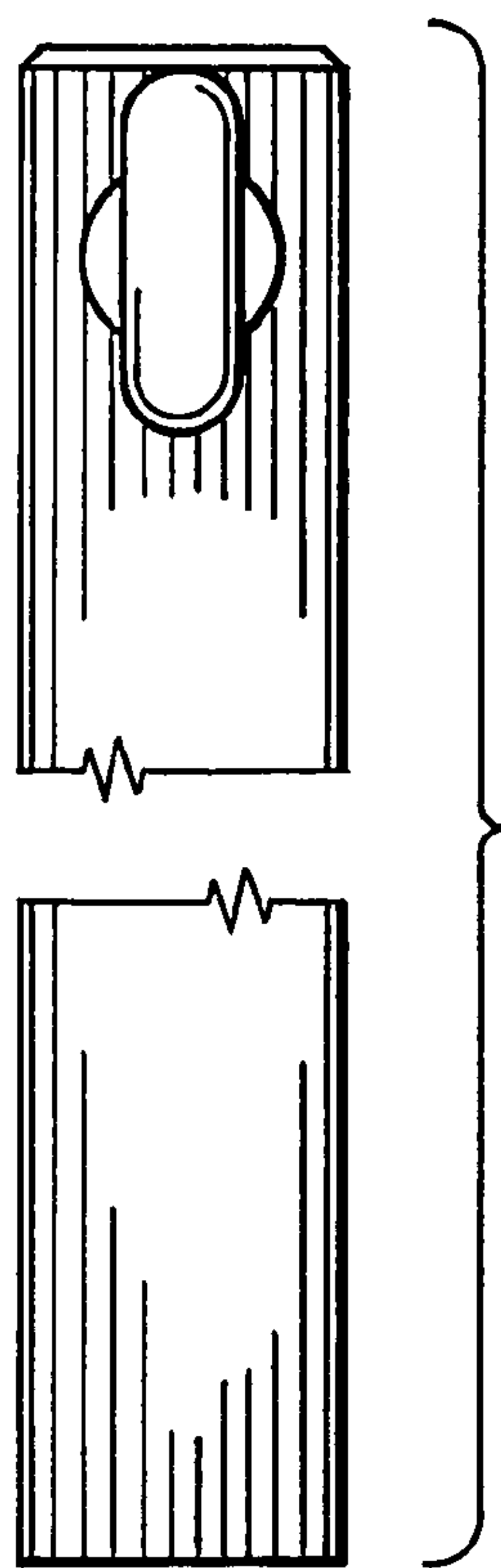


FIG. 5

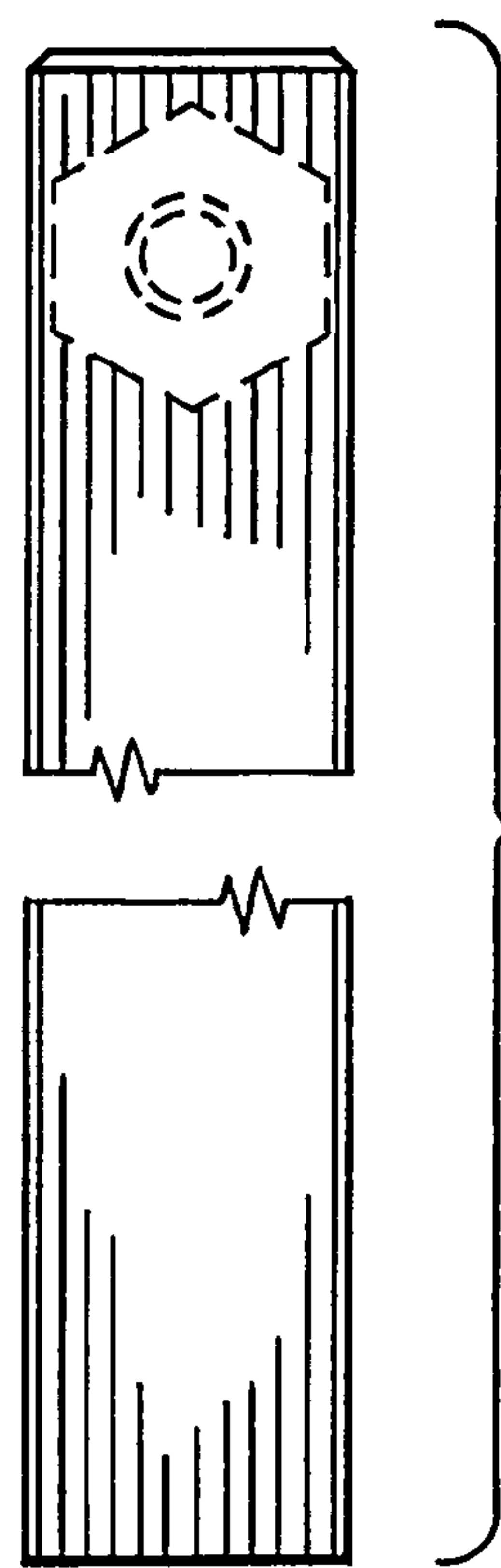


FIG. 6

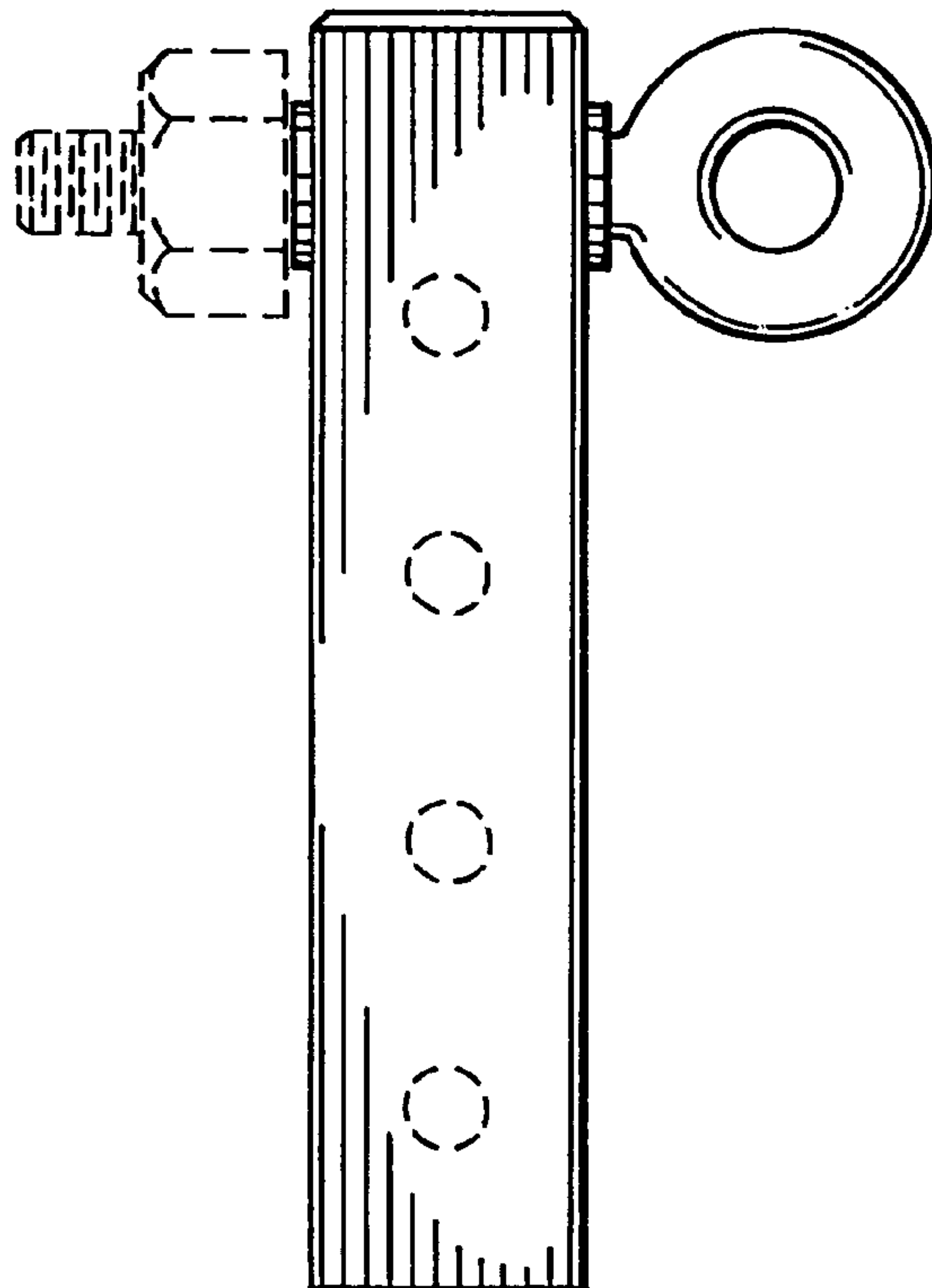


FIG. 7

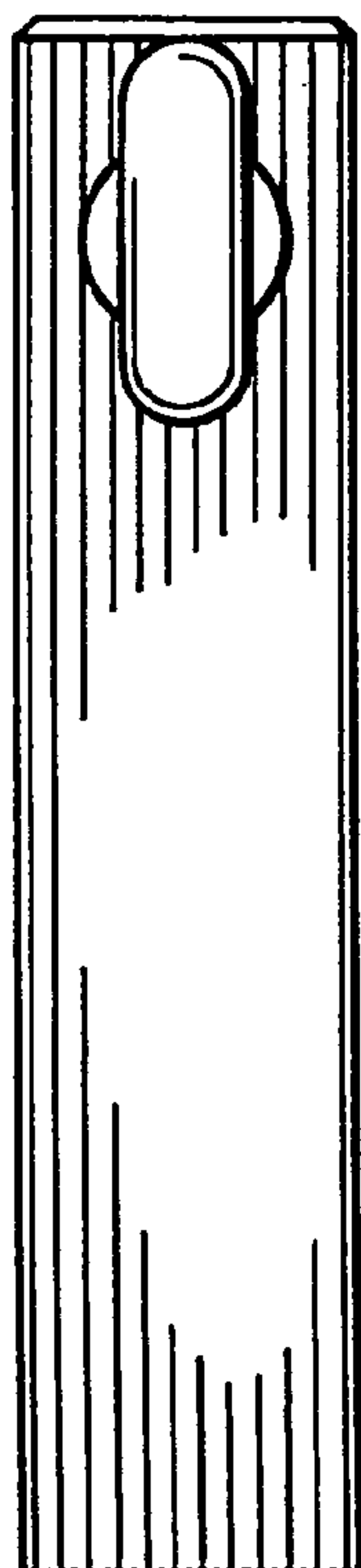


FIG. 8

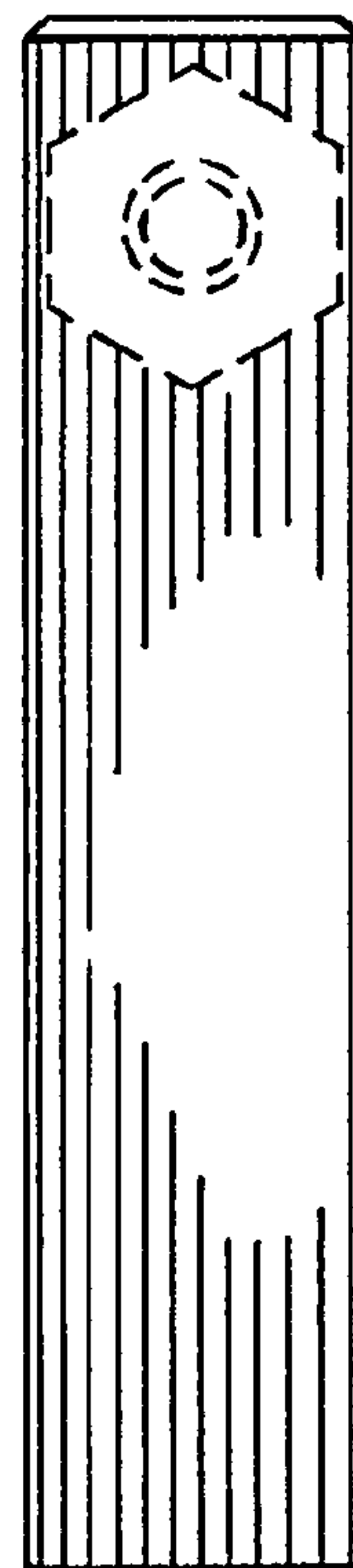


FIG. 9