



US00D736061S

(12) **United States Design Patent**  
**Boeltl**

(10) **Patent No.:** **US D736,061 S**

(45) **Date of Patent:** **\*\* \*Aug. 11, 2015**

(54) **HOOK BASE**

(71) Applicant: **Acorn Engineering Company**, City of Industry, CA (US)

(72) Inventor: **Darryl Mark Boeltl**, Whittier, CA (US)

(73) Assignee: **Acorn Engineering Company**, City of Industry, CA (US)

(\*) Notice: This patent is subject to a terminal disclaimer.

(\*\*) Term: **14 Years**

(21) Appl. No.: **29/442,206**

(22) Filed: **Jan. 4, 2013**

(51) **LOC (10) Cl.** ..... **11-05**

(52) **U.S. Cl.**  
USPC ..... **D8/352**; D6/524

(58) **Field of Classification Search**  
USPC ..... D6/518–524, 546–550, 323;  
D8/350–353, 300, 303, 315–321;  
108/28, 29; 211/13.1, 16, 60.1, 86.01,  
211/87.01, 88.01, 88.04, 100, 105.1, 105.2,  
211/123, 181.1, 182; 248/175, 176.1, 251,  
248/302; 242/570, 590, 595–598; 16/110.1,  
16/415

See application file for complete search history.

(56) **References Cited**

**U.S. PATENT DOCUMENTS**

1,594,714	A *	8/1926	Eustis et al. ....	211/123
D175,128	S	7/1955	O’Conner et al.	
D228,061	S *	8/1973	Kartarik .....	D8/350
D263,990	S *	4/1982	Fleischmann et al. ....	D23/252
D284,687	S *	7/1986	Doman et al. ....	D23/249
D300,238	S *	3/1989	Kohler et al. ....	D23/249
D305,863	S *	2/1990	Gresens et al. ....	D8/352
D317,386	S	6/1991	McKeone	
5,026,012	A *	6/1991	Wang .....	248/222.14

D363,183	S	10/1995	Starck	
D369,288	S *	4/1996	Jensen .....	D8/313
D371,006	S	6/1996	Walker et al.	
D372,417	S *	8/1996	Jimenez .....	D8/343
D385,956	S *	11/1997	Doughty et al. ....	D23/259
D404,802	S *	1/1999	Delker .....	D23/252
D405,995	S *	2/1999	Harris .....	D6/524
D409,030	S	5/1999	Sweetman	
D416,139	S	11/1999	Roth et al.	
D451,687	S	12/2001	Sun et al.	
D453,433	S *	2/2002	Gilbert et al. ....	D6/524
D481,234	S *	10/2003	Lai .....	D6/524
D481,569	S	11/2003	Cummings	
D494,455	S *	8/2004	Winter et al. ....	D8/376
D497,754	S	11/2004	Graves et al.	
D513,166	S *	12/2005	Huang .....	D8/350
D530,556	S *	10/2006	Berberet et al. ....	D6/550
7,124,451	B2 *	10/2006	Moore .....	4/576.1
D533,641	S *	12/2006	Singtoroj .....	D23/249
D544,221	S	6/2007	Krumpe et al.	
D547,165	S *	7/2007	Barrese .....	D8/380
D552,961	S *	10/2007	Roberts .....	D8/331
D553,404	S *	10/2007	Rexach .....	D6/524
D563,526	S *	3/2008	Bauer .....	D23/249

(Continued)

*Primary Examiner* — Mark Goodwin

(74) *Attorney, Agent, or Firm* — William S. Ramsey

(57) **CLAIM**

The ornamental design for a hook base, as shown and described.

**DESCRIPTION**

FIG. 1 is a perspective view of a hook base showing my new design;

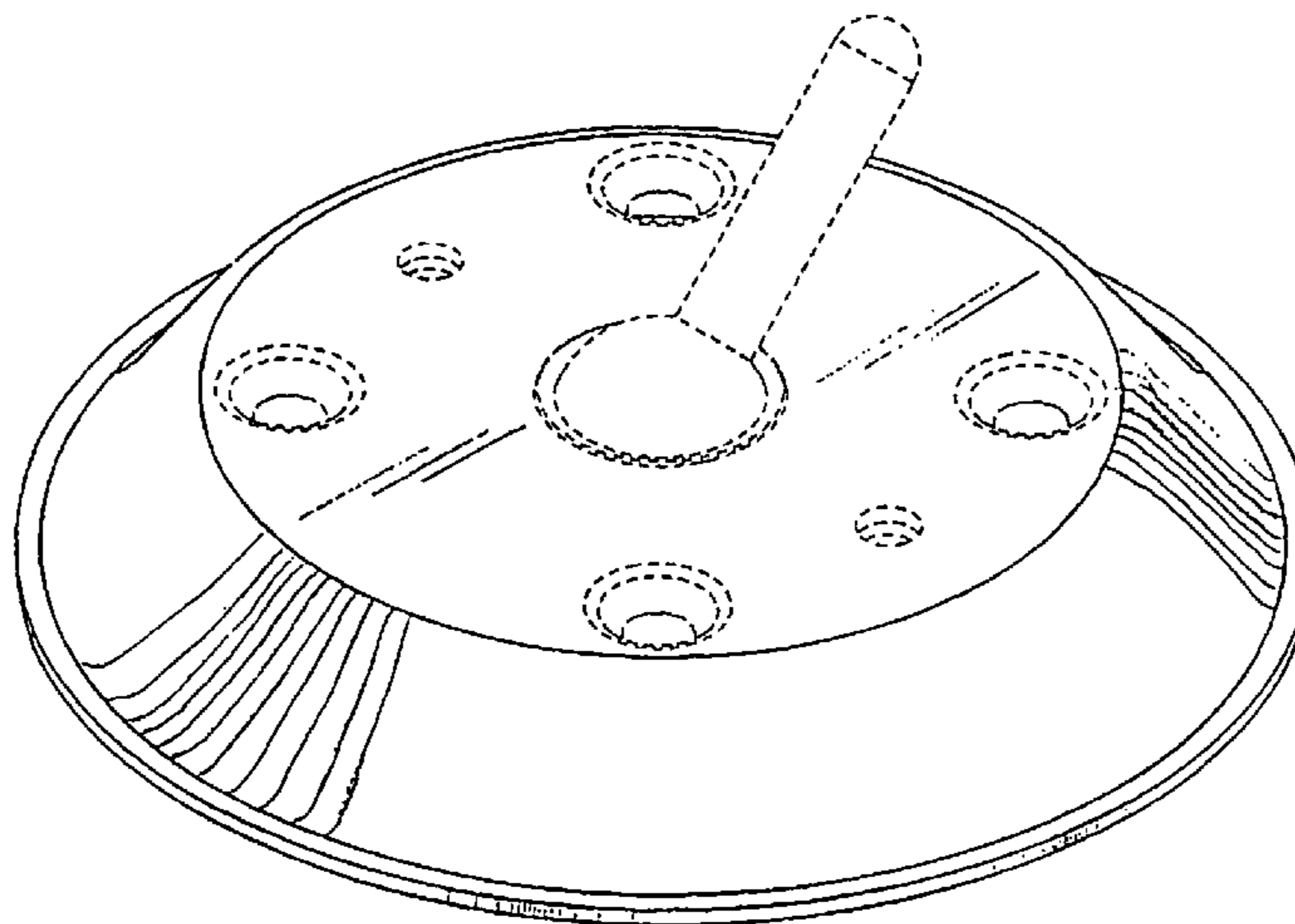
FIG. 2 is a front plan view thereof;

FIG. 3 is a top side elevational view thereof, the bottom side elevational view thereof is identical; and,

FIG. 4 is a right side elevational view thereof, the left side elevational view thereof is identical.

The hook and attachment holes are shown in broken lines for illustrative purposes only and form no part of the claimed design.

**1 Claim, 4 Drawing Sheets**



(56)

References Cited

U.S. PATENT DOCUMENTS

D565,937 S *	4/2008	Tsai	.....	D8/363	D641,435 S *	7/2011	Coote	.....	D21/694
D583,600 S *	12/2008	Ricereto	.....	D6/524	D648,424 S *	11/2011	Gilbert	.....	D23/254
D600,960 S	9/2009	Krumke			D648,834 S *	11/2011	Gilbert	.....	D23/254
D605,935 S *	12/2009	Zeyfang	.....	D8/402	D666,012 S *	8/2012	Walker et al.	.....	D6/350
D609,040 S *	2/2010	Koury	.....	D6/550	D678,752 S *	3/2013	Sedwick	.....	D8/352
D609,515 S *	2/2010	Krumpe	.....	D6/550	D679,171 S *	4/2013	Sedwick	.....	D8/352
D616,682 S *	6/2010	Gilbert	.....	D6/524	D691,031 S *	10/2013	Harwanko	.....	D8/376
D634,571 S *	3/2011	Hanna et al.	.....	D6/524	D703,791 S *	4/2014	Gilbert	.....	D23/249
D640,078 S	6/2011	Gilbert			D704,308 S *	5/2014	Gilbert	.....	D23/249
					2010/0126239 A1	5/2010	Berger		
					2010/0147407 A1 *	6/2010	Rosko et al.	.....	137/801
					2011/0315245 A1	12/2011	Neagoe		

\* cited by examiner

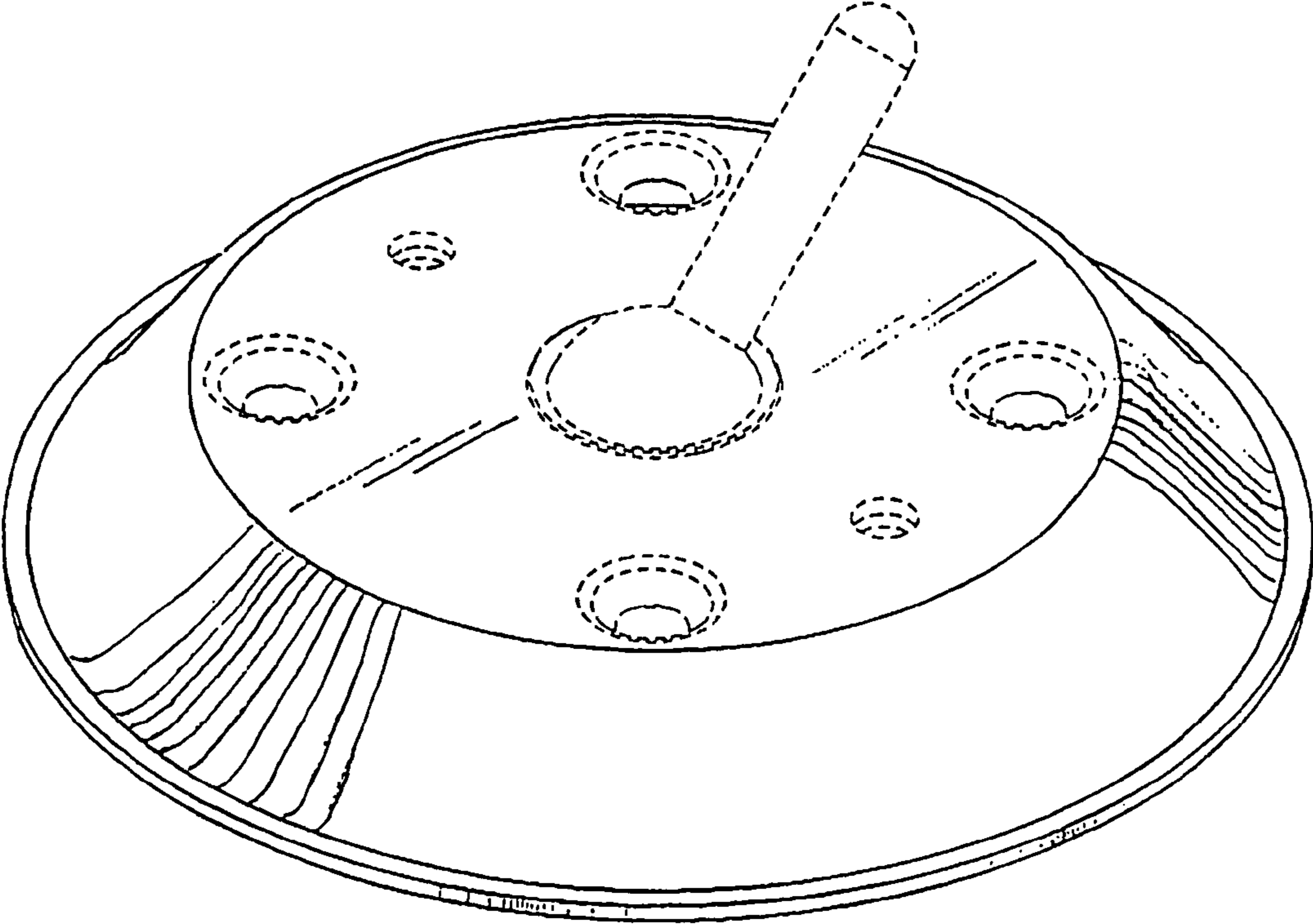


Fig. 1

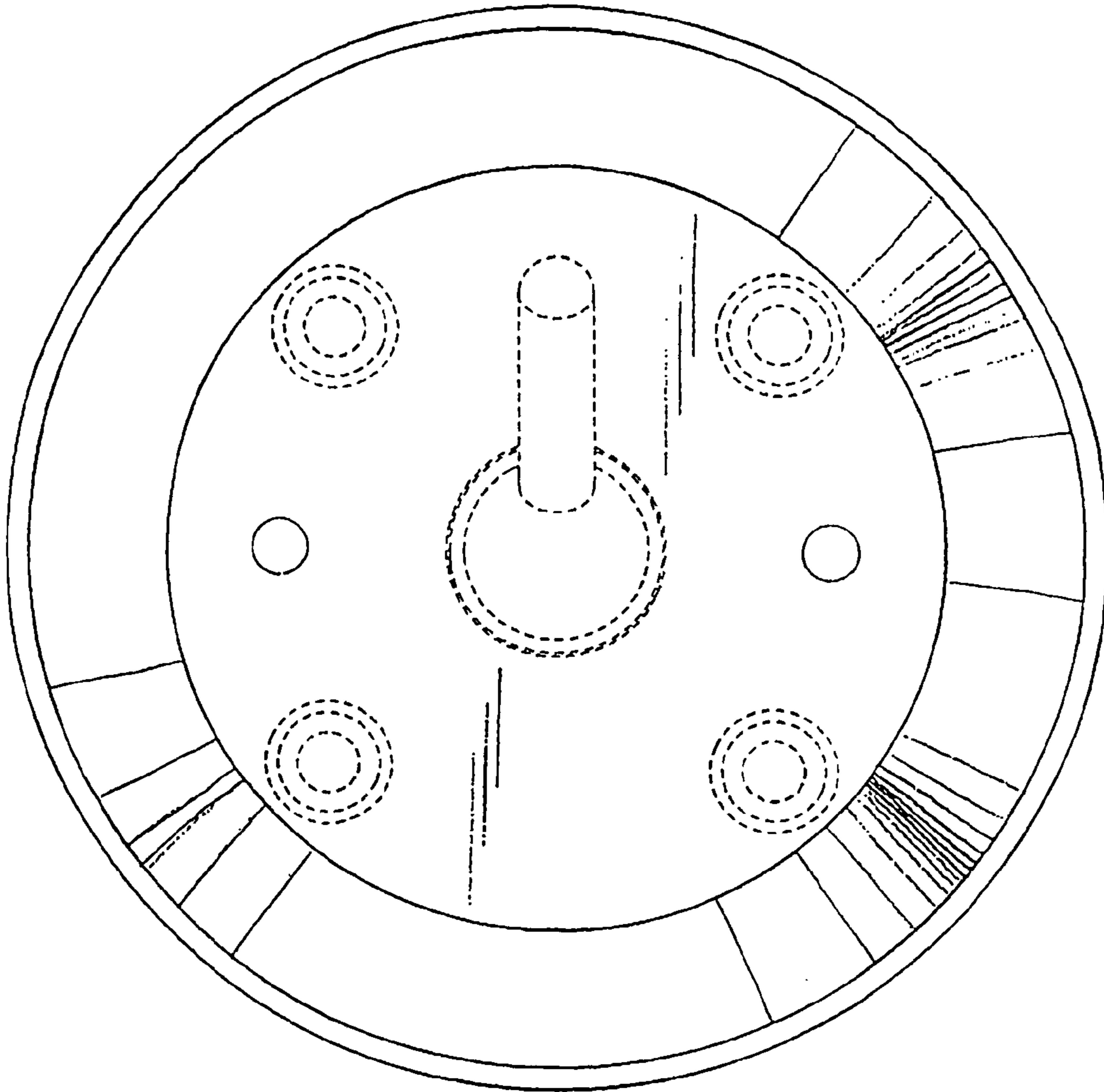


Fig. 2

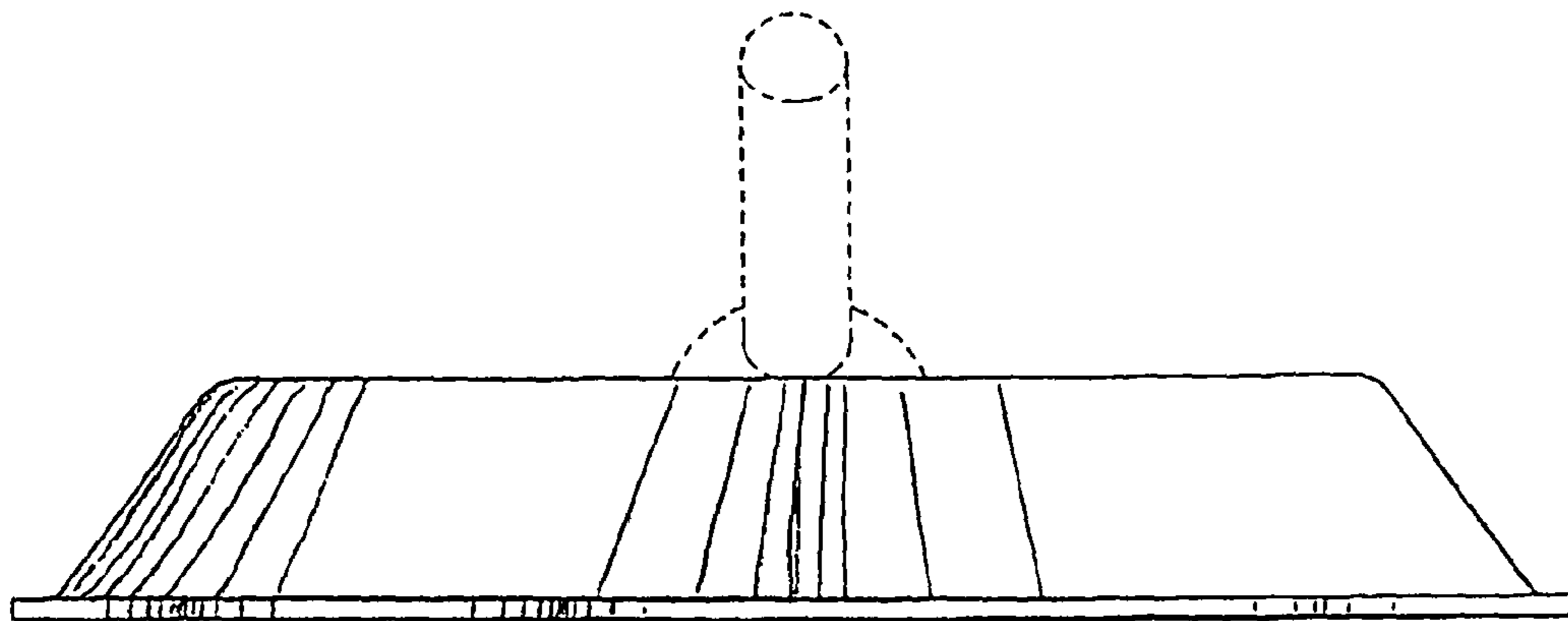


Fig. 3

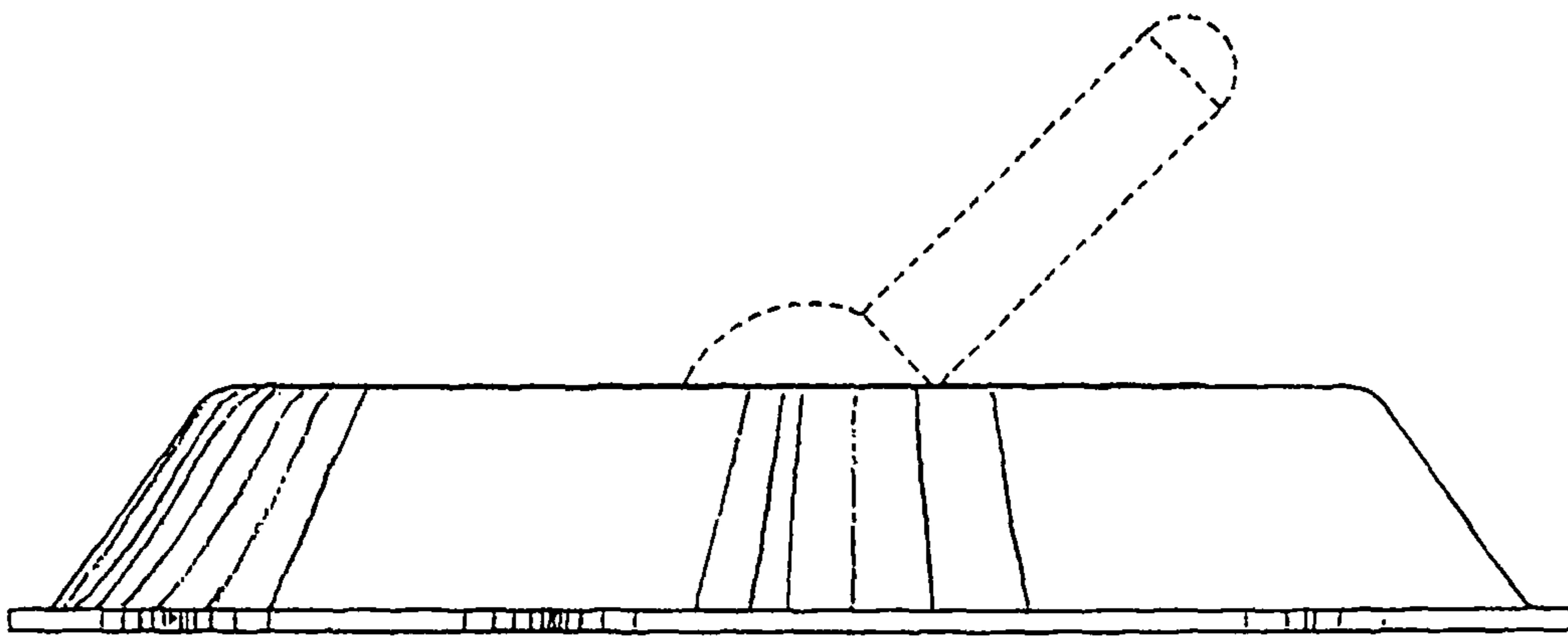


Fig. 4