



US00D736060S

(12) **United States Design Patent**
Shimizu et al.

(10) **Patent No.:** **US D736,060 S**

(45) **Date of Patent:** **** Aug. 11, 2015**

(54) **FASTENER**

(75) Inventors: **Yasutaka Shimizu**, Sagamihara (JP);
Yoshimi Arai, Tokyo (JP)

(73) Assignee: **NIFCO INC.**, Yokohama-Shi, Kanagawa
(JP)

(**) Term: **14 Years**

(21) Appl. No.: **29/421,227**

(22) Filed: **Jun. 15, 2012**

(30) **Foreign Application Priority Data**

Dec. 22, 2011 (JP) 2011-029772

(51) **LOC (10) Cl.** **08-05**

(52) **U.S. Cl.**
USPC **D8/349**

(58) **Field of Classification Search**
USPC D8/349, 350, 353, 354, 355, 356, 359,
D8/366, 367, 373, 374, 394; 248/56, 58,
248/61, 62, 63, 74.1, 74.2, 74.4; 410/96,
410/101, 106, 109, 113, 116; D11/200,
D11/201, 206, 221; 24/381, 399, 405, 415,
24/429, 430, 431

See application file for complete search history.

(56) **References Cited**

U.S. PATENT DOCUMENTS

2,453,980	A *	11/1948	Hartman	248/68.1
2,996,275	A *	8/1961	Holton	248/73
3,516,631	A *	6/1970	Santucci	248/71
D250,875	S *	1/1979	Lindblom	D8/356
D252,896	S *	9/1979	Jovin	D11/221
D283,006	S *	3/1986	Carter et al.	D8/349
4,607,991	A *	8/1986	Porter	410/110

D298,604	S *	11/1988	Newton	D8/380
D319,571	S *	9/1991	Bennett et al.	D8/356
D326,404	S *	5/1992	Spell	D8/356
D337,506	S *	7/1993	Ford	D8/306
D355,583	S *	2/1995	Beauchane	D8/356
D387,651	S *	12/1997	Viklund	D8/356
D417,611	S *	12/1999	van de Lande	D8/395
D420,568	S *	2/2000	Repmann et al.	D8/382
D425,779	S *	5/2000	Nakamura	D8/356
D428,326	S *	7/2000	Nakamura	D8/356
D448,322	S *	9/2001	Nakamura	D11/221
D534,791	S *	1/2007	Fujiwara et al.	D8/382
D547,168	S *	7/2007	Churchill	D8/382
D636,661	S *	4/2011	Marmas	D8/395
D650,265	S *	12/2011	Wong	D8/383

* cited by examiner

Primary Examiner — Eric Goodman

Assistant Examiner — Bao-Yen Nguyen

(74) *Attorney, Agent, or Firm* — Manabu Kanesaka

(57) **CLAIM**

The ornamental design for a fastener, as shown and described.

DESCRIPTION

FIG. 1 is a front view of a fastener showing our new design, a rear view being a mirror image of the front view;

FIG. 2 is a right view thereof, a left view being a mirror image of the right view;

FIG. 3 is a plan view thereof;

FIG. 4 is a bottom view thereof;

FIG. 5 is a cross-sectional view thereof taken along line 5-5 in FIG. 1;

FIG. 6 is a cross-sectional view thereof taken along line 6-6 in FIG. 1; and,

FIG. 7 is a cross-sectional view thereof taken along line 7-7 in FIG. 2.

1 Claim, 3 Drawing Sheets

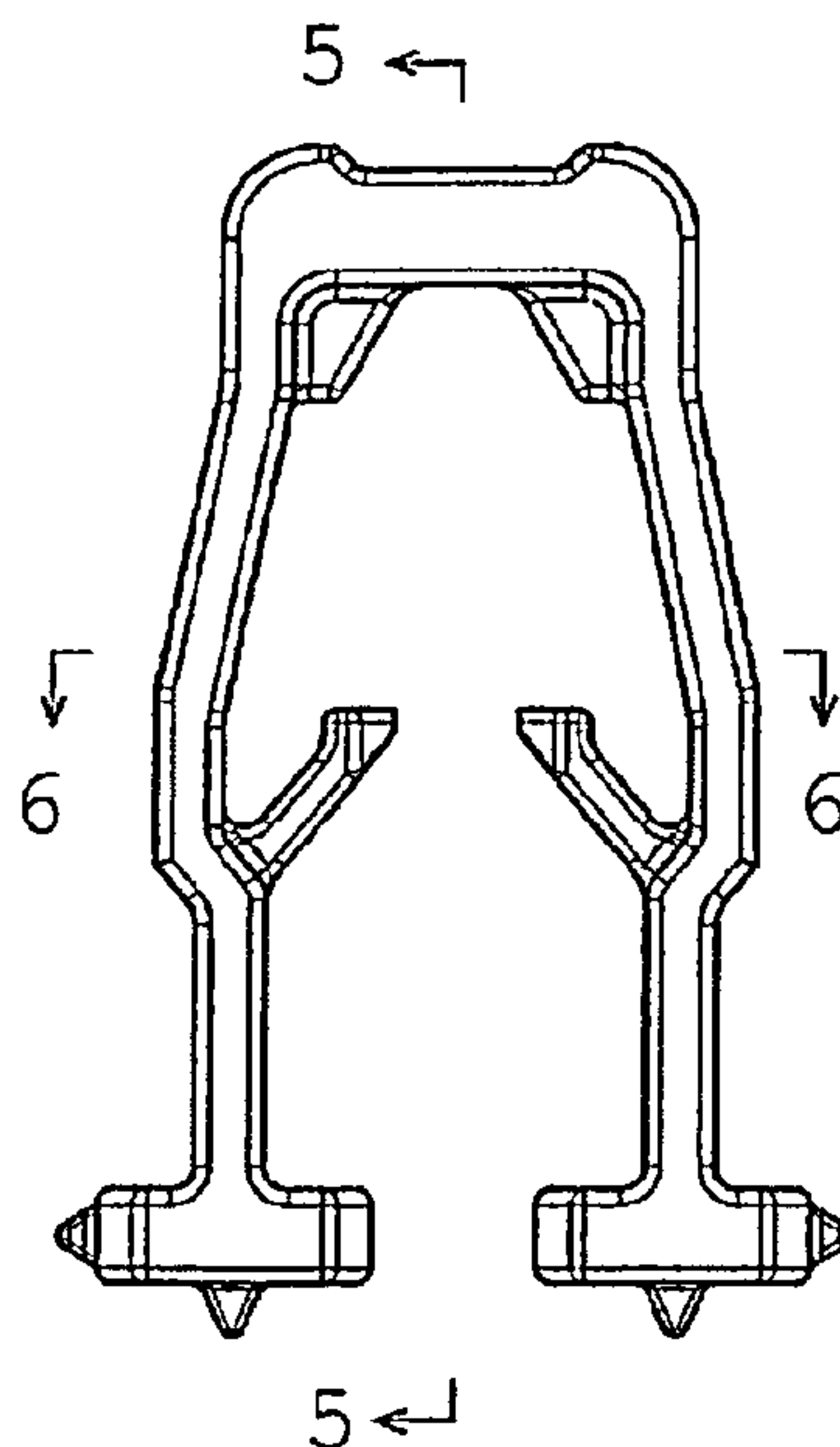


FIG. 1

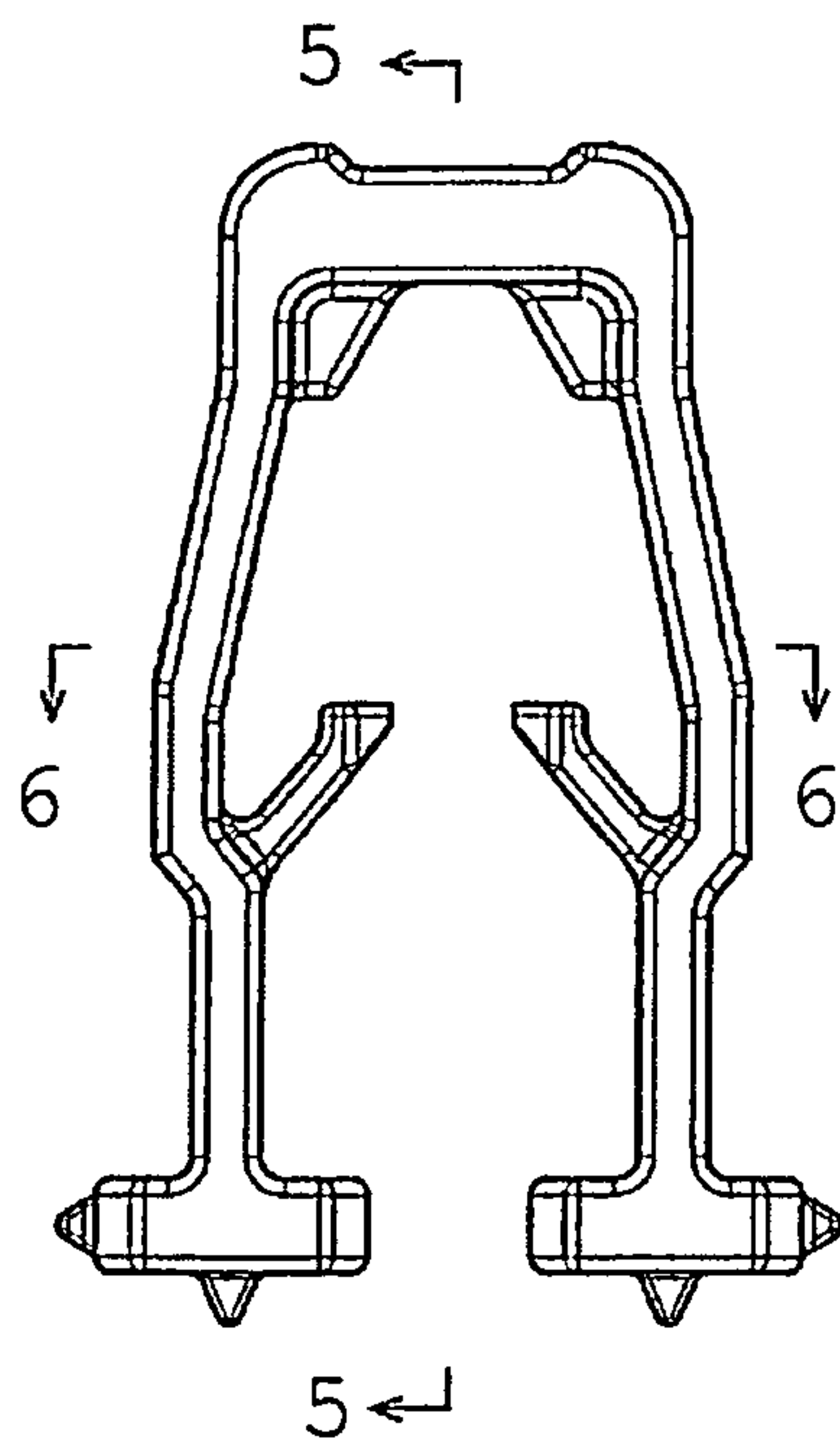


FIG. 2

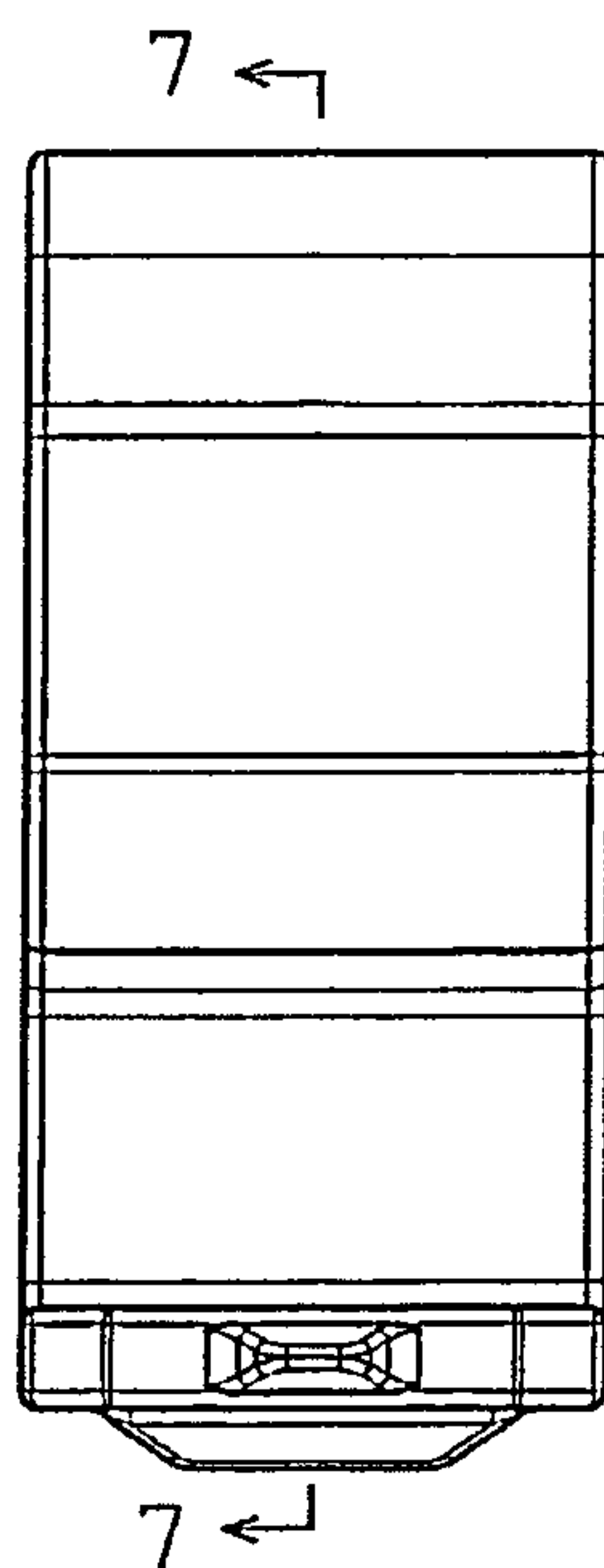


FIG. 3

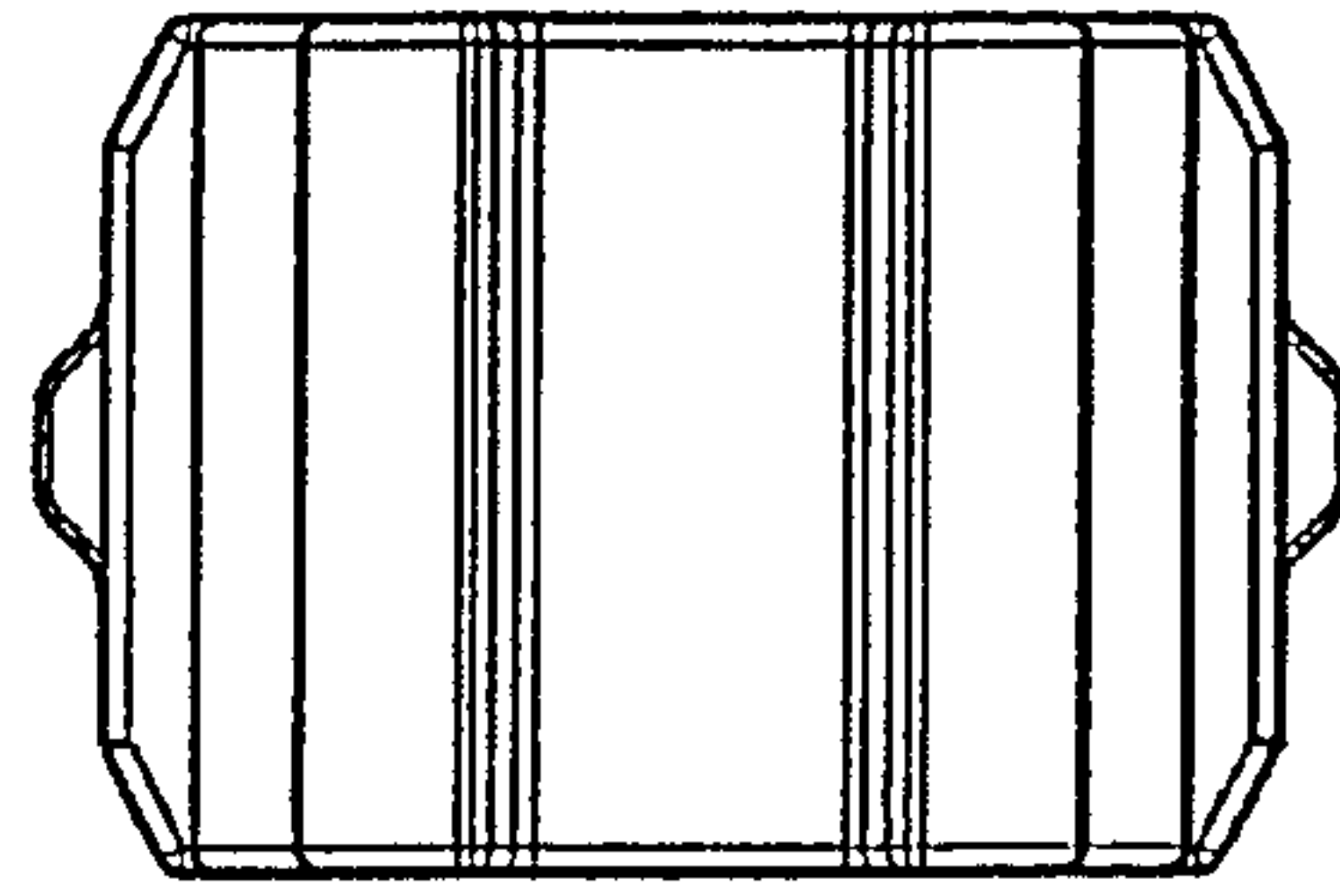


FIG. 4

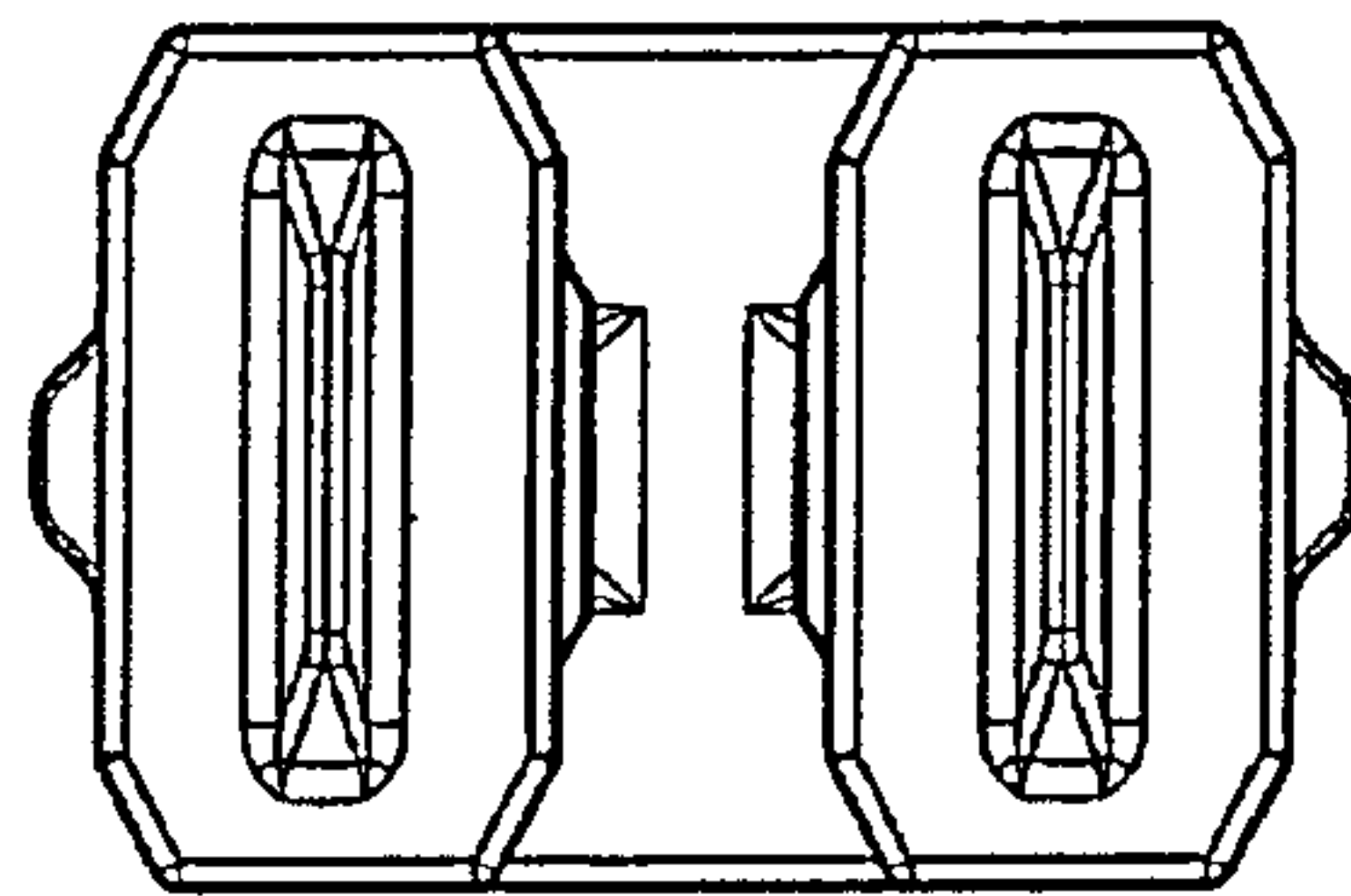


FIG. 5

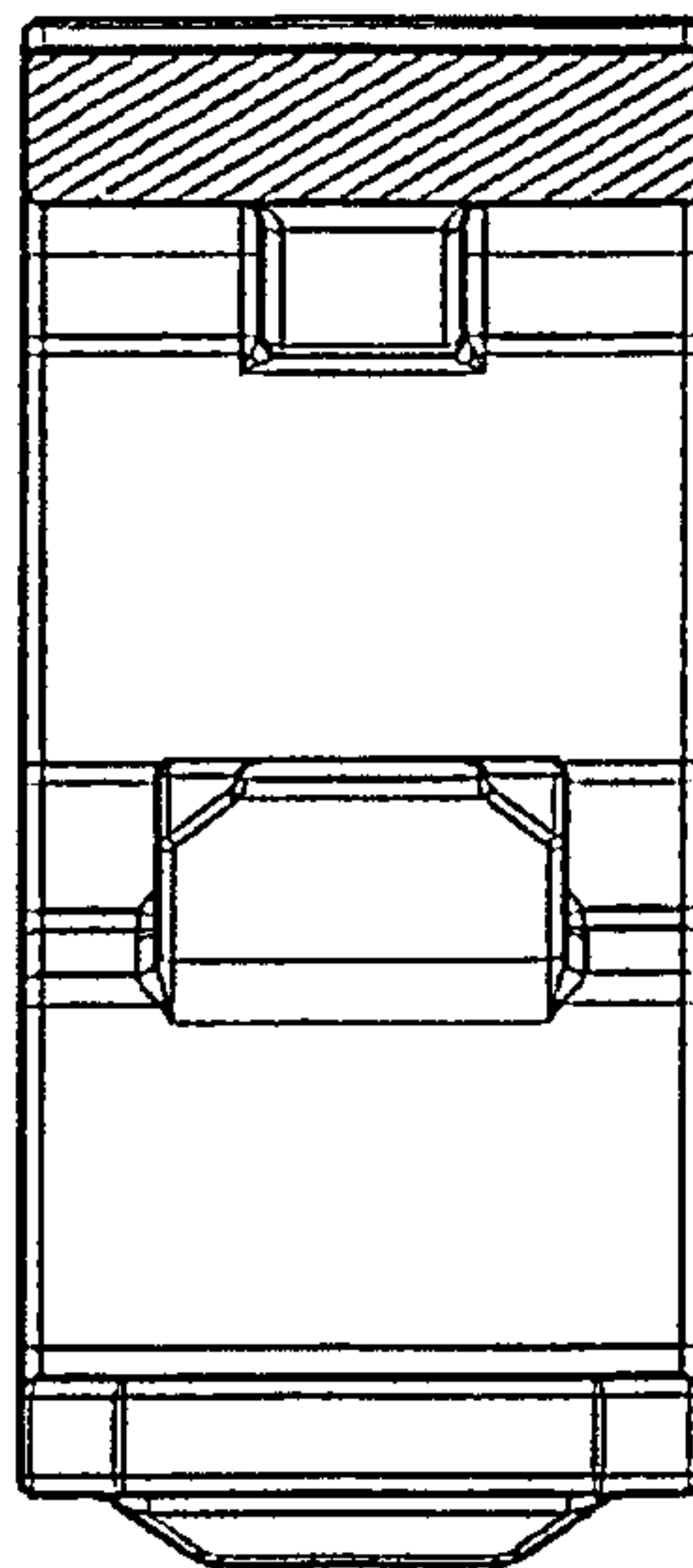


FIG. 6

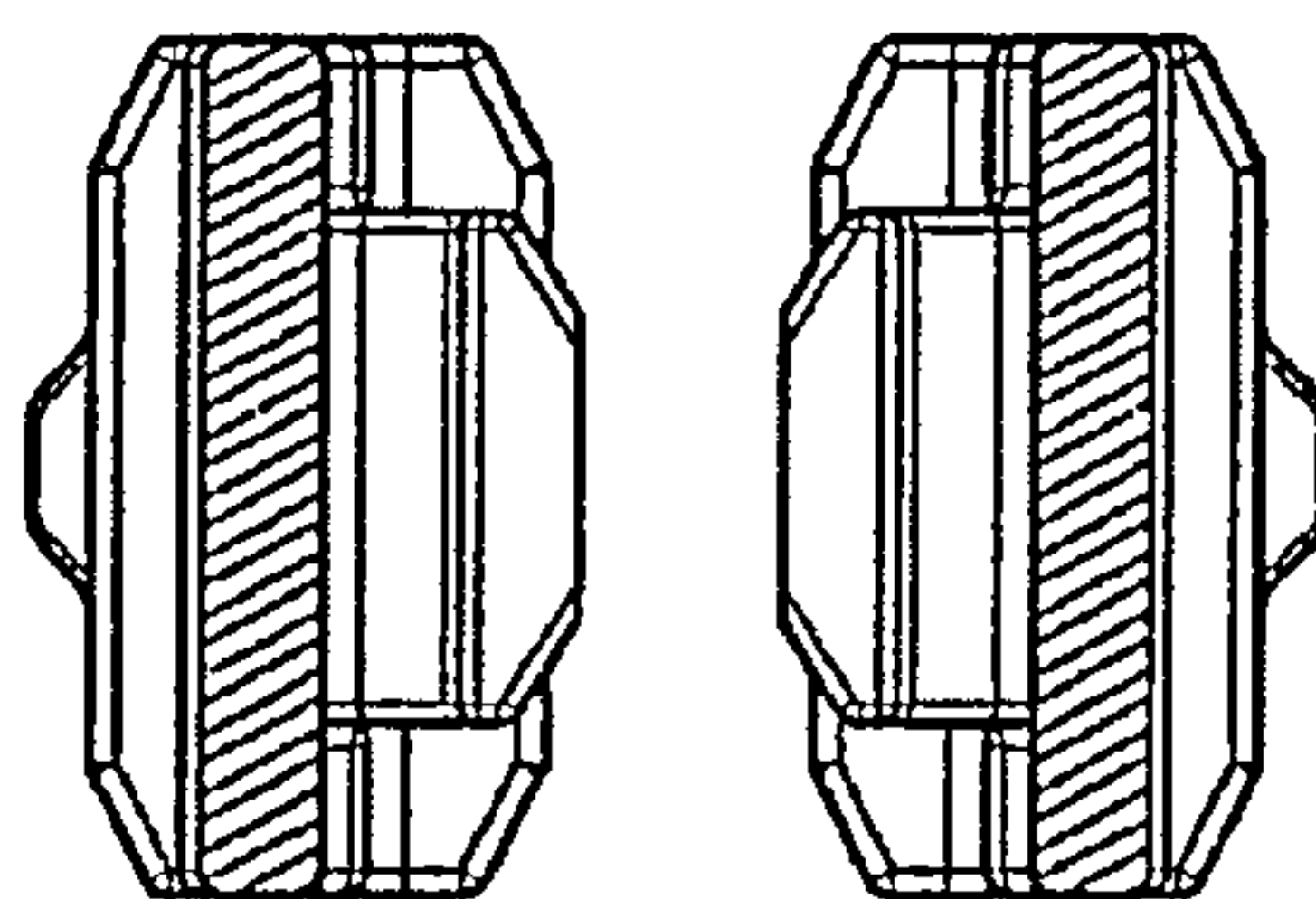


FIG. 7

