



US00D736059S

(12) **United States Design Patent**
Kong et al.

(10) **Patent No.:** **US D736,059 S**

(45) **Date of Patent:** **** Aug. 11, 2015**

(54) **WALL CONNECTOR**

(75) Inventors: **Duck Young Kong**, Grand Rapids, MI (US); **Thomas Overthun**, San Francisco, CA (US); **Elger Oberwelz**, San Francisco, CA (US)

(73) Assignee: **Steelcase Inc.**, Grand Rapids, MI (US)

(**) Term: **14 Years**

(21) Appl. No.: **29/414,143**

(22) Filed: **Feb. 24, 2012**

(51) **LOC (10) Cl.** **08-05**

(52) **U.S. Cl.**
USPC **D8/349**

(58) **Field of Classification Search**
USPC D8/330, 349, 350, 352, 354, 355, 356, D8/363, 367, 382, 383; 248/58, 62, 72, 248/200, 201, 205.1, 207, 214, 229, 300; 73/493, 627, 628, 632, 649; D12/415; D13/173; D14/453; D99/43

See application file for complete search history.

(56) **References Cited**

U.S. PATENT DOCUMENTS

D35,000 S *	8/1901	Kendrick	D6/503
D237,046 S *	10/1975	Sloan	D8/363
D318,785 S *	8/1991	Dean	D8/373
D332,950 S *	2/1993	Kirwan et al.	D14/453
D333,421 S *	2/1993	Patti	D8/356
D359,944 S *	7/1995	Roberts et al.	D12/415
D403,951 S *	1/1999	Lin	D8/356
D550,540 S *	9/2007	Nawrocki	D8/354
D563,771 S *	3/2008	Prechtel et al.	D8/354
D572,569 S *	7/2008	Magnesio et al.	D8/354
D575,631 S *	8/2008	Huang	D8/354
D599,190 S *	9/2009	Huang	D8/354

D599,193 S *	9/2009	Meyer et al.	D8/354
D602,765 S *	10/2009	Craiglow	D8/356
D606,844 S *	12/2009	Glass et al.	D8/356
D625,168 S *	10/2010	Chen	D8/354
D629,987 S *	12/2010	D'Ulisse	D32/58
D635,008 S *	3/2011	Virgin	D8/349
D649,863 S *	12/2011	Meyer	D8/354

OTHER PUBLICATIONS

X-Pegs Sales Sheet, downloaded on Feb. 20, 2012 from www.nexusbyghent.com/assets/files/Nexus_XPeg.pdf (2 pages).

Caddy Sales Sheet, downloaded on Feb. 20, 2012 from www.nexusbyghent.com/assets/files/Nexus_Caddy.pdf (2 pages).

X-Hangers Sales Sheet, downloaded on Feb. 20, 2012 from www.nexusbyghent.com/assets/files/NexusX-HangersSellSheet.pdf (2 pages).

* cited by examiner

Primary Examiner — Eric Goodman

Assistant Examiner — Bao-Yen Nguyen

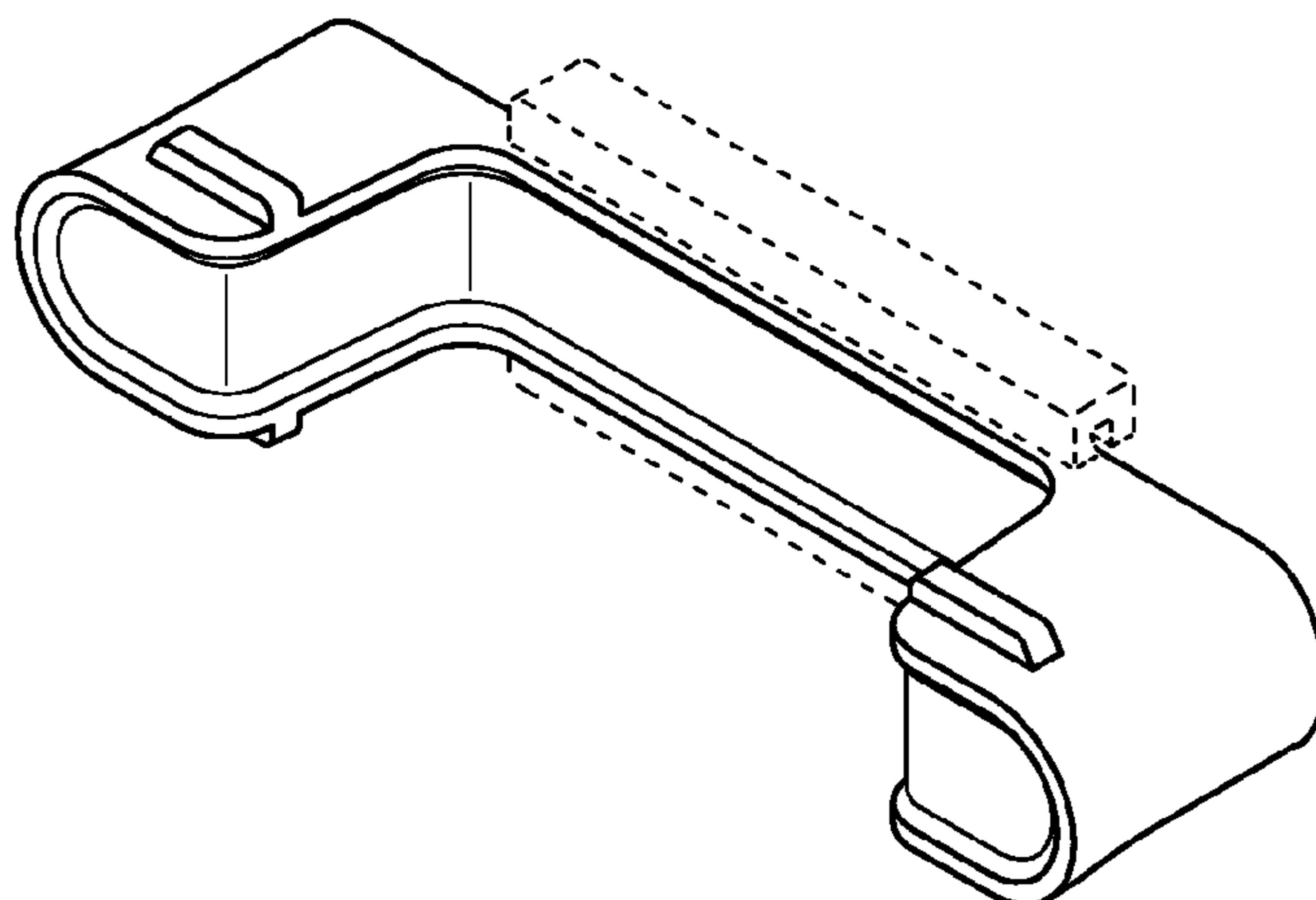
(57) **CLAIM**

We claim the ornamental design for a wall connector, as shown and described.

DESCRIPTION

FIG. 1 is a front perspective view of a wall connector; FIG. 2 is a front view of a wall connector of FIG. 1; FIG. 3 is a rear view of a wall connector of FIG. 1; FIG. 4 is a left side view of a wall connector of FIG. 1, the right side view is a mirror image of the left side view of FIG. 4; and, FIG. 5 is a bottom view of a wall connector of FIG. 1. The broken lines in the drawings depict environmental structure that forms no part of the claimed design.

1 Claim, 1 Drawing Sheet



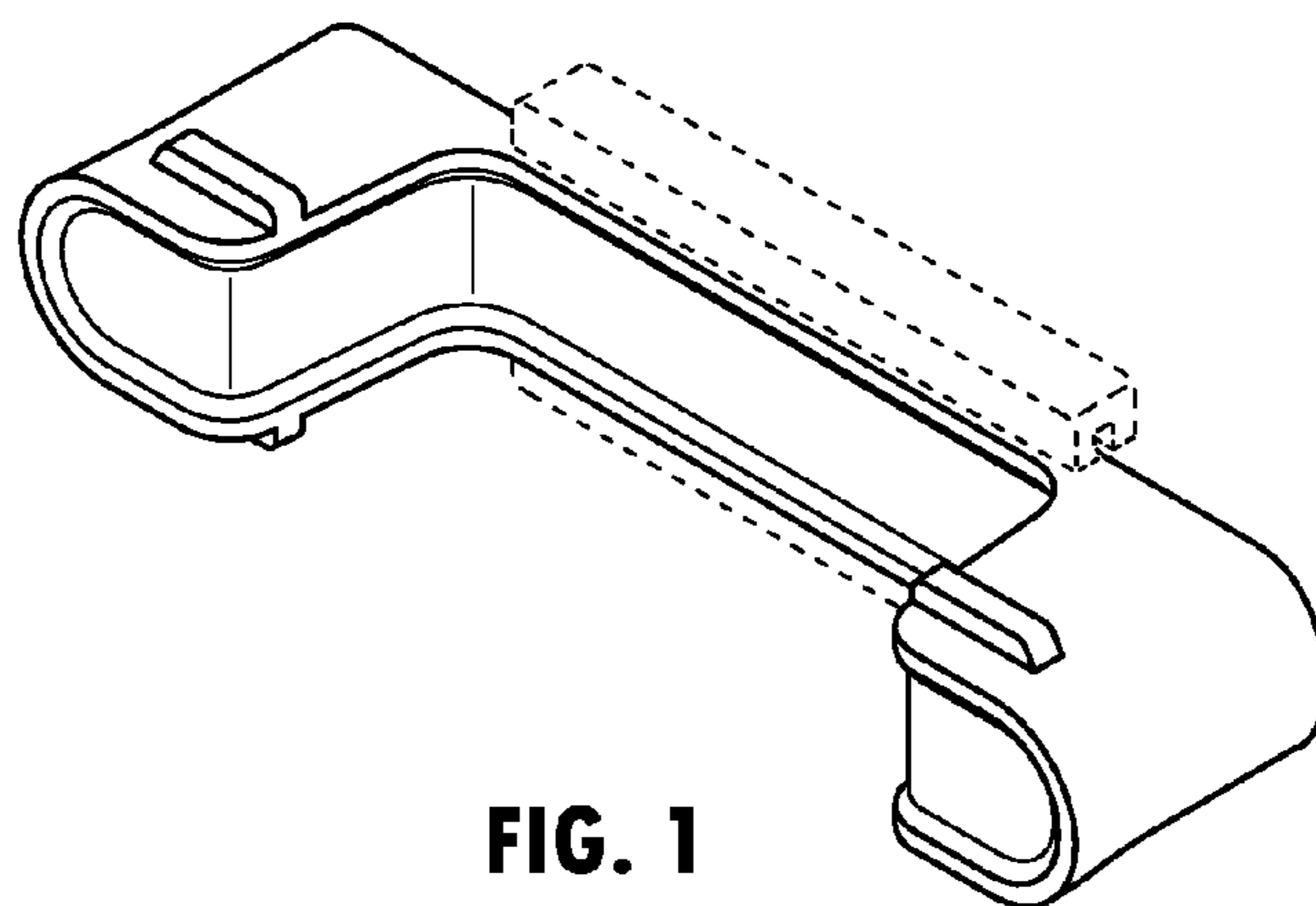


FIG. 1

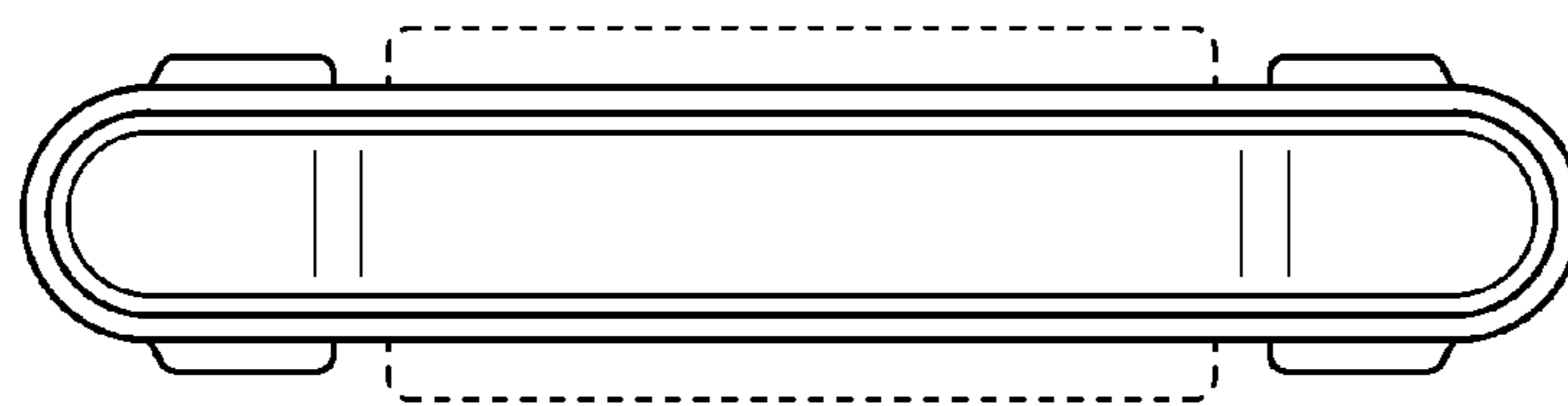


FIG. 2

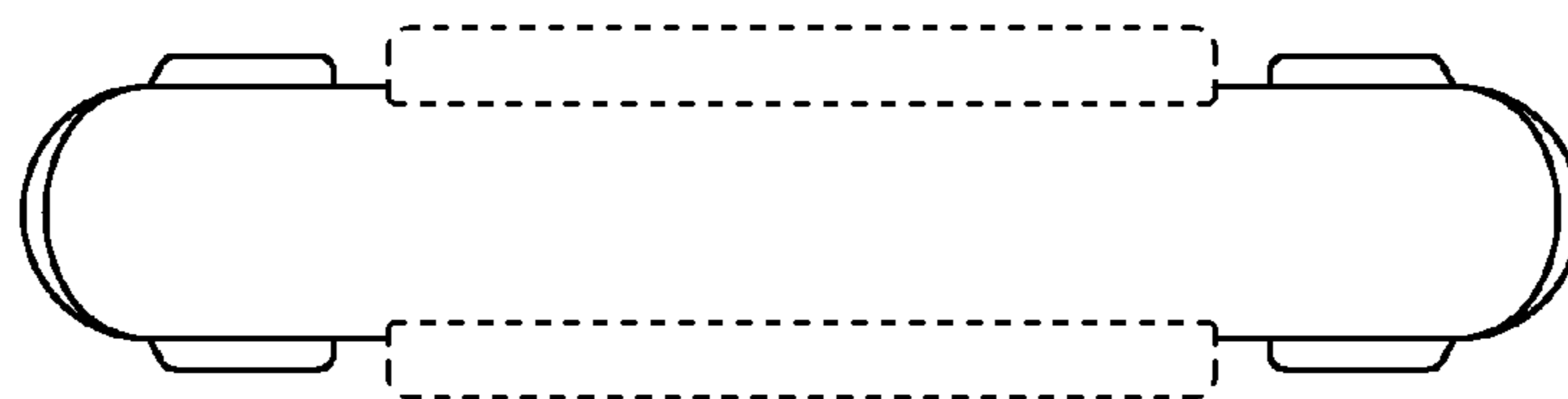


FIG. 3

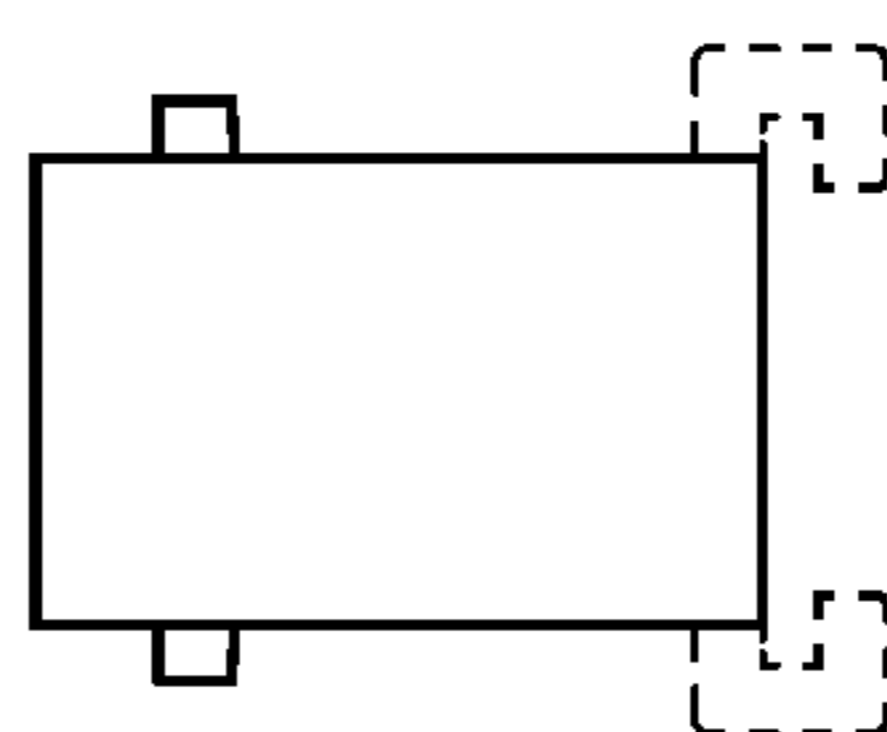


FIG. 4

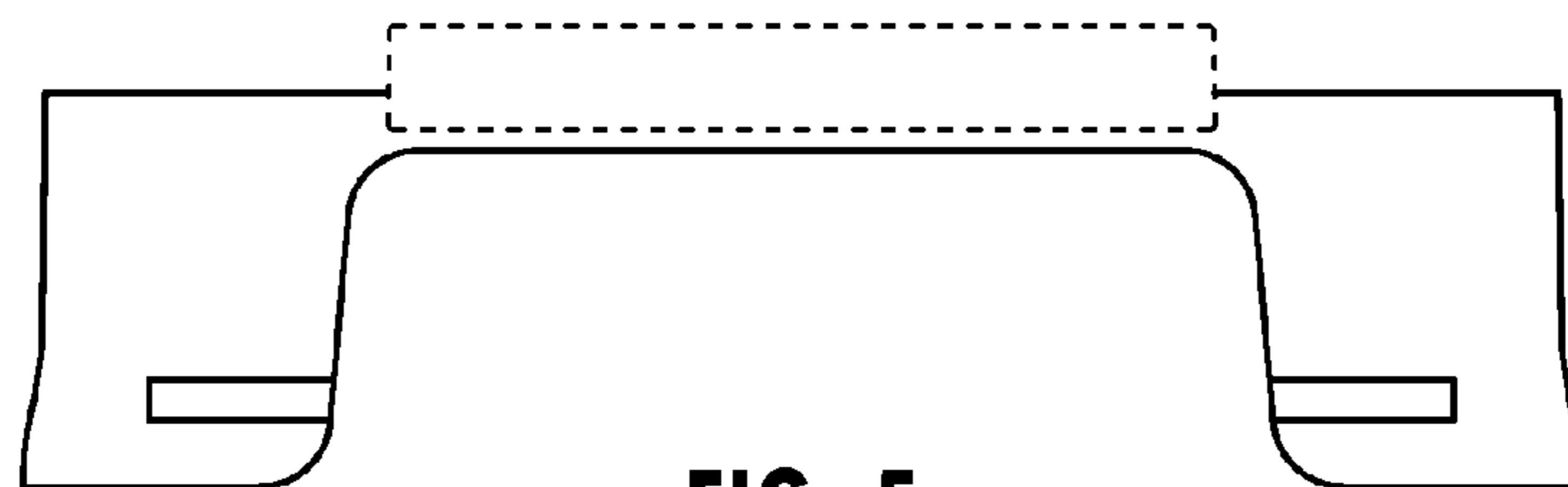


FIG. 5