

US00D736058S

(12) **United States Design Patent**  
**Garthe**

(10) **Patent No.:** **US D736,058 S**

(45) **Date of Patent:** **\*\* Aug. 11, 2015**

(54) **CABLE LOCK**

(71) Applicant: **ABUS August Bremicker Söhne KG,**  
Wetter-Volmarstein (DE)

(72) Inventor: **Bernhard Garthe,** Gevelsberg (DE)

(73) Assignee: **ABUS August Bremicker Söhne KG,**  
Wetter-Volmarstein (DE)

(\*\*) Term: **14 Years**

(21) Appl. No.: **29/499,256**

(22) Filed: **Aug. 13, 2014**

(30) **Foreign Application Priority Data**

Feb. 14, 2014 (EM) ..... 002405316-0001  
Feb. 14, 2014 (EM) ..... 002405316-0002  
Feb. 14, 2014 (EM) ..... 002405316-0003

(51) **LOC (10) Cl.** ..... **08-07**

(52) **U.S. Cl.**  
USPC ..... **D8/333; D8/330; D8/343**

(58) **Field of Classification Search**  
USPC ..... D8/330-333, 339-343, 349, 382, 383,  
D8/394, 396; 70/14-16, 19, 57, 57.1, 58,  
70/141, 158, 224, 225, 226, 233, 431, 416,  
70/465; 292/246-256, 299, 307 R;  
24/17 AP, 16 R, 17 B, 19, 629; 248/73,  
248/74.3  
CPC ..... A01K 27/00; B65D 55/14; E05B 67/36;  
E05B 73/00; E05B 67/06  
See application file for complete search history.

(56) **References Cited**

**U.S. PATENT DOCUMENTS**

2,469,592 A 5/1949 Byer  
3,667,259 A 6/1972 Reque et al.

D339,057 S 9/1993 Lofland  
5,291,765 A \* 3/1994 Hoisington ..... 70/233  
5,365,757 A 11/1994 Primeau et al.  
5,881,582 A 3/1999 Monaco  
6,131,969 A \* 10/2000 Natkins ..... 292/323  
D457,802 S \* 5/2002 Meekma et al. .... D8/333  
D469,332 S \* 1/2003 Meekma et al. .... D8/333  
D477,768 S \* 7/2003 Bridges et al. .... D8/333  
6,775,054 B1 8/2004 Smith et al.  
7,104,093 B2 \* 9/2006 Ling et al. .... 70/30  
D535,177 S \* 1/2007 Hsieh ..... D8/333  
7,293,438 B2 11/2007 Benda  
D619,875 S \* 7/2010 McCauley ..... D8/333  
D632,541 S \* 2/2011 Dresser ..... D8/333  
8,087,558 B2 \* 1/2012 Tsai ..... 224/425  
8,228,192 B2 \* 7/2012 Eckert et al. .... 340/568.2  
8,528,371 B2 \* 9/2013 Spiegel et al. .... 70/18  
8,578,743 B2 \* 11/2013 Yu ..... 70/30

\* cited by examiner

*Primary Examiner* — Prabhakar Deshmukh

(74) *Attorney, Agent, or Firm* — Gifford, Krass, Sprinkle,  
Anderson & Citkowski, P.C.

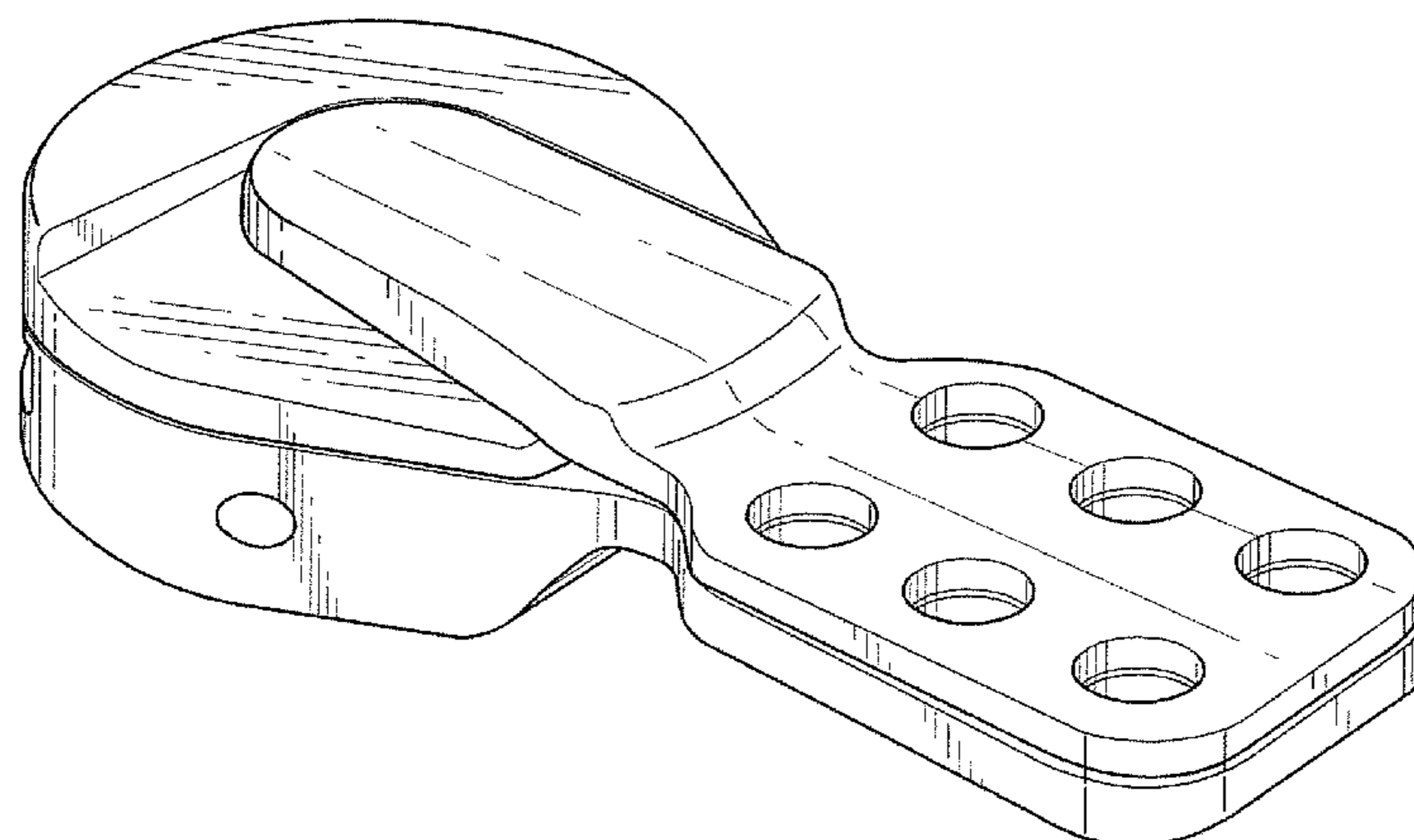
(57) **CLAIM**

The ornamental design for a cable lock, as shown and  
described.

**DESCRIPTION**

FIG. 1 is a perspective view illustrating the cable lock of my  
design;  
FIG. 2 is a perspective view thereof but showing the cable  
lock in an open position;  
FIG. 3 is a top view thereof;  
FIG. 4 is a left side view thereof;  
FIG. 5 is a bottom view thereof;  
FIG. 6 is a right side view thereof; and,  
FIG. 7 is a right end view thereof.

**1 Claim, 4 Drawing Sheets**



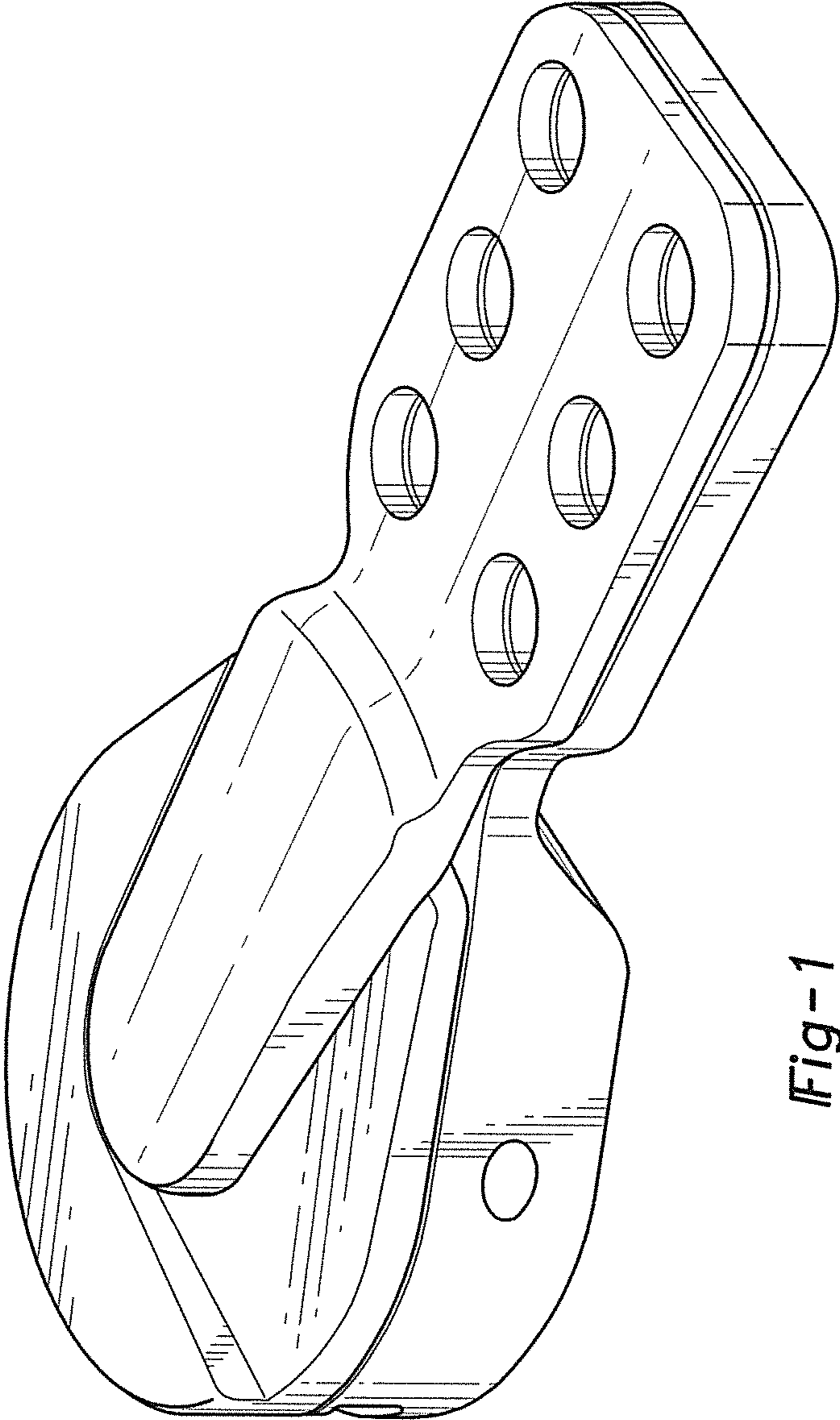


Fig-1

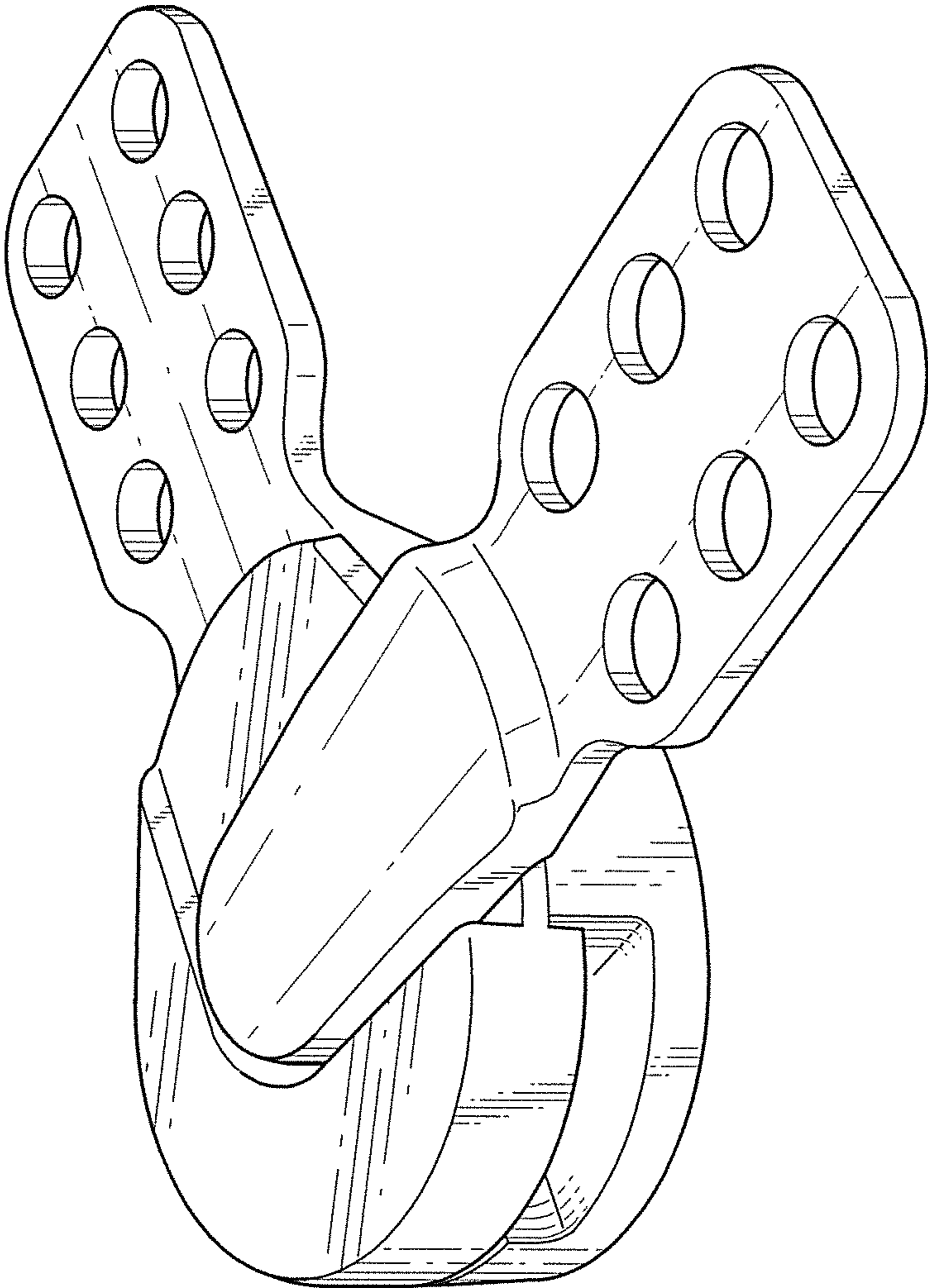


Fig-2

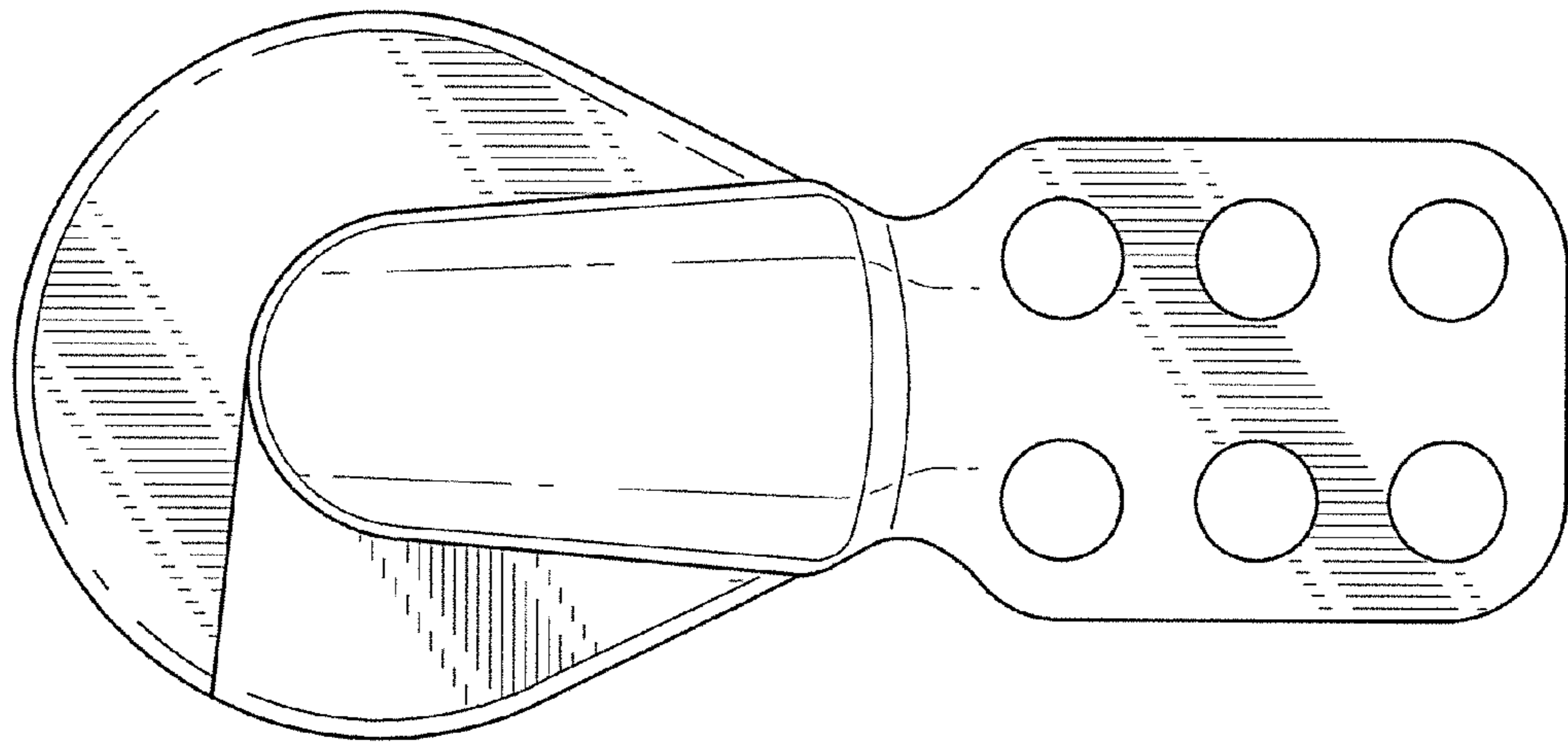


Fig-3

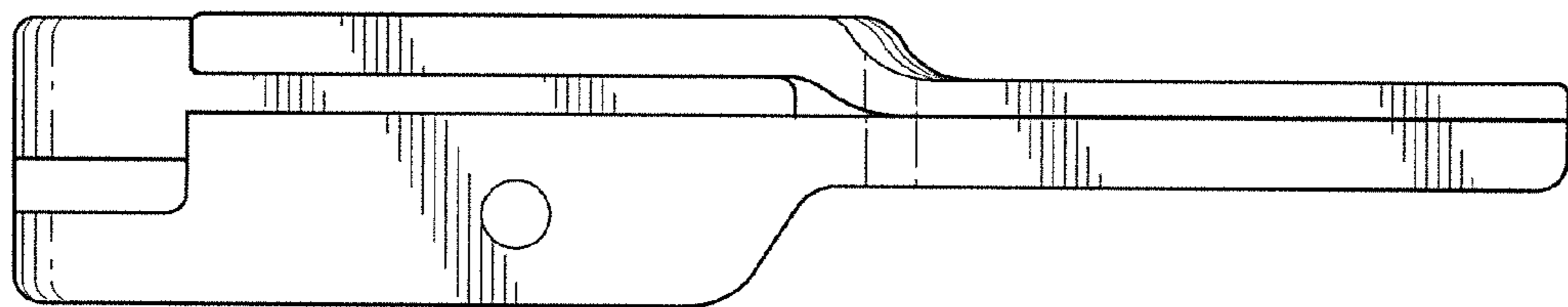


Fig-4

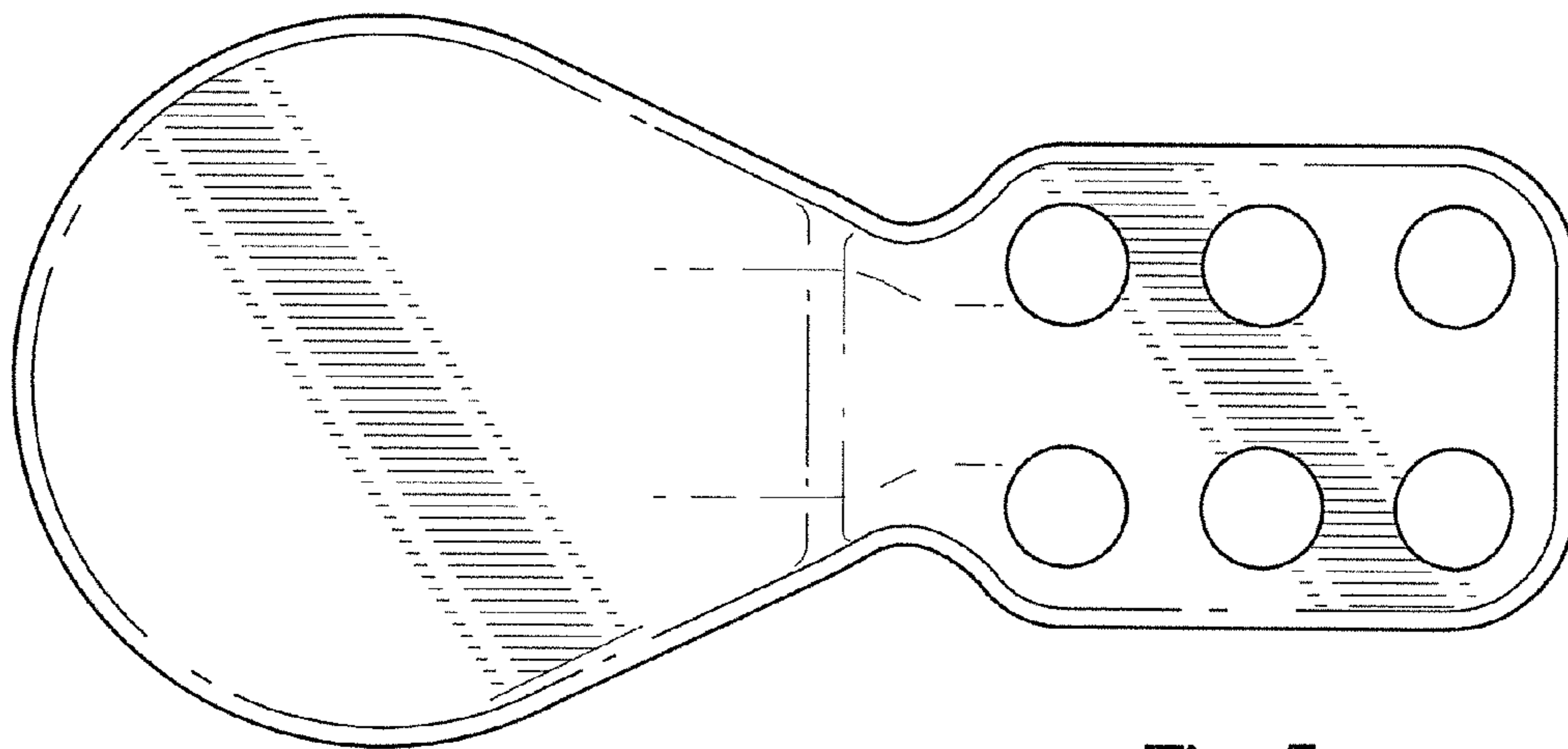


Fig-5

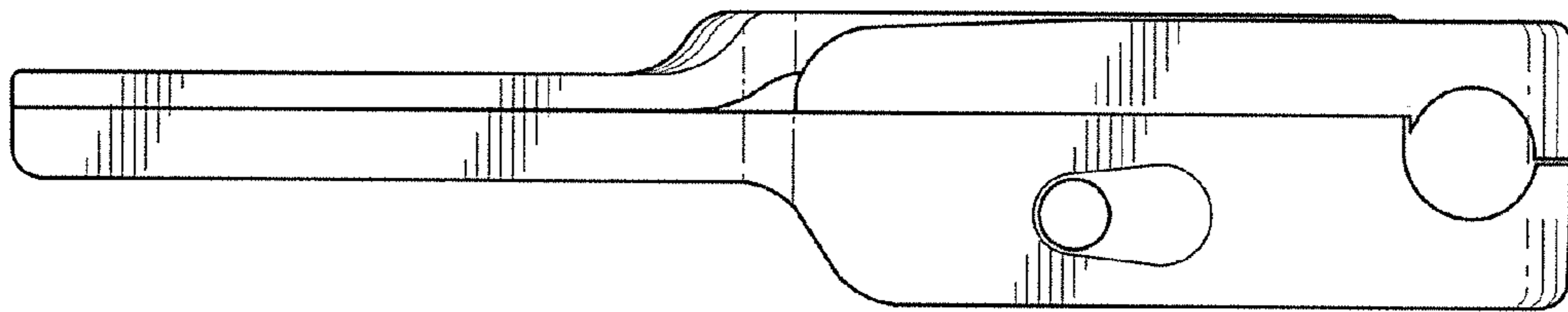


Fig-6

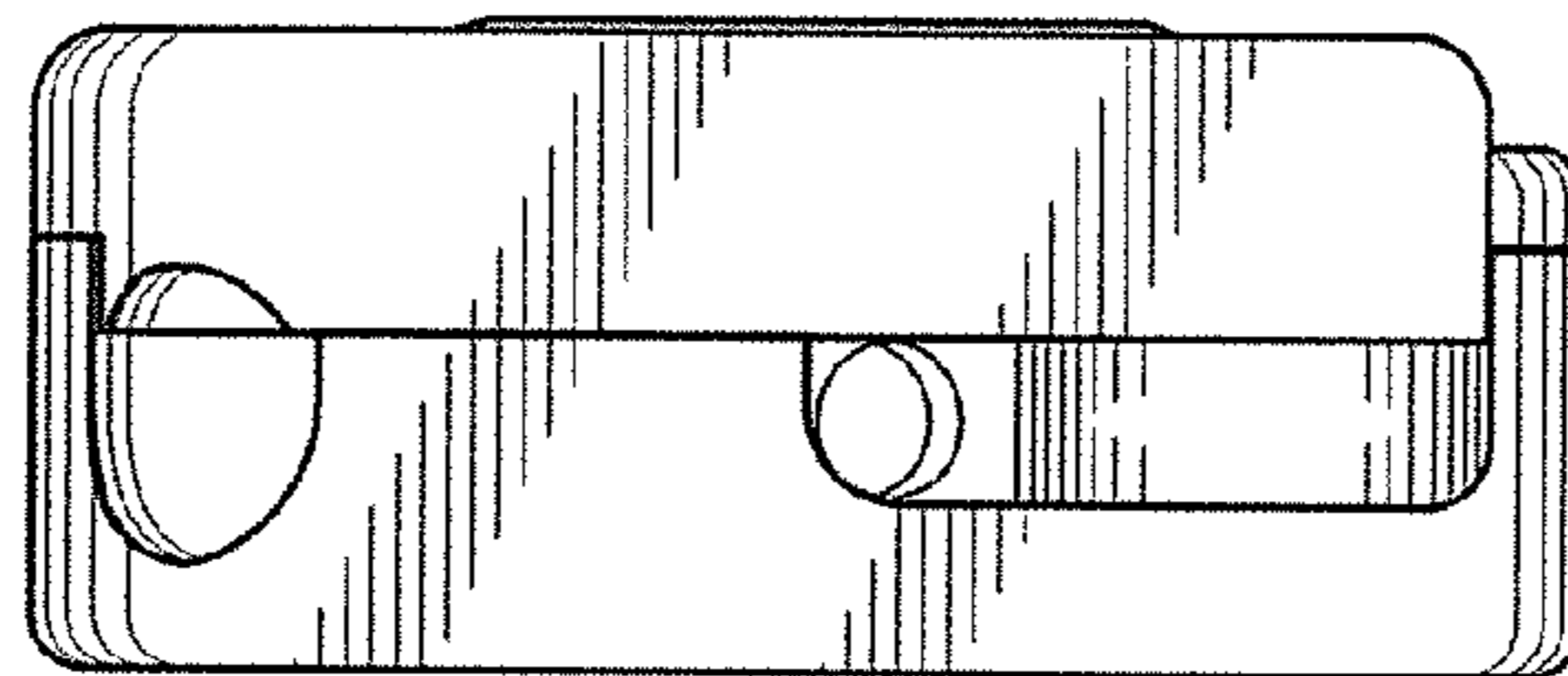


Fig-7