



US00D736057S

(12) **United States Design Patent**
Glickman et al.

(10) **Patent No.:** **US D736,057 S**

(45) **Date of Patent:** **** Aug. 11, 2015**

- (54) **WINDOW LATCH BOLT**
- (71) Applicants: **Joel I. Glickman**, Jupiter, FL (US);
Charles Rodgers, Langhorne, PA (US)
- (72) Inventors: **Joel I. Glickman**, Jupiter, FL (US);
Charles Rodgers, Langhorne, PA (US)
- (73) Assignee: **Rodon Limited Partnership**, Hatfield,
PA (US)

4,824,154 A	4/1989	Simpson	
4,901,475 A *	2/1990	Simpson	49/175
4,923,230 A	5/1990	Simpson	
5,121,951 A	6/1992	Harbom et al.	
5,139,291 A	8/1992	Schultz	
5,248,174 A	9/1993	Matz et al.	
D371,303 S	7/1996	Nielsen	
5,536,052 A	7/1996	Maier	
6,021,603 A	2/2000	Prete et al.	
6,364,375 B1	4/2002	Szapucki et al.	
RE37,916 E	12/2002	Szapucki et al.	
6,572,158 B2	6/2003	Szapucki et al.	

(**) Term: **14 Years**

(Continued)

(21) Appl. No.: **29/496,958**

(22) Filed: **Jul. 18, 2014**

OTHER PUBLICATIONS

Anderson Windows Parts—Double-Hung Window Opening Control Device; Retrieved via Internet on Sep. 11, 2013; URL http://parts.andersonwindows.com/detail_9021976_w_dh_ww_safety.html; 1 page.

(Continued)

Related U.S. Application Data

(62) Division of application No. 29/462,624, filed on Aug. 6, 2013, now Pat. No. Des. 712,234.

(51) **LOC (10) Cl.** **08-07**

(52) **U.S. Cl.**
USPC **D8/331; D8/343**

(58) **Field of Classification Search**
USPC D8/330, 331, 336, 339, 343, 349, 302, D8/354, 499; 70/14, 19, 51, 57, 57.1, 102, 70/107, 141, 142, 262, 266, 321, 320, 322, 70/431, 465, DIG. 80; 292/32, 63, 92, 137, 292/289, 290, 292, 358, 359, DIG. 29, 292/DIG. 68, 67, 202, 235, 153, 238; 16/86.1, 86.2
CPC E05C 1/00; E05C 1/08; E05C 1/12; E05C 3/00; E05C 3/02; E05C 3/06; E05C 3/12; E05C 3/14; E05C 5/00; E05C 21/00
See application file for complete search history.

Primary Examiner — Prabhakar Deshmukh

(74) *Attorney, Agent, or Firm* — St. Onge Steward Johnston & Reens LLC

(57) **CLAIM**

The ornamental design for a window latch bolt, as shown and described.

DESCRIPTION

FIG. 1 is a front perspective view of a window latch bolt showing our new design;
FIG. 2 is a top plan view thereof;
FIG. 3 is a bottom plan view of thereof;
FIG. 4 is a front elevational view thereof;
FIG. 5 is a back elevational view thereof; and,
FIG. 6 is an end elevational view thereof, as from the left hand end of FIG. 2.

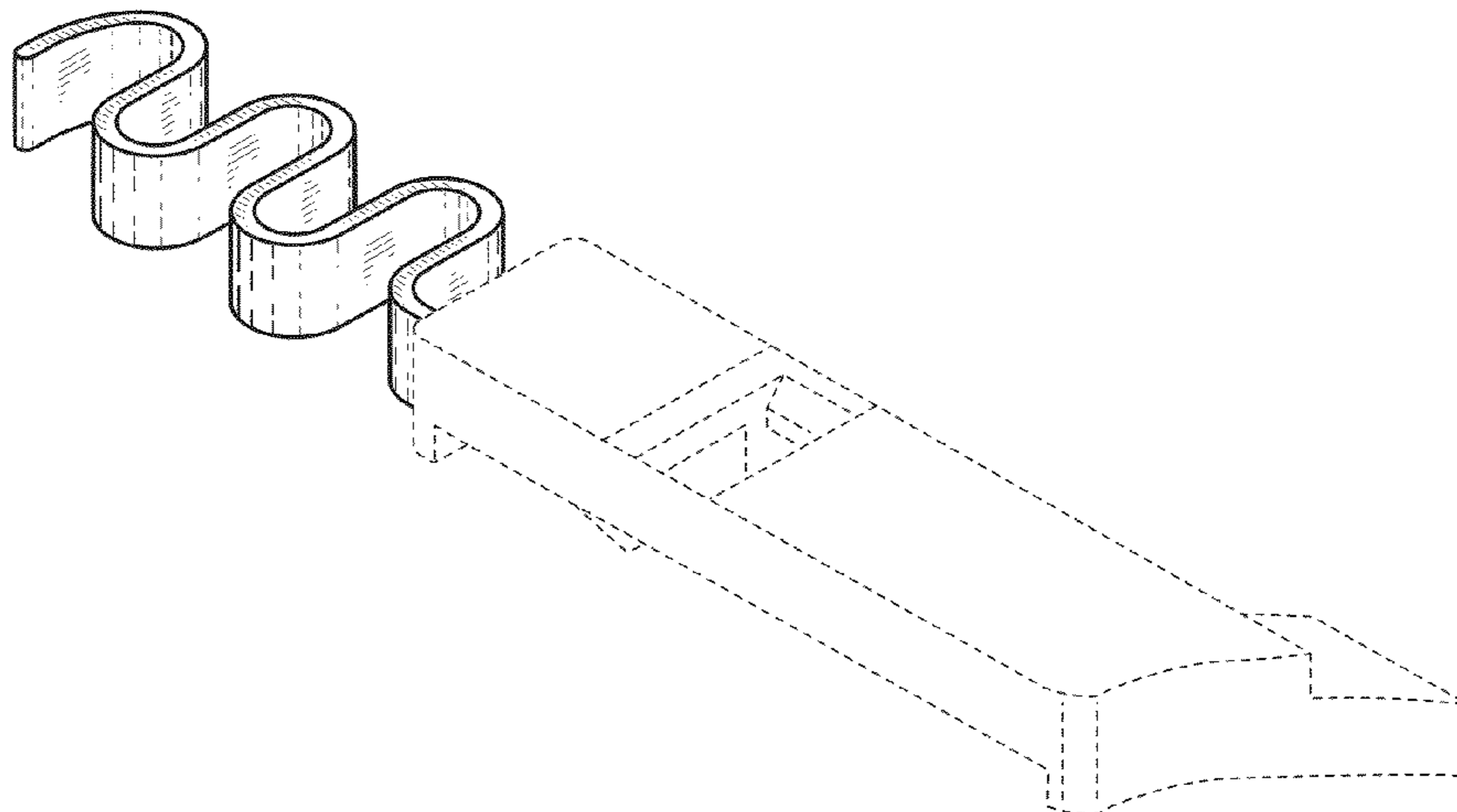
The broken lines shown in FIGS. 1-6 are for illustration purposes only and form no part of the claimed design.

(56) **References Cited**

U.S. PATENT DOCUMENTS

4,461,500 A 7/1984 van der Horst
D293,204 S * 12/1987 Trubiano D8/380

1 Claim, 3 Drawing Sheets



(56)

References Cited

OTHER PUBLICATIONS

U.S. PATENT DOCUMENTS

D499,008 S * 11/2004 Chang D8/370
6,969,824 B2 * 11/2005 Silvestro 219/133
7,070,211 B2 7/2006 Polowinczak et al.
7,530,611 B2 5/2009 Liang et al.
7,600,796 B2 10/2009 Liang et al.
7,607,262 B2 10/2009 Pettit et al.
7,637,544 B2 12/2009 Liang et al.
D609,551 S 2/2010 Gibbs
7,941,688 B2 5/2011 Sharma et al.
7,942,688 B2 * 5/2011 Ferderer et al. 439/372
8,061,082 B2 11/2011 Garries et al.
8,132,369 B2 3/2012 Pettit et al.
8,235,430 B2 8/2012 Liang et al.
D695,588 S 12/2013 Cantwell et al.

Ashland Online Catalog—SightLine Vent Lock With Universal Attachment; Retrieved via Internet on Sep. 10, 2013; URL <http://www.ashlandhardware.com/ashland-product-catalog/>; 1 page.
Ashland Online Catalog—SightLine Vent Stops With Universal Attachment; Retrieved via Internet on Sep. 10, 2013; URL <http://www.ashlandhardware.com/ashland-product-catalog/>; 1 page.
Ashland Online Catalog—SightLine Window Opening Control Device; Retrieved via Internet on Sep. 10, 2013; URL <http://www.ashlandhardware.com/ashland-product-catalog/>; 1 page.

* cited by examiner

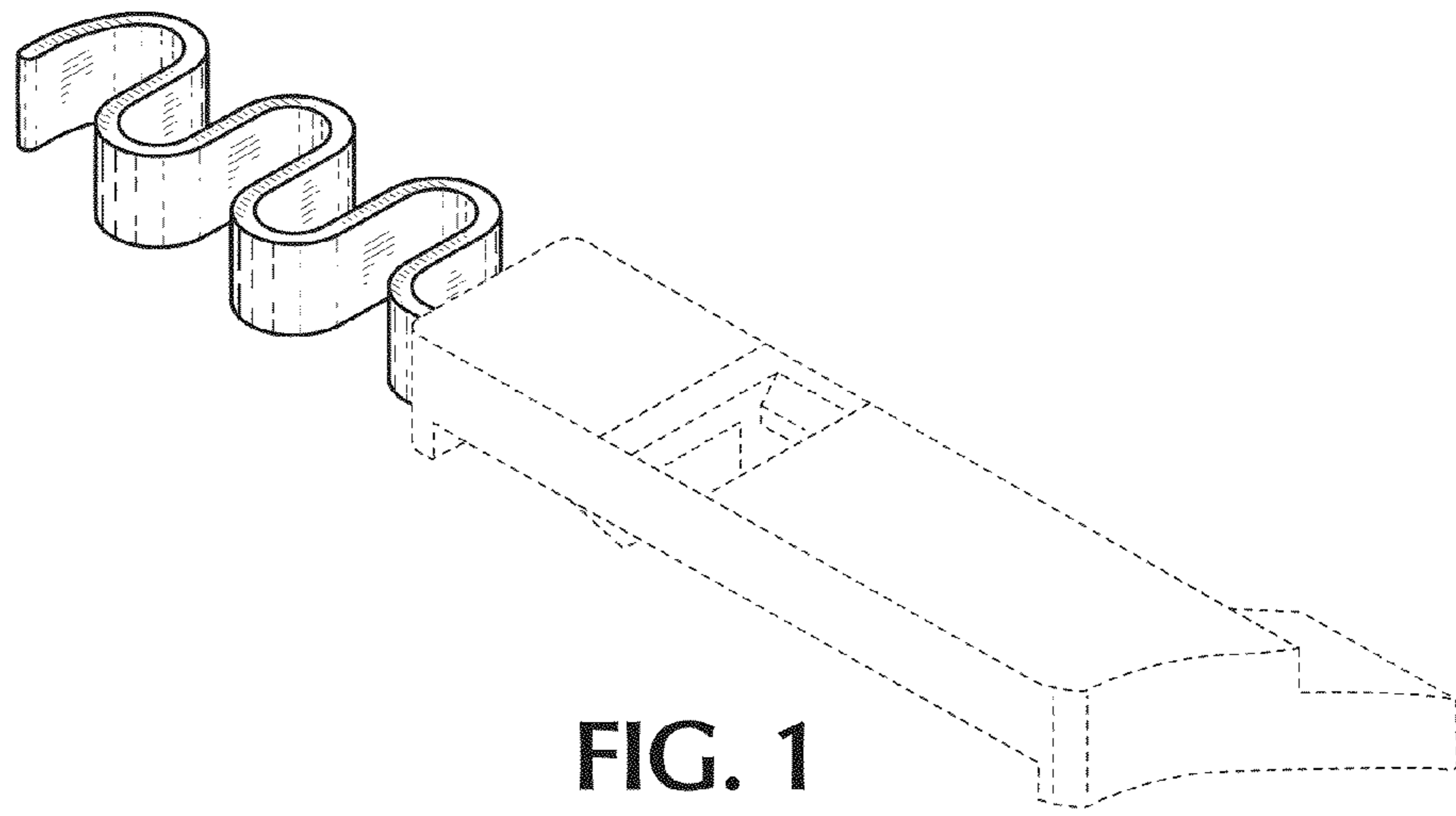


FIG. 1

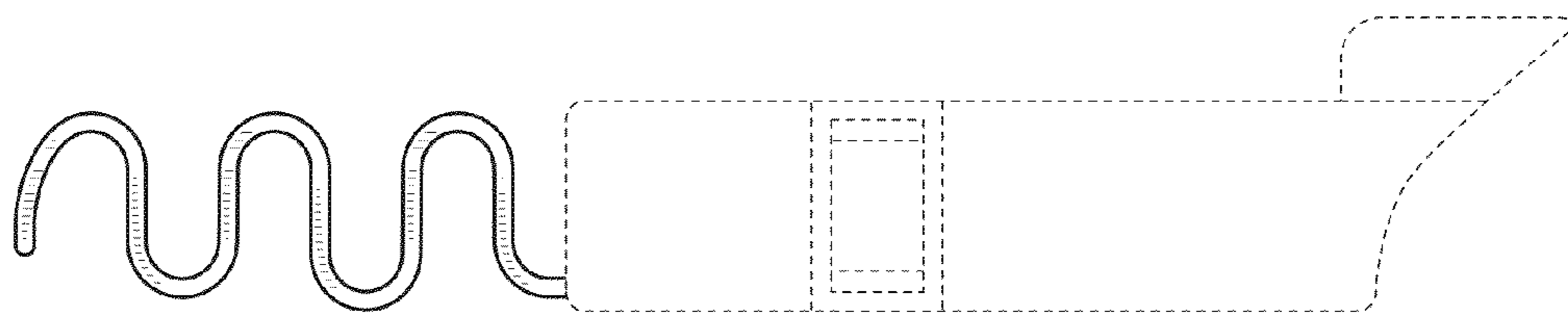


FIG. 2

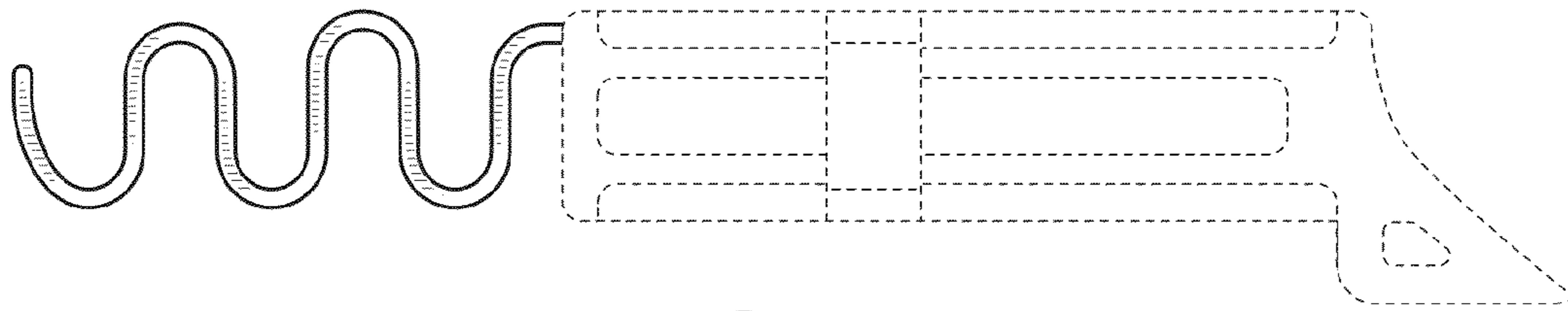


FIG. 3

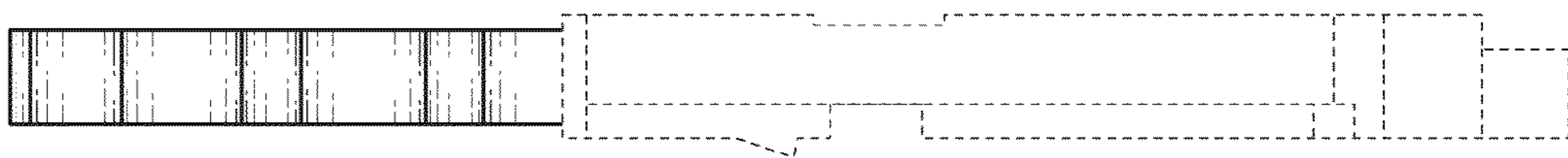


FIG. 4

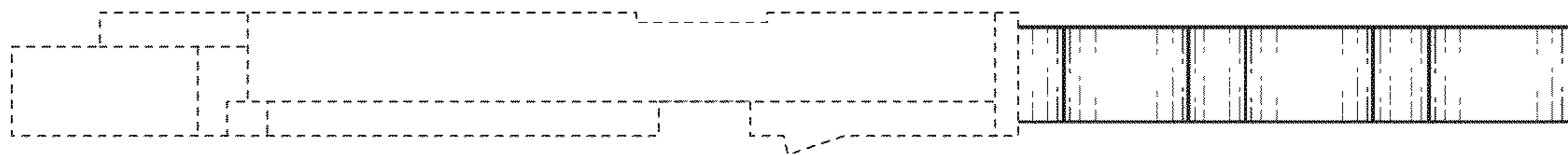


FIG. 5

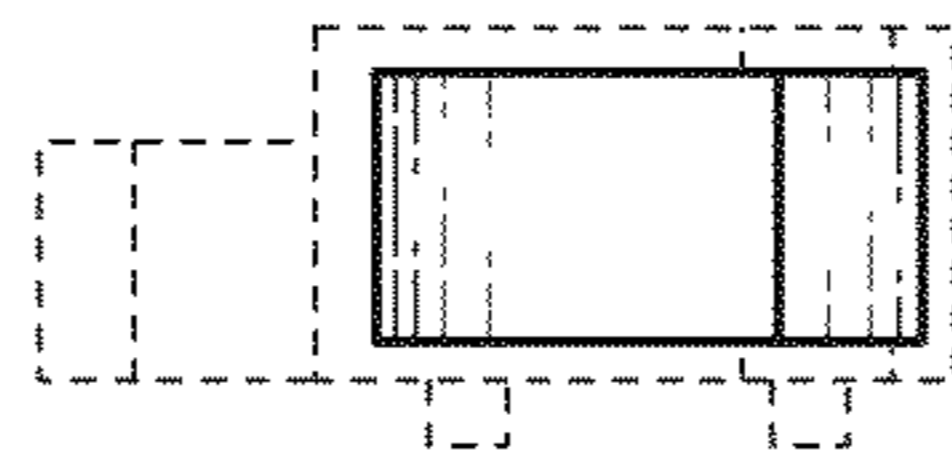


FIG. 6