



US00D736056S

(12) **United States Design Patent**
de Lima Castro

(10) **Patent No.:** **US D736,056 S**

(45) **Date of Patent:** **** Aug. 11, 2015**

(54) **SECURITY SEAL WITH IDENTIFICATION PLATE**

(71) Applicant: **ELC Produtos de Seguranca Industria e Comercio Ltda.,** Paraiba do Sul (BR)

(72) Inventor: **Andre de Lima Castro,** Rio de Janeiro (BR)

(73) Assignee: **ELC Produtos de Seguranca Indústria e Comércio Ltda.,** Paraiba do Sul, RJ (BR)

(**) Term: **14 Years**

(21) Appl. No.: **29/488,651**

(22) Filed: **Apr. 22, 2014**

(30) **Foreign Application Priority Data**

Nov. 1, 2013 (BR) 302013005593

(51) **LOC (10) Cl.** **08-07**

(52) **U.S. Cl.**
USPC **D8/331**

(58) **Field of Classification Search**
USPC D8/330, 331, 398, 394, 343, 499, 333;
70/57, 57.1, 426, 465, 466, 431, 419,
70/422, DIG. 26; 220/260, 265, 266, 277;
292/307 R, 307 A, 317, 320, 327
CPC G09F 3/03; G09F 3/08; G09F 3/18;
E05B 39/00

See application file for complete search history.

(56) **References Cited**

U.S. PATENT DOCUMENTS

D347,157 S *	5/1994	Brown	D8/333
5,378,030 A *	1/1995	Georgopoulos et al.	...	292/256.6
5,568,952 A *	10/1996	Ruegg	292/318
5,782,513 A *	7/1998	Nazzari	292/319
D457,417 S *	5/2002	De Lima Castro	D8/333
7,370,892 B2 *	5/2008	Collingham	292/329

7,472,933 B2 *	1/2009	Weedon et al.	292/307 A
D609,076 S *	2/2010	Stevenson et al.	D8/330
D677,556 S *	3/2013	Coco	D8/333
8,485,572 B2 *	7/2013	Nazzari	292/315
8,646,198 B2 *	2/2014	Atherton et al.	40/649
8,733,805 B2 *	5/2014	Nazzari	292/317

* cited by examiner

Primary Examiner — Prabhakar Deshmukh

(74) *Attorney, Agent, or Firm* — Alston & Bird LLP

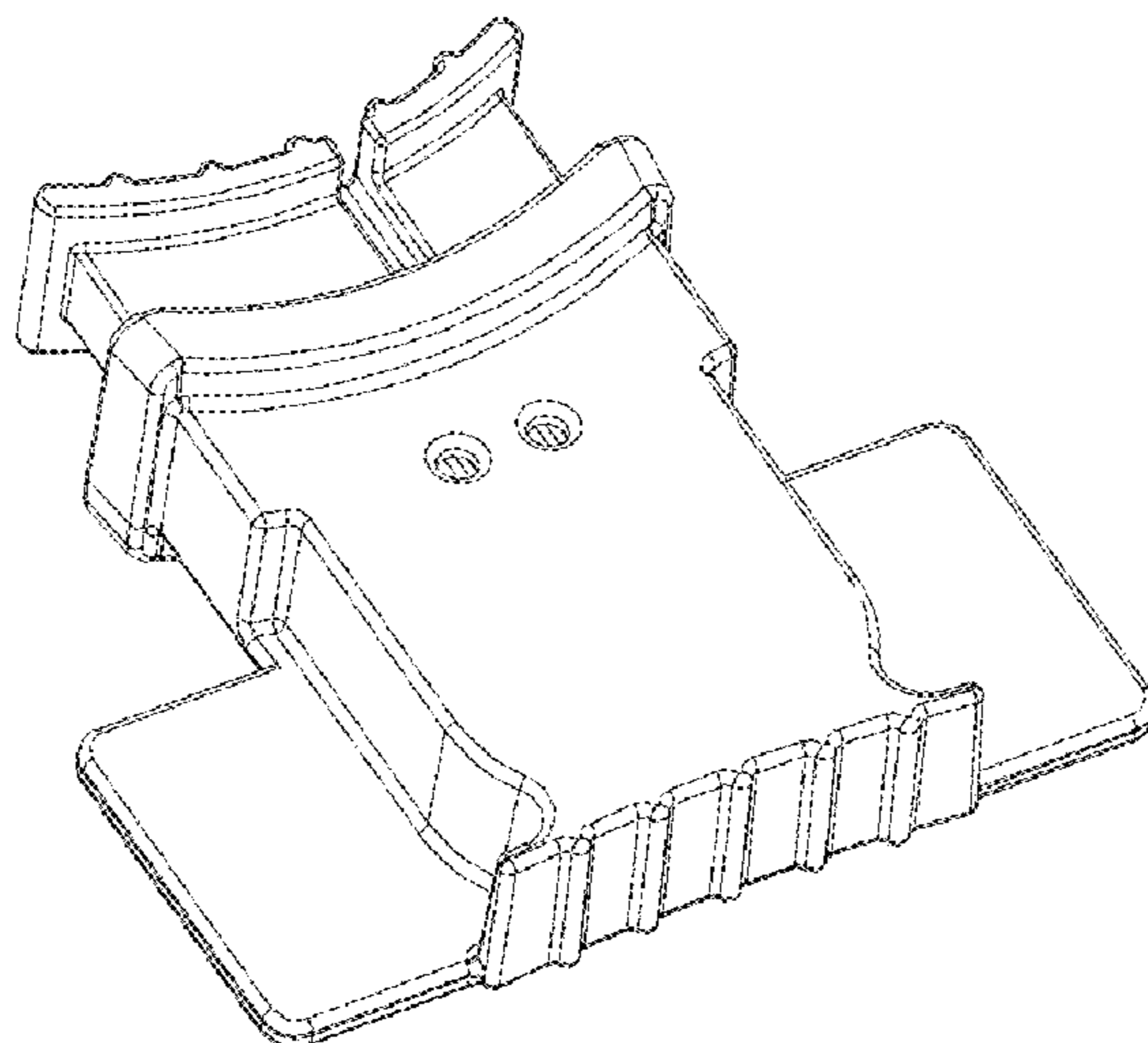
(57) **CLAIM**

The ornamental design for a security seal with identification plate, as shown and described.

DESCRIPTION

FIG. 1 is a perspective view of a security seal with identification plate showing my new design;
 FIG. 2 is a front elevational view thereof;
 FIG. 3 is a side elevational view thereof;
 FIG. 4 is a rear elevational view thereof;
 FIG. 5 is a top plan view thereof;
 FIG. 6 is a bottom plan view thereof;
 FIG. 7 is a bottom perspective thereof, shown in closed configuration;
 FIG. 8 is a top perspective view of FIG. 7;
 FIG. 9 is a front elevational view of FIG. 7;
 FIG. 10 is a side elevational view of FIG. 7;
 FIG. 11 is a rear elevational view thereof;
 FIG. 12 is a top plan view of FIG. 7;
 FIG. 13 is a bottom plan view of FIG. 7;
 FIG. 14 is a perspective view of a second embodiment of a security seal with identification plate;
 FIG. 15 is a top perspective view of FIG. 13;
 FIG. 16 is a front elevational view of FIG. 13;
 FIG. 17 is a rear elevational view of FIG. 13;
 FIG. 18 is a top plan view of FIG. 13;
 FIG. 19 is a bottom plan view of FIG. 13;
 FIG. 20 is a left side elevational view thereof; and,
 FIG. 21 is a right side elevational view thereof.

1 Claim, 3 Drawing Sheets



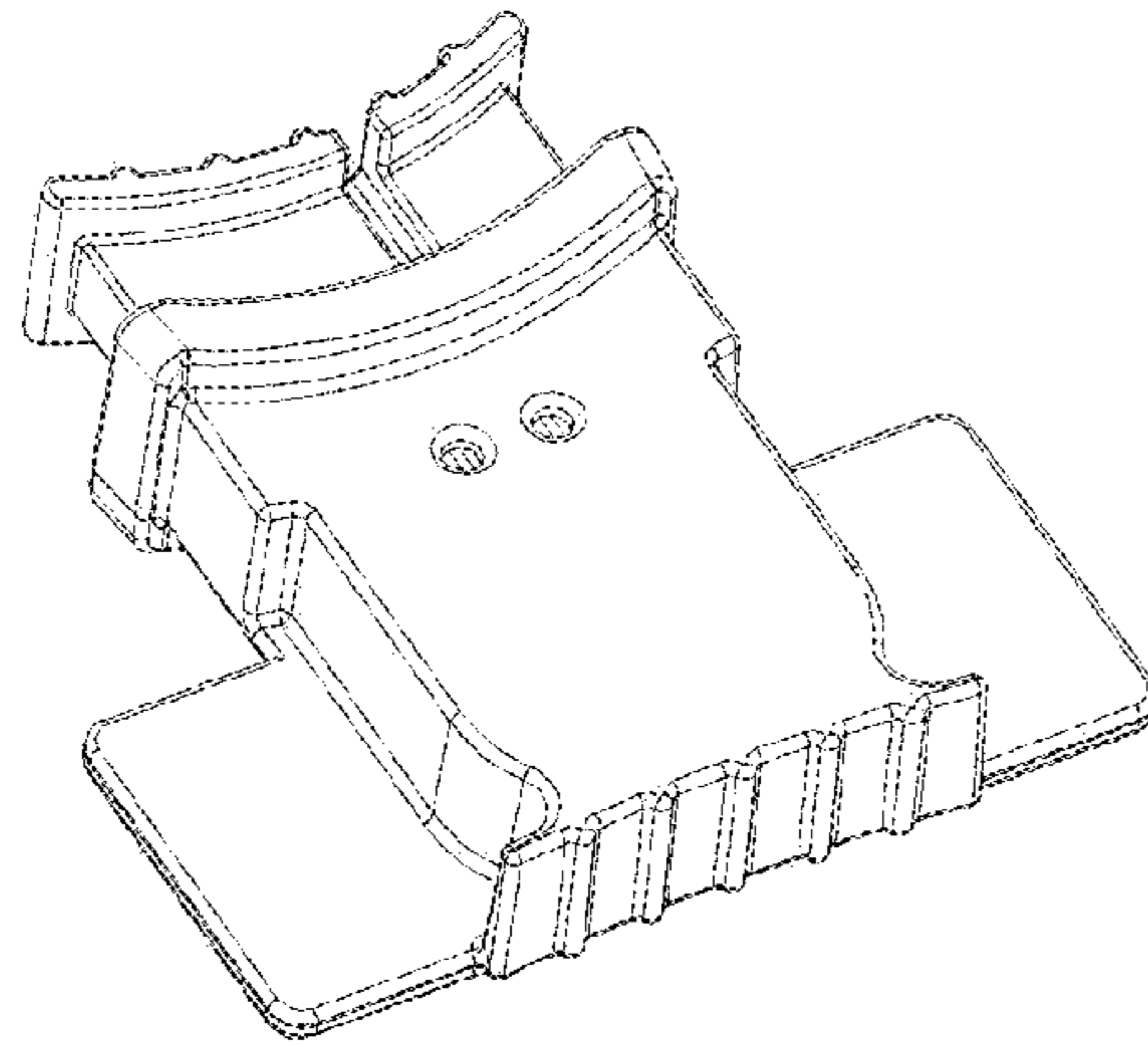


FIG. 1

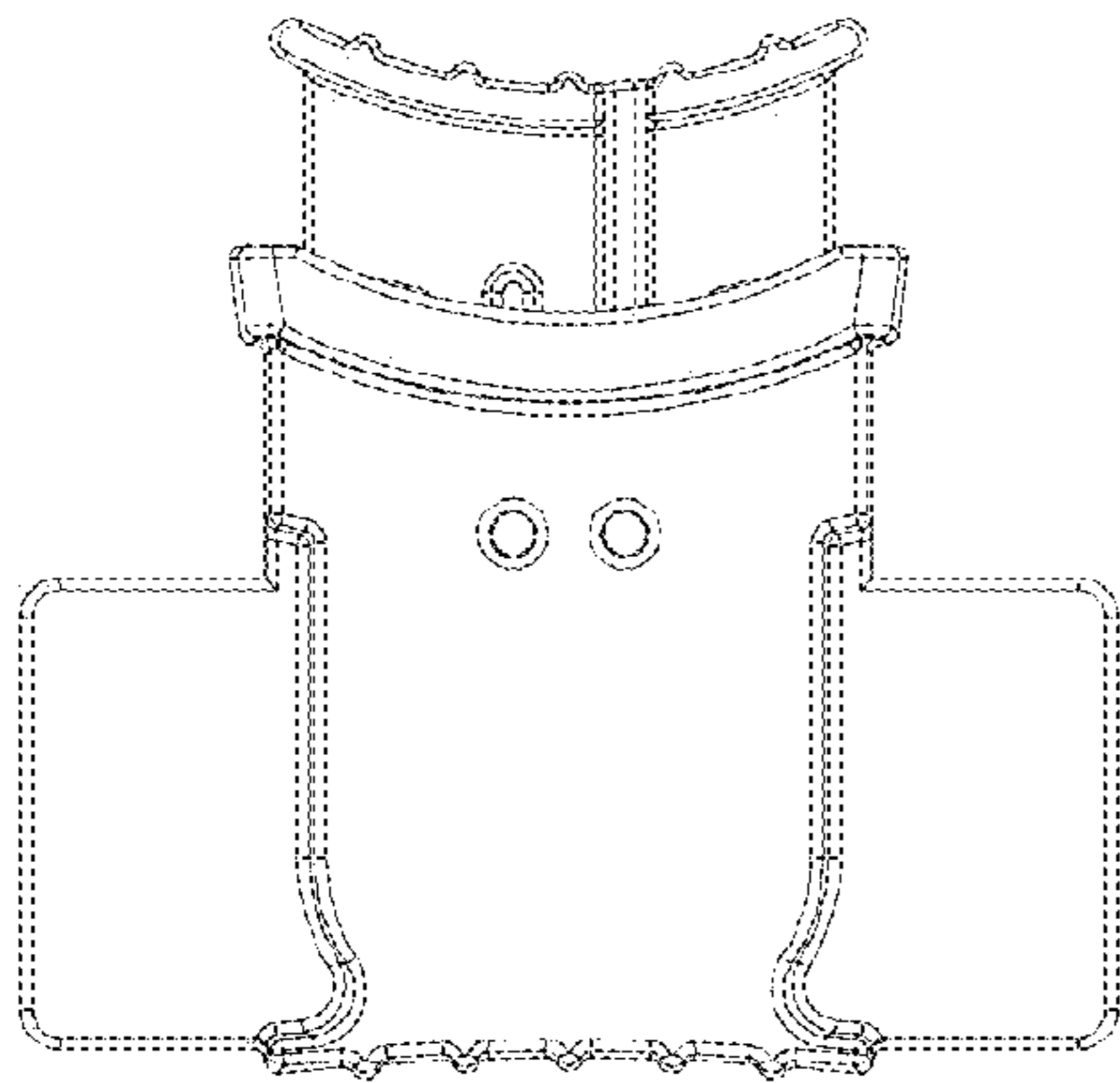


FIG. 2

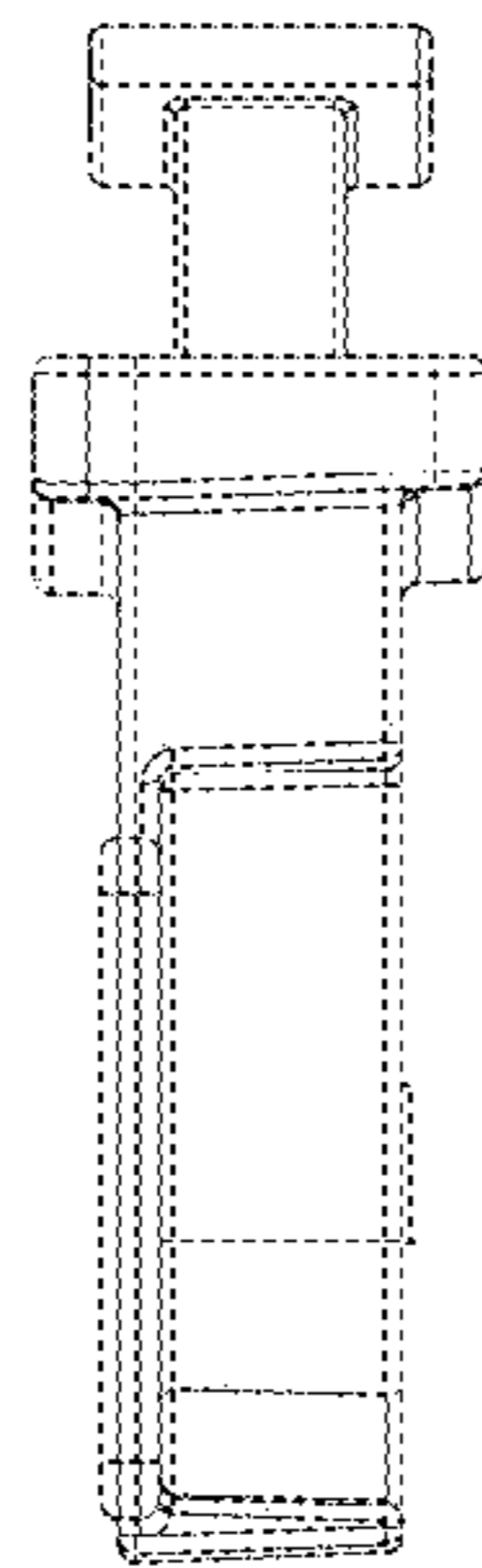


FIG. 3

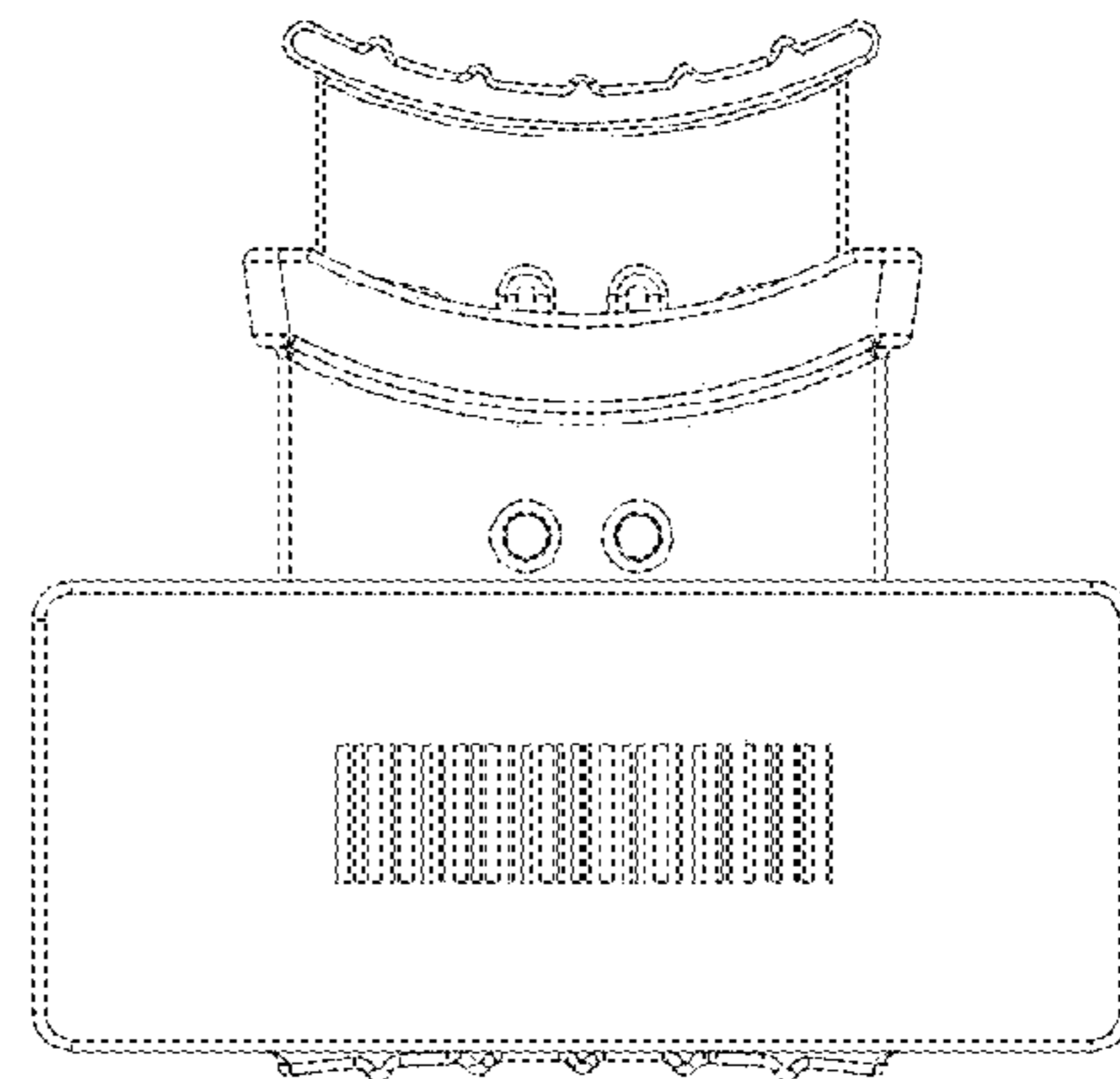


FIG. 4

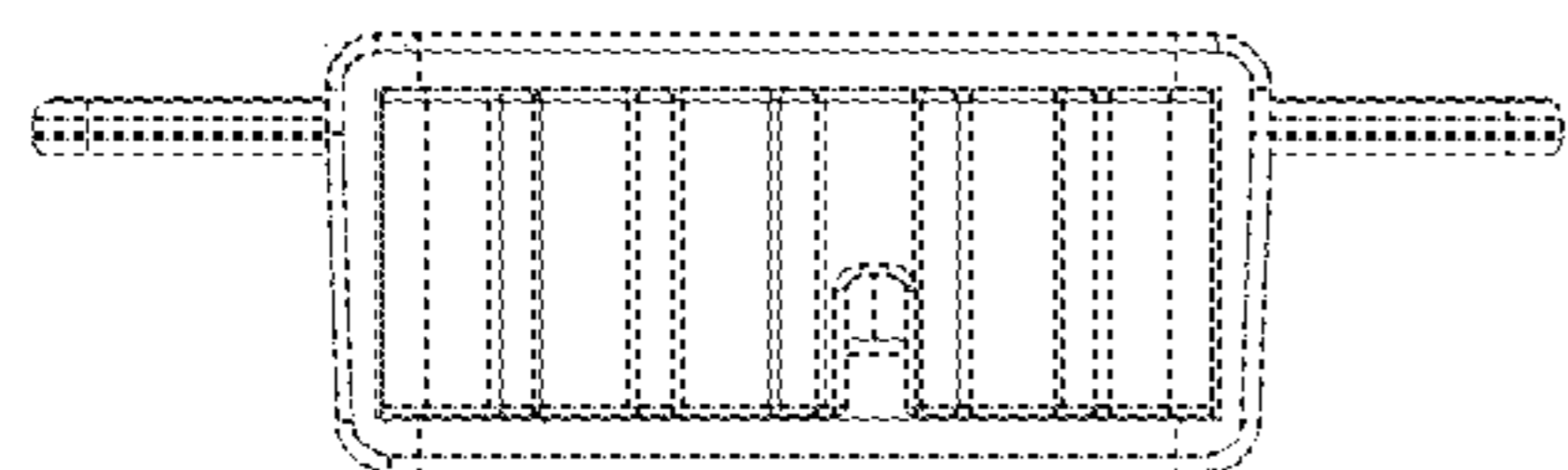


FIG. 5

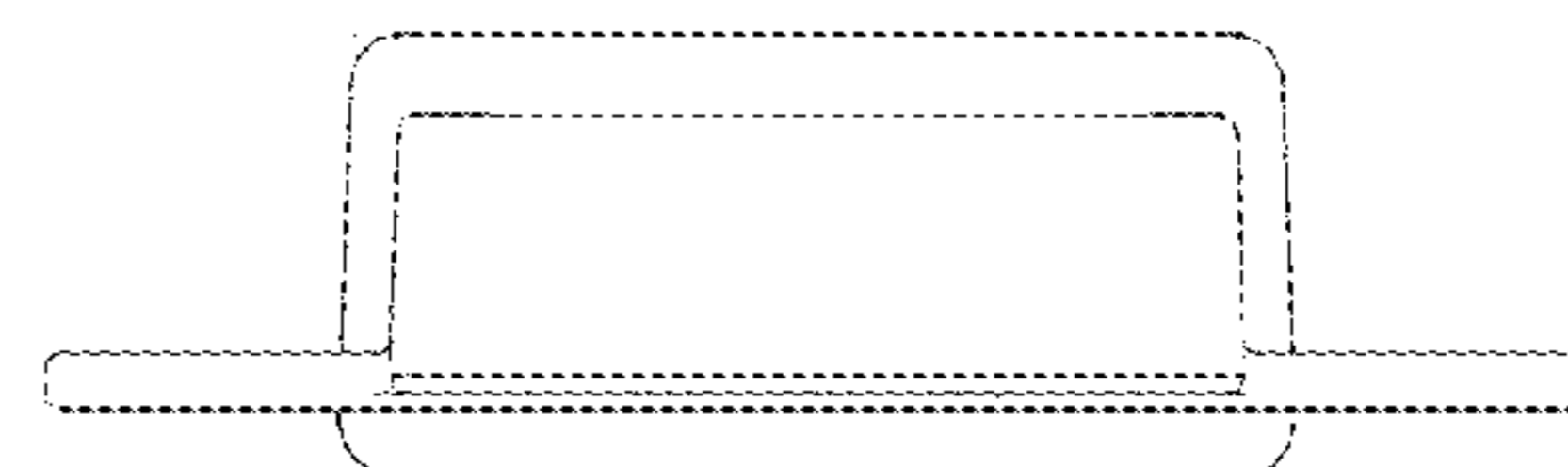


FIG. 6

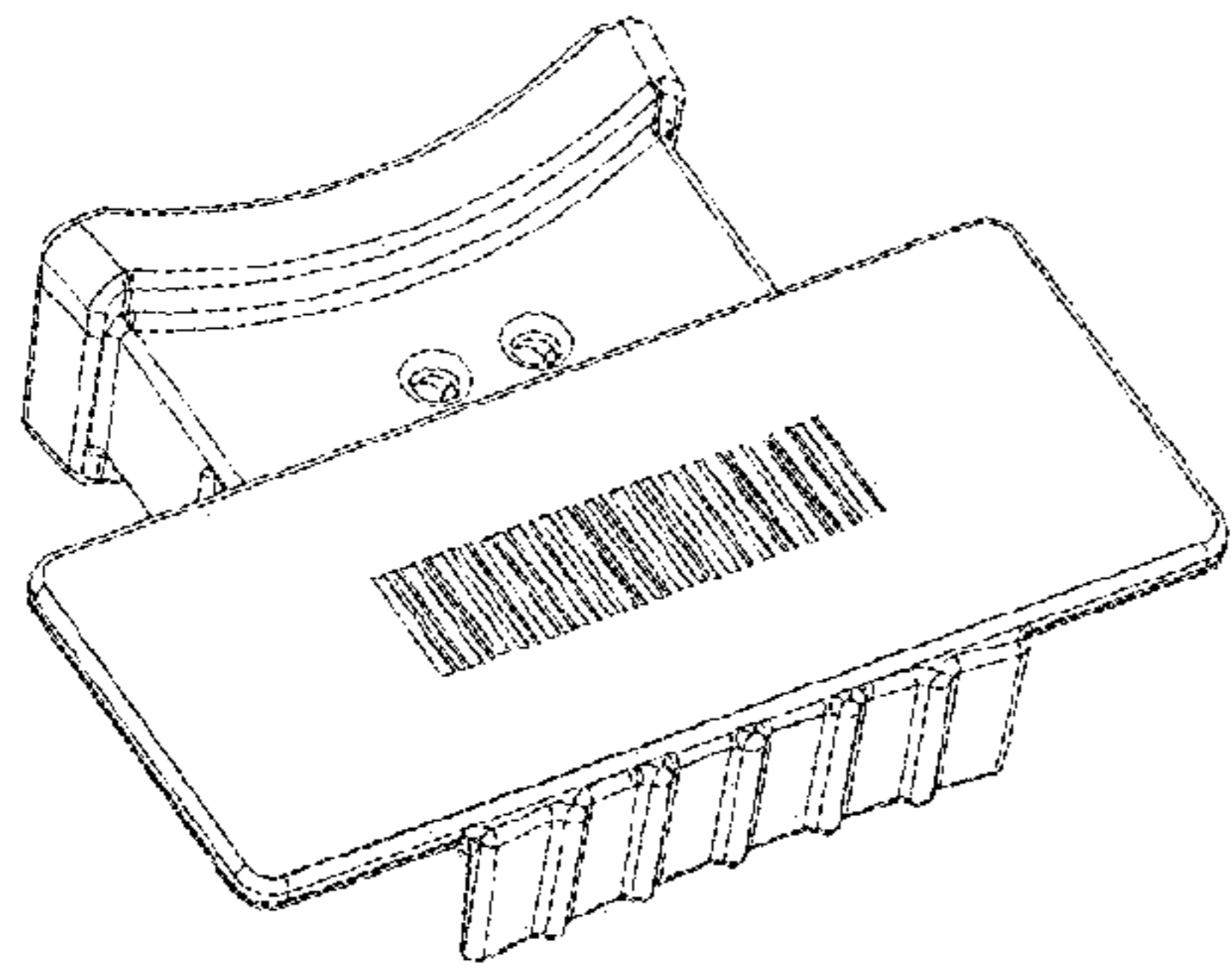


FIG. 7

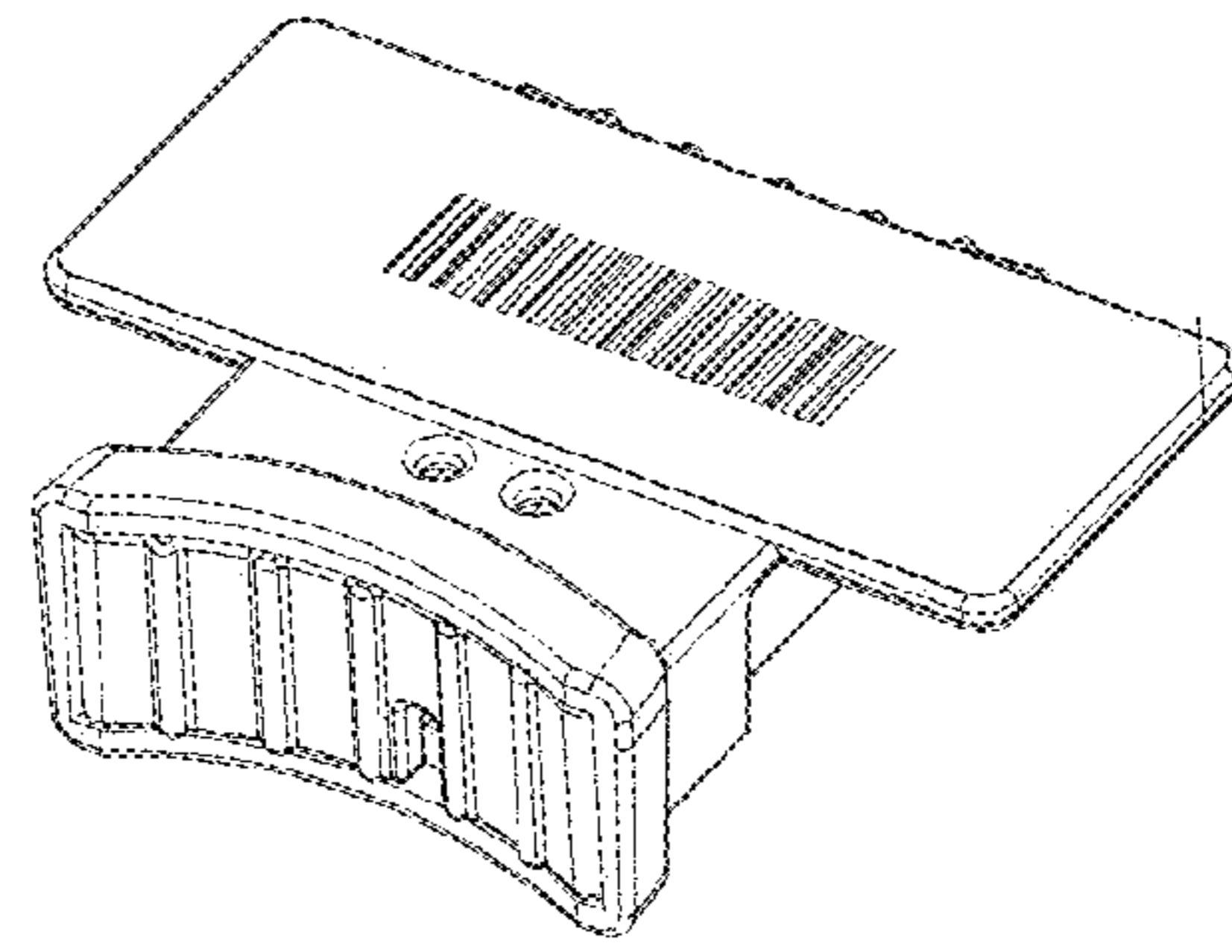


FIG. 8

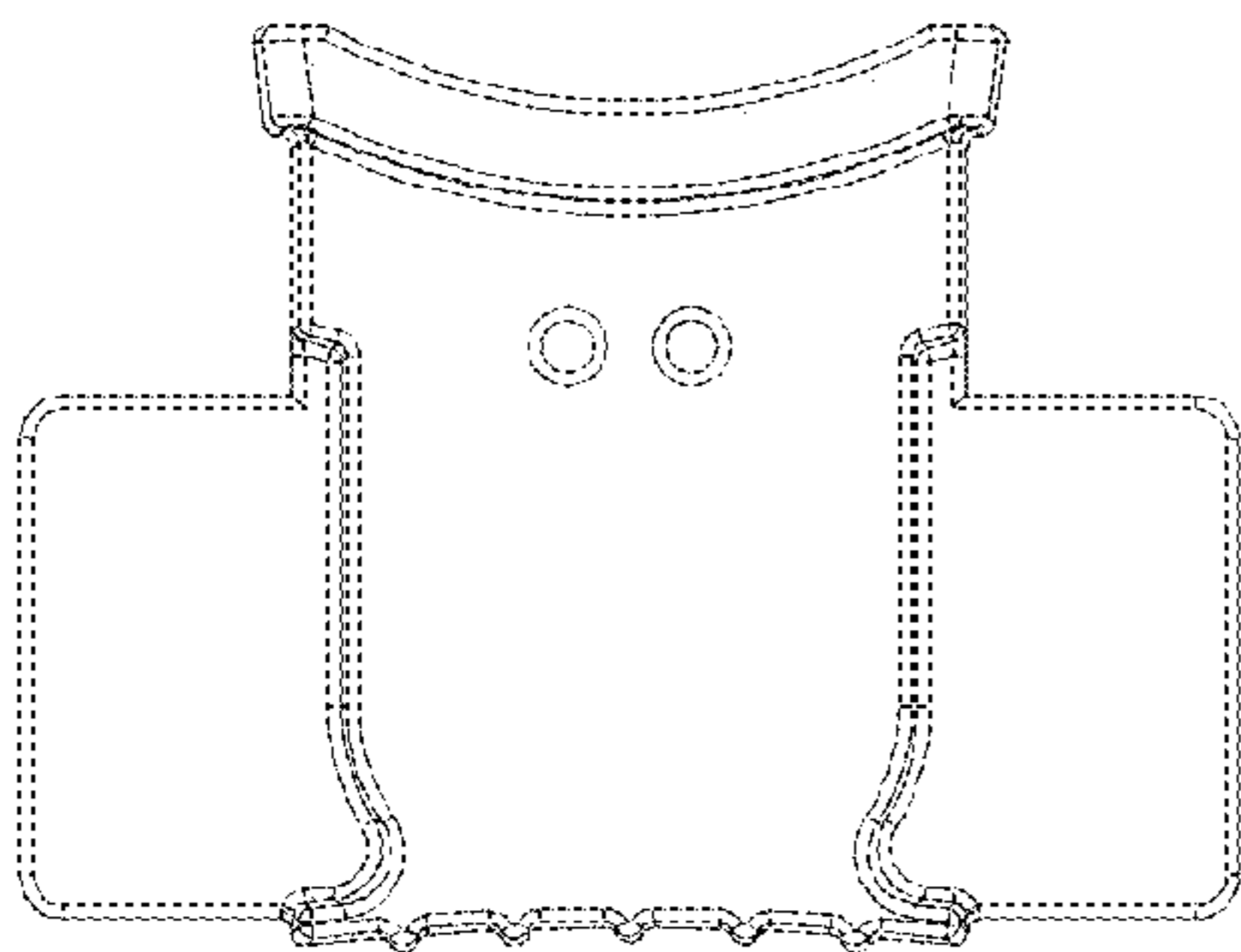


FIG. 9

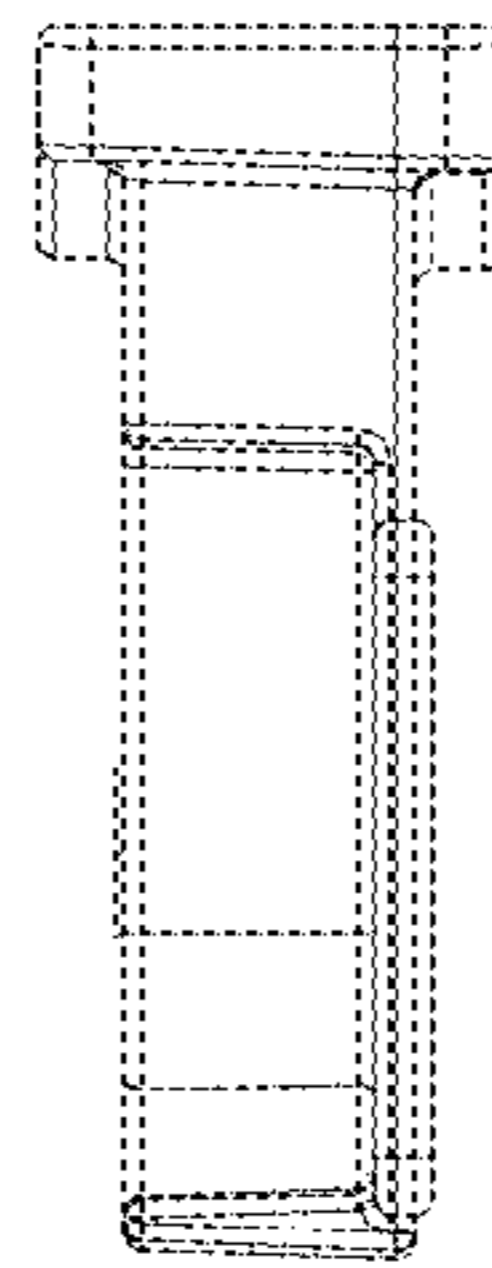


FIG. 10

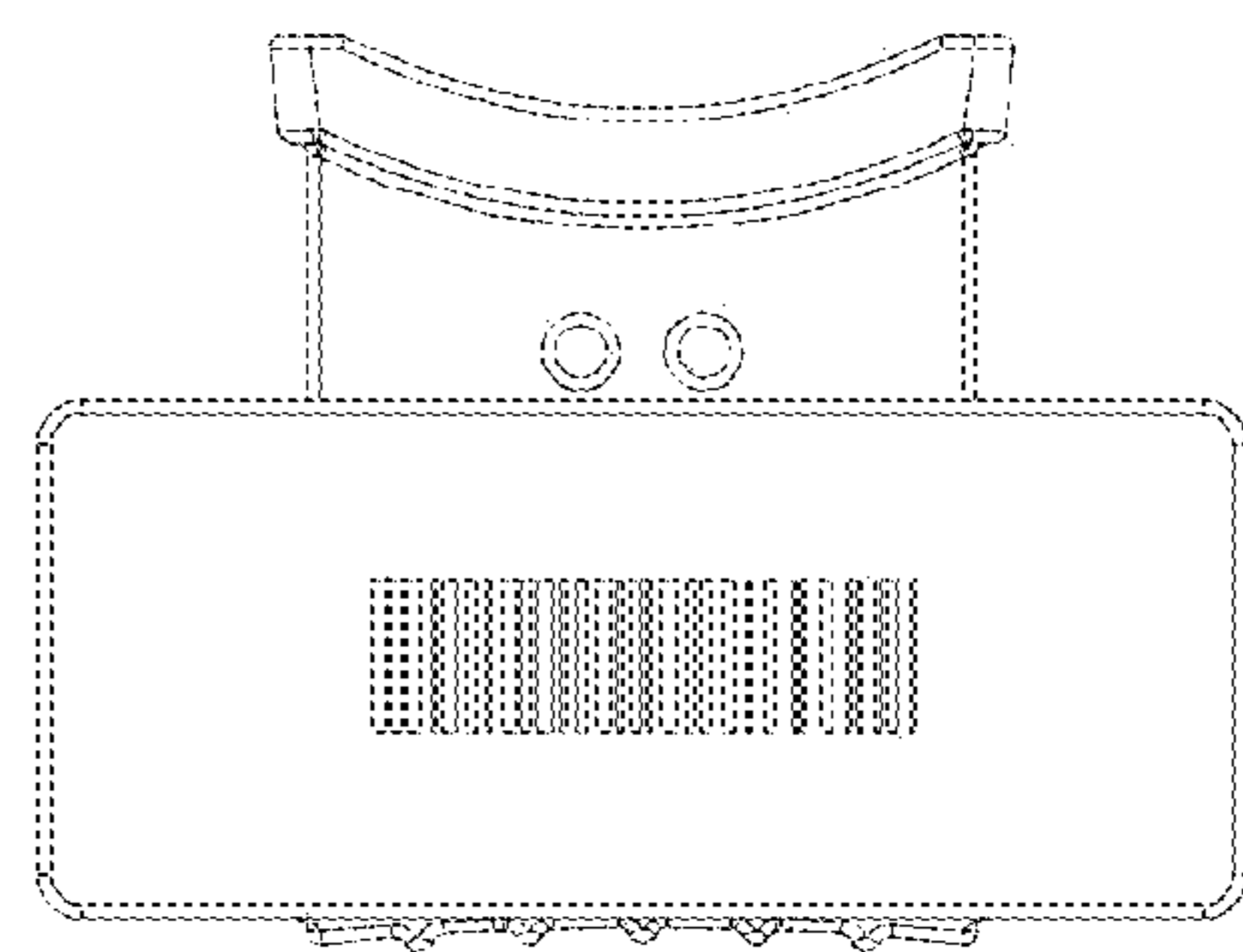


FIG. 11

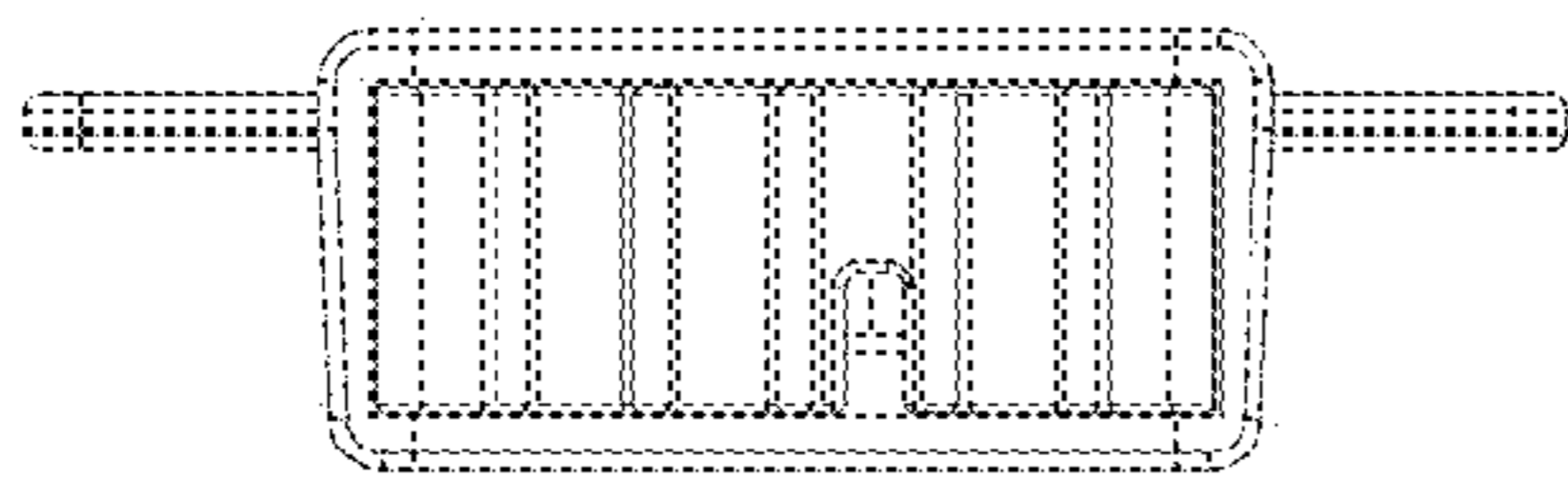


FIG. 12

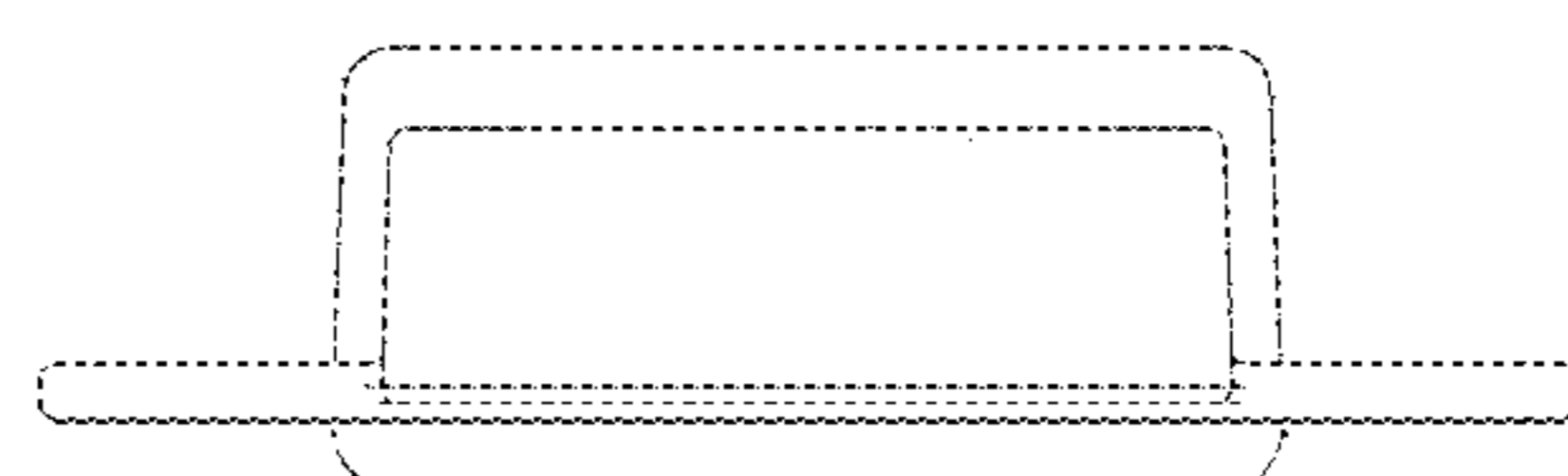


FIG. 13

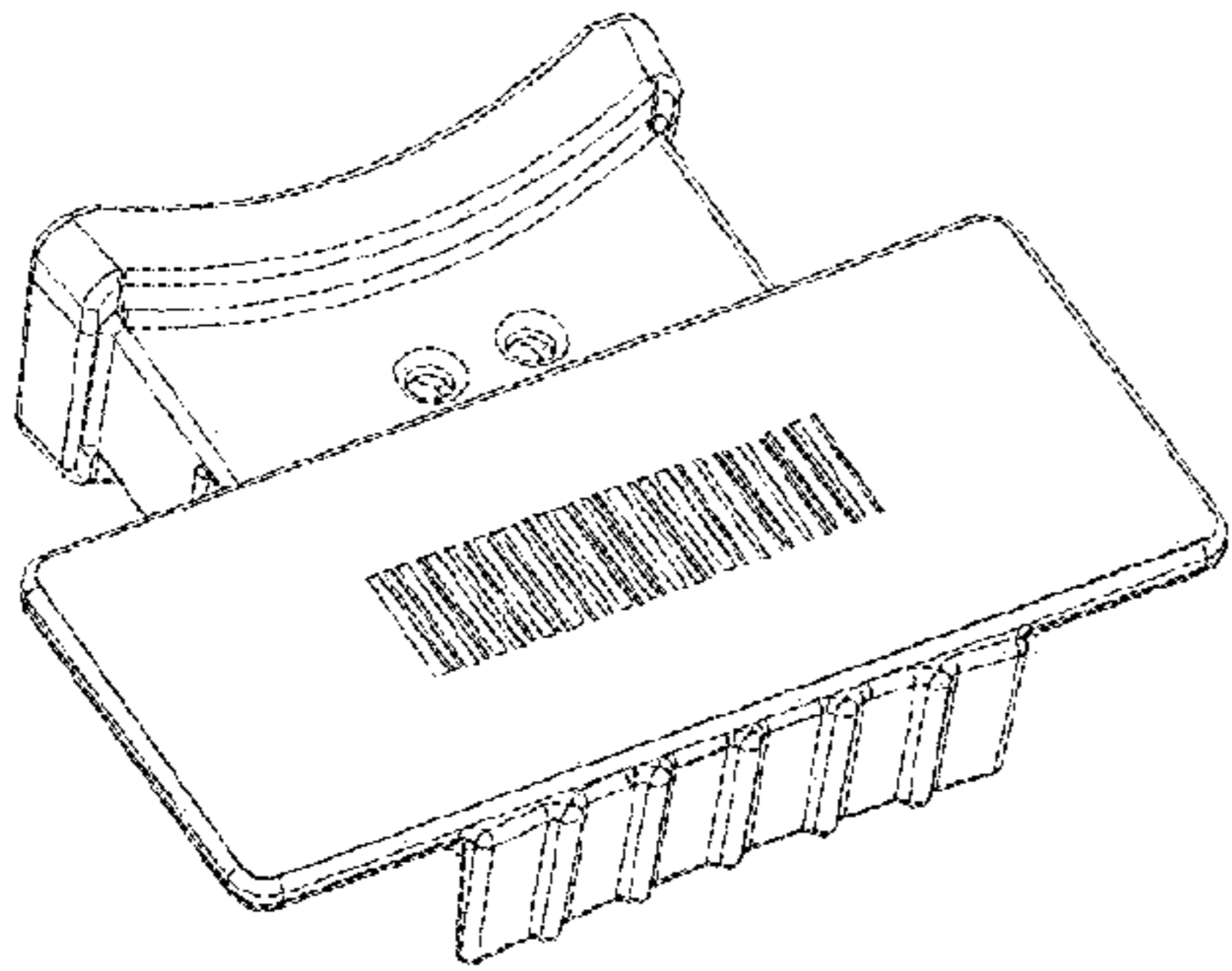


FIG. 14

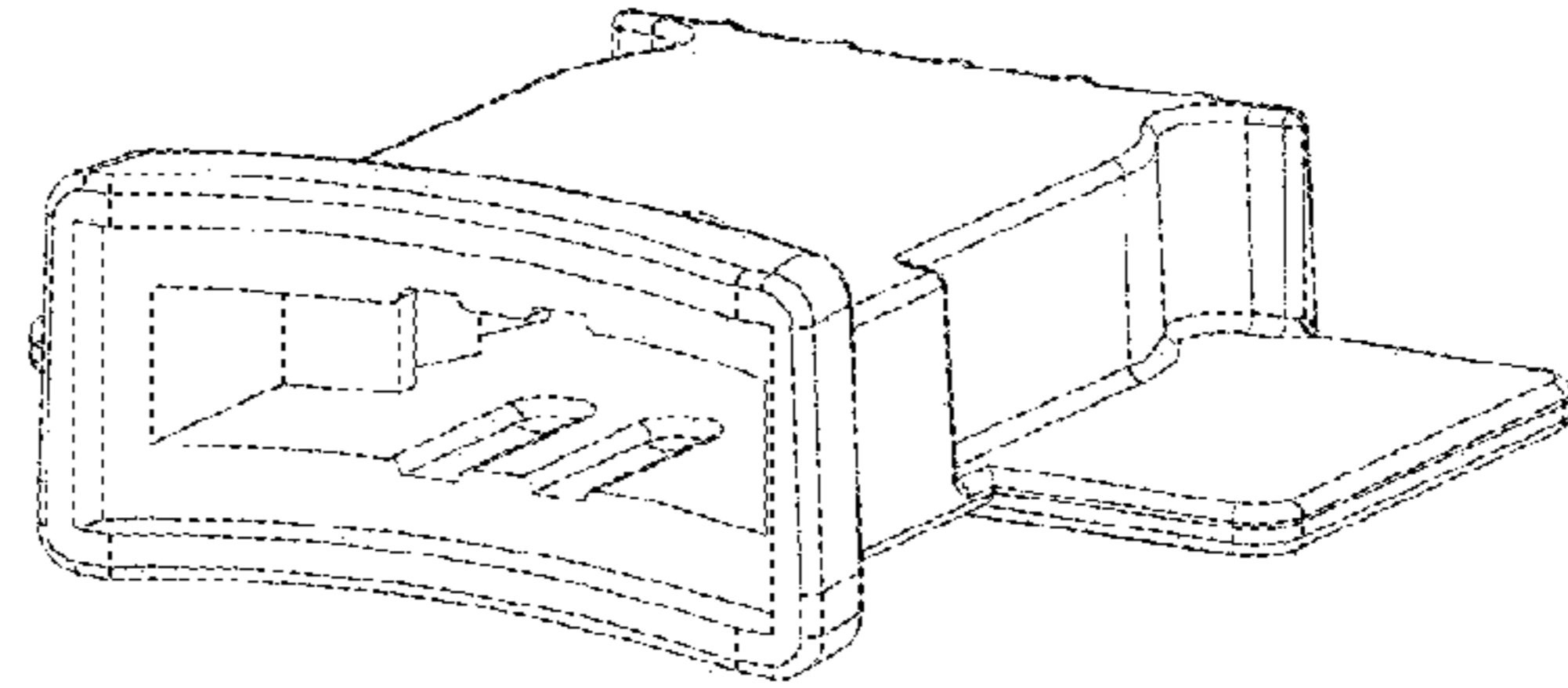


FIG. 15

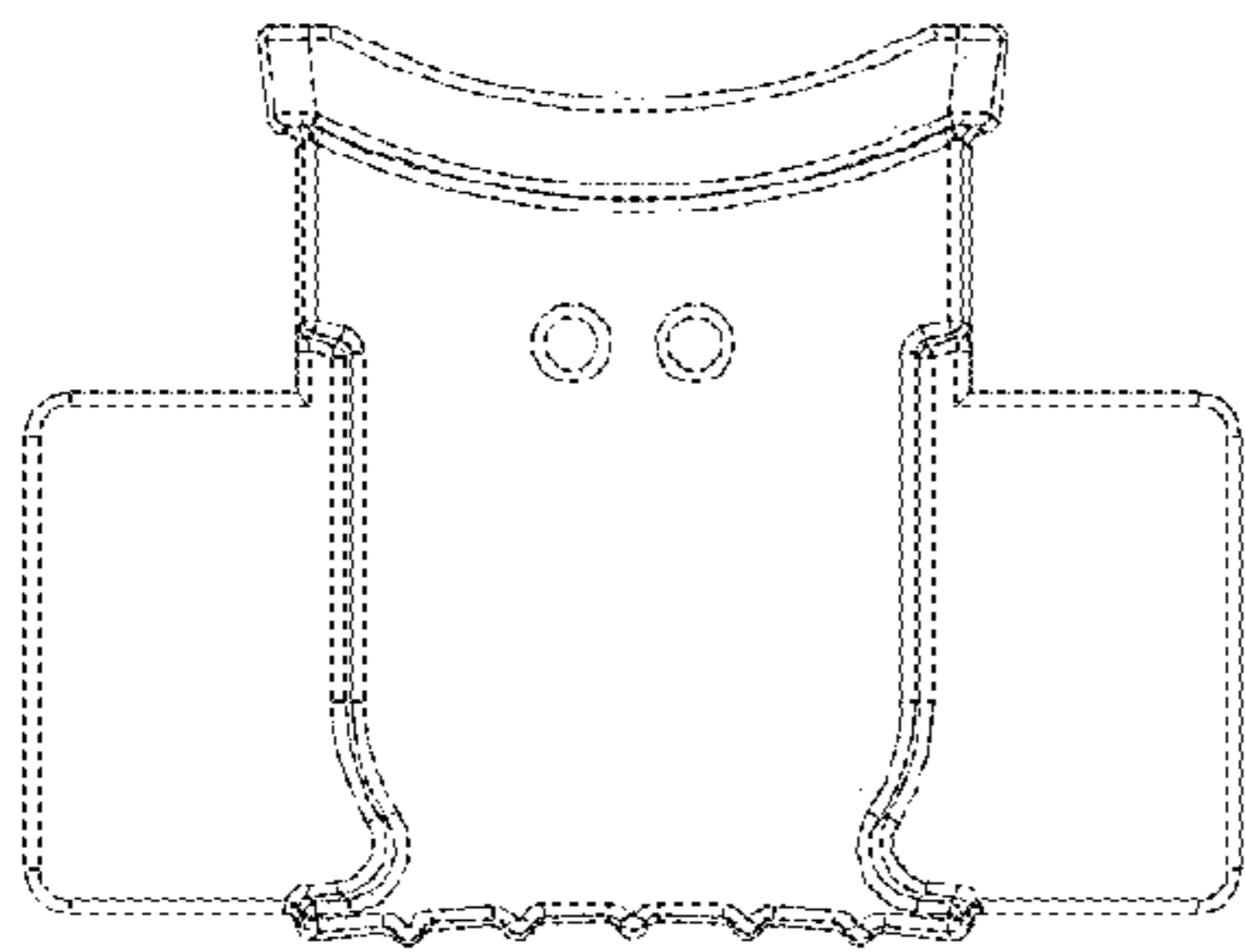


FIG. 16

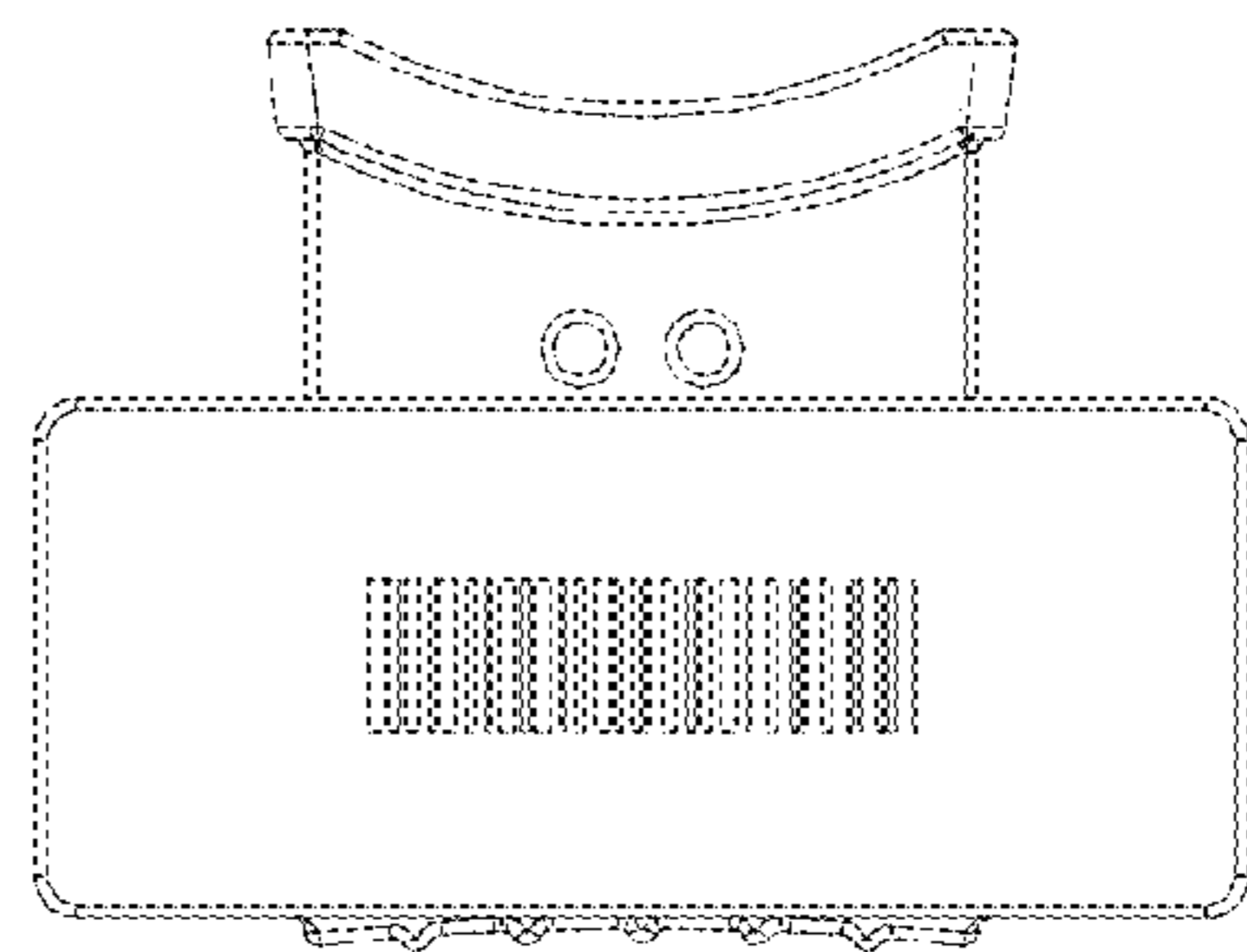


FIG. 17

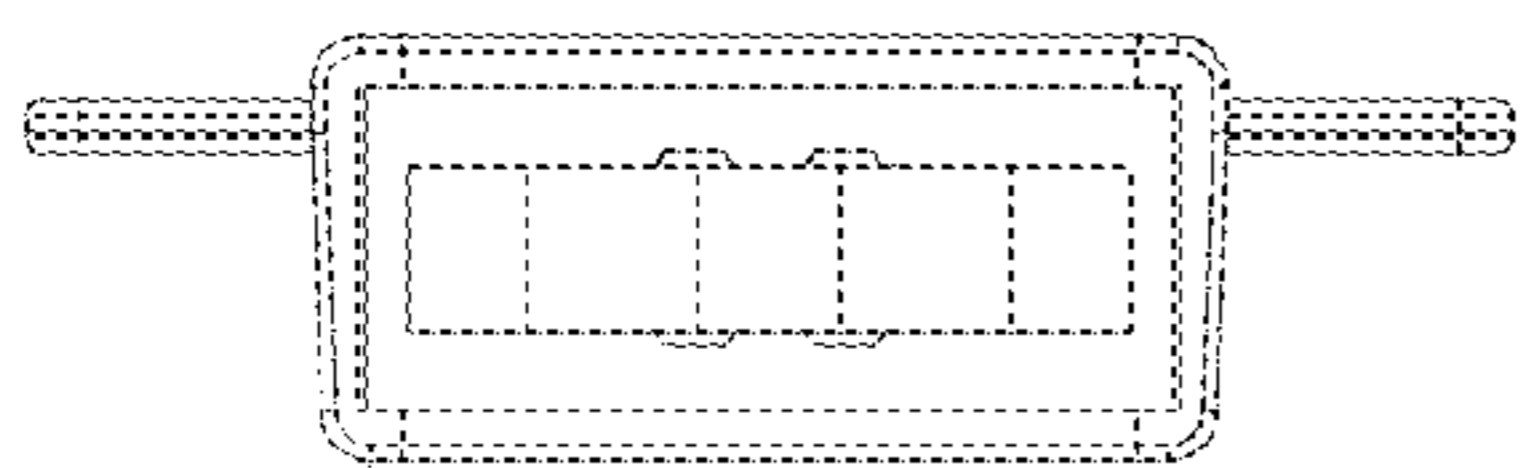


FIG. 18

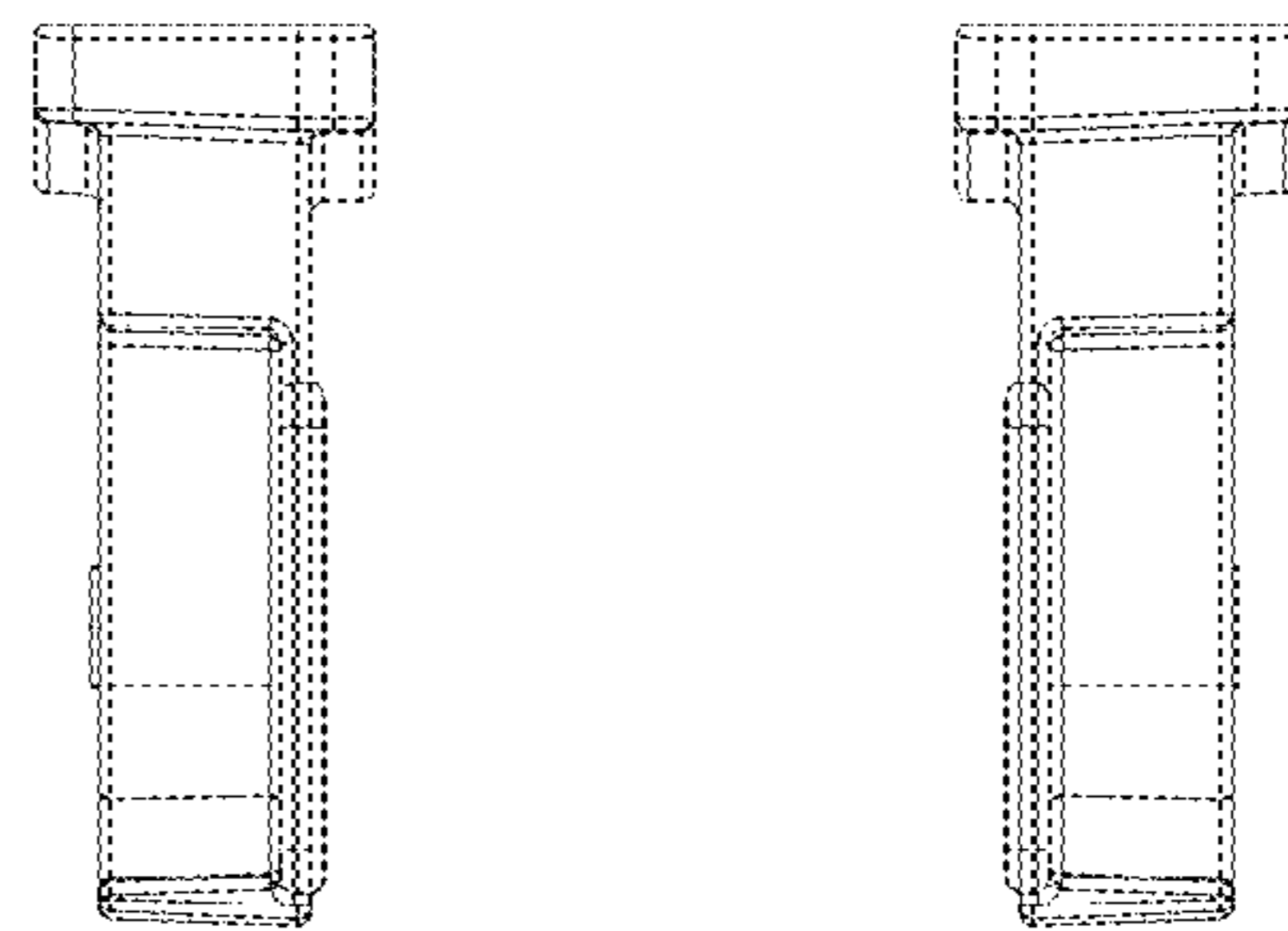


FIG. 20

FIG. 21

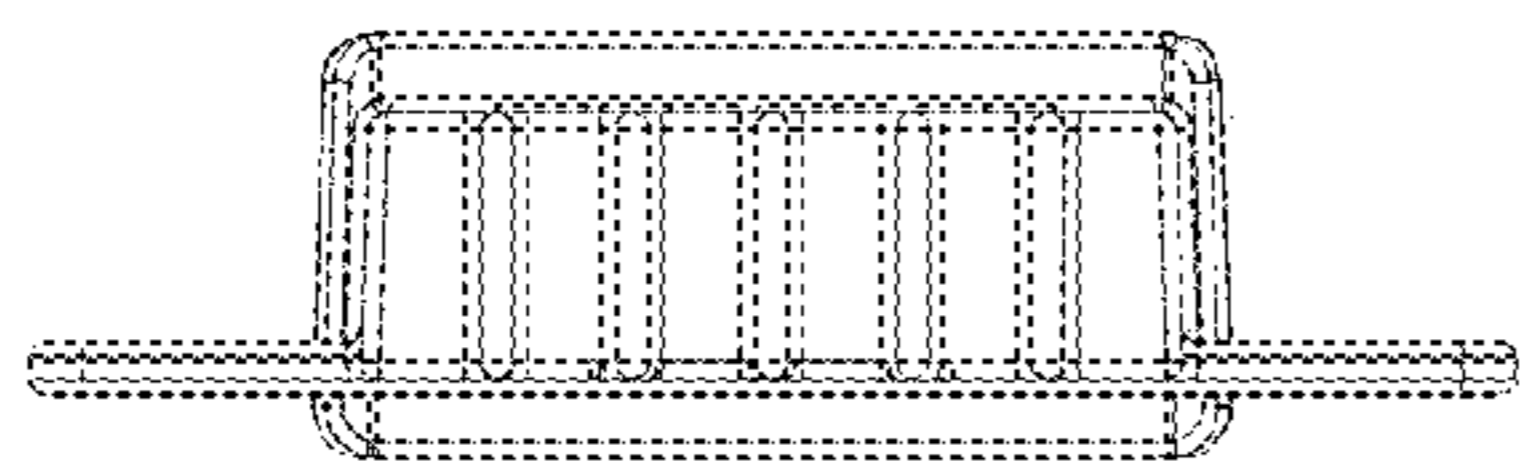


FIG. 19