



US00D736055S

(12) **United States Design Patent**  
**Funnell, II et al.**

(10) **Patent No.:** **US D736,055 S**  
(45) **Date of Patent:** **\*\* Aug. 11, 2015**

- (54) **APPLIANCE HANDLE**
- (71) Applicant: **BSH Home Appliances Corporation**,  
Irvine, CA (US)
- (72) Inventors: **Richard W. Funnell, II**, Huntington  
Beach, CA (US); **Andrew Roberson**,  
Long Beach, CA (US); **Graham**  
**Sadtler**, Huntington Beach, CA (US)
- (73) Assignee: **BSH Home Appliances Corporation**,  
Irvine, CA (US)
- (\*\*) Term: **14 Years**
- (21) Appl. No.: **29/456,399**
- (22) Filed: **May 31, 2013**
- (51) **LOC (10) Cl.** ..... **08-06**
- (52) **U.S. Cl.**  
USPC ..... **D8/319; D8/315**
- (58) **Field of Classification Search**  
USPC ..... **D8/315, 319; D15/78-89, 91; 16/412,**  
**16/436, 246-255, 3.1, 3.6, 3.63, 3.64;**  
**312/400-409, 236, 352, 116, 128**  
See application file for complete search history.

D541,828 S *	5/2007	Nishibori et al.	.....	D15/87
D542,090 S *	5/2007	Kim	.....	D7/402
D546,623 S *	7/2007	Kim	.....	D7/402
D556,794 S *	12/2007	Vaughn et al.	.....	D15/89
D561,787 S *	2/2008	Choi	.....	D15/89
D562,360 S *	2/2008	Choi	.....	D15/89
D562,361 S *	2/2008	Kwak	.....	D15/89
D565,892 S *	4/2008	McConnell et al.	.....	D7/402
D572,111 S *	7/2008	Busalt et al.	.....	D8/316
D577,567 S *	9/2008	Crookshanks	.....	D8/316
D579,310 S *	10/2008	Suh et al.	.....	D8/315
7,458,133 B2 *	12/2008	Wing	.....	16/412
D587,730 S *	3/2009	Yang et al.	.....	D15/89
D588,172 S *	3/2009	Yang et al.	.....	D15/89
D610,173 S *	2/2010	Kim	.....	D15/89
D610,594 S *	2/2010	Martin et al.	.....	D15/89
D610,595 S *	2/2010	Baker et al.	.....	D15/89
D611,508 S *	3/2010	Baker et al.	.....	D15/91
D612,677 S *	3/2010	Jeon	.....	D7/402

(Continued)

*Primary Examiner* — Mark Goodwin

(74) *Attorney, Agent, or Firm* — James E. Howard; Andre Pallapies

(57) **CLAIM**

The ornamental design for an appliance handle, as shown and described.

**DESCRIPTION**

FIG. 1 is a front perspective view of an appliance handle according a first embodiment showing my new ornamental design;

FIG. 2 a top view thereof, with the bottom view being a minor image thereof;

FIG. 3 is a front view thereof;

FIG. 4 is a rear view thereof; and,

FIG. 5 is a right side view thereof, with the left side view thereof being a mirror image thereof.

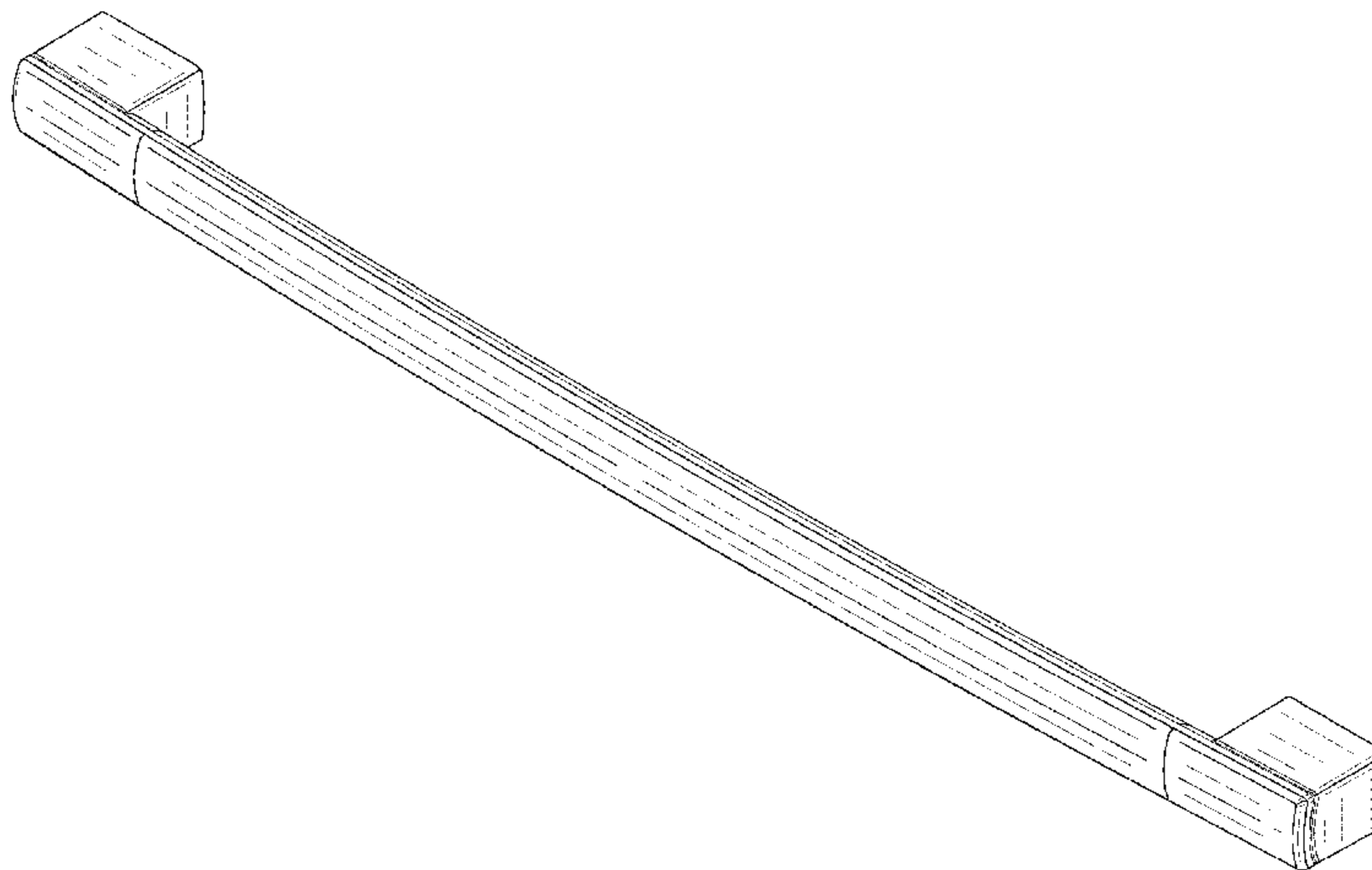
The broken lines of the appliance handle indicate surrounding environment or structure and do not form a part of the claimed design.

**1 Claim, 2 Drawing Sheets**

(56) **References Cited**

**U.S. PATENT DOCUMENTS**

D190,453 S *	5/1961	Munz et al.	.....	D15/86
D266,122 S *	9/1982	Haug	.....	D8/316
4,922,576 A *	5/1990	Weidner et al.	.....	16/413
D342,436 S *	12/1993	Cook et al.	.....	D8/317
D370,166 S *	5/1996	Decursu et al.	.....	D8/319
D370,617 S *	6/1996	Decursu et al.	.....	D8/316
5,740,587 A *	4/1998	Onai et al.	.....	16/412
D424,873 S *	5/2000	Holbrook	.....	D7/402
D449,215 S *	10/2001	Bertani	.....	D8/316
D455,161 S *	4/2002	Choi	.....	D15/89
6,546,597 B2 *	4/2003	Atalla et al.	.....	16/436
D505,139 S *	5/2005	Jackovin	.....	D15/89
D511,955 S *	11/2005	Baldwin et al.	.....	D8/301
D537,849 S *	3/2007	Wong et al.	.....	D15/89



(56)

**References Cited**

U.S. PATENT DOCUMENTS

D614,012 S \* 4/2010 Saubert et al. .... D8/317  
D614,013 S \* 4/2010 Saubert et al. .... D8/317  
D615,568 S \* 5/2010 Baker et al. .... D15/91  
D620,956 S \* 8/2010 Kim et al. .... D15/87  
D629,023 S \* 12/2010 Jeon et al. .... D15/89

7,870,647 B2 \* 1/2011 Steurer ..... 16/412  
D654,310 S \* 2/2012 Benold ..... D7/402  
D654,311 S \* 2/2012 Benold ..... D7/402  
D685,011 S \* 6/2013 Meda et al. .... D15/89  
D685,012 S \* 6/2013 Meda et al. .... D15/89  
D685,013 S \* 6/2013 Meda et al. .... D15/89  
2003/0056334 A1 \* 3/2003 Finkelstein ..... 16/436

\* cited by examiner

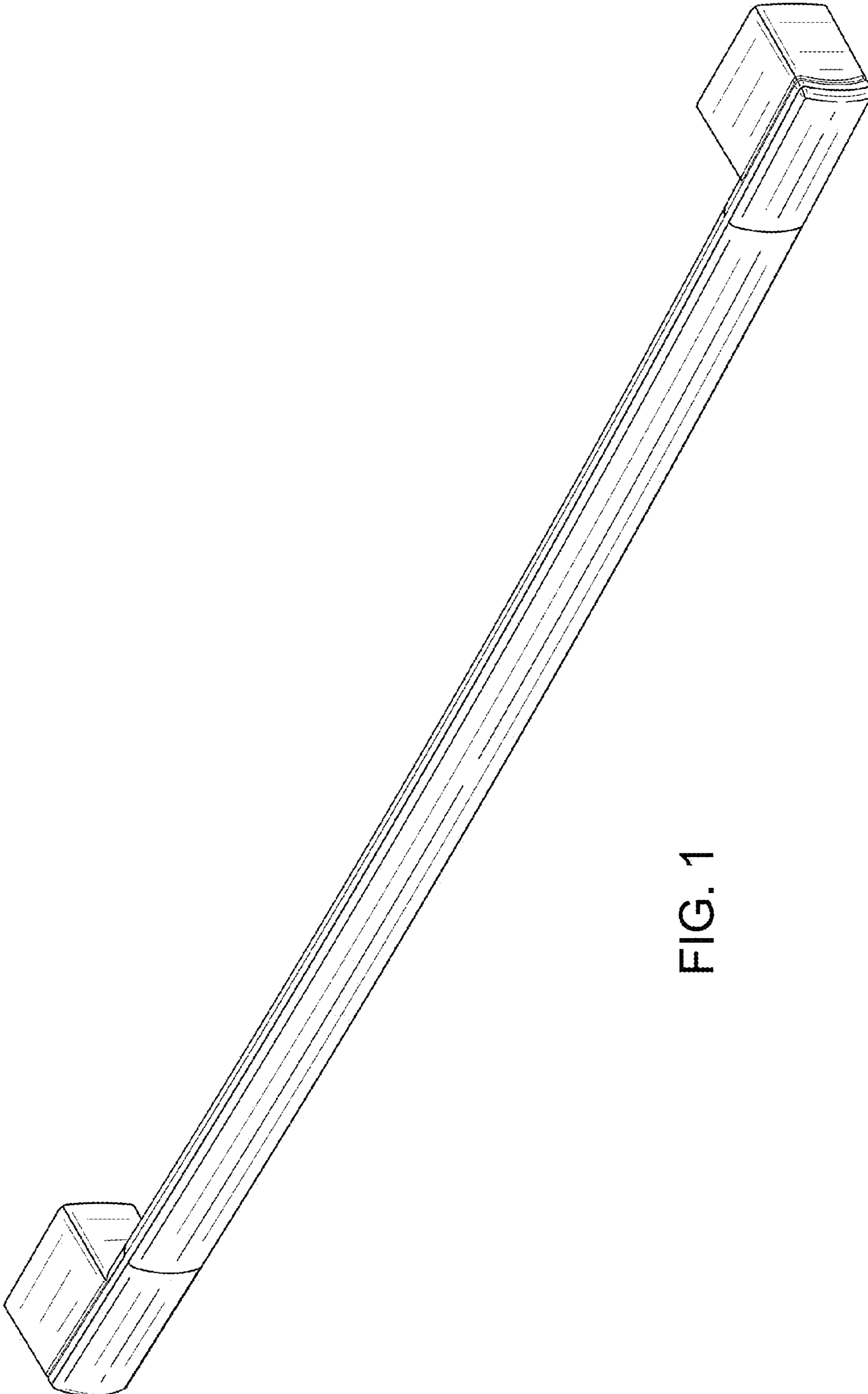


FIG. 1

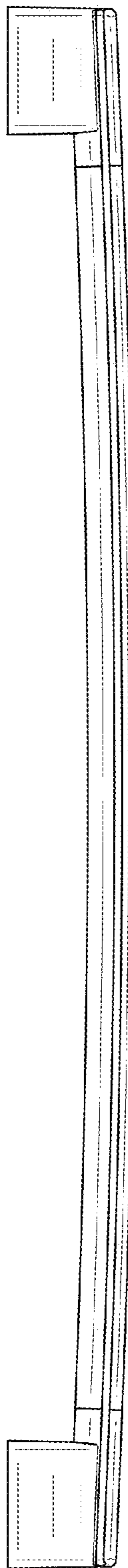


FIG. 2

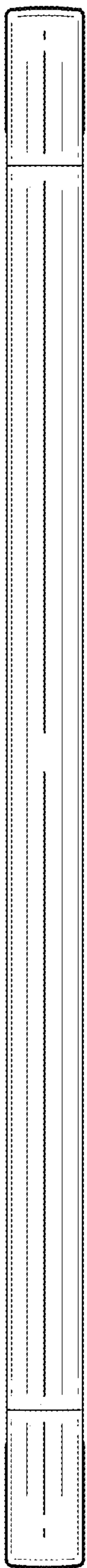


FIG. 3

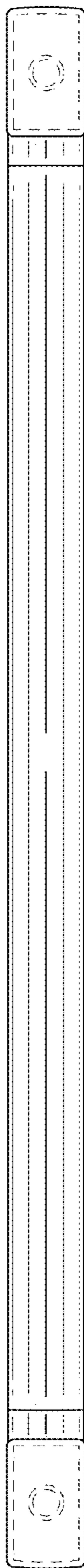


FIG. 4

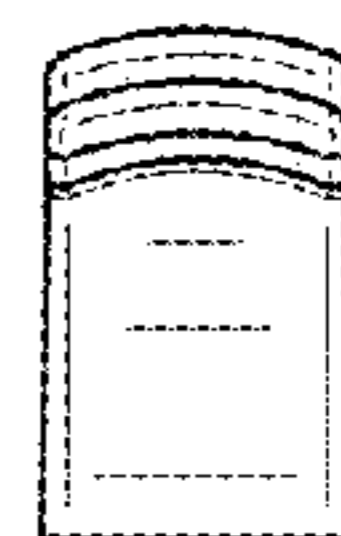


FIG. 5