



US00D736053S

(12) **United States Design Patent**  
**Zhang**

(10) **Patent No.:** **US D736,053 S**  
(45) **Date of Patent:** **\*\* Aug. 11, 2015**

- (54) **BIT**
- (71) Applicant: **CHERVON (HK) LIMITED**, Wanchai (HK)
- (72) Inventor: **Xiaofeng Zhang**, Nanjing (CN)
- (73) Assignee: **Chervon (HK) Limited**, Hong Kong (HK)
- (\*\*) Term: **14 Years**
- (21) Appl. No.: **29/485,677**
- (22) Filed: **Mar. 21, 2014**

D493,081	S	*	7/2004	Chen	.....	D8/29
6,761,361	B2	*	7/2004	Taylor et al.	.....	279/75
D589,319	S	*	3/2009	Peters	.....	D8/70
D609,073	S	*	2/2010	Lin	.....	D8/70
7,913,592	B2	*	3/2011	Hu	.....	81/438
8,479,616	B2	*	7/2013	Tsai	.....	81/125
8,695,461	B2	*	4/2014	Moss et al.	.....	81/125
8,857,300	B2	*	10/2014	Lai	.....	81/438
8,864,143	B2	*	10/2014	Lin	.....	279/23.1
8,864,144	B2	*	10/2014	Hsu	.....	279/50
8,876,120	B2	*	11/2014	Chen	.....	279/30
2011/0036212	A1	*	2/2011	Santamarina et al.	.....	81/436
2013/0068073	A1	*	3/2013	Steele et al.	.....	81/177.2
2014/0360319	A1	*	12/2014	Huang	.....	81/177.2
2015/0013508	A1	*	1/2015	Zhang	.....	81/436
2015/0037111	A1	*	2/2015	Chang	.....	408/202

\* cited by examiner

(30) **Foreign Application Priority Data**

Sep. 27, 2013 (CN) ..... 2013 3 0461170

(51) **LOC (10) Cl.** ..... **08-04**

(52) **U.S. Cl.**  
USPC ..... **D8/86**

(58) **Field of Classification Search**

USPC ..... D8/70, 82-87, 105; D15/139; 81/125, 81/177.1-177.7, 436, 438, 460-461  
 CPC ..... B23B 2251/66; B23P 15/00; B25B 13/06; B25B 13/5091; B25B 15/00; B25B 15/001; B25B 15/002; B25B 15/004; B25B 15/005; B25B 15/008; B25B 15/02; B25B 15/04; B25B 17/00; B25B 21/007; B25B 23/00; B25B 23/0035; B25B 23/005; B25B 23/12; B25B 23/1405; B25B 27/18; B25B 31/12; B25B 51/08; B25B 51/108

See application file for complete search history.

(56) **References Cited**

**U.S. PATENT DOCUMENTS**

D379,578 S \* 6/1997 Daniels ..... D8/70  
 D415,180 S \* 10/1999 Rosanwo ..... D15/140

*Primary Examiner* — Philip S Hyder

*Assistant Examiner* — Roselynn Cody

(74) *Attorney, Agent, or Firm* — Greenberg Traurig, LLP

(57) **CLAIM**

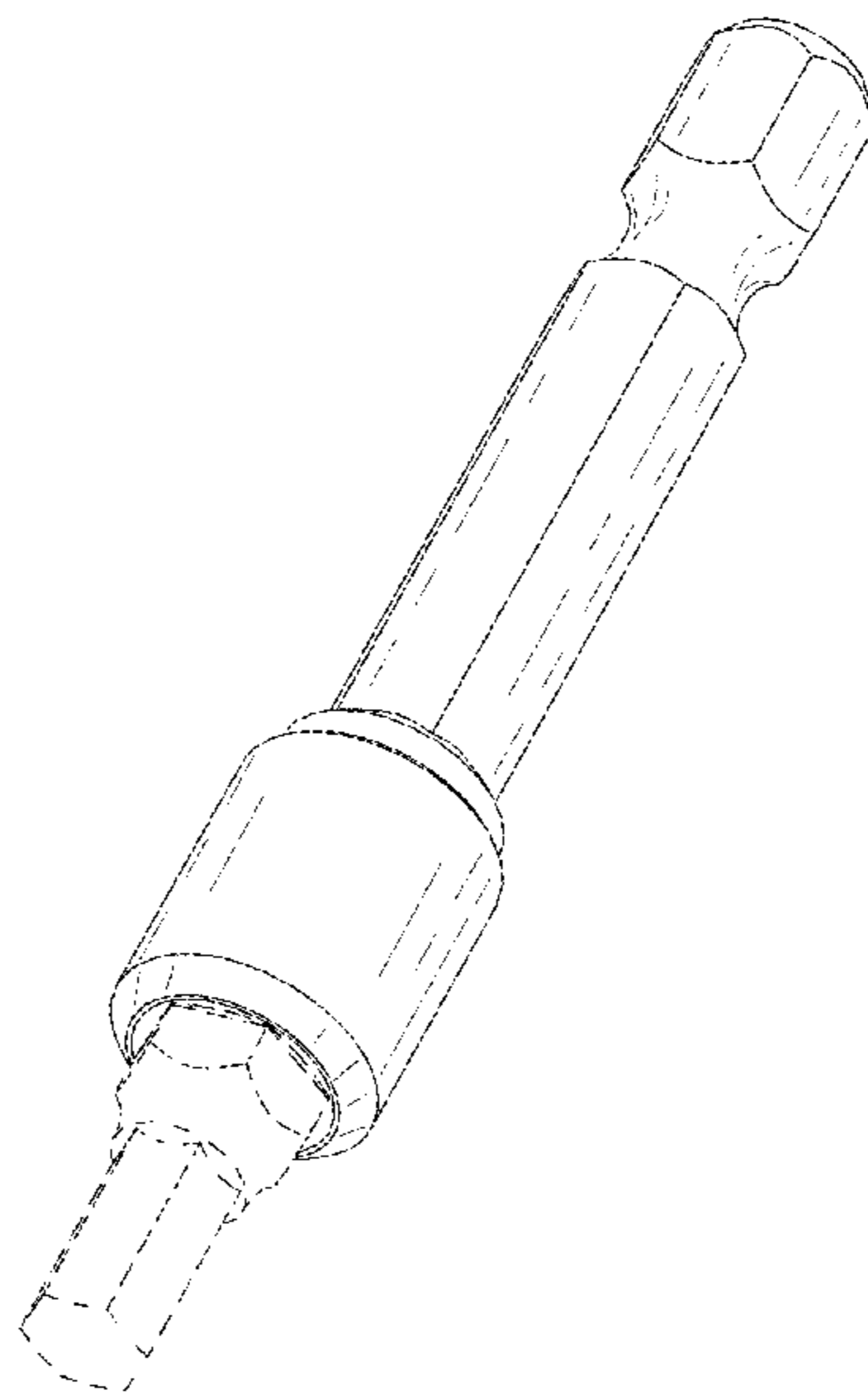
What is claimed is the ornamental design for a bit, as shown and described.

**DESCRIPTION**

FIG. 1 is a left side elevational view of a bit showing my new design, the right side elevational view being the same;  
 FIG. 2 is a front side elevational view thereof, the back side elevational view being the same;  
 FIG. 3 is a top plan view thereof;  
 FIG. 4 is a bottom plan view thereof; and,  
 FIG. 5 is a perspective view thereof.

Any elements shown in dotted and/or dashed lines are provided for illustrative purposes only and form no part of the design claimed. Any surface shading is used solely to show the character or contour of the surfaces represented.

**1 Claim, 4 Drawing Sheets**



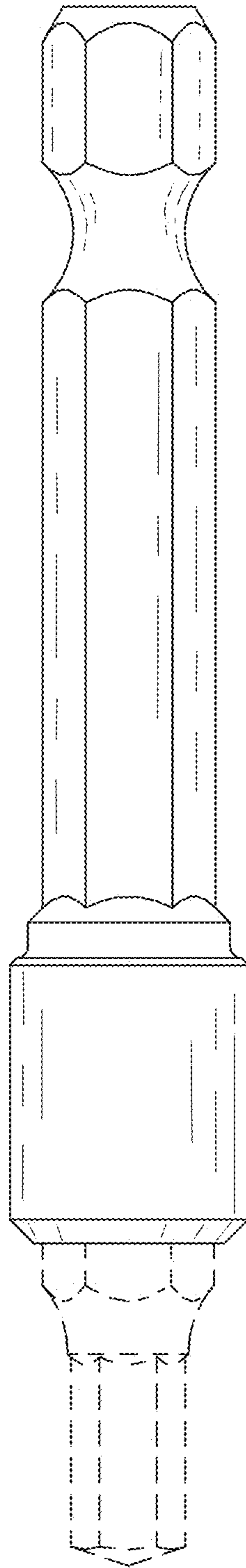


Fig. 1

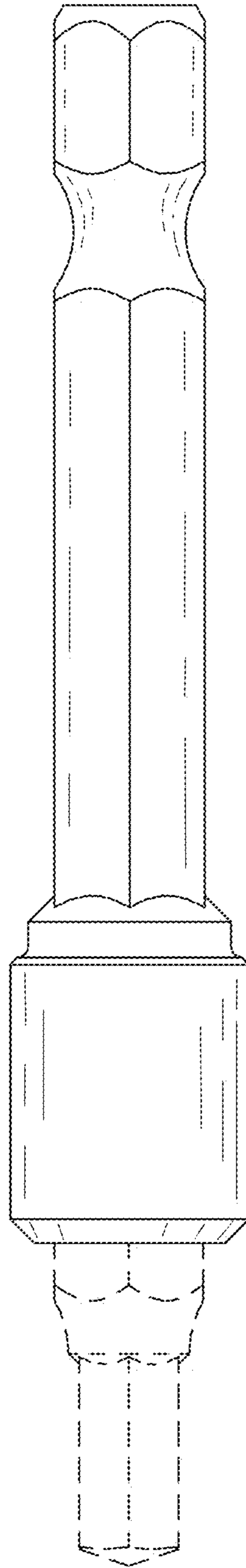


Fig. 2

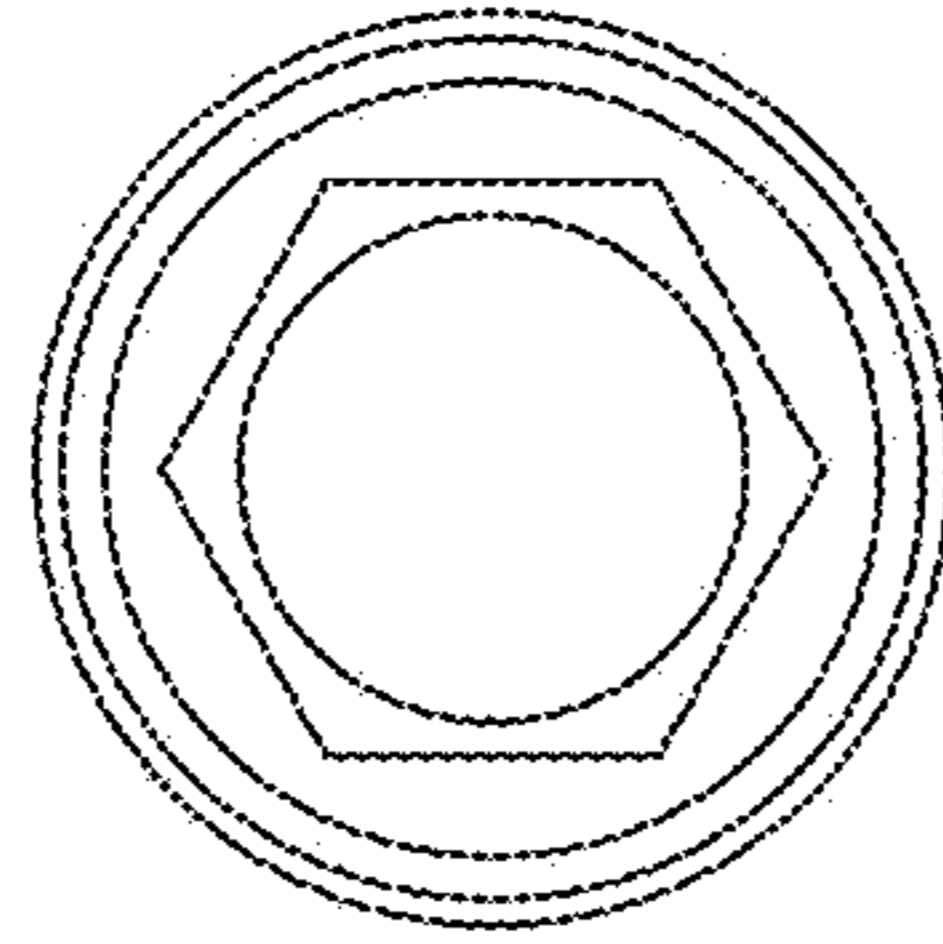


Fig. 3

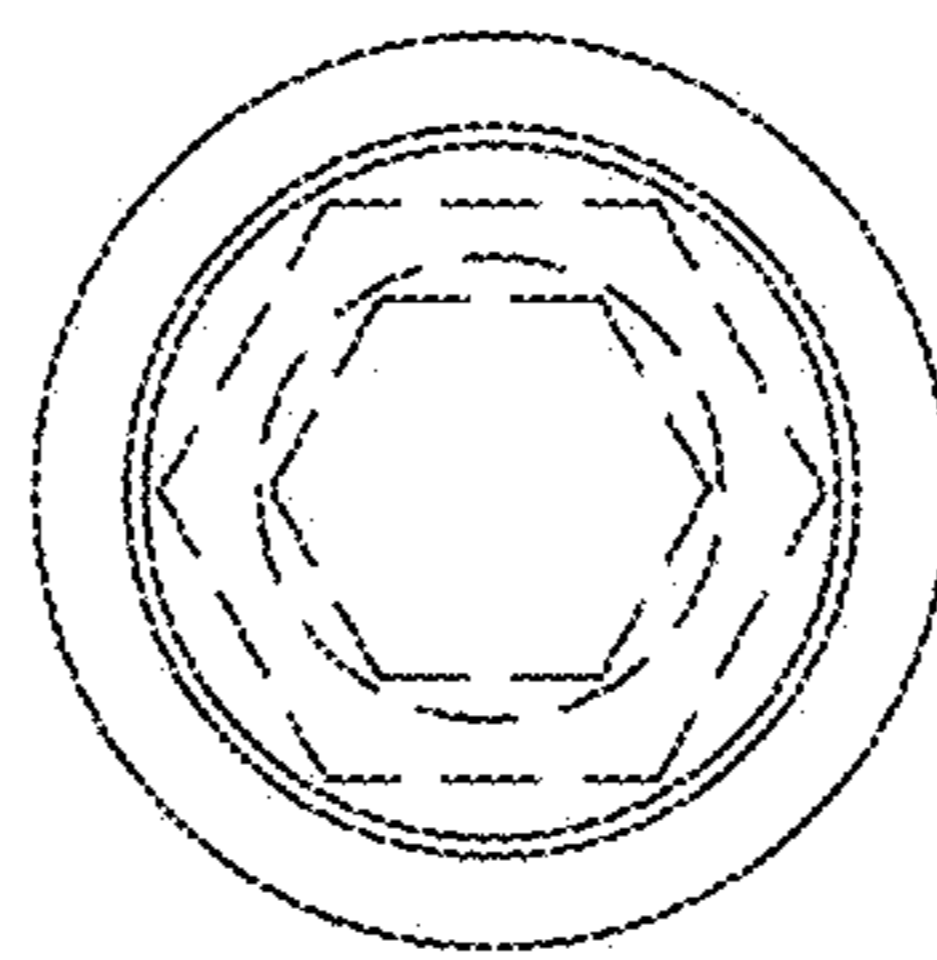


Fig. 4

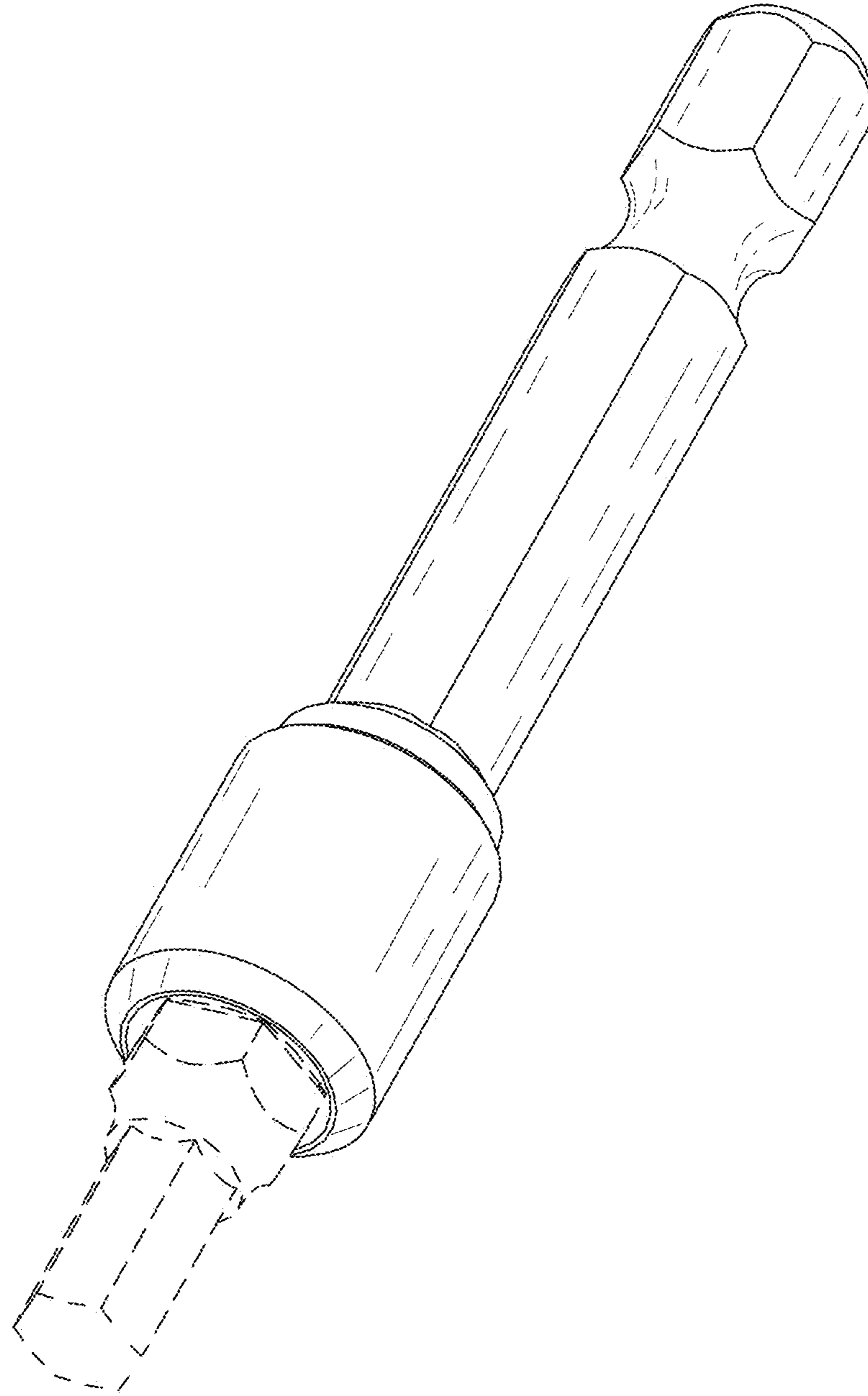


Fig. 5