



US00D736051S

(12) **United States Design Patent**
Chen

(10) **Patent No.:** **US D736,051 S**

(45) **Date of Patent:** **** Aug. 11, 2015**

(54) **HAMMERHEAD**

(71) Applicant: **Yung-Shou Chen**, Taichung (TW)

(72) Inventor: **Yung-Shou Chen**, Taichung (TW)

(**) Term: **14 Years**

(21) Appl. No.: **29/444,467**

(22) Filed: **Jan. 30, 2013**

(51) **LOC (10) Cl.** **08-02**

(52) **U.S. Cl.**
USPC **D8/78**

(58) **Field of Classification Search**
USPC D8/75-81; D22/117-118; 81/19-24;
254/26 R

See application file for complete search history.

(56) **References Cited**

U.S. PATENT DOCUMENTS

D429,985 S *	8/2000	Tovar	D8/78
D474,667 S *	5/2003	Hung	D8/75
D497,789 S *	11/2004	Hung	D8/78
D503,605 S *	4/2005	Hung	D8/78
D505,609 S *	5/2005	Hung	D8/79
D534,409 S *	1/2007	Chen	D8/78

D603,675 S *	11/2009	Chen	D8/78
D609,547 S *	2/2010	Pell	D8/78
D653,925 S *	2/2012	Hung	D8/78

* cited by examiner

Primary Examiner — Philip S Hyder

Assistant Examiner — Roselynn Cody

(74) *Attorney, Agent, or Firm* — Pai Patent & Trademark Law Firm; Chao-Chang David Pai

(57) **CLAIM**

The ornamental design for a hammerhead, as shown and described.

DESCRIPTION

FIG. 1 is a front perspective view of a hammerhead, showing my new design;

FIG. 2 is a front elevational view thereof;

FIG. 3 is a rear elevational view thereof;

FIG. 4 is a left side elevational view thereof;

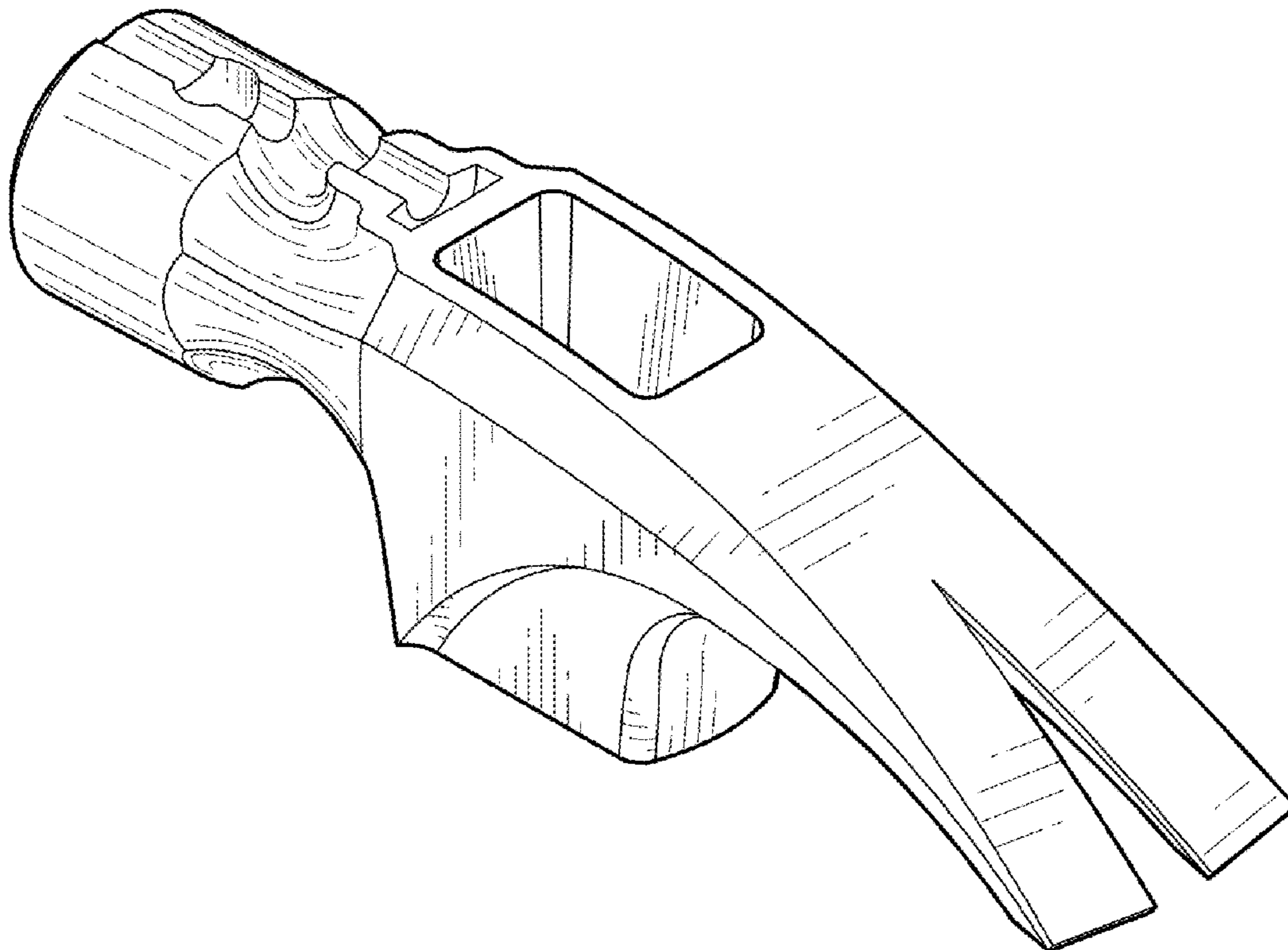
FIG. 5 is a right side elevational view thereof;

FIG. 6 is a top plan view thereof;

FIG. 7 is a bottom plan view thereof; and,

FIG. 8 is a front perspective view thereof, wherein the broken lines showing a hammer handle are included for illustrative purposes only and form no part of the claimed design.

1 Claim, 5 Drawing Sheets



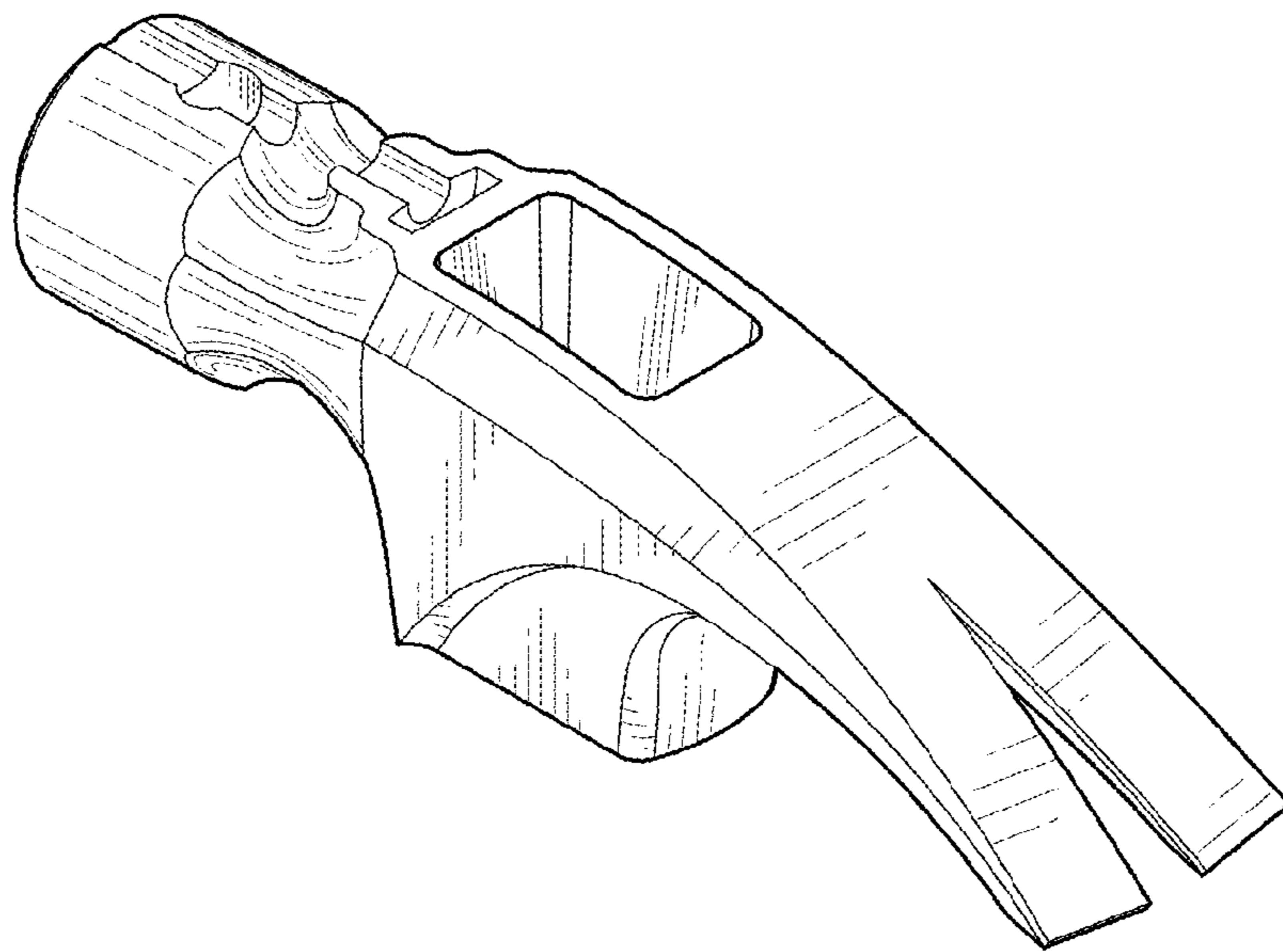


FIG. 1

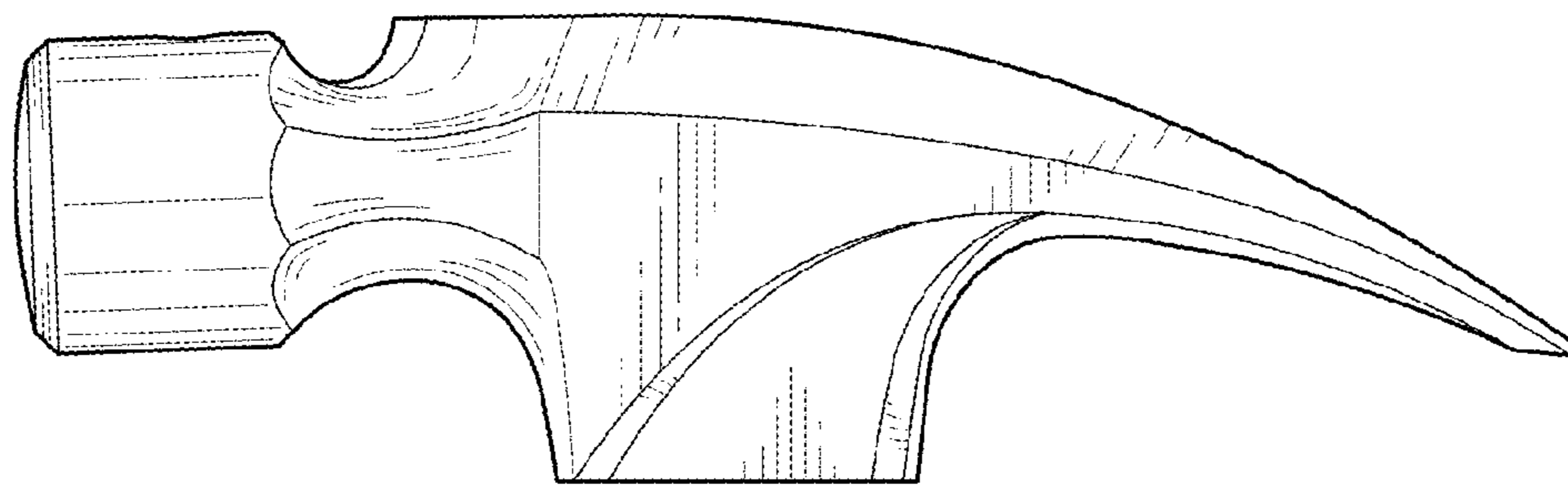


FIG. 2

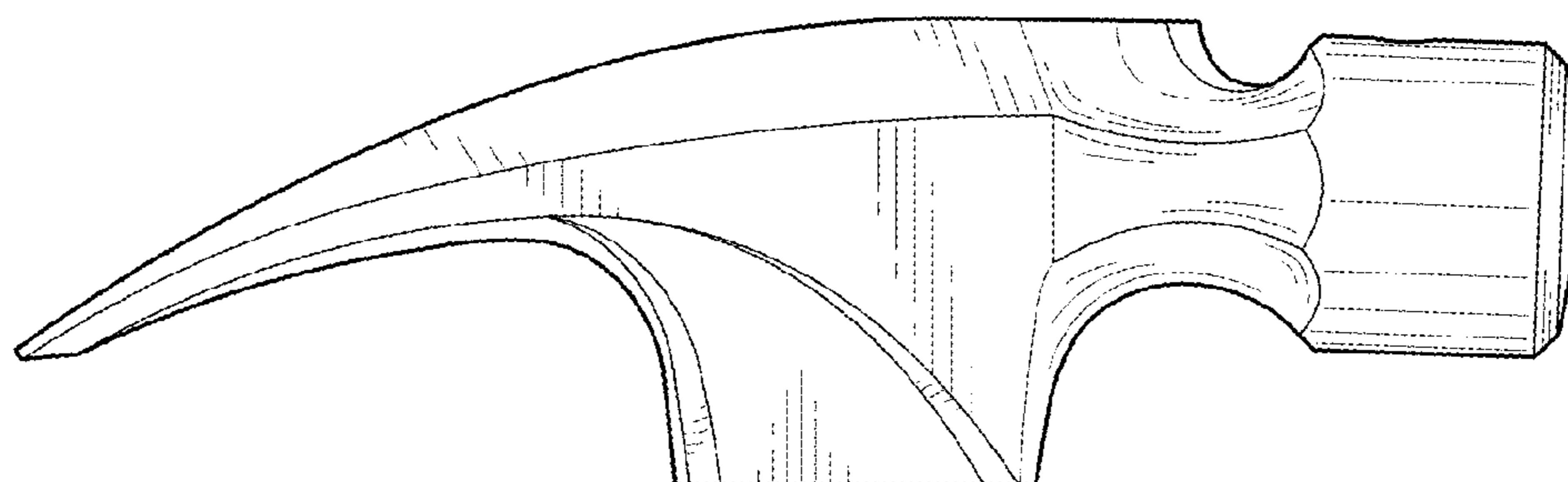


FIG. 3

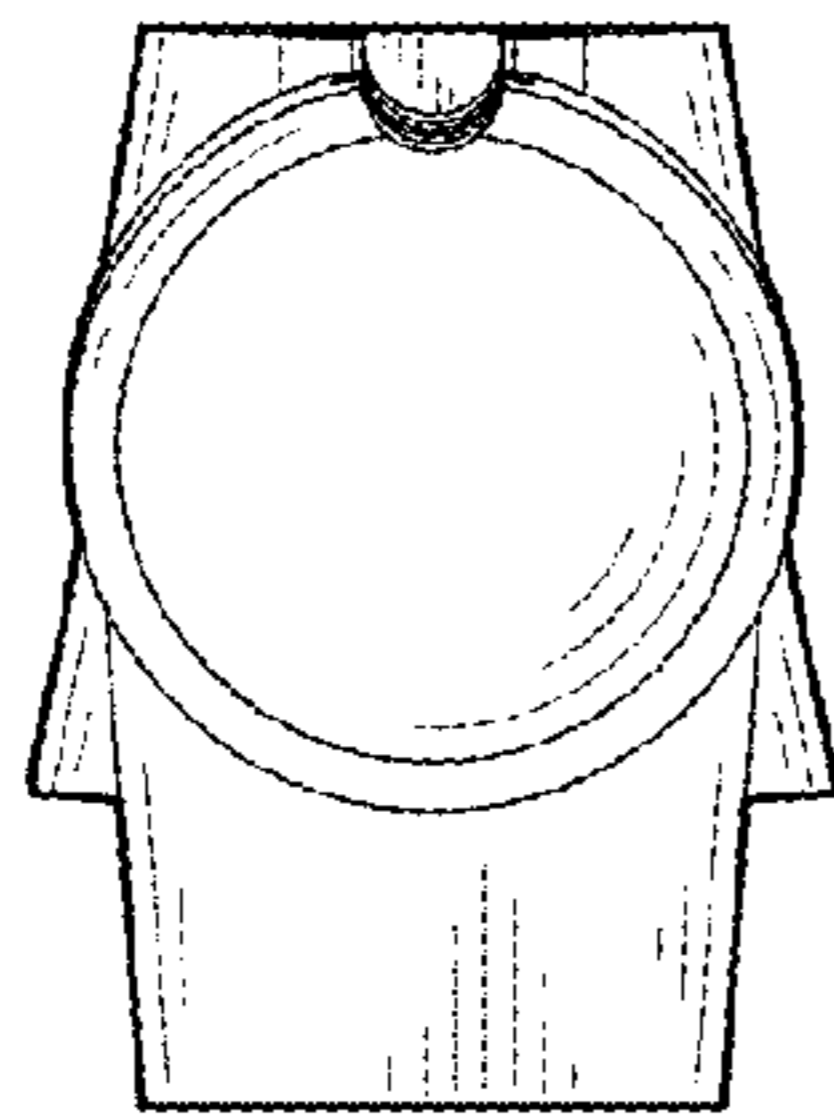


FIG. 4

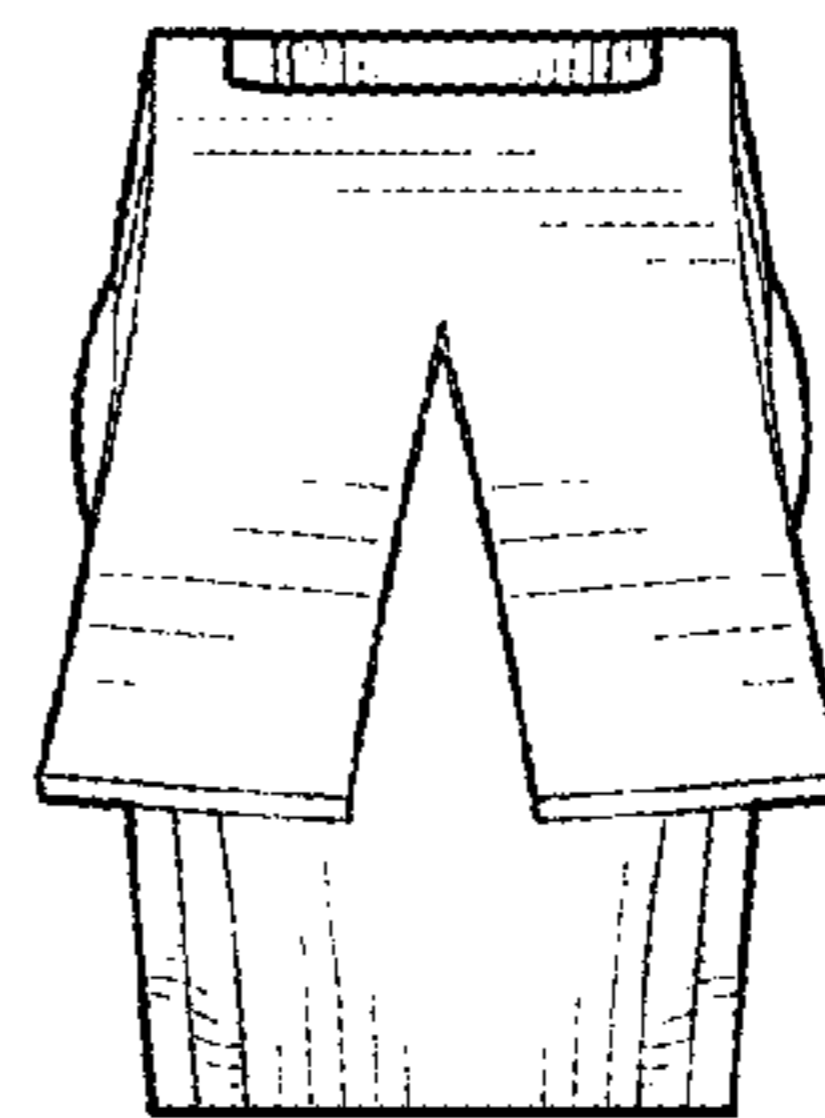


FIG. 5

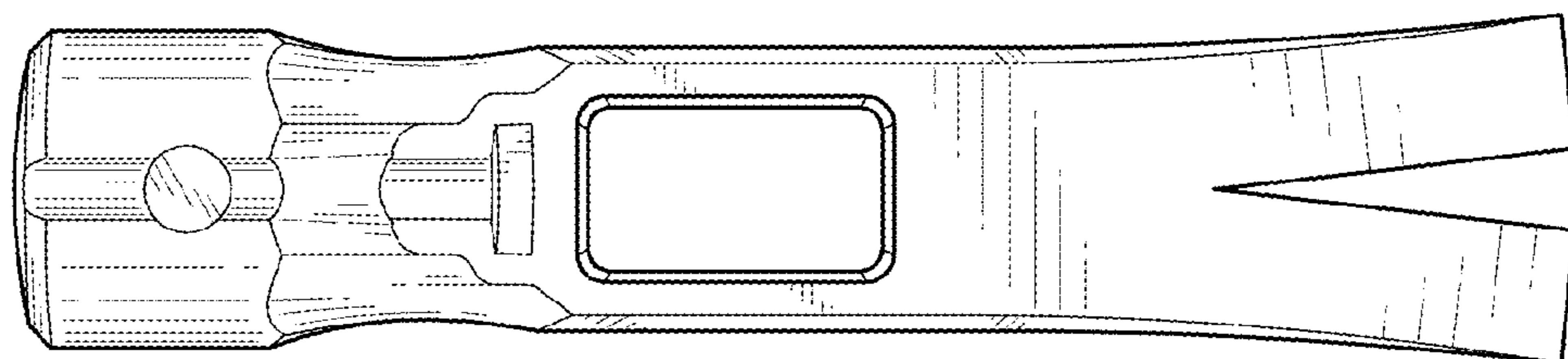


FIG. 6

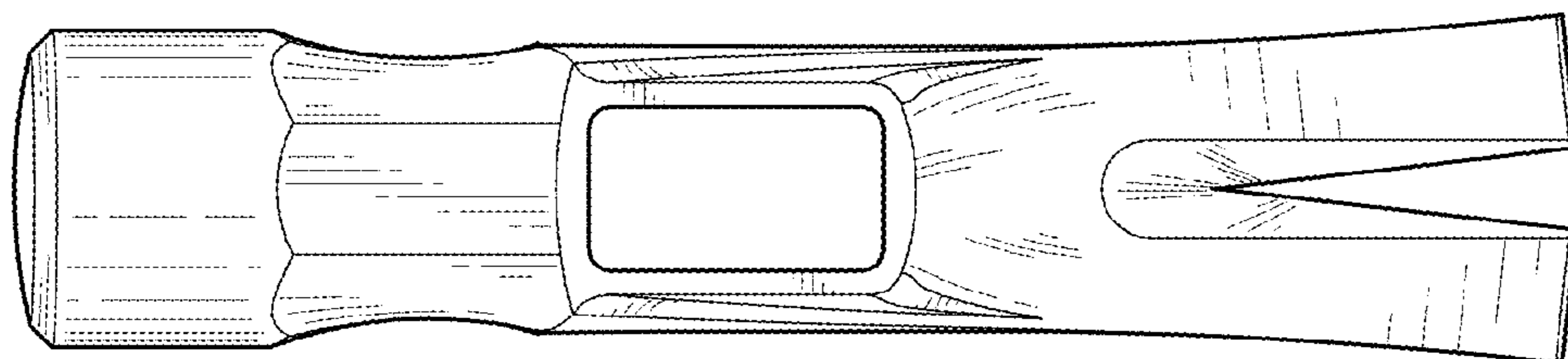


FIG. 7

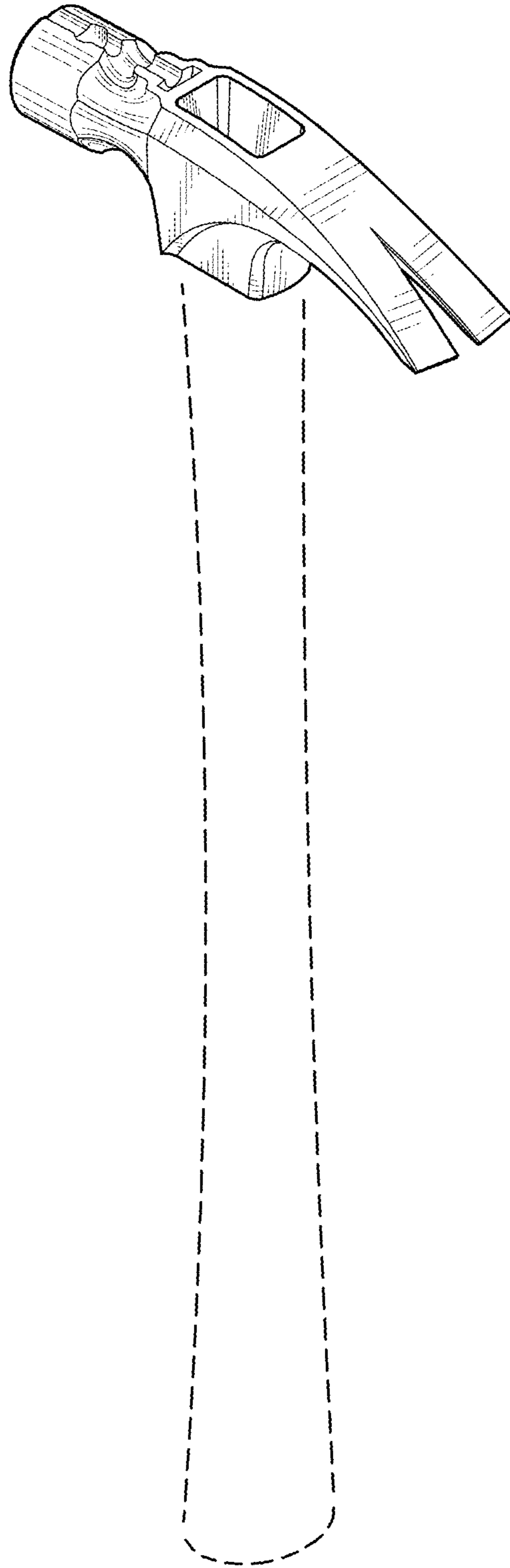


FIG. 8