



US00D736050S

(12) **United States Design Patent**  
**Barouch et al.**

(10) **Patent No.:** **US D736,050 S**

(45) **Date of Patent:** **\*\* Aug. 11, 2015**

(54) **CHARM OPENER**

(71) Applicants: **Cathy Barouch**, Los Angeles, CA (US);  
**Lara Korhammer**, Brisbane (AU)

(72) Inventors: **Cathy Barouch**, Los Angeles, CA (US);  
**Lara Korhammer**, Brisbane (AU)

(\*\*) Term: **14 Years**

(21) Appl. No.: **29/482,260**

(22) Filed: **Feb. 17, 2014**

(51) **LOC (10) Cl.** ..... **08-05**

(52) **U.S. Cl.**  
USPC ..... **D8/52**

(58) **Field of Classification Search**

USPC ..... D8/4, 5, 51-58, 71, 72, 105-107;  
223/111; 81/302, 426, 485, 486  
CPC ..... B25B 5/06; B25B 9/00; B25B 27/146;  
Y10T 24/17; Y10T 24/3904; A47G 25/901;  
Y10S 223/02

See application file for complete search history.

(56) **References Cited**

**U.S. PATENT DOCUMENTS**

2,603,849	A *	7/1952	Epperson	24/507
2,681,504	A *	6/1954	Fox	30/123
D228,868	S *	10/1973	Bush	D8/4
D255,089	S *	5/1980	Walker	D8/4
5,855,401	A *	1/1999	Papernik	294/2
5,934,526	A *	8/1999	Rosenbaum et al.	223/111
D416,455	S *	11/1999	Wai	D8/51
6,036,065	A *	3/2000	Wofford et al.	223/111
6,854,625	B2 *	2/2005	Tedeschi	223/111
D517,884	S *	3/2006	Ellingwood	D8/51

D518,687	S *	4/2006	Baker et al.	D7/686
7,034,252	B2 *	4/2006	Chang et al.	219/243
D570,171	S *	6/2008	Benktzon et al.	D8/51
7,784,383	B2 *	8/2010	Salva et al.	81/302
8,281,966	B2 *	10/2012	Rodgers	223/111
D683,848	S *	6/2013	Ogura et al.	D24/112
D705,620	S *	5/2014	Francis et al.	D8/14
2011/0010867	A1 *	1/2011	Bihl-Luark	7/125

\* cited by examiner

*Primary Examiner* — Deanna L Pratt

(74) *Attorney, Agent, or Firm* — Omni Legal Group; Omid E. Khalifeh

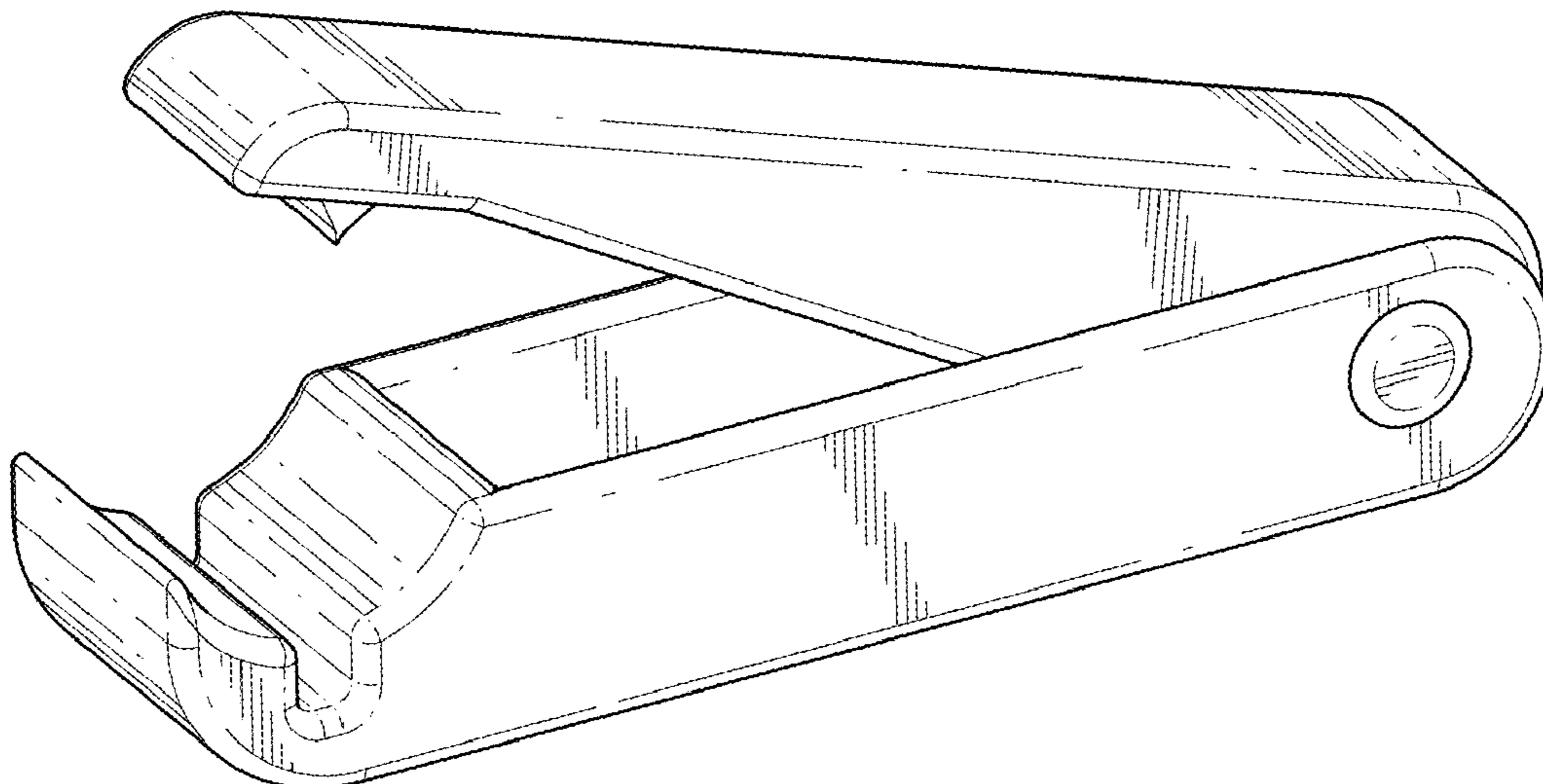
(57) **CLAIM**

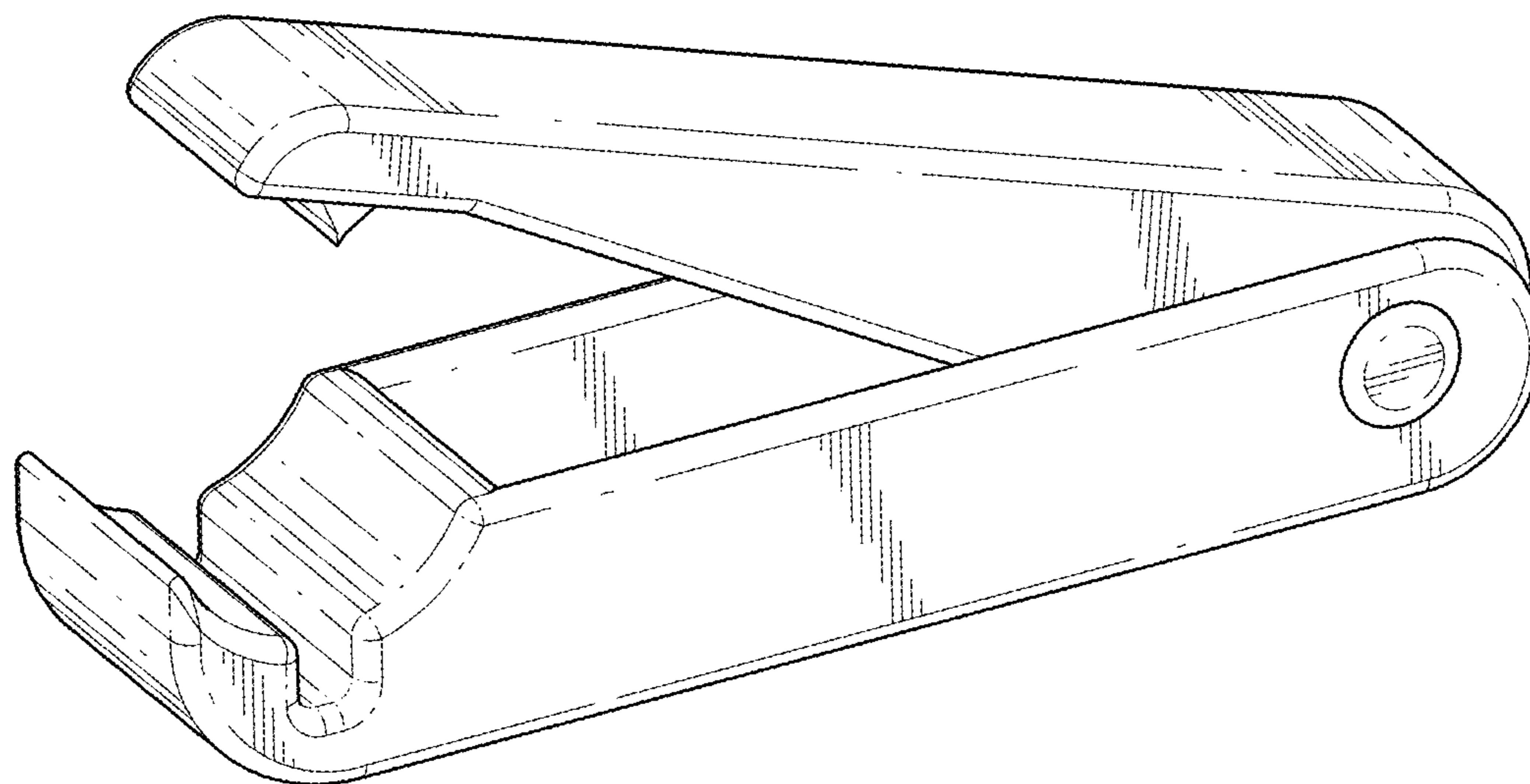
The ornamental design for a charm opener, as shown and described.

**DESCRIPTION**

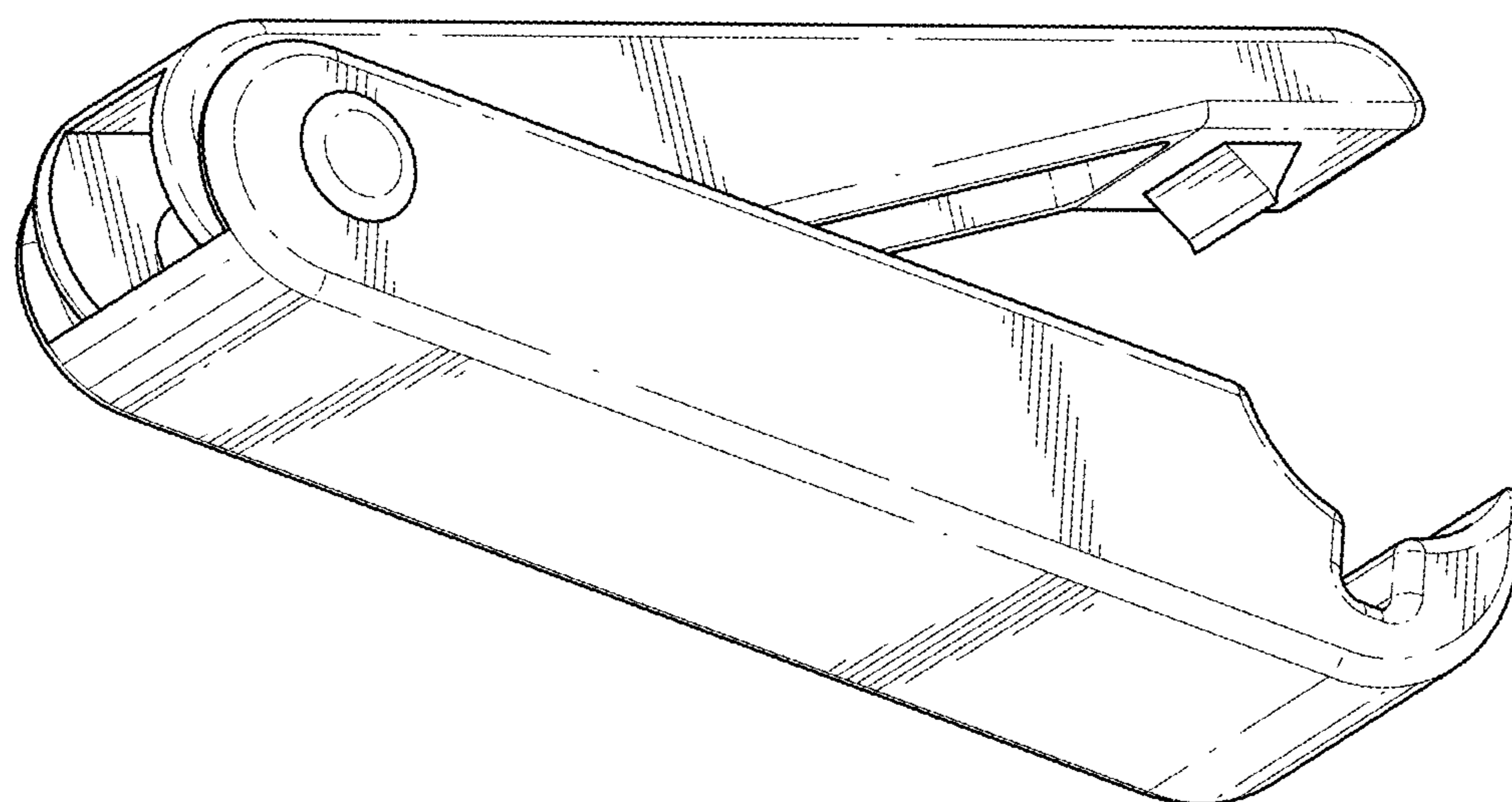
FIG. 1 is a perspective view of a charm opener according to the present invention;  
FIG. 2 is a rear perspective view of a charm opener according to the present invention;  
FIG. 3 is a profile view of a charm opener according to the present invention;  
FIG. 4 is a second profile view of a charm opener according to the present invention;  
FIG. 5 is a top view of a charm opener according to the present invention;  
FIG. 6 is a bottom view of a charm opener according to the present invention;  
FIG. 7 is a front view of a charm opener according to the present invention; and,  
FIG. 8 is a back view of a charm opener according to the present invention.

**1 Claim, 3 Drawing Sheets**

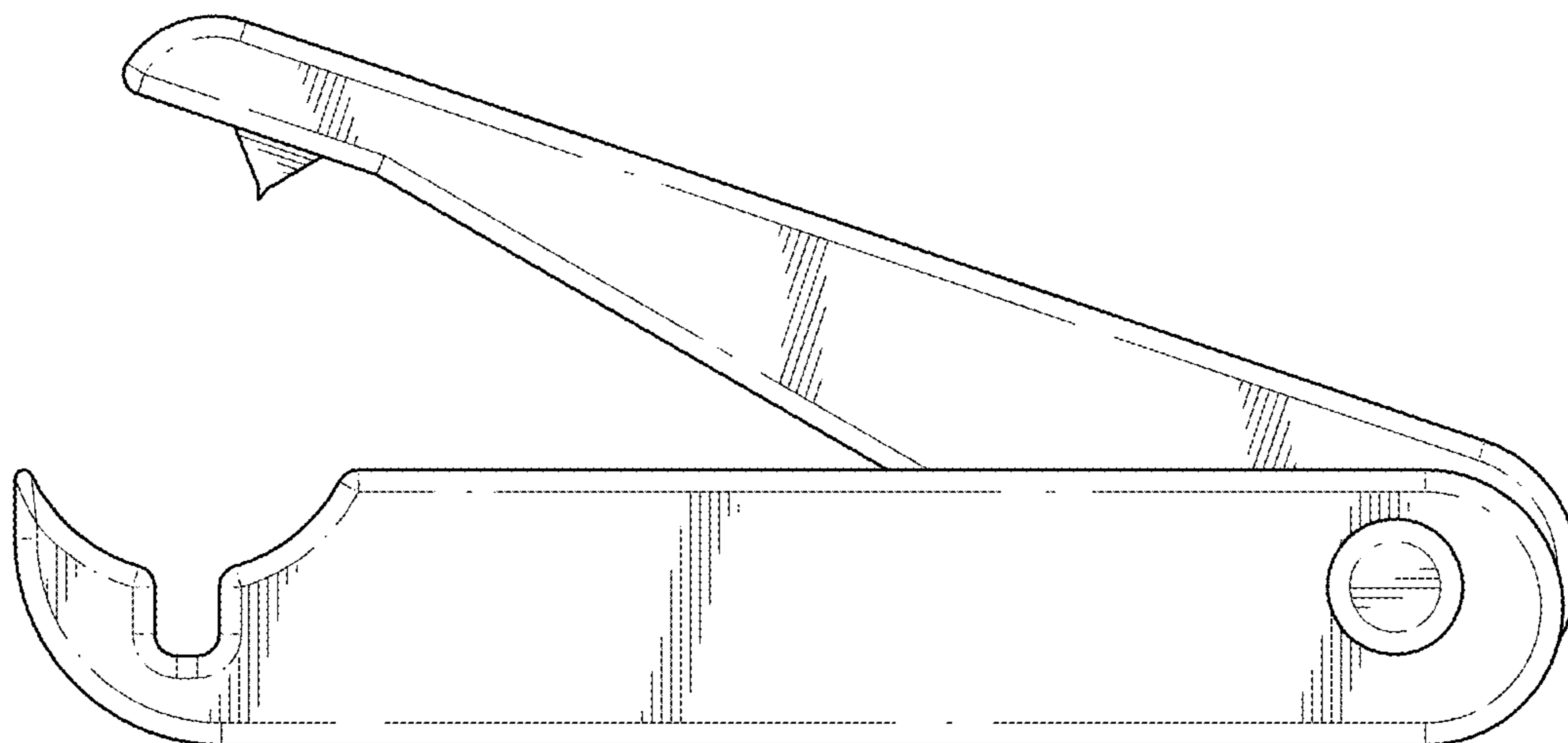




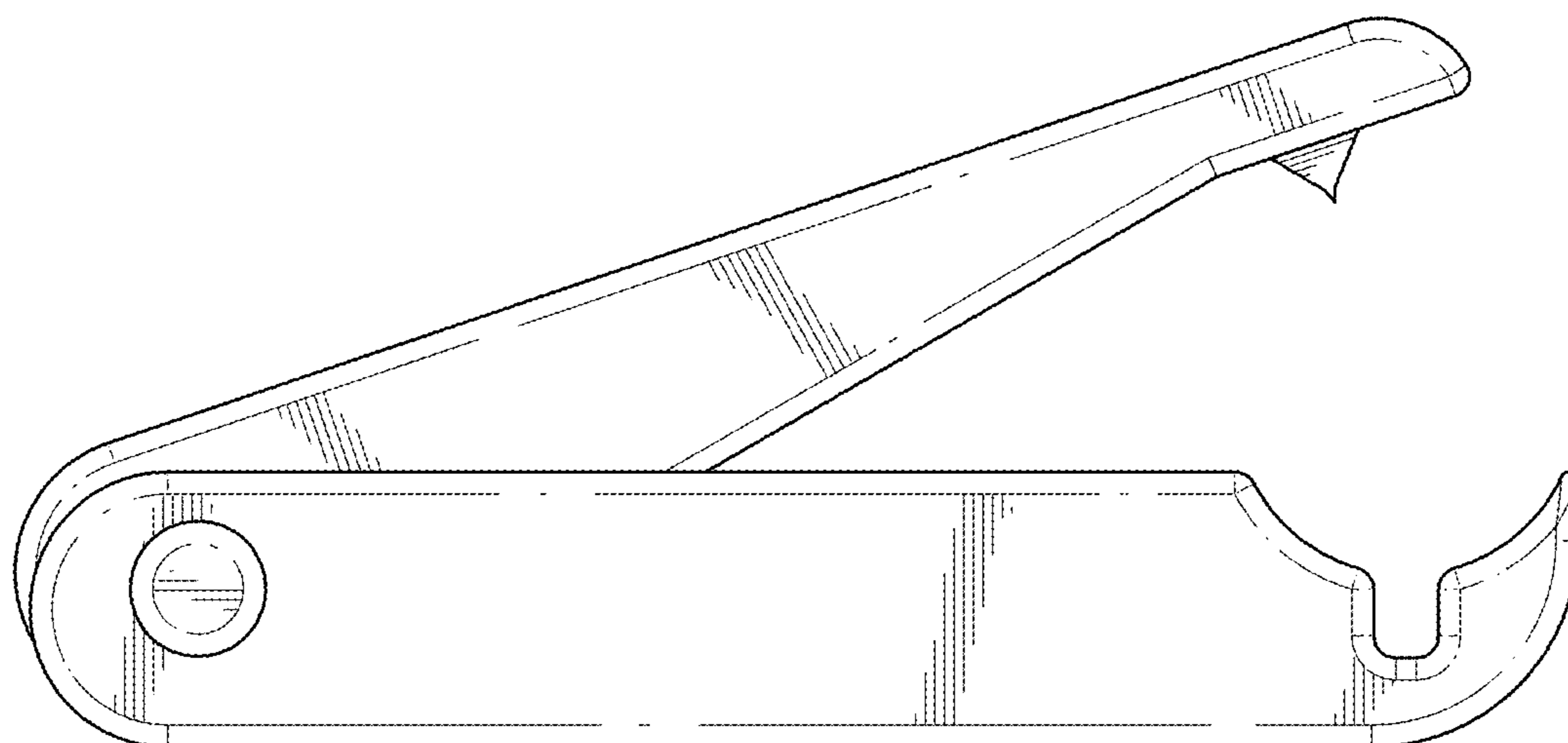
*FIG. 1*



*FIG. 2*



*FIG. 3*



*FIG. 4*

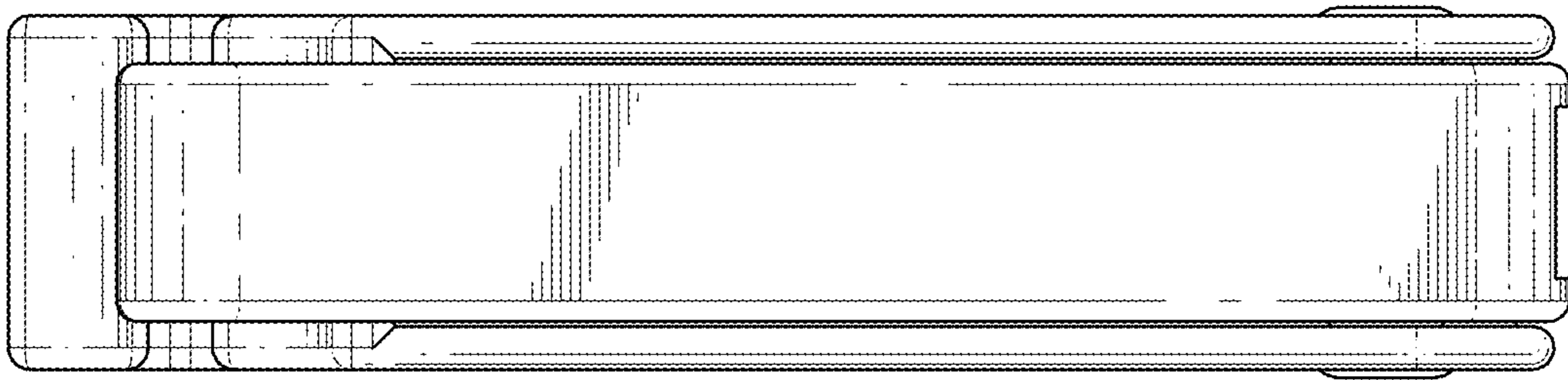


FIG. 5

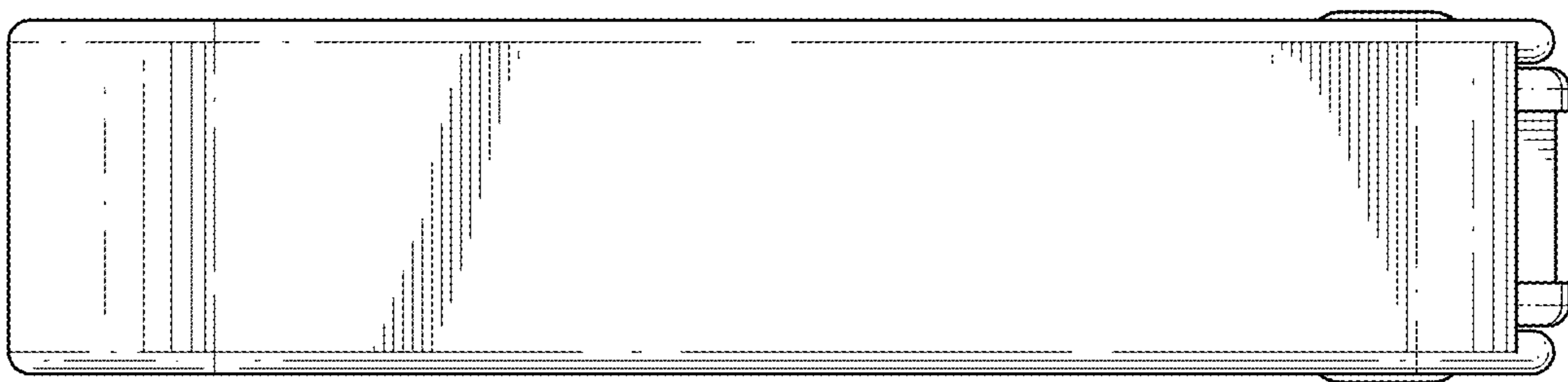


FIG. 6

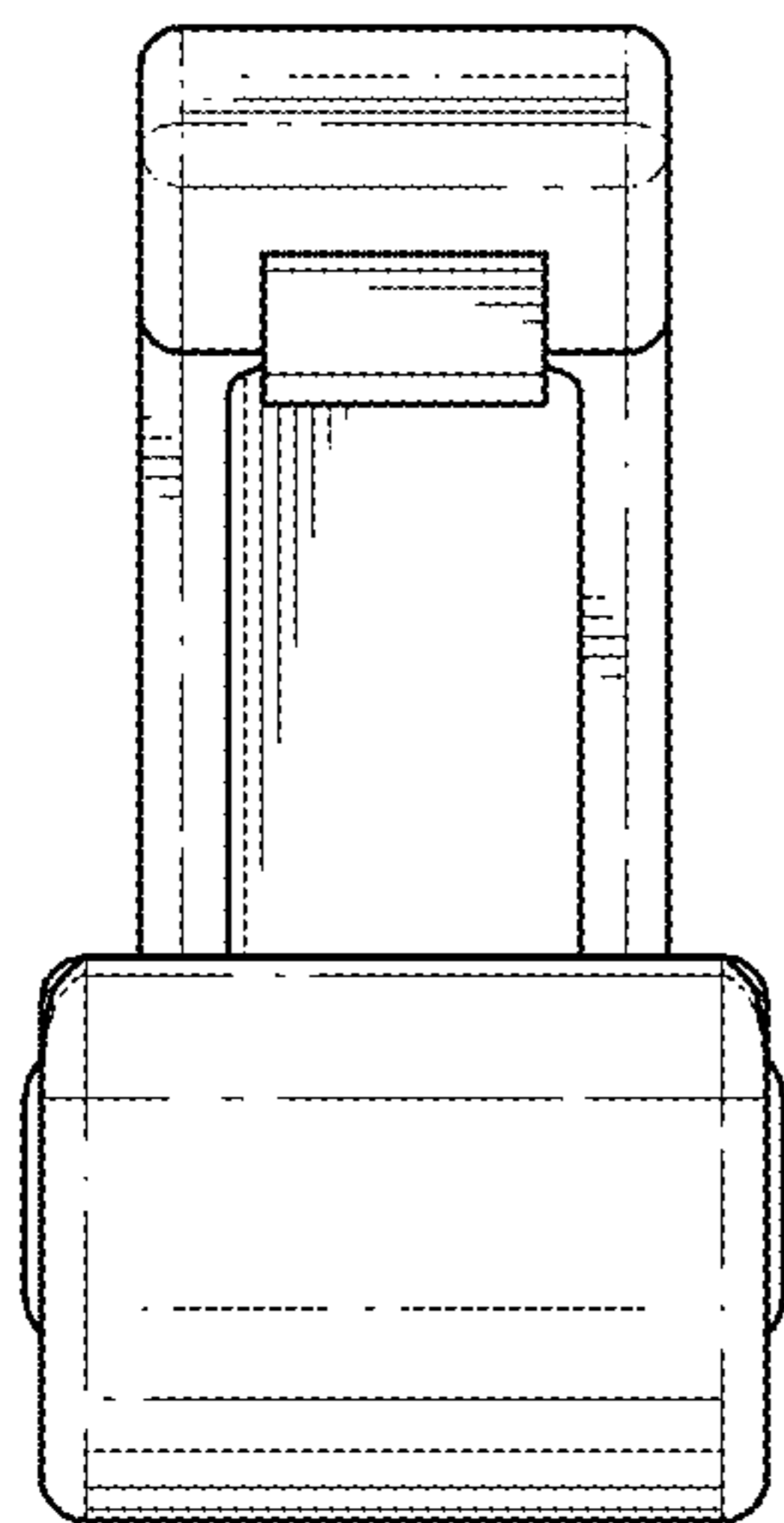


FIG. 7

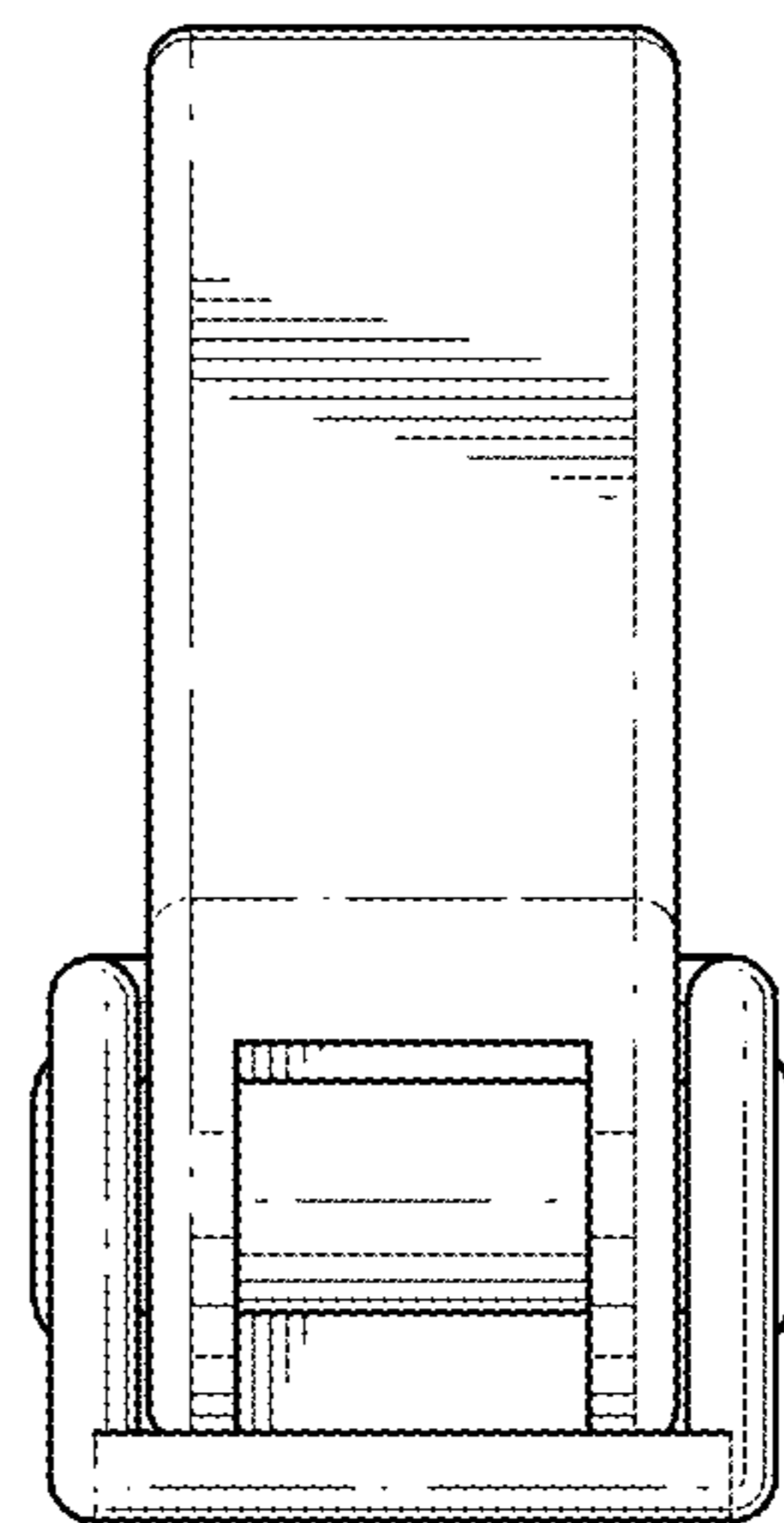


FIG. 8