



US00D736049S

(12) **United States Design Patent**
Kasaba et al.

(10) **Patent No.:** **US D736,049 S**

(45) **Date of Patent:** **** Aug. 11, 2015**

(54) **MODULE HOIST TOOL**

(71) Applicants: **Michael E. Kasaba**, Ventura, CA (US);
Brian R. Huff, Newbury Park, CA (US);
Russell Davis, Thousand Oaks, CA (US)

(72) Inventors: **Michael E. Kasaba**, Ventura, CA (US);
Brian R. Huff, Newbury Park, CA (US);
Russell Davis, Thousand Oaks, CA (US)

(73) Assignee: **Artisan Vehicle Systems, Inc.**,
Camarillo, CA (US)

(**) Term: **14 Years**

(21) Appl. No.: **29/463,114**

(22) Filed: **Jul. 31, 2013**

(51) **LOC (10) Cl.** **08-05**

(52) **U.S. Cl.**
USPC **D8/52**

(58) **Field of Classification Search**
USPC D8/51, 52, 4, 14, 71; D34/33; 429/96;
294/90, 16, 168, 119, 118, 110.1, 106,
294/903; 244/137.1; D15/28
CPC Y10S 294/903
See application file for complete search history.

(56) **References Cited**

U.S. PATENT DOCUMENTS

1,576,060 A * 3/1926 Moss 294/119
1,778,572 A * 10/1930 Taylor 294/118

1,832,409 A * 11/1931 Mueller 294/168
1,833,342 A * 11/1931 Tomlinson 294/118
D141,742 S * 7/1945 Podjus D8/51
2,638,490 A * 5/1953 Snyder 429/96
2,829,917 A * 4/1958 Wiora 294/90
2,847,243 A * 8/1958 Hare 294/16
D222,228 S * 10/1971 Kreps D8/51
4,215,889 A * 8/1980 Rayburn 294/118
D305,719 S * 1/1990 Babcock D8/14
5,259,654 A * 11/1993 Lacey 294/110.1
5,868,357 A * 2/1999 Gabriel 244/137.1
6,481,767 B2 * 11/2002 Pool 294/16
D598,174 S * 8/2009 Lindberg D34/33
D634,593 S * 3/2011 Kavanagh et al. D8/4
D663,093 S * 7/2012 Brewer D34/33
8,985,655 B2 * 3/2015 Kavanagh et al. 294/118

* cited by examiner

Primary Examiner — Ian Simmons

Assistant Examiner — Harold Blackwell, II

(57) **CLAIM**

The ornamental design for a module hoist tool, as shown.

DESCRIPTION

FIG. 1 is a top view of our module hoist tool showing our new design;

FIG. 2 is a right side view thereof;

FIG. 3 is a front side view thereof;

FIG. 4 is a left side view thereof;

FIG. 5 is a bottom view thereof;

FIG. 6 is a top front view thereof; and,

FIG. 7 is a bottom rear view thereof.

1 Claim, 2 Drawing Sheets

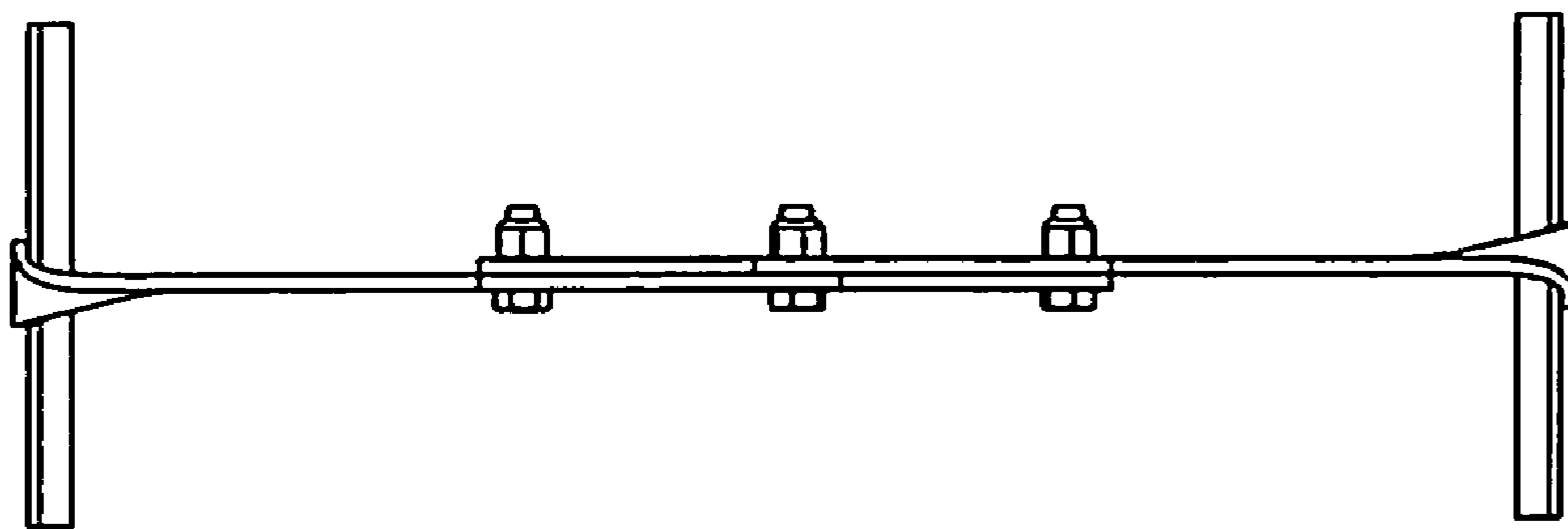


FIG. 1

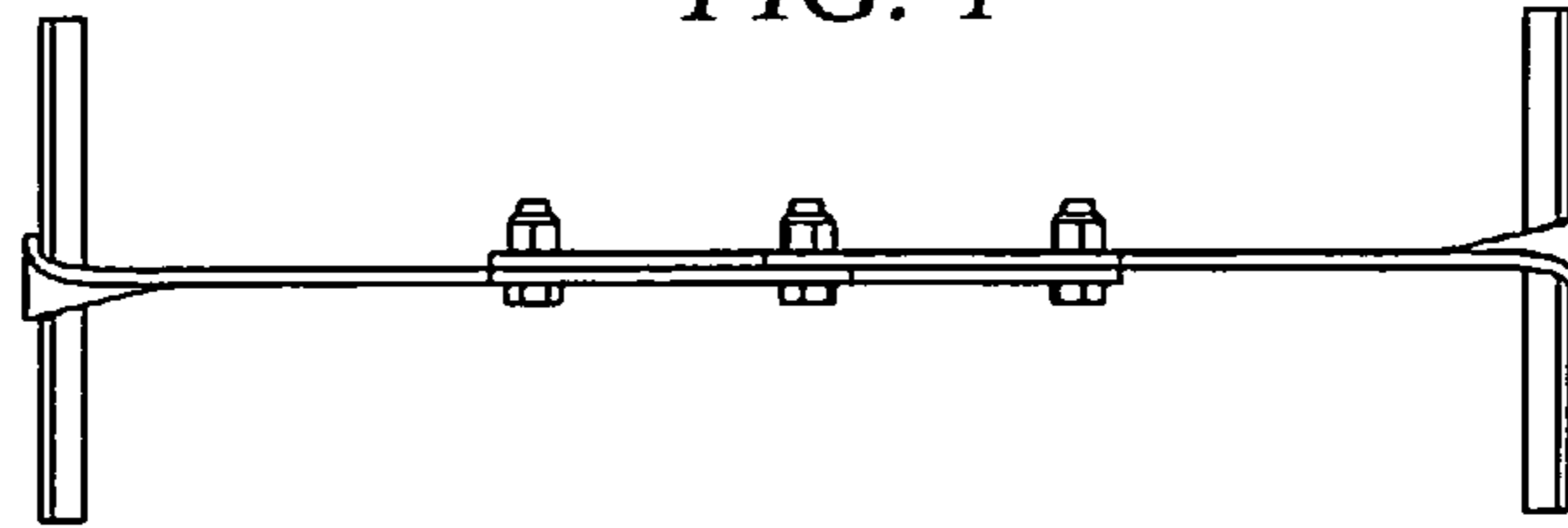


FIG. 2

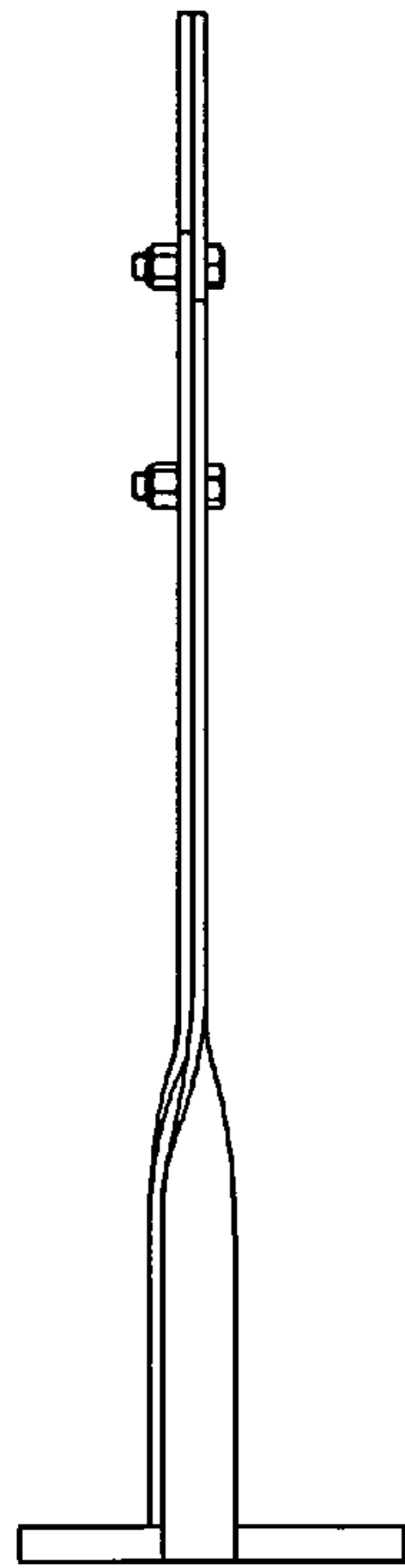


FIG. 3

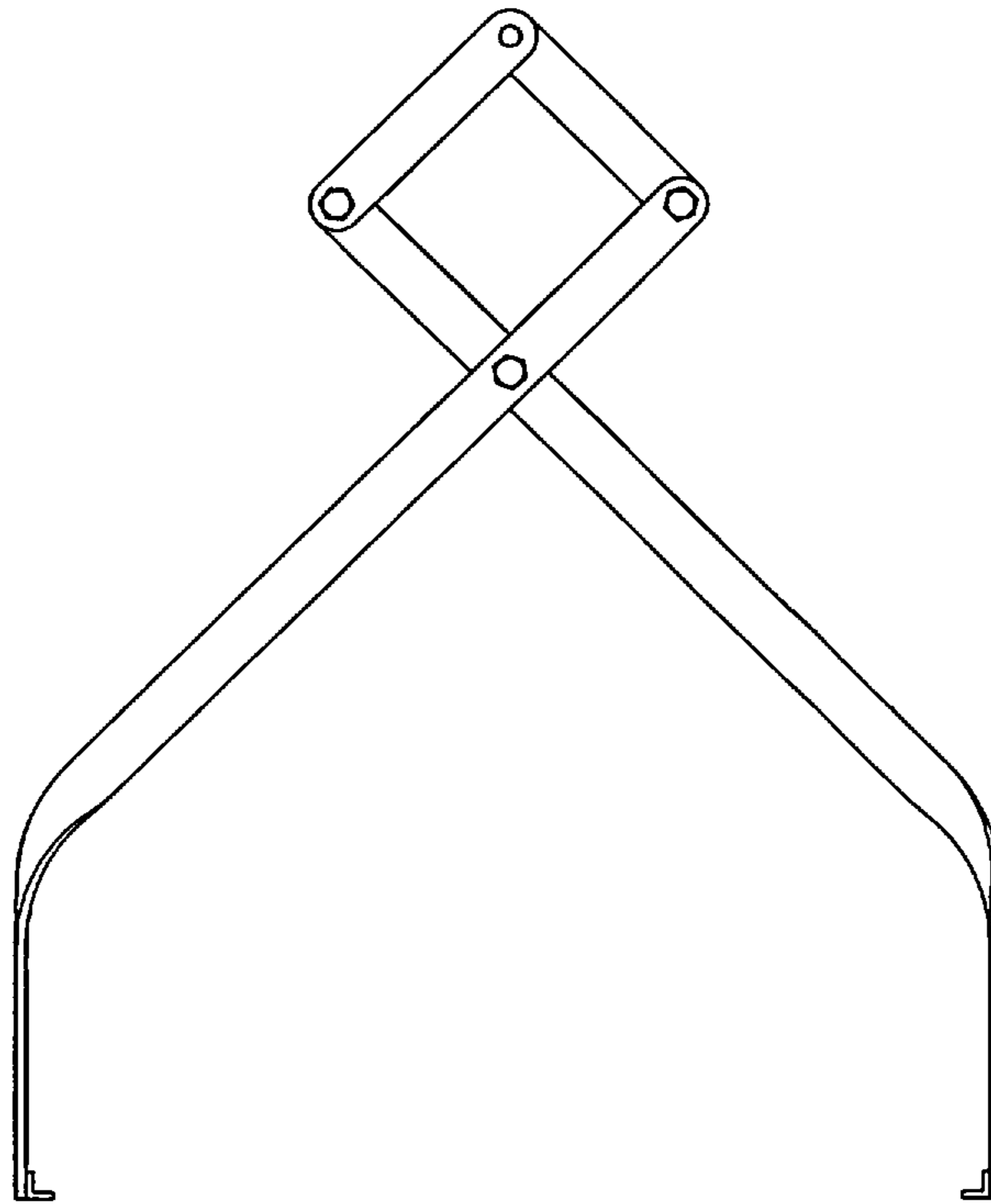


FIG. 4

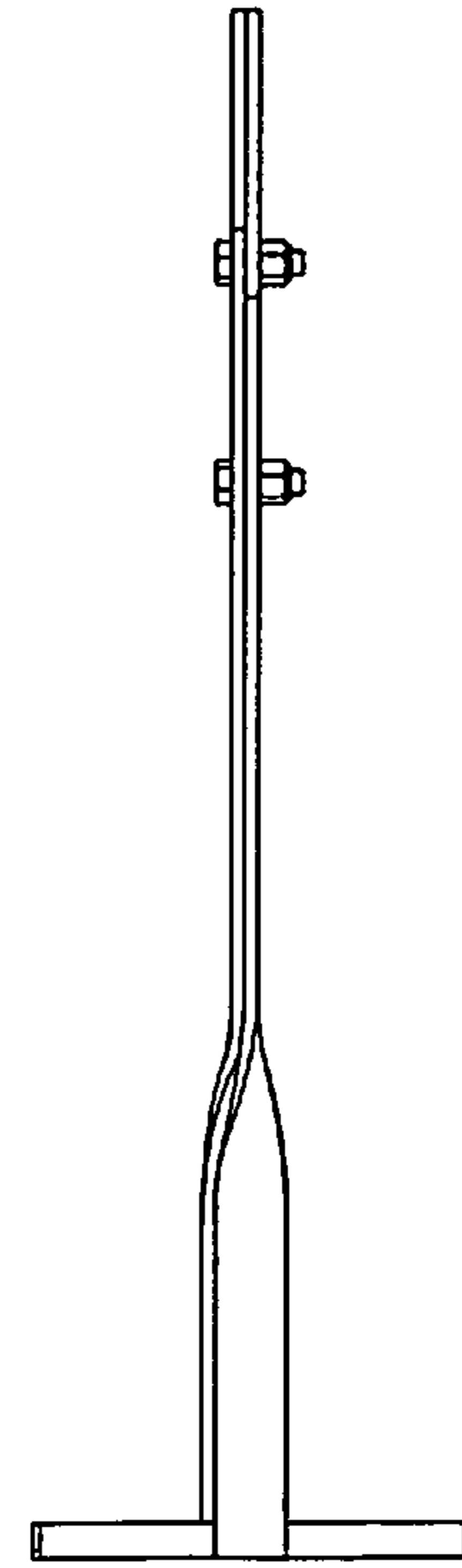


FIG. 5

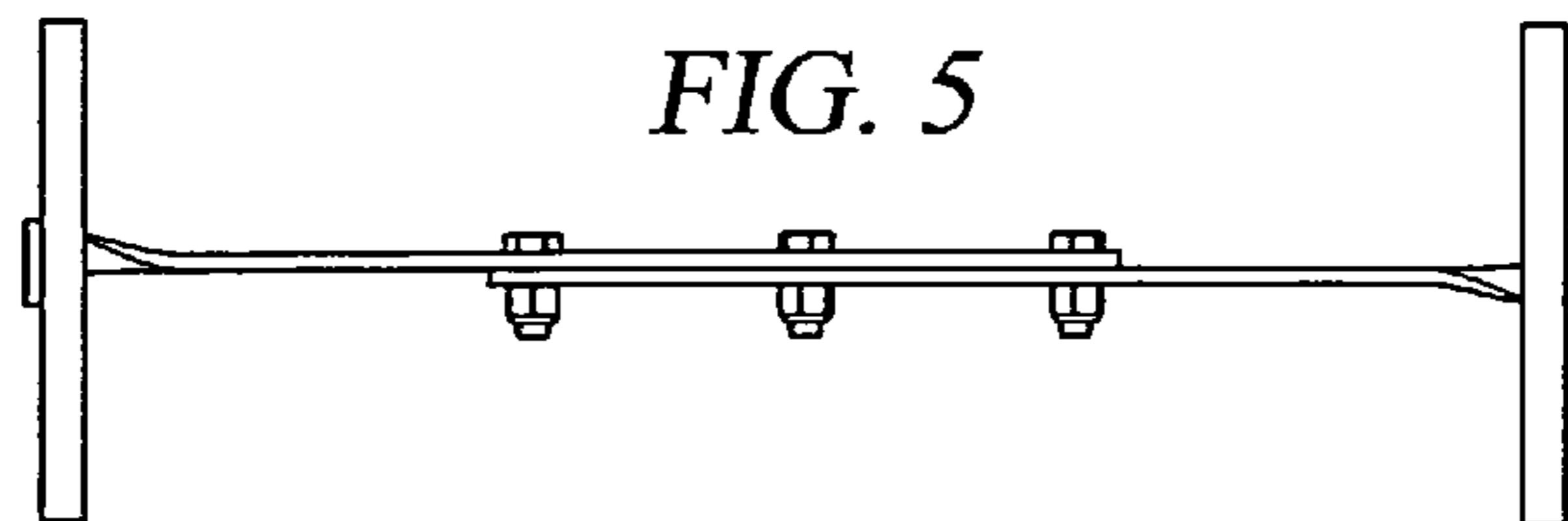


FIG. 6

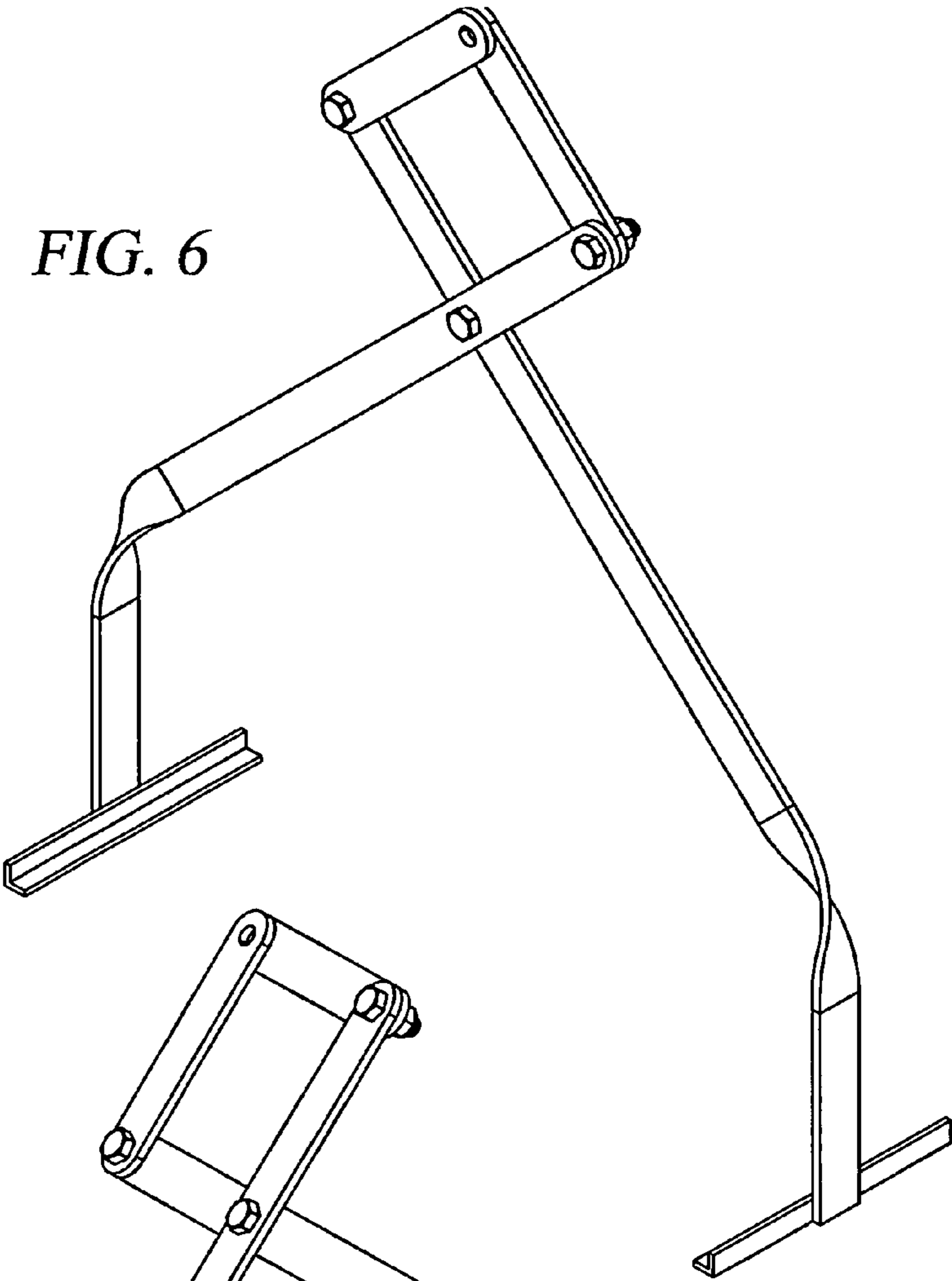


FIG. 7

