



US00D736048S

(12) **United States Design Patent**  
**Vanderheyden et al.**

(10) **Patent No.:** **US D736,048 S**  
(45) **Date of Patent:** **\*\* Aug. 11, 2015**

- (54) **HAND HELD MASKING TOOL**
- (71) Applicant: **3M INNOVATIVE PROPERTIES COMPANY**, St. Paul, MN (US)
- (72) Inventors: **Jacob P. Vanderheyden**, St. Paul, MN (US); **Christian R. Trifilio**, St. Paul, MN (US); **Jeffrey B. Waffensmith**, North Oaks, MN (US)
- (73) Assignee: **3M INNOVATIVE PROPERTIES COMPANY**, St. Paul, MN (US)

4,915,769	A *	4/1990	Heil et al.	156/527
D361,088	S *	8/1995	Poole	D19/69
D369,832	S *	5/1996	Poole	D19/69
5,759,342	A *	6/1998	Luhman et al.	156/577
D401,281	S *	11/1998	Huerta	D19/69
6,497,263	B1	12/2002	Pitzen	
6,502,616	B1 *	1/2003	Row	156/463
7,669,631	B2 *	3/2010	Bailey et al.	156/523
7,819,162	B2 *	10/2010	Pool	156/527
7,921,896	B2 *	4/2011	Andersen	156/577
2006/0144512	A1 *	7/2006	Carroll et al.	156/304.3
2007/0125474	A1 *	6/2007	Barker et al.	156/71
2007/0125475	A1 *	6/2007	Cecilio et al.	156/71

\* cited by examiner

(\*\*) Term: **14 Years**

*Primary Examiner* — Ian Simmons

(21) Appl. No.: **29/479,870**

*Assistant Examiner* — Harold Blackwell, II

(22) Filed: **Jan. 21, 2014**

(74) *Attorney, Agent, or Firm* — Irina Hass

(51) **LOC (10) Cl.** ..... **08-05**

(57) **CLAIM**

(52) **U.S. Cl.**  
USPC ..... **D8/51**; D19/67

The ornamental design for a hand held masking tool, as shown and described.

(58) **Field of Classification Search**  
USPC ..... D8/51; 156/71, 577, 527, 523, 579, 156/378, 554, 304.1, 574, 304.3; 242/422.5; D19/67, 69  
CPC ..... B65H 35/0033; B65H 35/004  
See application file for complete search history.

**DESCRIPTION**

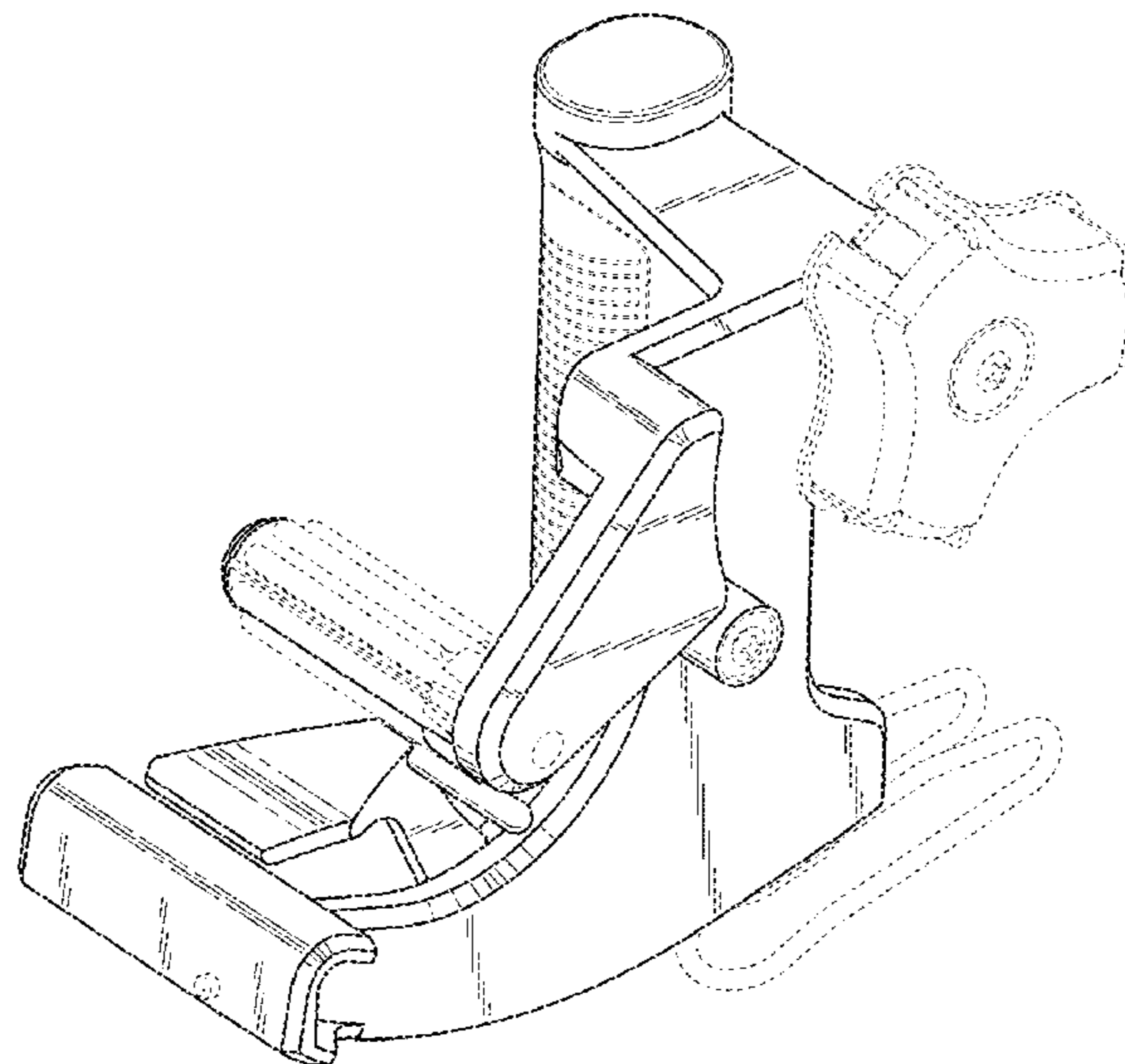
(56) **References Cited**

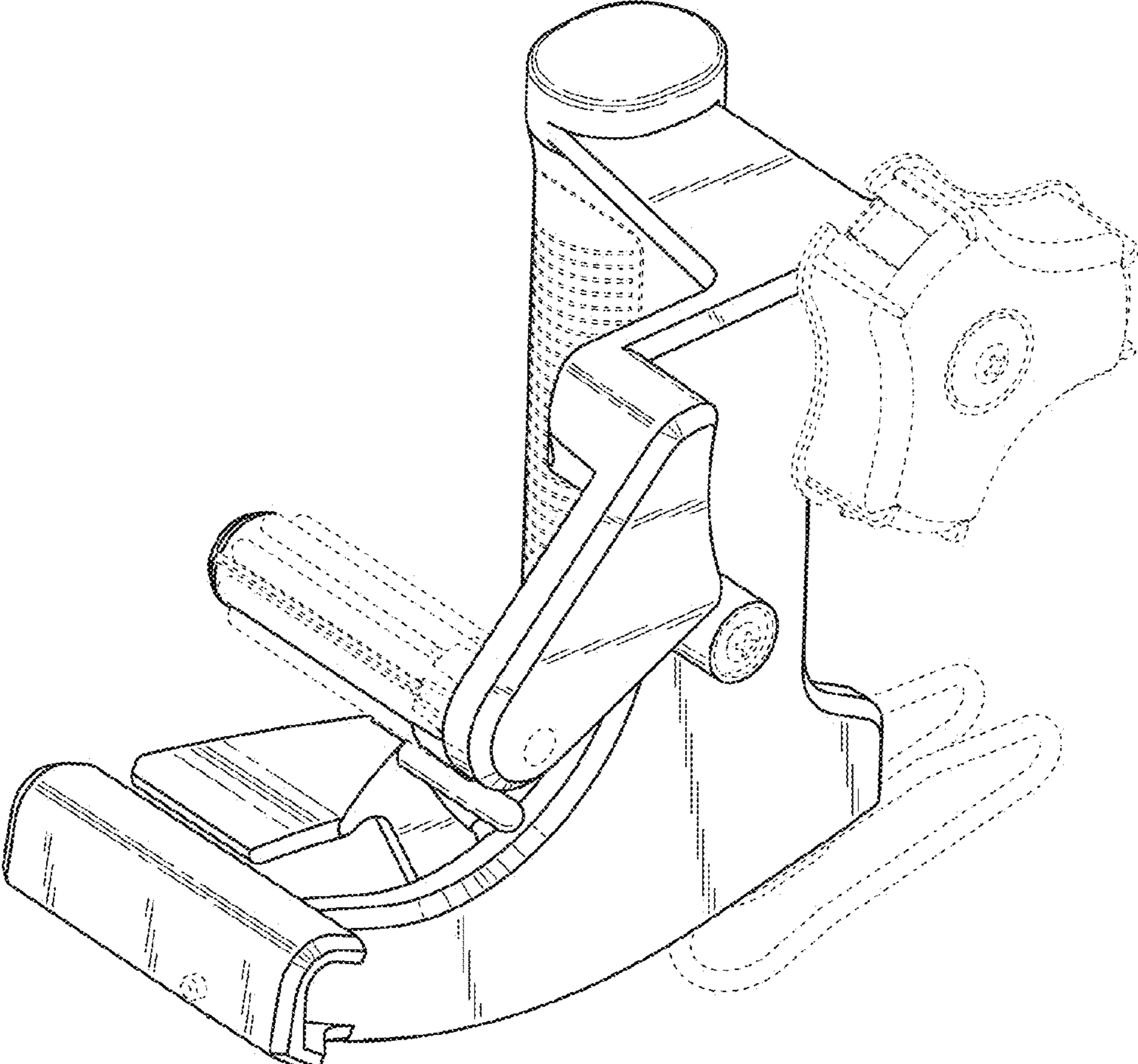
U.S. PATENT DOCUMENTS

D175,505	S *	9/1955	Larsen	D19/69
D180,527	S *	6/1957	Polster	D19/69
D227,810	S *	7/1973	Boyce	D19/69
3,950,214	A *	4/1976	Pool et al.	156/527
4,096,021	A *	6/1978	Pool et al.	156/527
RE30,787	E *	11/1981	Pool et al.	156/527
4,588,469	A *	5/1986	Hunter	156/527
4,667,891	A *	5/1987	Pool	242/422.5

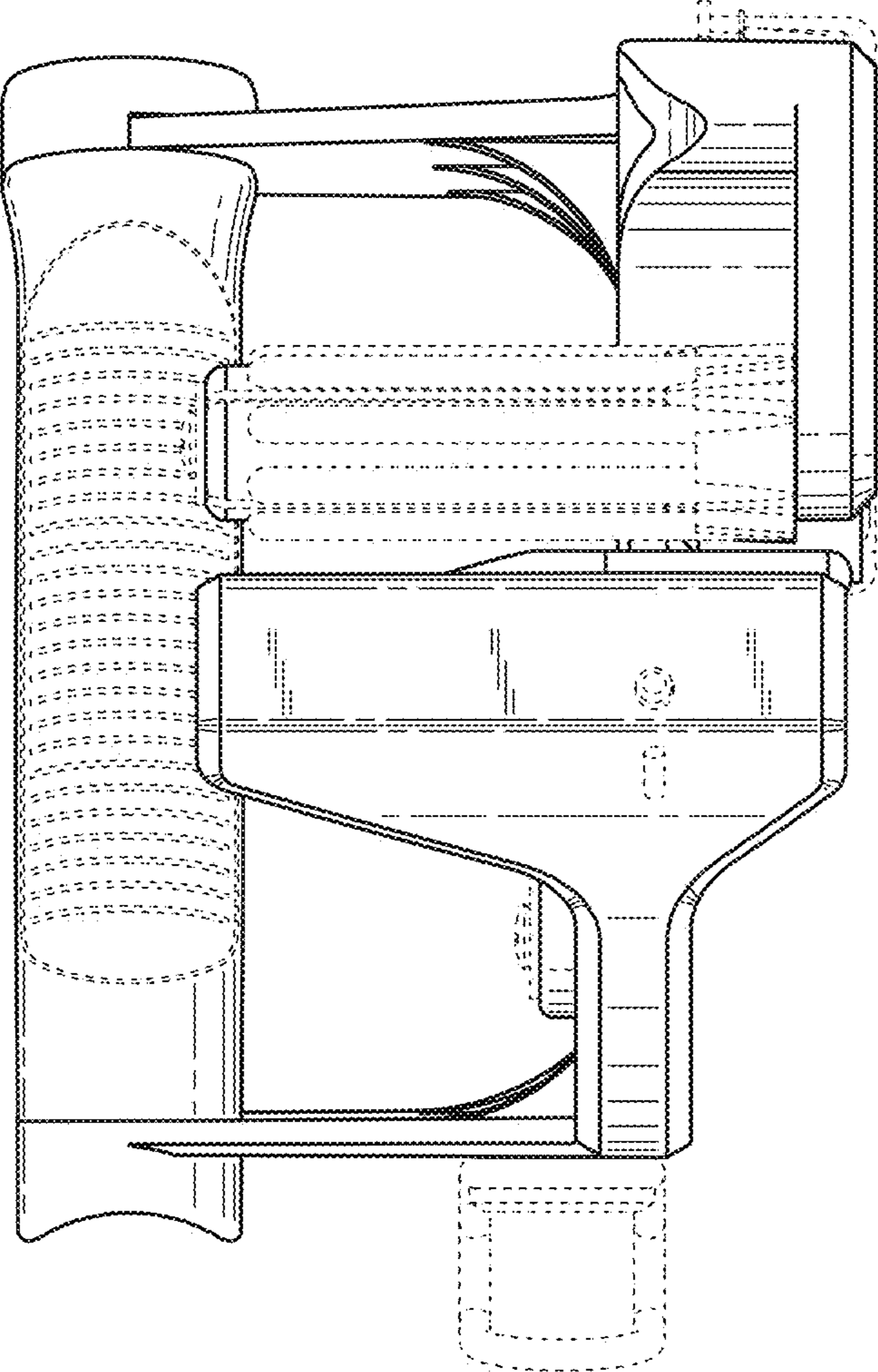
FIG. 1 is a perspective view showing the new design for a hand held masking tool;  
FIG. 2 is a front view thereof;  
FIG. 3 is a rear view thereof;  
FIG. 4 is a right side view thereof;  
FIG. 5 is a left side view thereof;  
FIG. 6 is a top view thereof;  
FIG. 7 is a bottom view thereof; and,  
FIG. 8 is a perspective view thereof showing the hand held masking tool with a blade.  
The portions of the hand held masking tool in Figures shown in broken lines are included to show features that form no part of the claimed design.

**1 Claim, 8 Drawing Sheets**

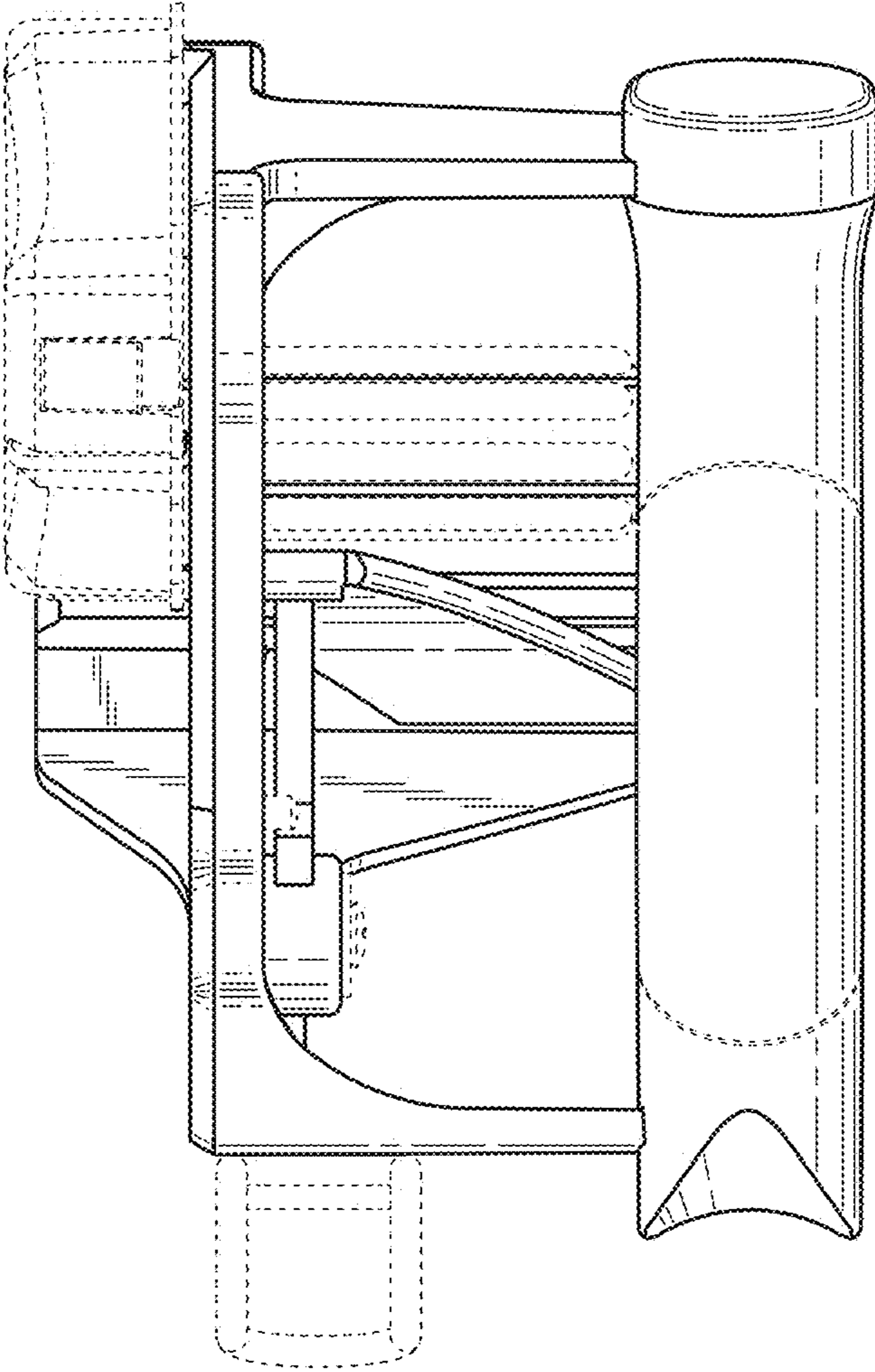




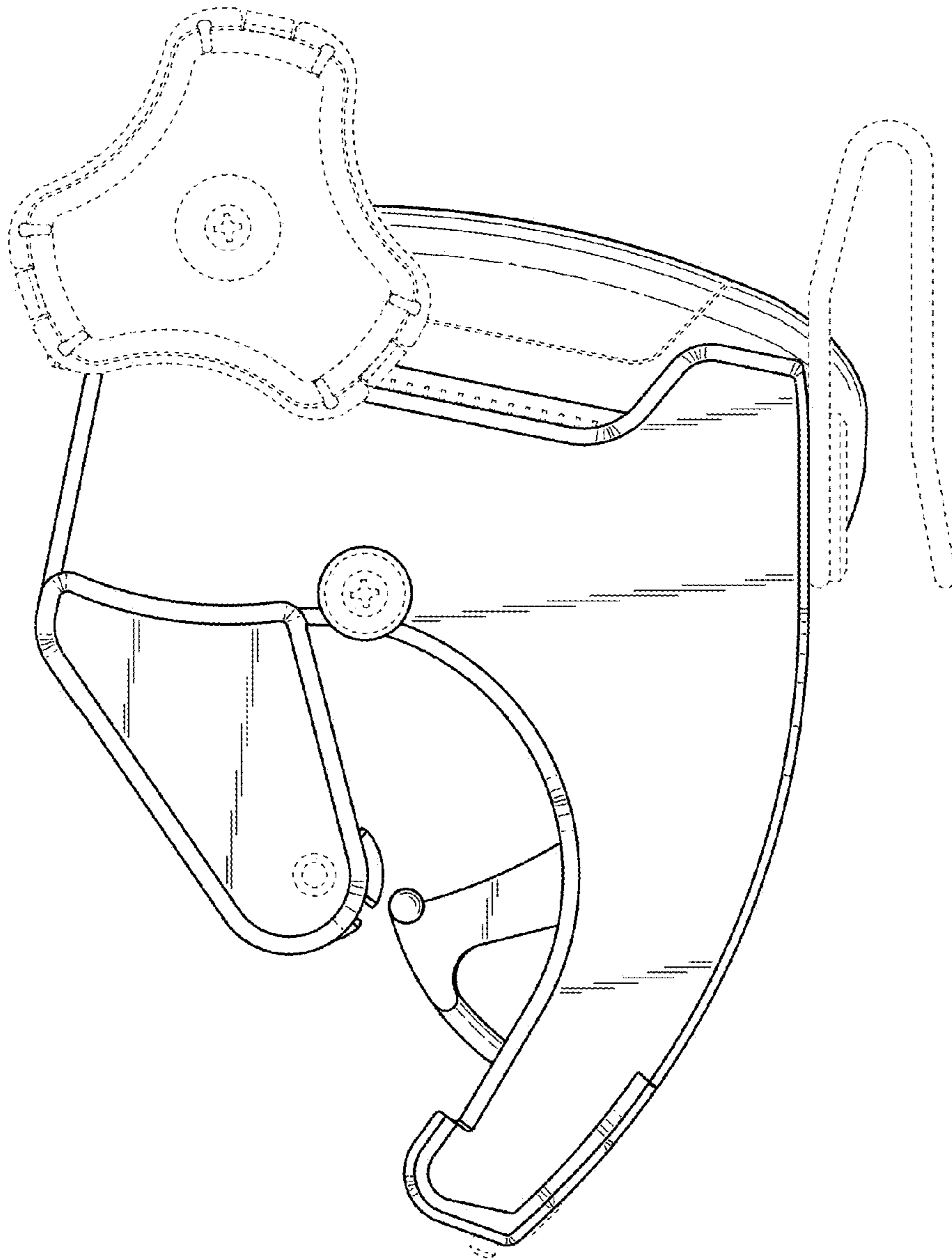
*Fig. 1*



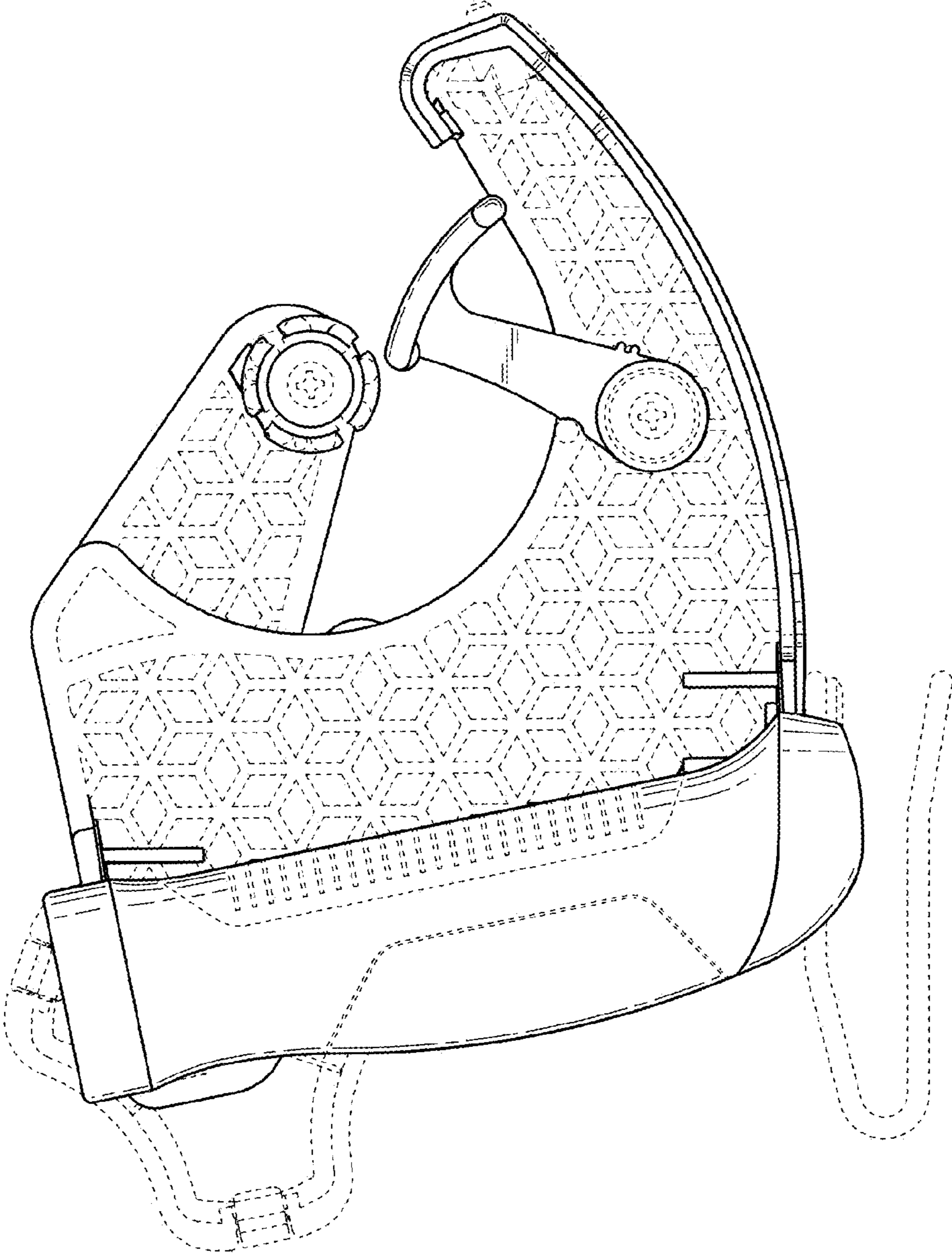
*Fig. 2*



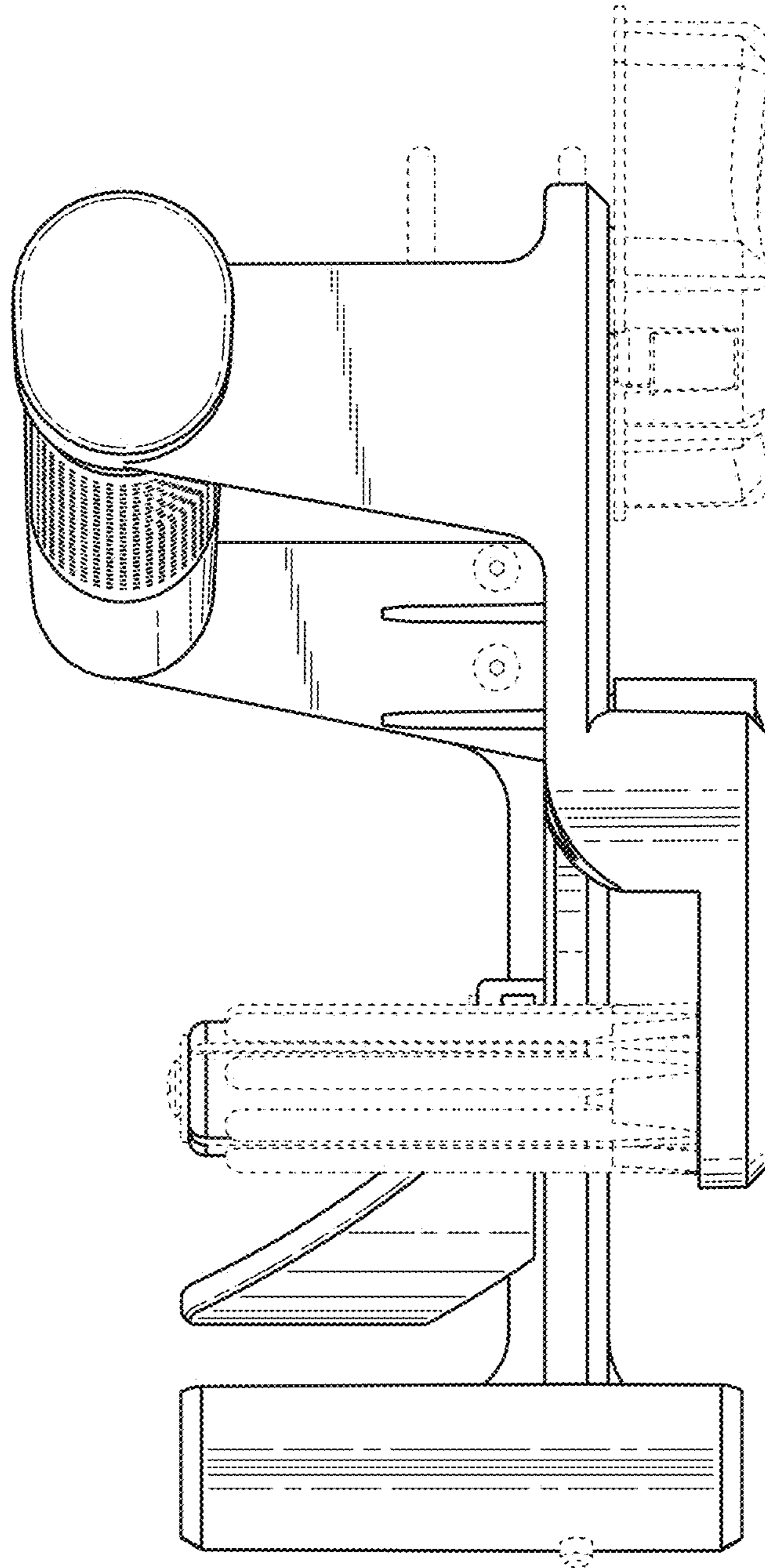
*Fig. 3*



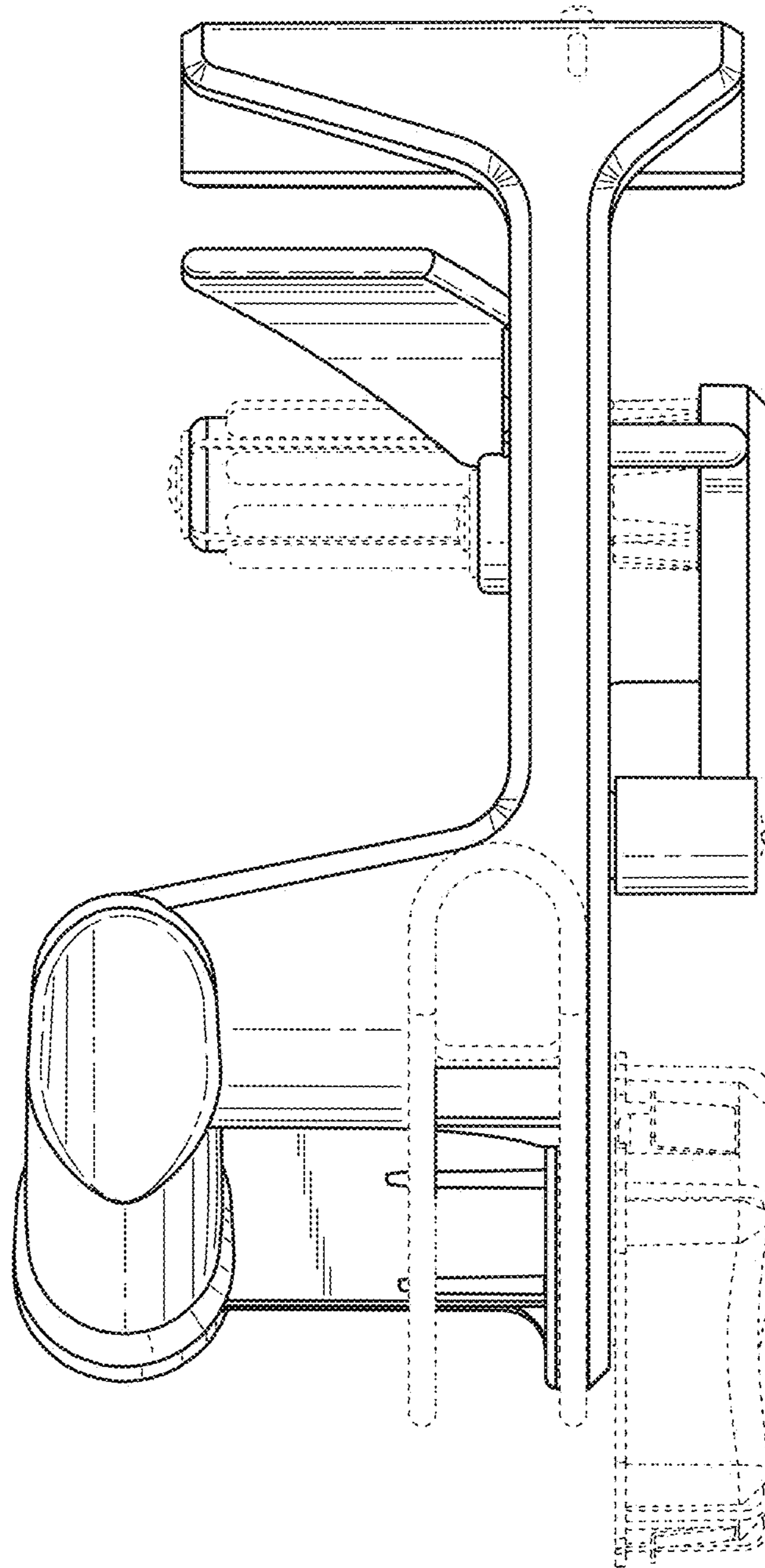
*Fig. 4*



*Fig. 5*

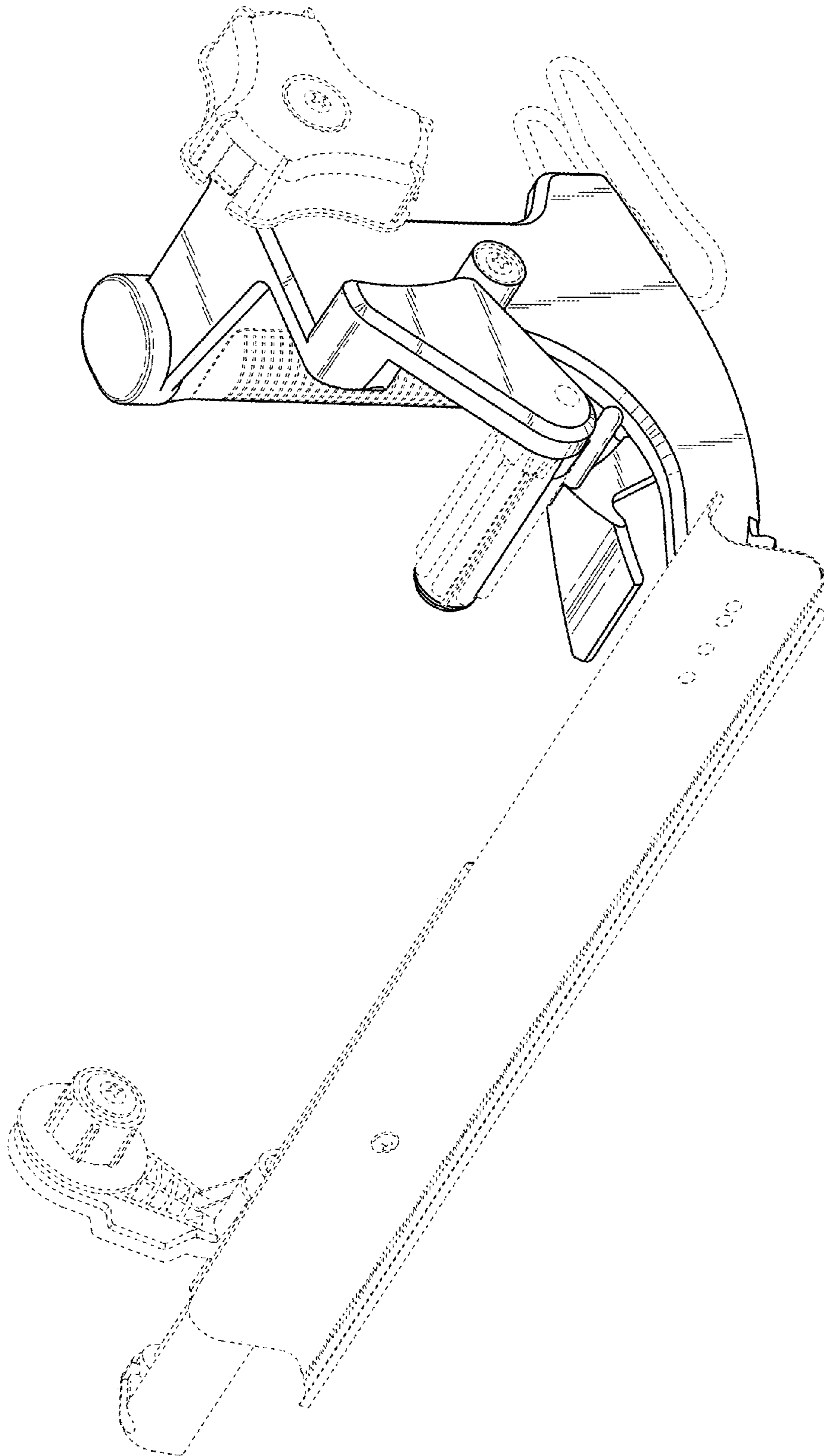


*Fig. 6*



*Fig. 7*





*Fig. 8*