



US00D736047S

(12) **United States Design Patent**
Kasaba et al.

(10) **Patent No.:** **US D736,047 S**

(45) **Date of Patent:** **** Aug. 11, 2015**

- (54) **MODULE EXTRACTION TOOL**
- (71) Applicants: **Michael E. Kasaba**, Ventura, CA (US);
Brian R. Huff, Newbury Park, CA (US);
Russell Davis, Thousand Oaks, CA (US)
- (72) Inventors: **Michael E. Kasaba**, Ventura, CA (US);
Brian R. Huff, Newbury Park, CA (US);
Russell Davis, Thousand Oaks, CA (US)
- (73) Assignee: **Artisan Vehicle Systems, Inc.**,
Camarillo, CA (US)
- (**) Term: **14 Years**

| | | | | |
|-----------|------|---------|-----------------|-----------|
| 1,832,409 | A * | 11/1931 | Mueller | 294/168 |
| 1,833,342 | A * | 11/1931 | Tomlinson | 294/118 |
| D141,742 | S * | 7/1945 | Podjus | D8/51 |
| 2,638,490 | A * | 5/1953 | Snyder | 429/96 |
| 2,829,917 | A * | 4/1958 | Wiora | 294/90 |
| 2,847,243 | A * | 8/1958 | Hare | 294/16 |
| D222,228 | S * | 10/1971 | Kreps | D8/51 |
| 4,215,889 | A * | 8/1980 | Rayburn | 294/118 |
| D305,719 | S * | 1/1990 | Babcock | D8/14 |
| 5,259,654 | A * | 11/1993 | Lacey | 294/110.1 |
| 5,868,357 | A * | 2/1999 | Gabriel | 244/137.1 |
| 6,481,767 | B2 * | 11/2002 | Pool | 294/16 |
| D598,174 | S * | 8/2009 | Lindberg | D34/33 |
| D634,593 | S * | 3/2011 | Kavanagh et al. | D8/4 |
| D663,093 | S * | 7/2012 | Brewer | D34/33 |
| 8,985,655 | B2 * | 3/2015 | Kavanagh et al. | 294/118 |

* cited by examiner

- (21) Appl. No.: **29/463,112**
- (22) Filed: **Jul. 31, 2013**
- (51) **LOC (10) Cl.** **08-05**
- (52) **U.S. Cl.**
USPC **D8/51**
- (58) **Field of Classification Search**
USPC D8/51, 52, 4, 14, 71; D34/33; 429/96;
294/90, 16, 168, 119, 118, 110.1, 106,
294/903; 244/137.1; D15/28
CPC Y10S 294/903
See application file for complete search history.

Primary Examiner — Ian Simmons
Assistant Examiner — Harold Blackwell, II

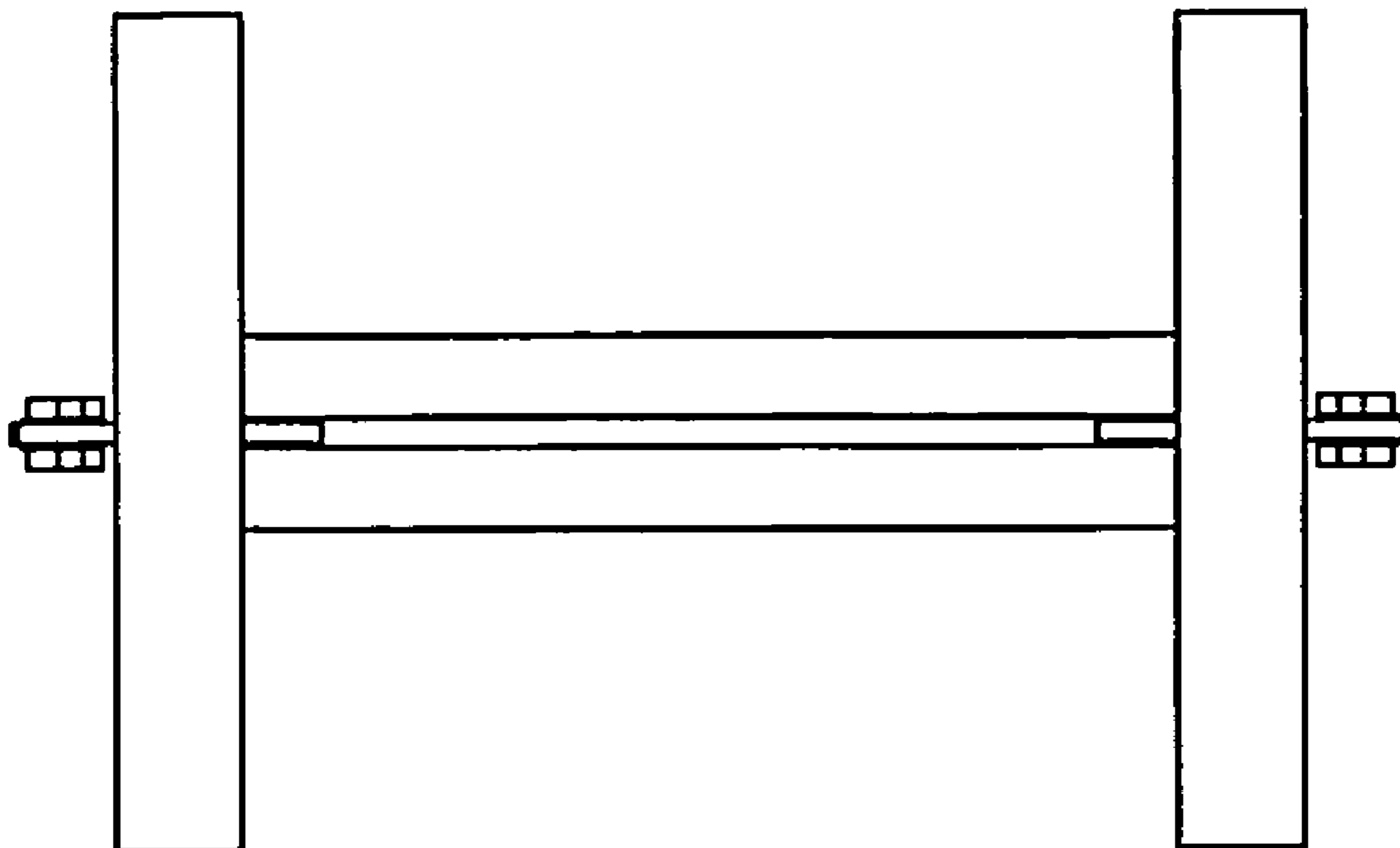
(57) **CLAIM**
The ornamental design for a module extraction tool, as shown.

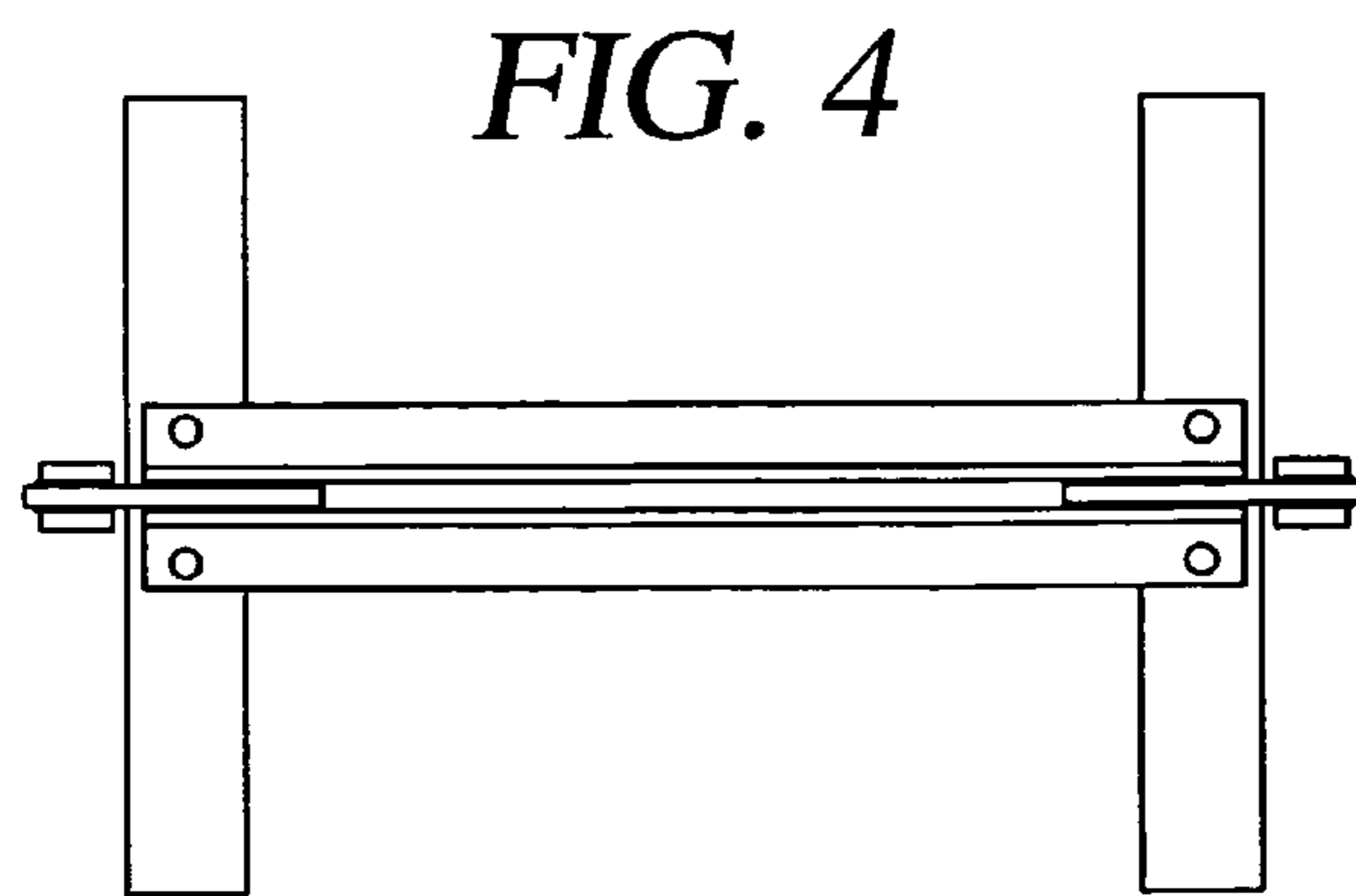
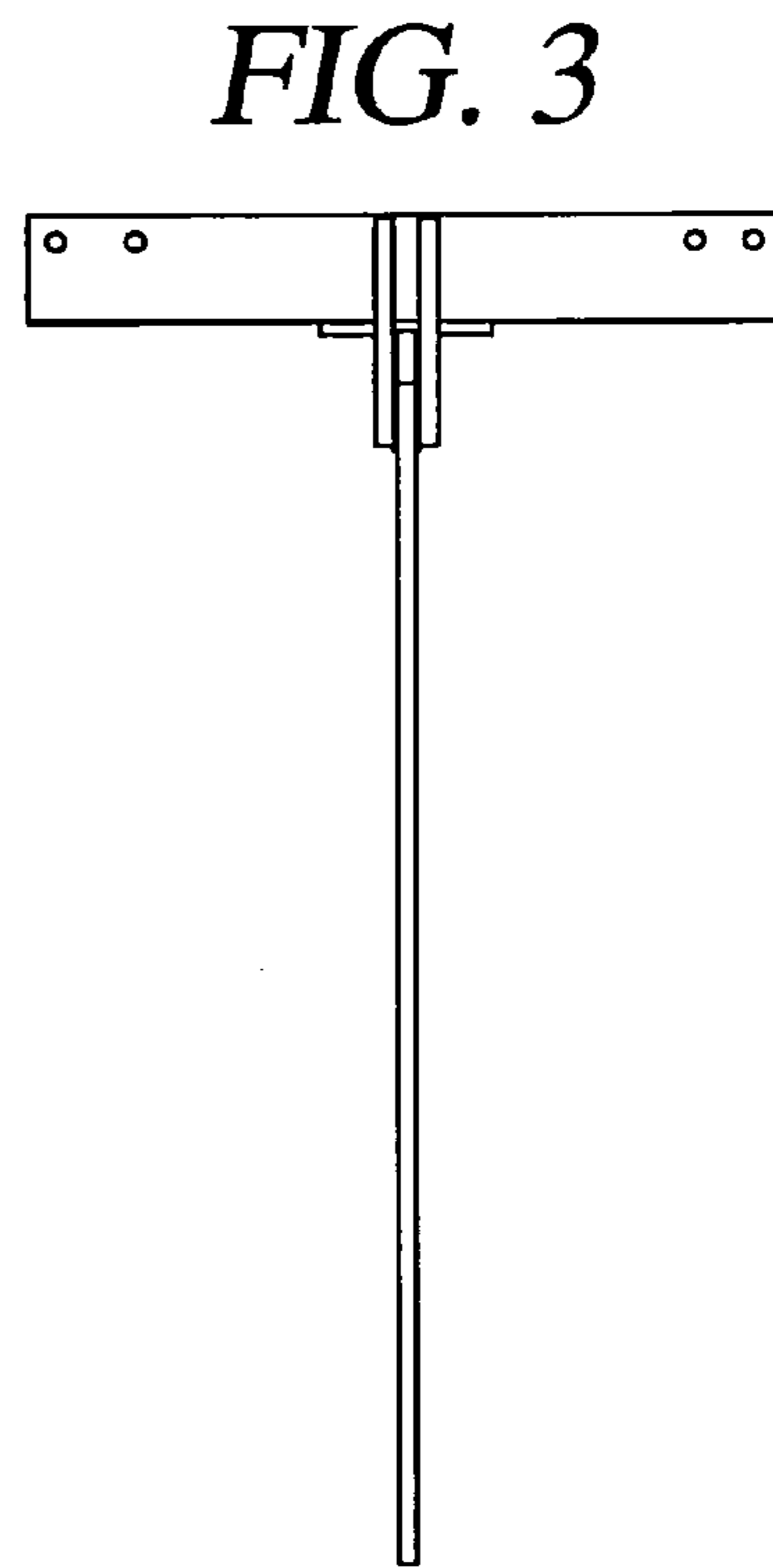
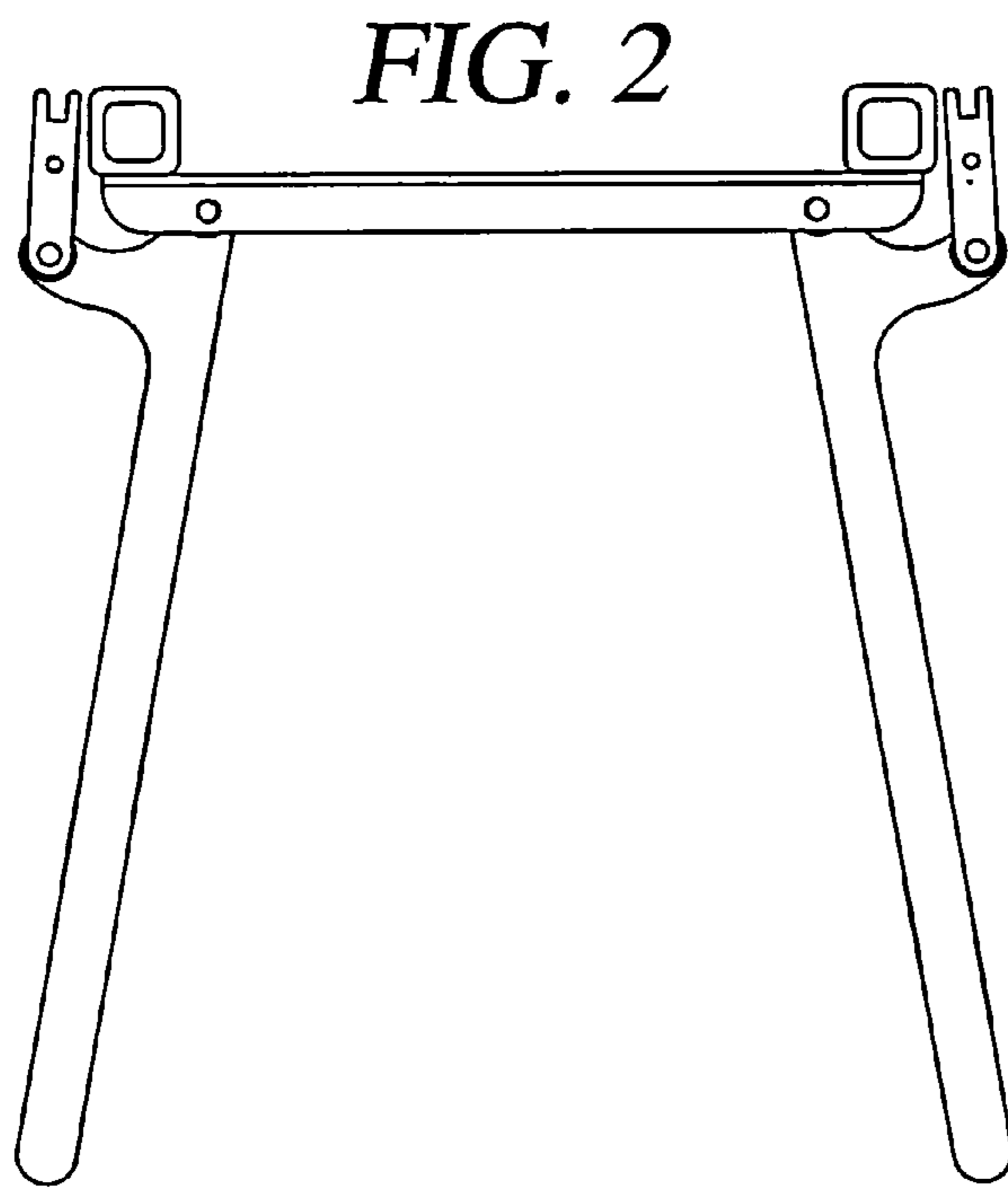
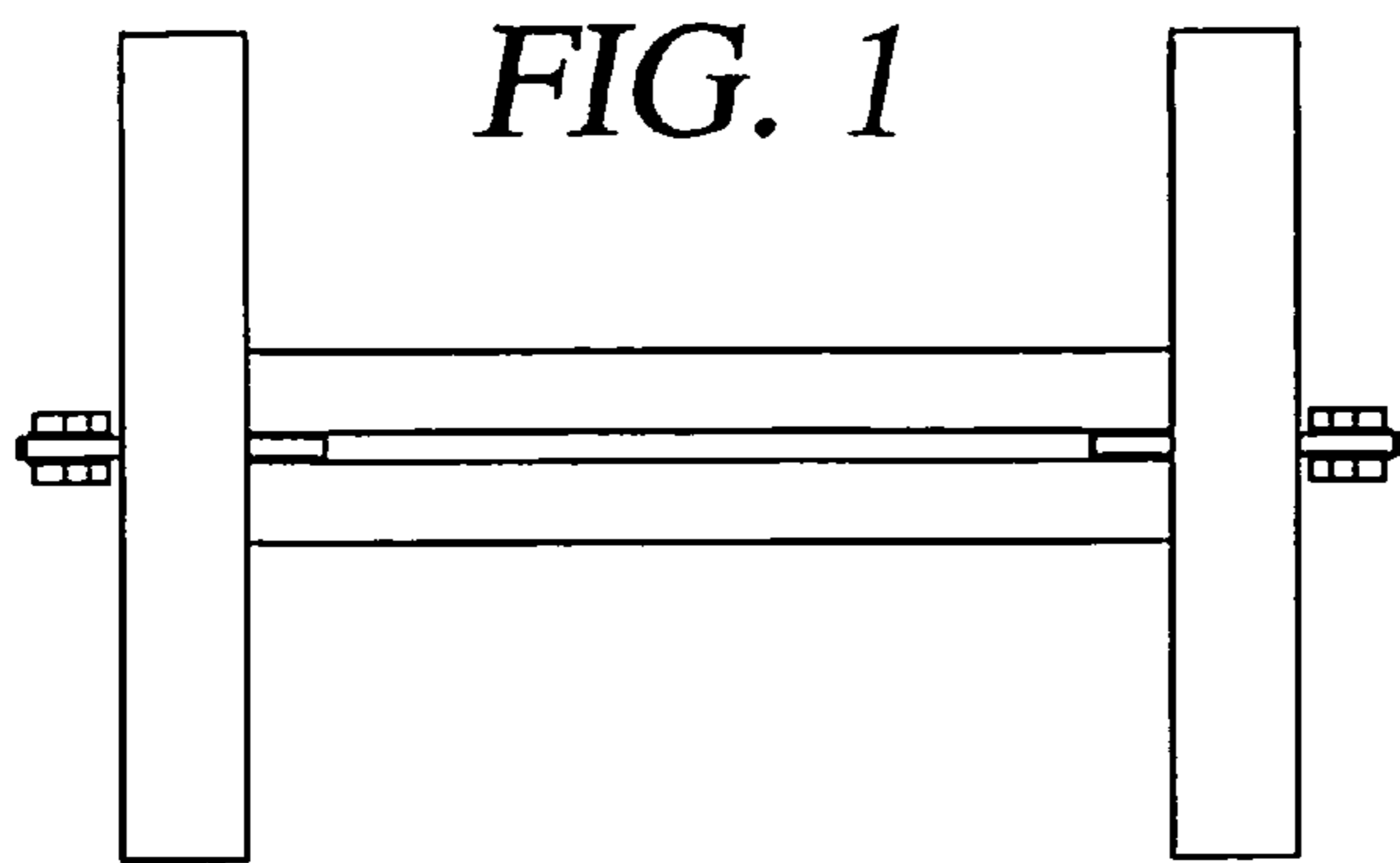
- (56) **References Cited**
U.S. PATENT DOCUMENTS
1,576,060 A * 3/1926 Moss 294/119
1,778,572 A * 10/1930 Taylor 294/118

DESCRIPTION

FIG. 1 is a top view of our module extraction tool showing our new design;
FIG. 2 is a front view thereof;
FIG. 3 is a left side view thereof;
FIG. 4 is a bottom view thereof;
FIG. 5 is a top front view thereof; and,
FIG. 6 is a bottom rear view thereof.

1 Claim, 2 Drawing Sheets





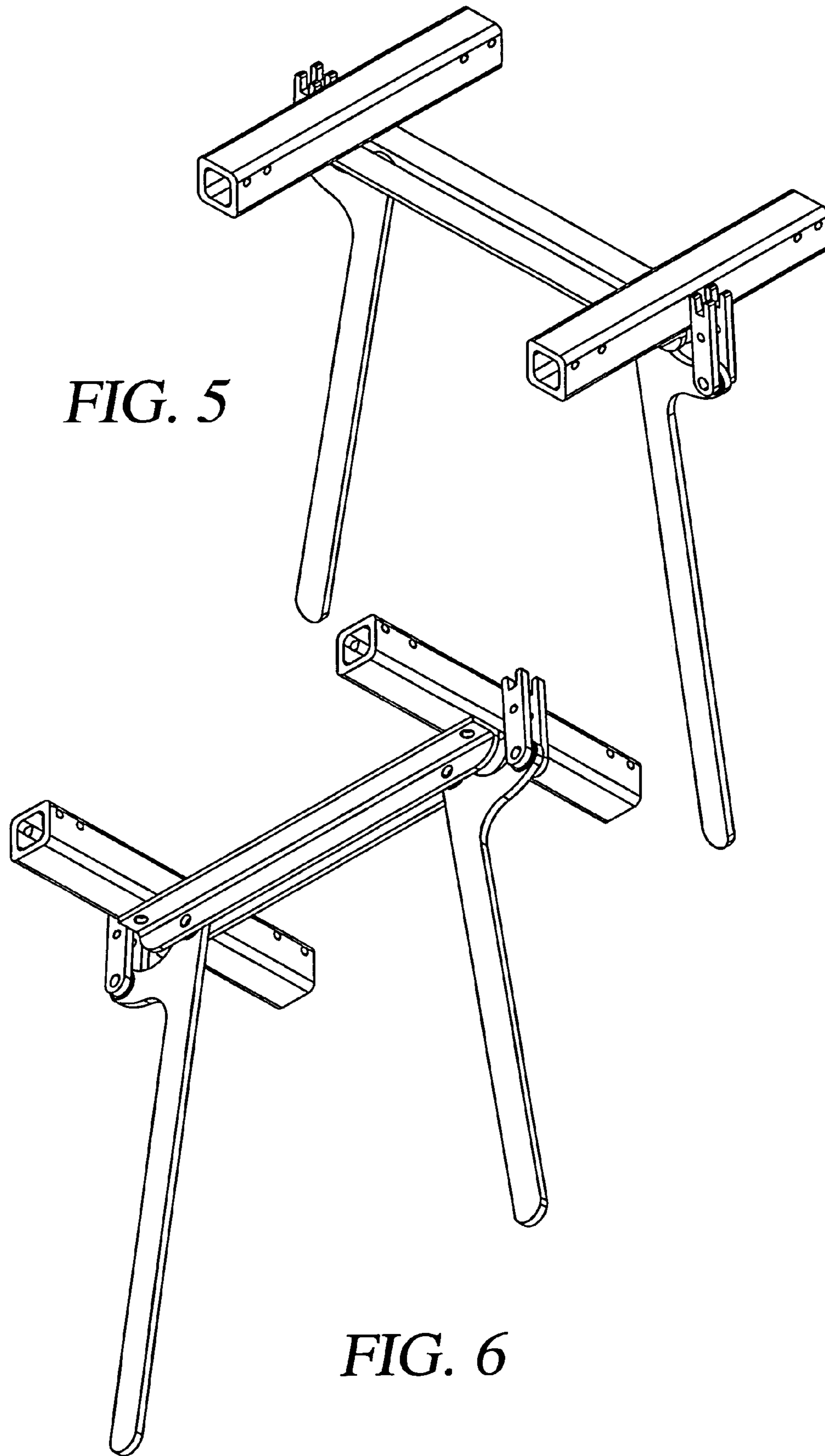


FIG. 5

FIG. 6