

US00D736045S

(12) **United States Design Patent**  
**Turner**

(10) **Patent No.:** **US D736,045 S**

(45) **Date of Patent:** **\*\* Aug. 11, 2015**

(54) **CEILING FAN SWITCH CONTROL TOOL**

D631,319 S \* 1/2011 Davis ..... D8/88  
D661,558 S \* 6/2012 Oymaian ..... D8/17  
D673,019 S \* 12/2012 Pyle ..... D8/14  
D687,271 S \* 8/2013 McDougal et al. .... D8/14

(71) Applicant: **Marvin E. Turner**, Senoia, GA (US)

(72) Inventor: **Marvin E. Turner**, Senoia, GA (US)

\* cited by examiner

(\*\*) Term: **14 Years**

*Primary Examiner* — Phillip S Hyder

(21) Appl. No.: **29/479,273**

(74) *Attorney, Agent, or Firm* — Crossley Patent Law

(22) Filed: **Jan. 14, 2014**

(51) **LOC (10) Cl.** ..... **08-05**

(52) **U.S. Cl.**

USPC ..... **D8/14; D8/16**

(58) **Field of Classification Search**

USPC ..... D8/14, 16, 17, 18, 349, 354

CPC ..... Y10T 16/473; H01H 23/141; B25J 1/04;

A47F 13/06

See application file for complete search history.

(57) **CLAIM**

The ornamental design for a ceiling fan switch control tool, as shown and described.

**DESCRIPTION**

FIG. 1 is a front elevation view of a ceiling fan switch control tool showing my new design, the rear elevation view being a mirror image;

FIG. 2 is a right side view thereof;

FIG. 3 is a left side elevation view thereof;

FIG. 4 is a top plan view thereof, the bottom plan view being the same but inverted;

FIG. 5 is an isometric view of the ceiling fan switch control tool, wherein the tool is engaging an on/off switch on a ceiling fan; and,

FIG. 6 is an isometric view of the ceiling fan switch control tool, wherein the tool is engaging a pull chain for a ceiling fan. The broken lines in FIGS. 5 and 6 of the drawings depict environmental subject matter only and form no part of the claimed design.

(56) **References Cited**

U.S. PATENT DOCUMENTS

D264,796 S \* 6/1982 Frick et al. .... D8/17  
D268,473 S \* 4/1983 Rust ..... D8/17  
4,899,050 A \* 2/1990 Cianflone ..... 200/331  
5,207,126 A \* 5/1993 Schaben ..... 81/45  
D363,009 S \* 10/1995 Culp ..... D8/19  
5,498,845 A 3/1996 Browning  
5,951,074 A 9/1999 Guzzi et al.  
D416,178 S \* 11/1999 Moore et al. .... D8/16  
6,242,704 B1 6/2001 Ambrose et al.  
D482,113 S \* 11/2003 Jones ..... D23/411

**1 Claim, 3 Drawing Sheets**

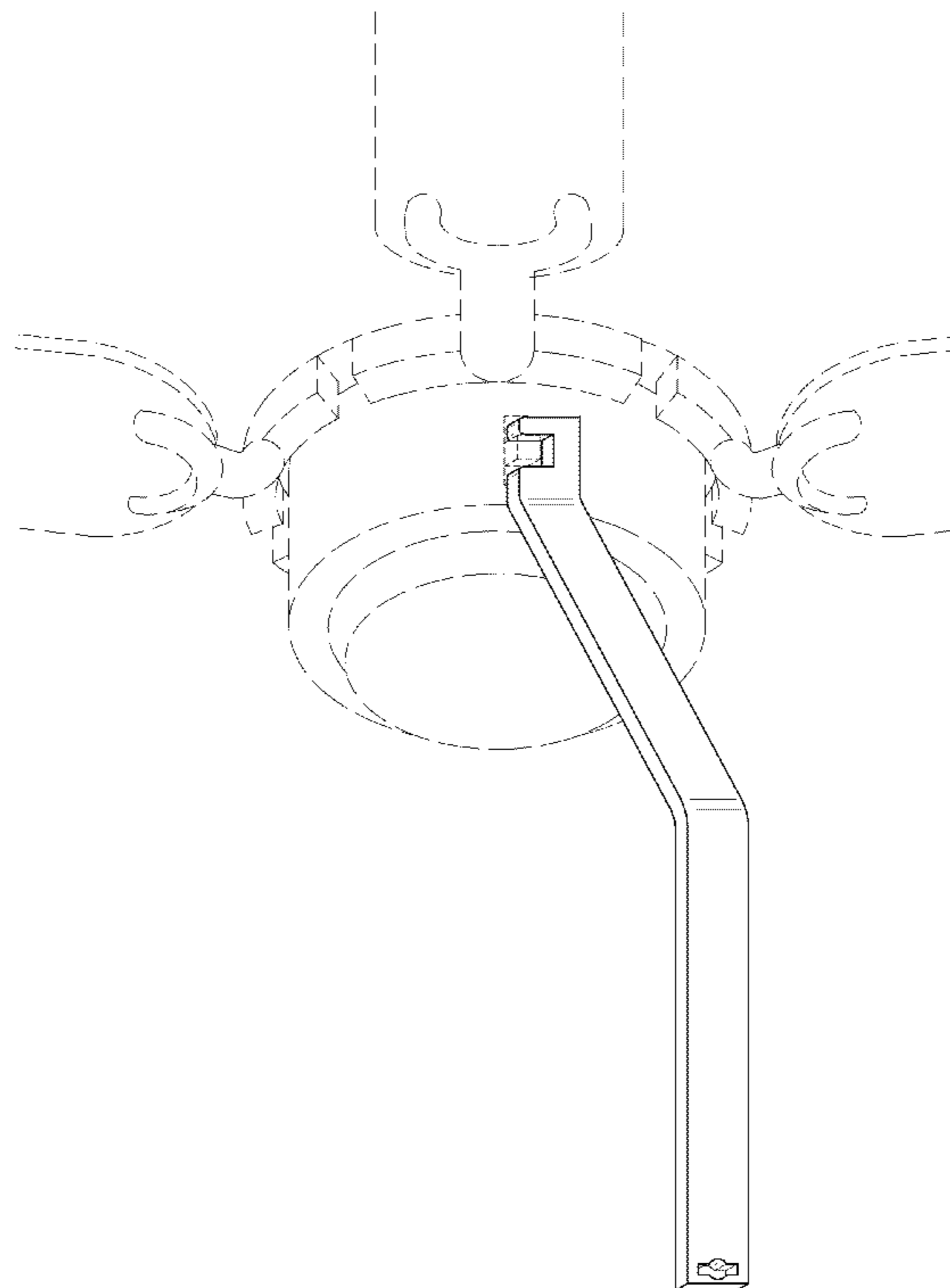




FIG. 1

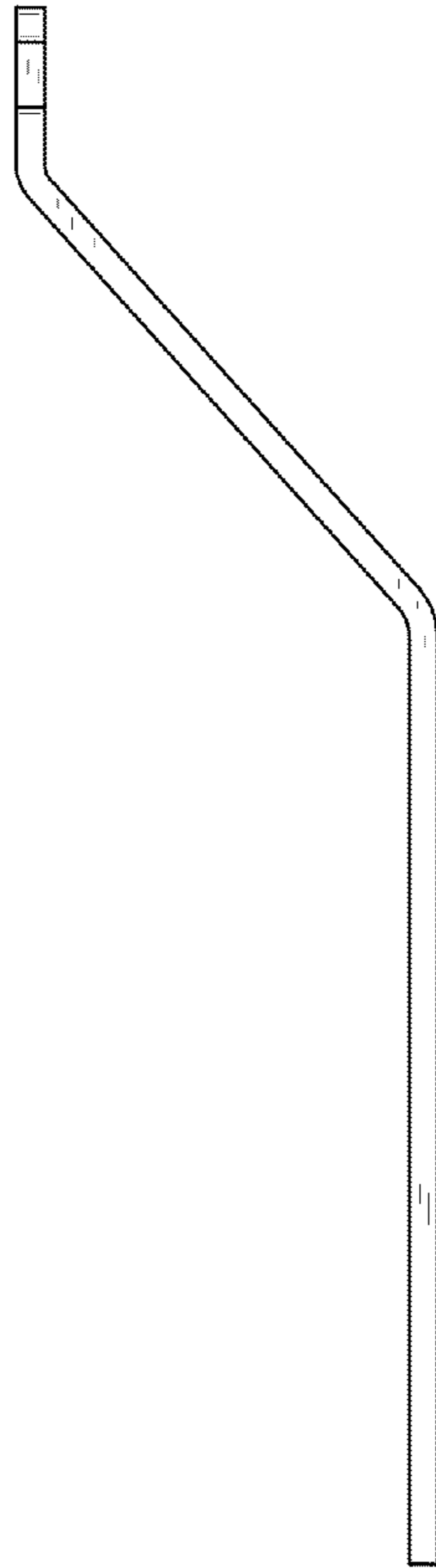


FIG. 2

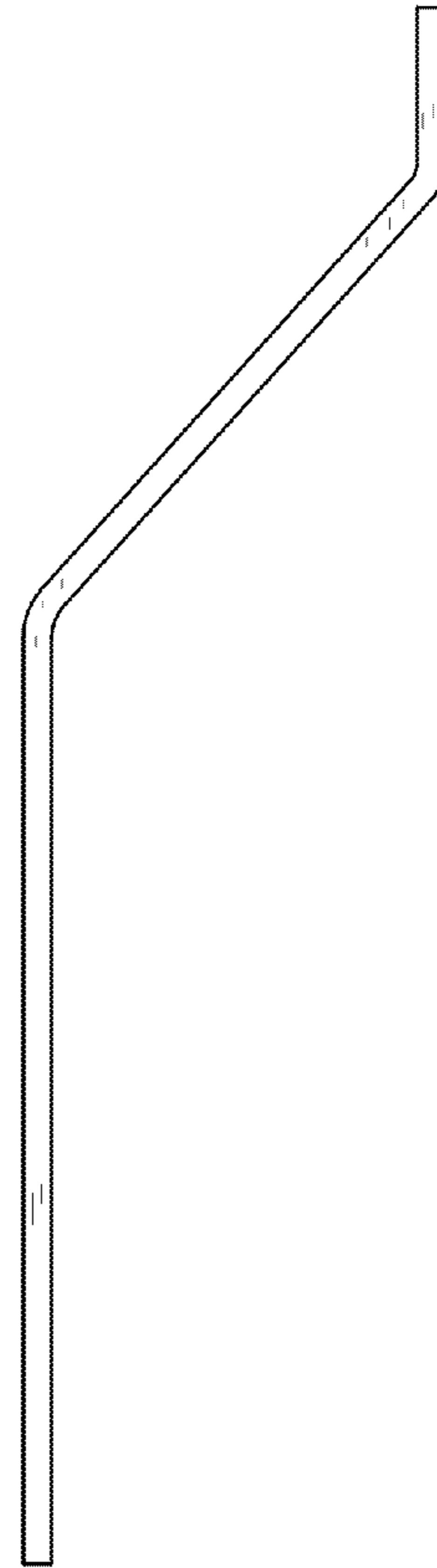


FIG. 3



FIG. 4

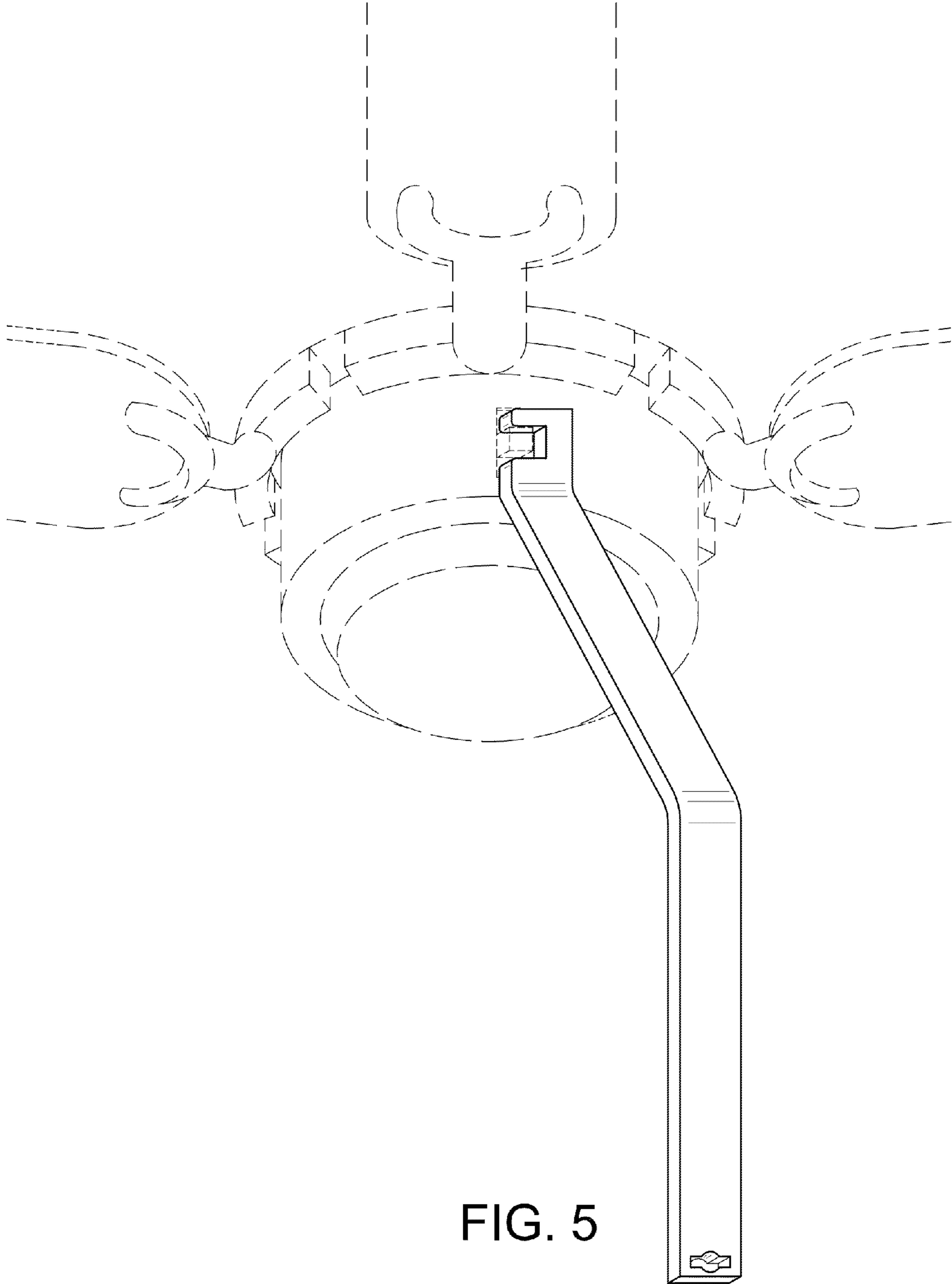


FIG. 5

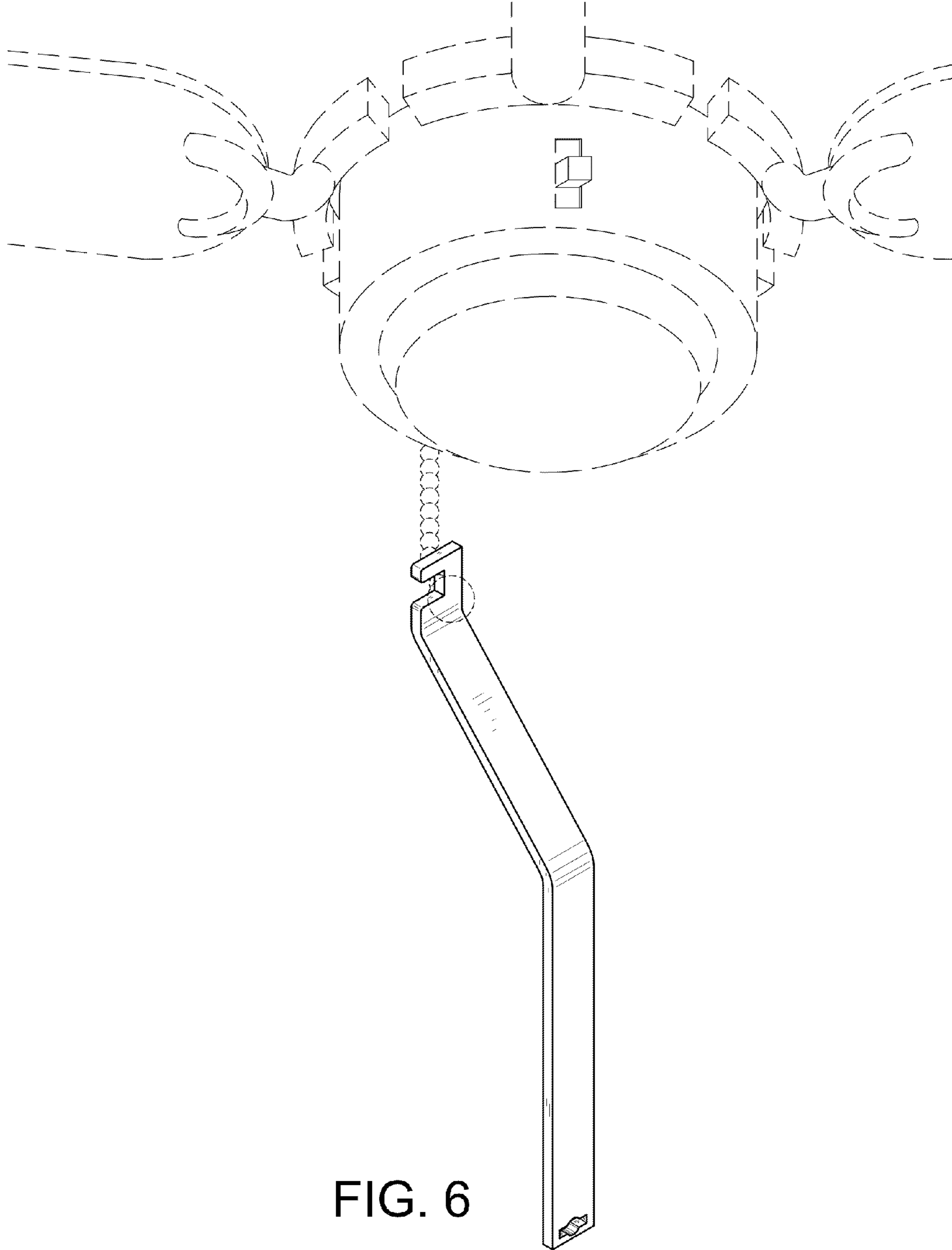


FIG. 6