



US00D736044S

(12) **United States Design Patent**  
**Nemoto**

(10) **Patent No.:** **US D736,044 S**  
(45) **Date of Patent:** **\*\* Aug. 11, 2015**

(54) **CHOPPING BOARD**

(71) Applicant: **Kodai Sangyo Co., Ltd.**, Motomiya-shi,  
Fukushima (JP)

(72) Inventor: **Masaaki Nemoto**, Motomiya (JP)

(73) Assignee: **KODAI SANGYO CO., LTD.**,  
Motomiya-Shi (JP)

(\*\*) Term: **14 Years**

(21) Appl. No.: **29/470,744**

(22) Filed: **Oct. 24, 2013**

(30) **Foreign Application Priority Data**

Aug. 30, 2013 (JP) ..... 2013-020159

(51) **LOC (10) Cl.** ..... **07-04**

(52) **U.S. Cl.**  
USPC ..... **D7/698**

(58) **Field of Classification Search**

USPC ..... D7/398, 543, 549, 550.1, 586,  
D7/698-699; D32/55-57  
CPC ..... A21B 3/00; A22C 25/06; A47J 47/00;  
A47J 47/005; A47J 47/20; B26D 7/0006;  
B26D 7/018; B26D 7/20; B23D 21/00;  
B23K 37/04; B23K 37/053; B23Q 16/001  
See application file for complete search history.

(56) **References Cited**

**U.S. PATENT DOCUMENTS**

120,394 A \* 10/1871 Peterson ..... 269/302.1  
3,736,088 A \* 5/1973 Jimenez ..... 425/218  
D555,987 S \* 11/2007 Williams ..... D7/698  
D687,268 S \* 8/2013 Difante ..... D7/698  
D719,413 S \* 12/2014 Difante ..... D7/698  
D719,794 S \* 12/2014 Khuu ..... D7/698  
D719,795 S \* 12/2014 Khuu ..... D7/698

D720,579 S \* 1/2015 Pitner et al. .... D7/698  
D721,915 S \* 2/2015 Khuu ..... D7/398  
D723,882 S \* 3/2015 Khuu ..... D7/698  
D723,883 S \* 3/2015 Khuu ..... D7/698  
2004/0147212 A1 \* 7/2004 Leili et al. .... 452/173  
2005/0082732 A1 \* 4/2005 Chang ..... 269/289 R

**FOREIGN PATENT DOCUMENTS**

JP 1439003 S 4/2012

**OTHER PUBLICATIONS**

Japanese Office Action dated Feb. 27, 2014, 2 pages.

\* cited by examiner

*Primary Examiner* — Ricky Pham

(74) *Attorney, Agent, or Firm* — Rankin, Hill & Clark LLP

(57) **CLAIM**

The ornamental design for a chopping board, as shown and described.

**DESCRIPTION**

FIG. 1 is a front elevation view of the chopping board;  
FIG. 2 is a rear elevation view thereof;  
FIG. 3 is a right side elevation view thereof;  
FIG. 4 is a left side elevation view thereof;  
FIG. 5 is a top plan view thereof;  
FIG. 6 is a bottom plan view thereof;  
FIG. 7 is a perspective view thereof; and,  
FIG. 8 is an enlarged perspective view of a bottom right corner thereof.

The evenly-dashed broken lines illustrate portions of the chopping board that form no part of the claimed design. The dot-dash broken lines illustrate boundaries of the claimed portion of the chopping board, and do not form a part of the claimed design.

**1 Claim, 4 Drawing Sheets**

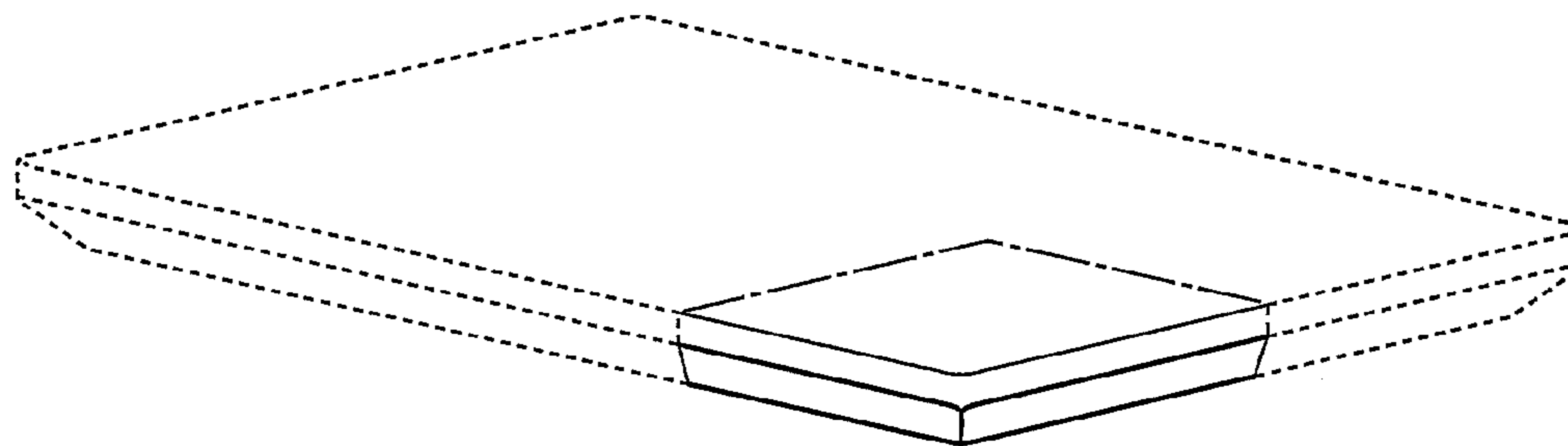


FIG. 1

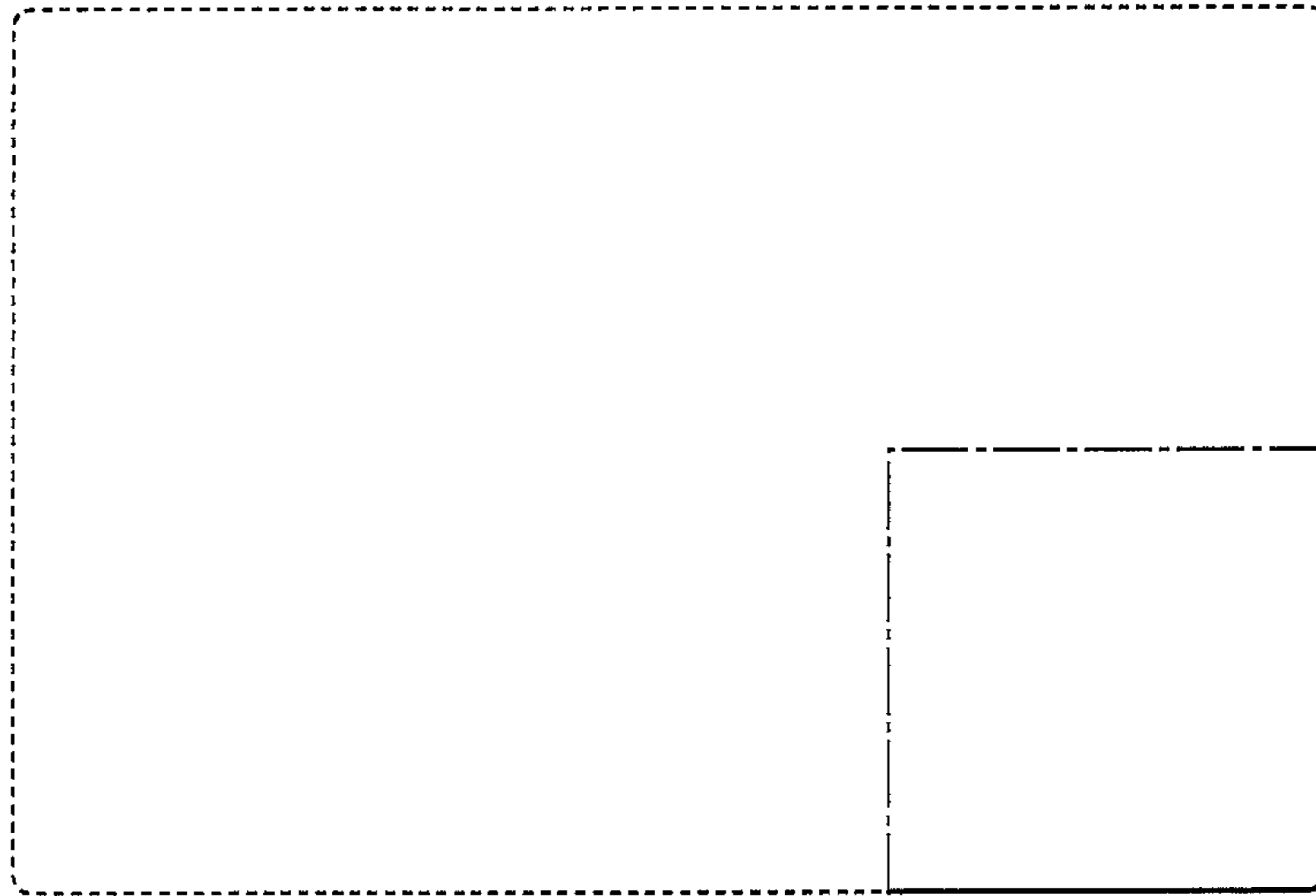


FIG. 2

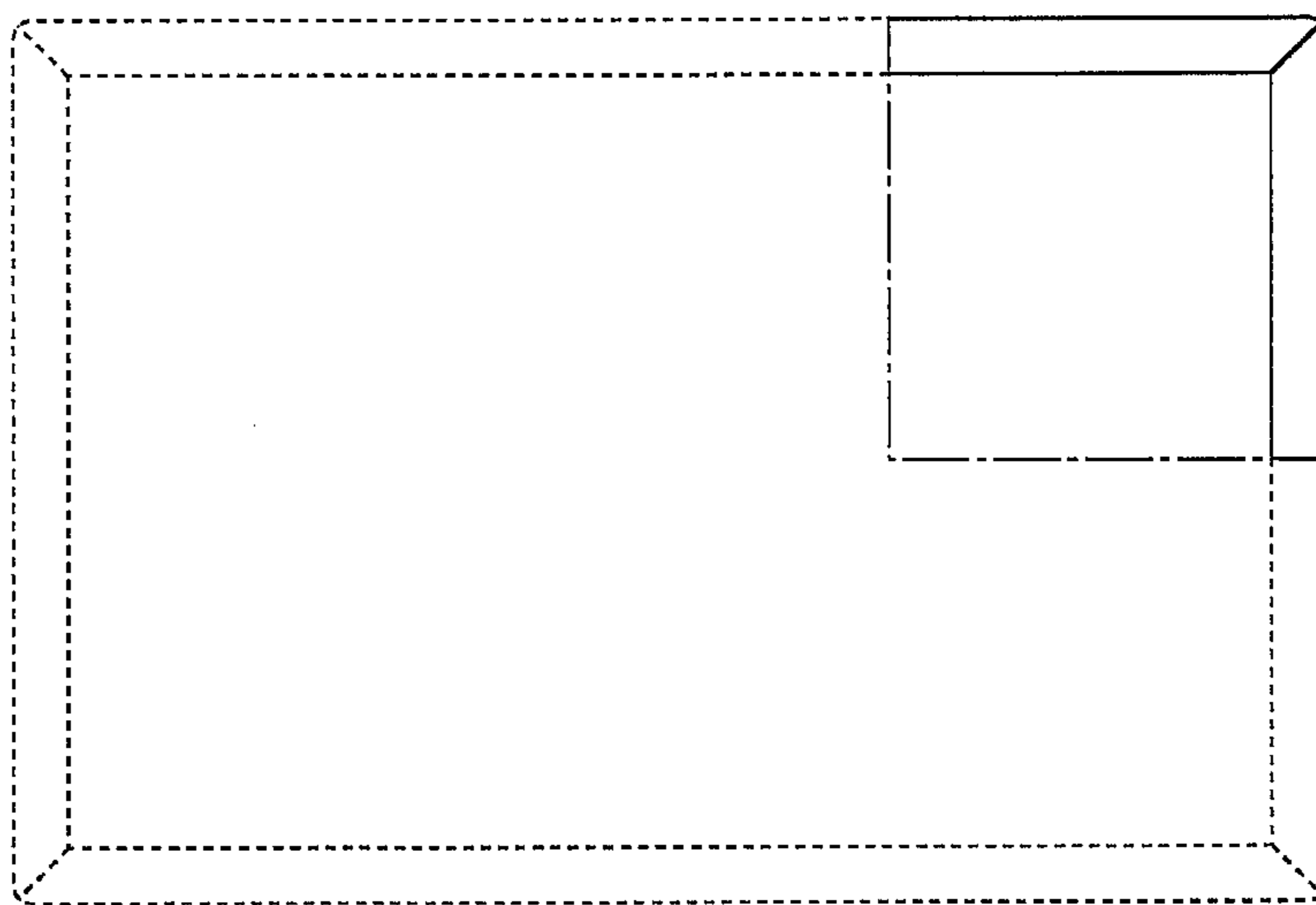


FIG. 3



FIG. 4

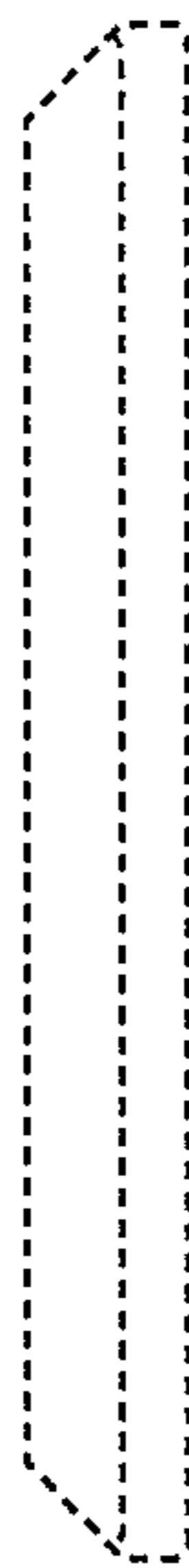


FIG. 5

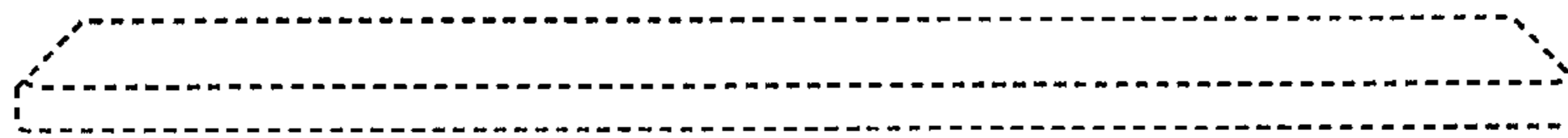


FIG. 6

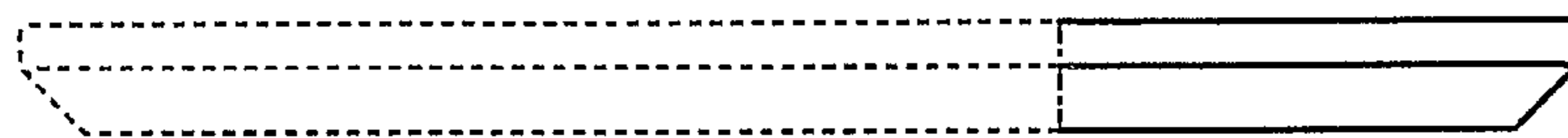


FIG. 7

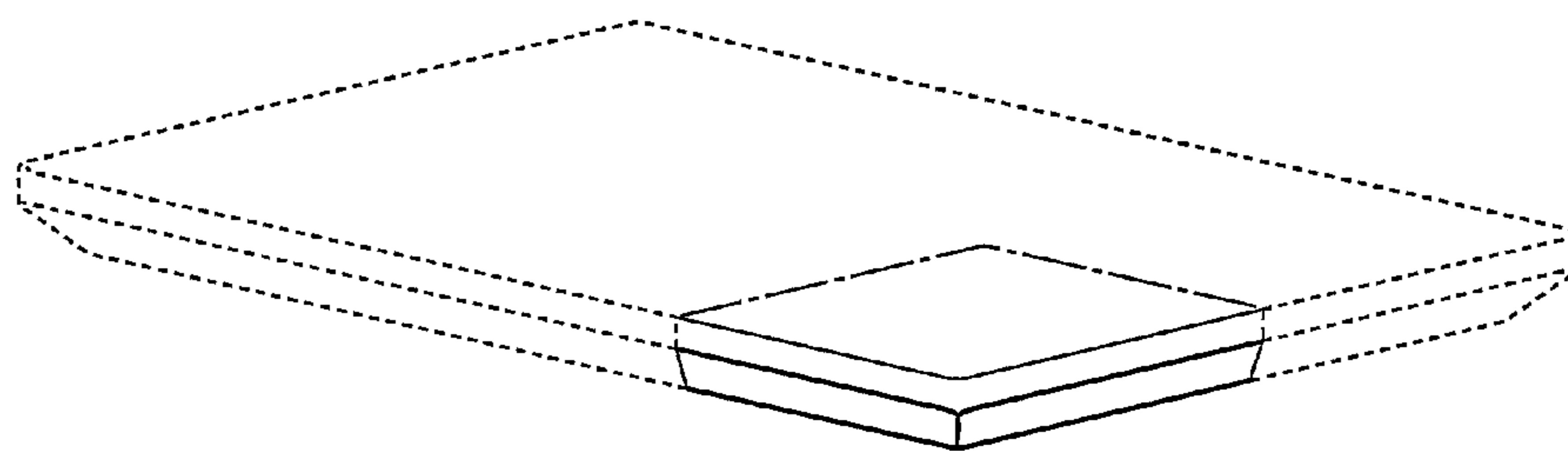


FIG. 8

