

US00D736041S

(12) **United States Design Patent**
Orr

(10) **Patent No.:** **US D736,041 S**

(45) **Date of Patent:** **** Aug. 11, 2015**

(54) **COMBINED CHALAZAE AND YOLK SEPARATOR**

(71) Applicant: **Karen Orr**, Clark, CO (US)

(72) Inventor: **Karen Orr**, Clark, CO (US)

(**) Term: **14 Years**

(21) Appl. No.: **29/479,707**

(22) Filed: **Jan. 17, 2014**

(51) **LOC (10) Cl.** **07-04**

(52) **U.S. Cl.**
USPC **D7/667**

(58) **Field of Classification Search**
USPC D7/667, 368, 669; 30/120.1; 426/478,
426/490; 99/495-499; D24/112, 115
CPC A47J 43/14; A23J 1/08; A23J 1/09
See application file for complete search history.

(56) **References Cited**

U.S. PATENT DOCUMENTS

1,868,336	A *	7/1932	Parsons	99/497
2,430,156	A	11/1947	Byers	
2,652,765	A *	9/1953	Risco	99/345
4,149,456	A *	4/1979	Gisonni	30/120.1
4,258,714	A *	3/1981	Leopoldi et al.	604/118
5,088,392	A	2/1992	Ancona et al.	
5,527,550	A	6/1996	Miles et al.	
5,643,202	A	7/1997	Gravenstein et al.	
D391,455	S *	3/1998	Wallays	D7/669
6,050,434	A	4/2000	McNab	
7,549,559	B2	6/2009	Conroy et al.	
D687,265	S *	8/2013	Cloutier et al.	D7/667
D703,494	S *	4/2014	Frank et al.	D7/667
2005/0045669	A1	3/2005	Thunberg et al.	
2012/0314527	A1	12/2012	Vulliermet	

2012/0323221 A1 12/2012 Gallo et al.

* cited by examiner

Primary Examiner — Terry Wallace

(74) *Attorney, Agent, or Firm* — The Reilly Intellectual Property Law Firm, P.C.

(57) **CLAIM**

The ornamental design for a combined chalazae and yolk separator, as shown and described.

DESCRIPTION

FIG. 1 is a perspective view of the combined chalazae and egg yolk separator showing my new design.

FIG. 2 is a side view thereof.

FIG. 3 is a bottom plan view thereof.

FIG. 4 is a top plan view thereof.

FIG. 5 is an exploded side view thereof.

FIG. 6 is an exploded perspective view thereof.

FIG. 7 is a side view of the bulb portion of FIG. 1, shown separately for clarity of illustration.

FIG. 8 is a top plan view of FIG. 7.

FIG. 9 is a side view of the upper portion of FIG. 1, shown separately for clarity of illustration.

FIG. 10 is a bottom plan view of FIG. 9.

FIG. 11 is a top plan view of FIG. 9.

FIG. 12 is a perspective view of FIG. 9.

FIG. 13 is a side view of an alternate embodiment of FIG. 9.

FIG. 14 is a perspective view of FIG. 13.

FIG. 15 is a bottom plan view of FIG. 13.

FIG. 16 is a top plan view of FIG. 13.

FIG. 17 is a perspective view of an alternate embodiment of FIG. 1.

FIG. 18 is a side view of FIG. 17.

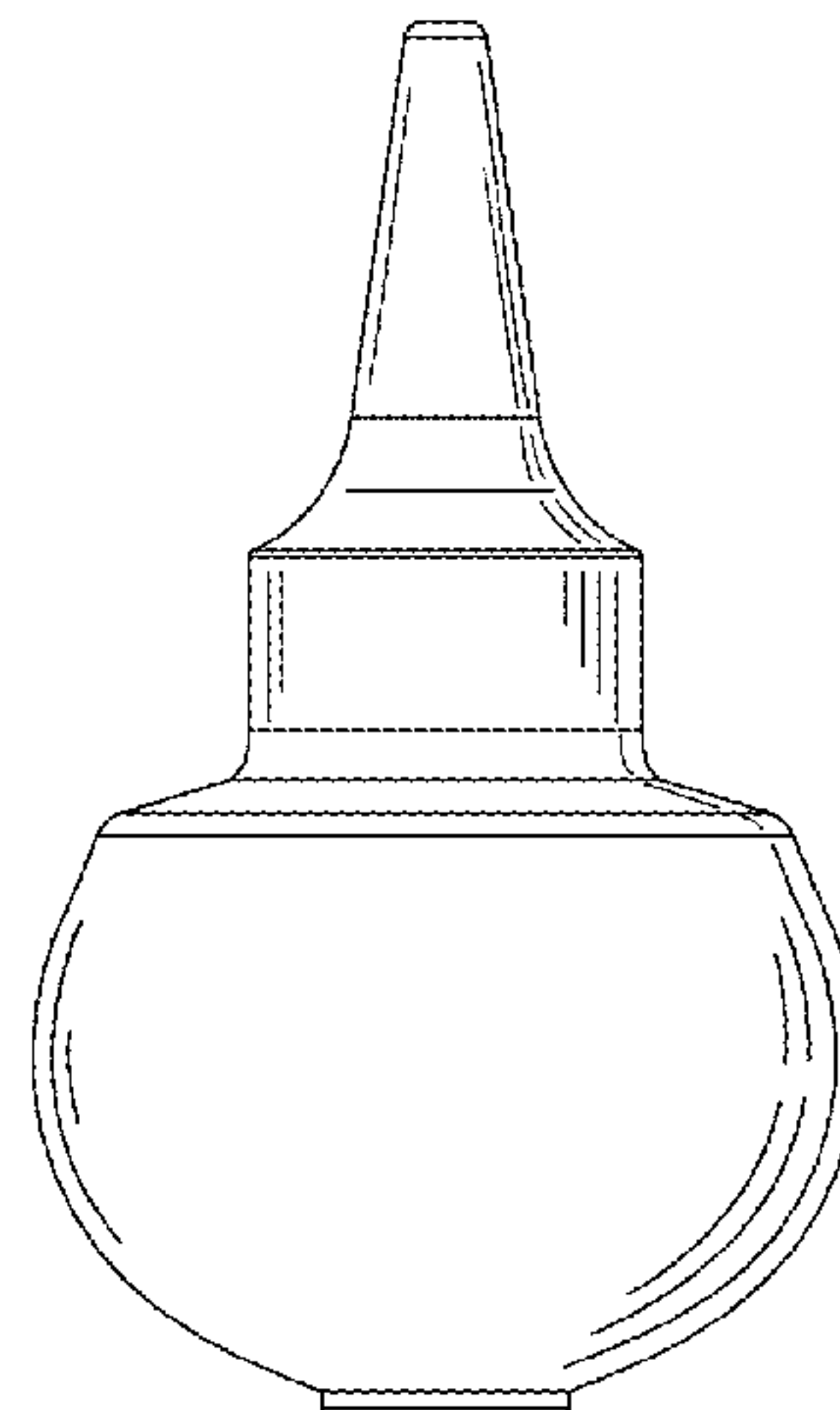
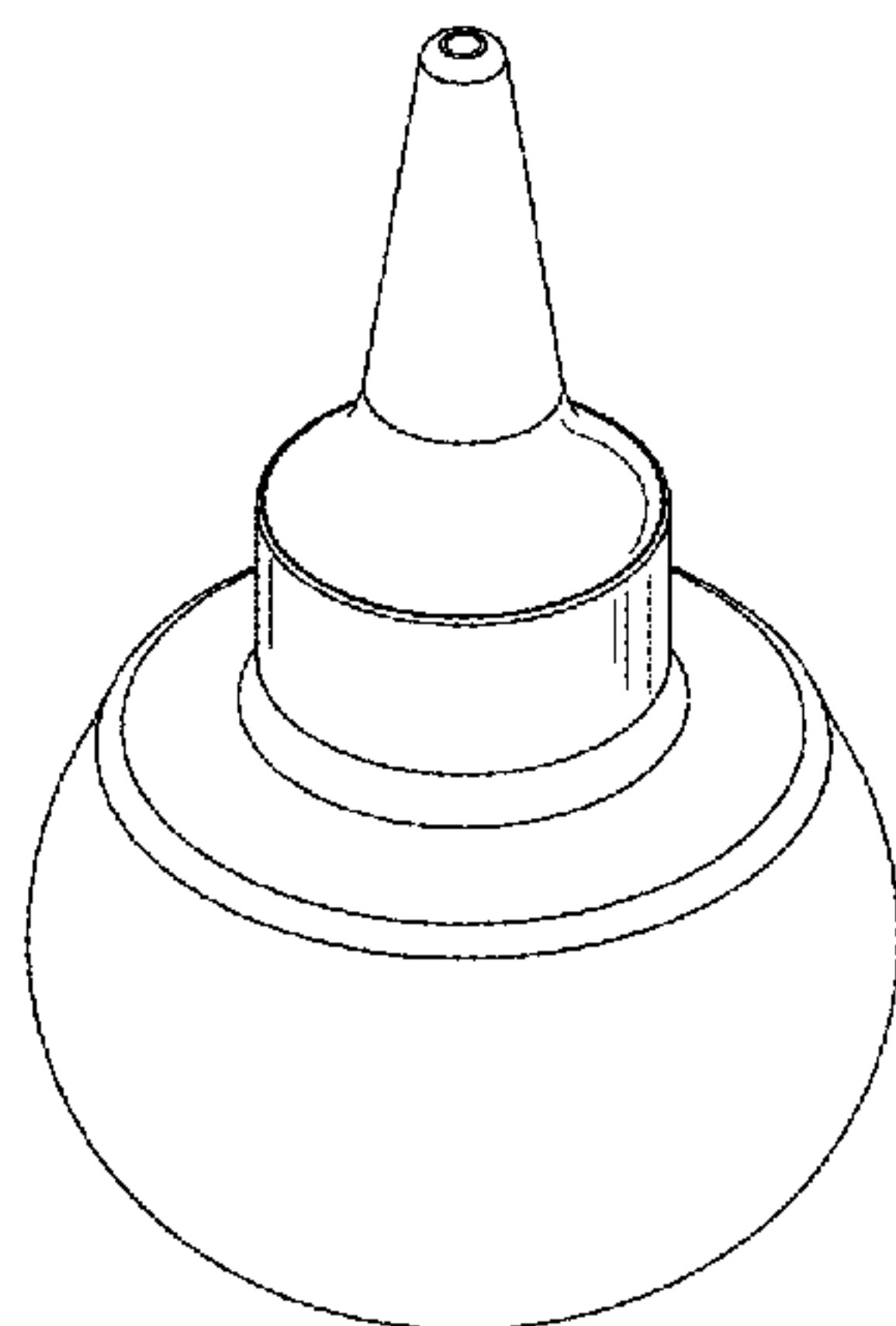
FIG. 19 is a bottom plan view of FIG. 17.

FIG. 20 is a top plan view of FIG. 17.

FIG. 21 is an exploded side view of FIG. 17; and,

FIG. 22 is an exploded perspective view of FIG. 17.

1 Claim, 9 Drawing Sheets



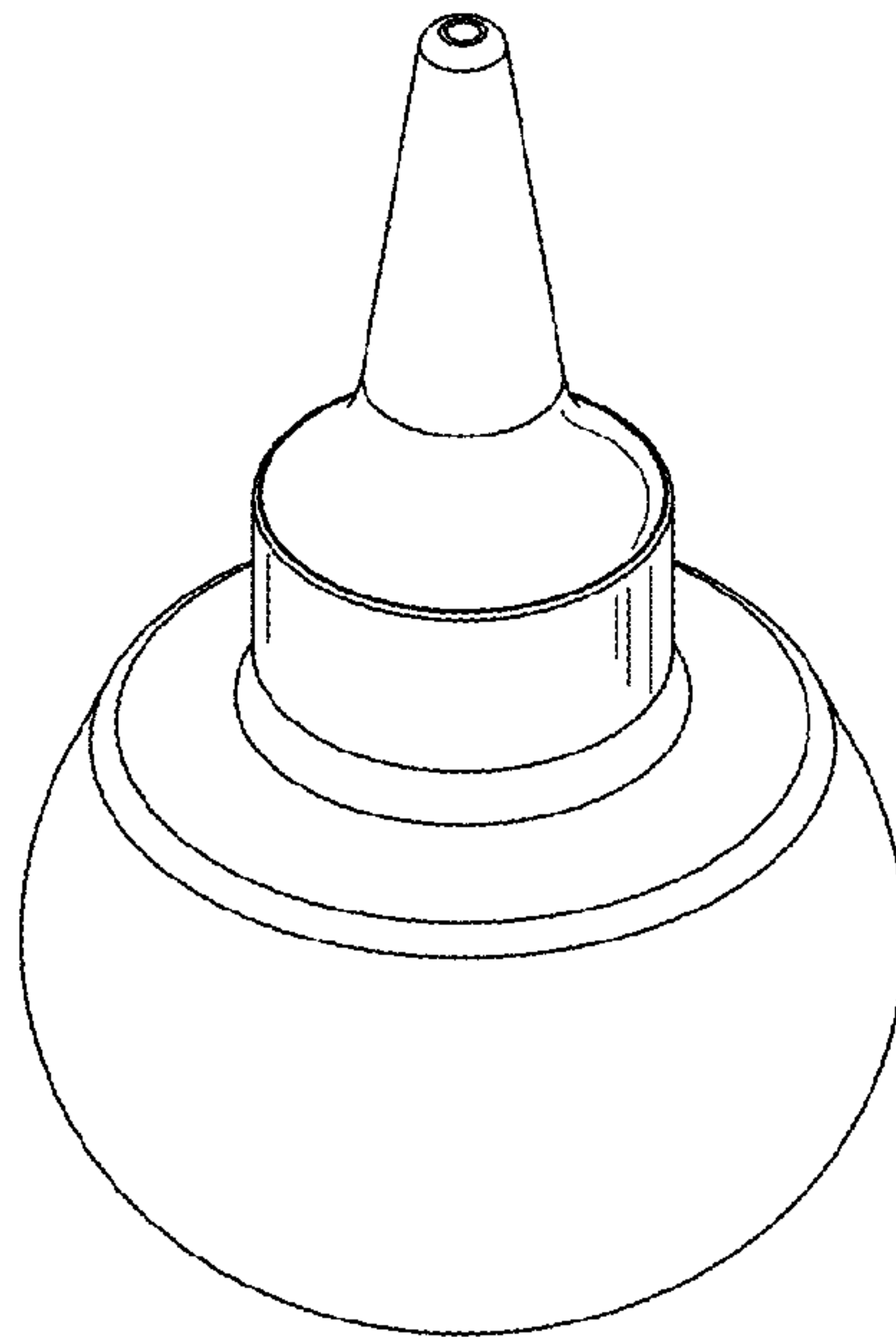


FIG. 1

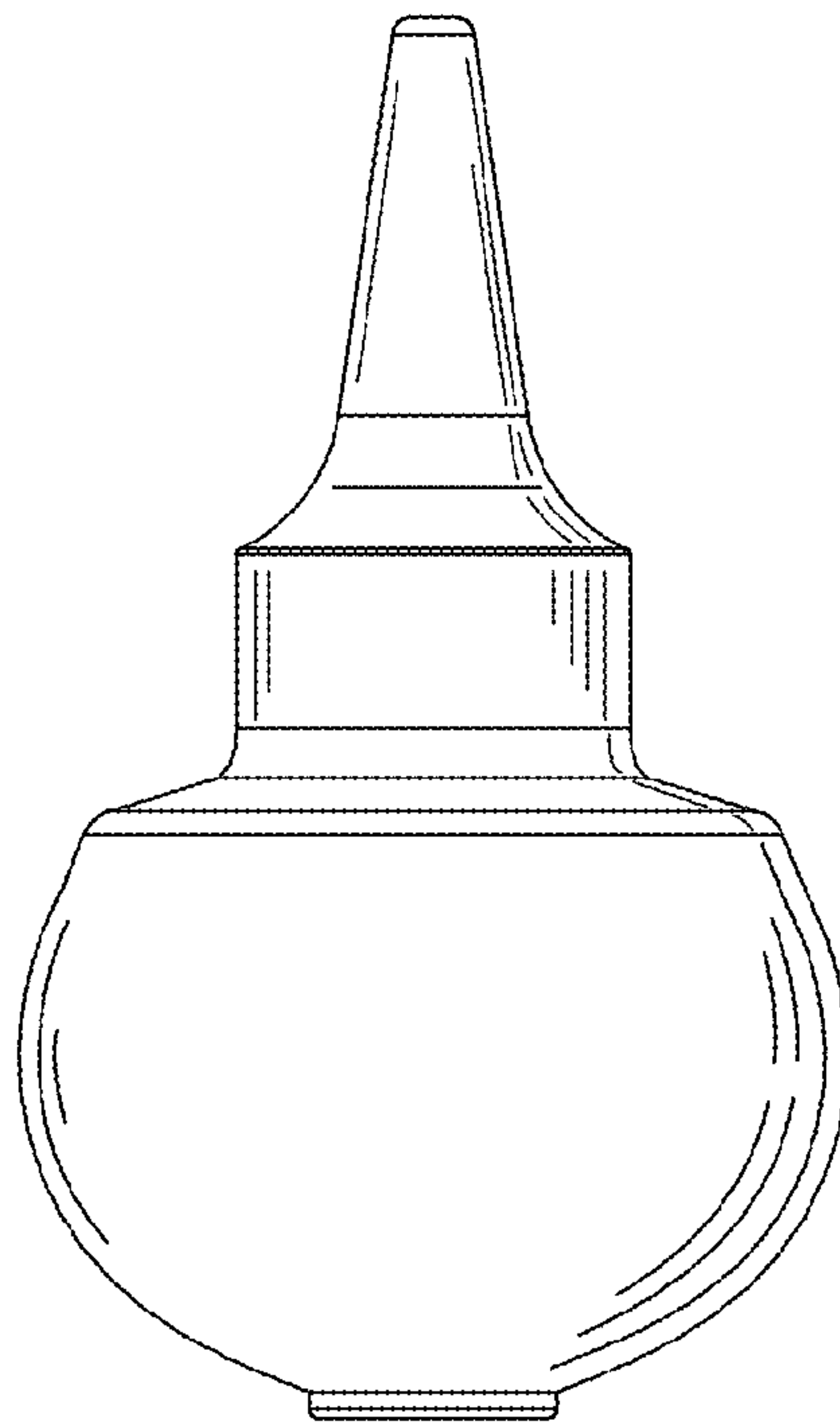


FIG. 2

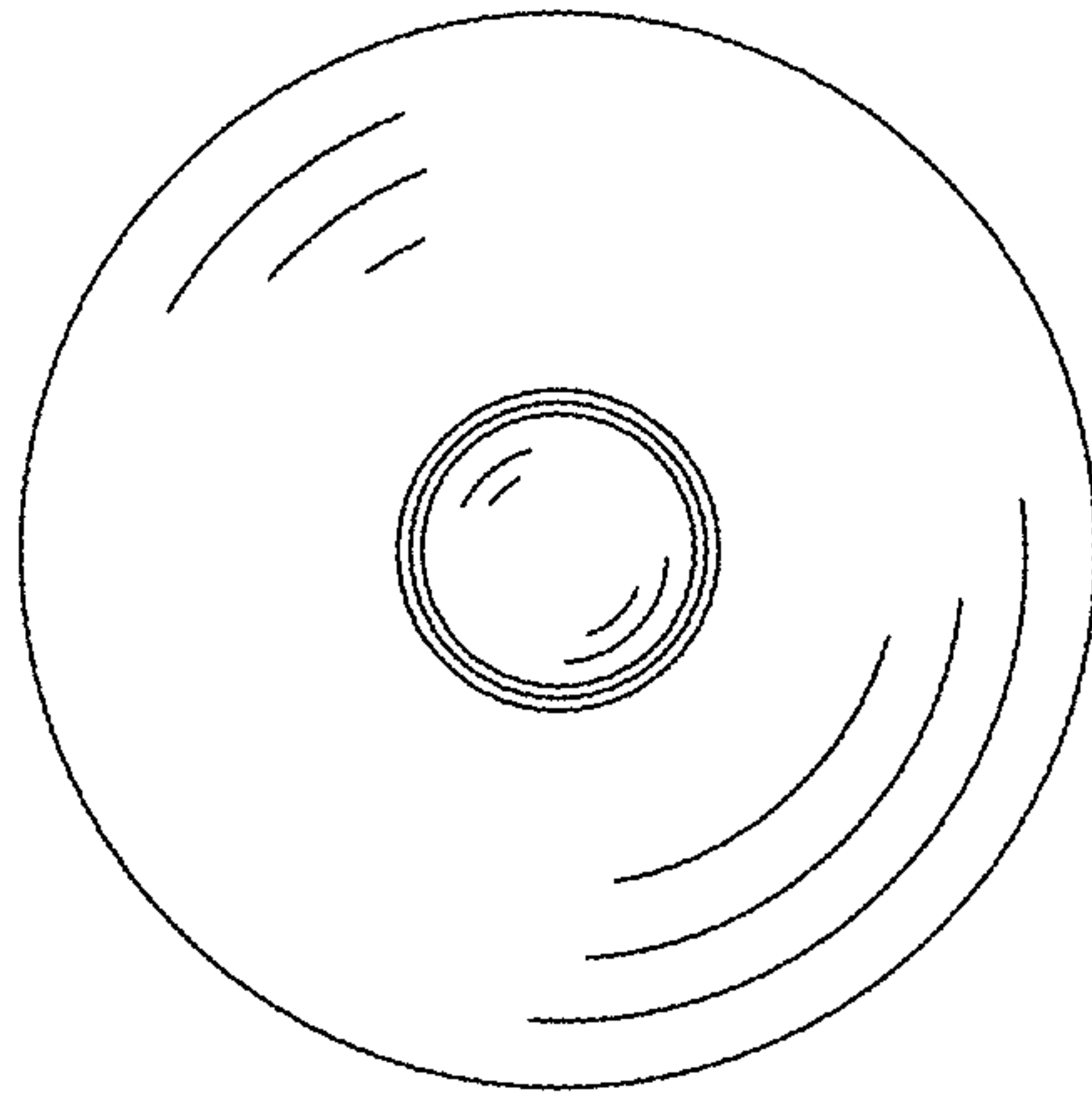


FIG. 3

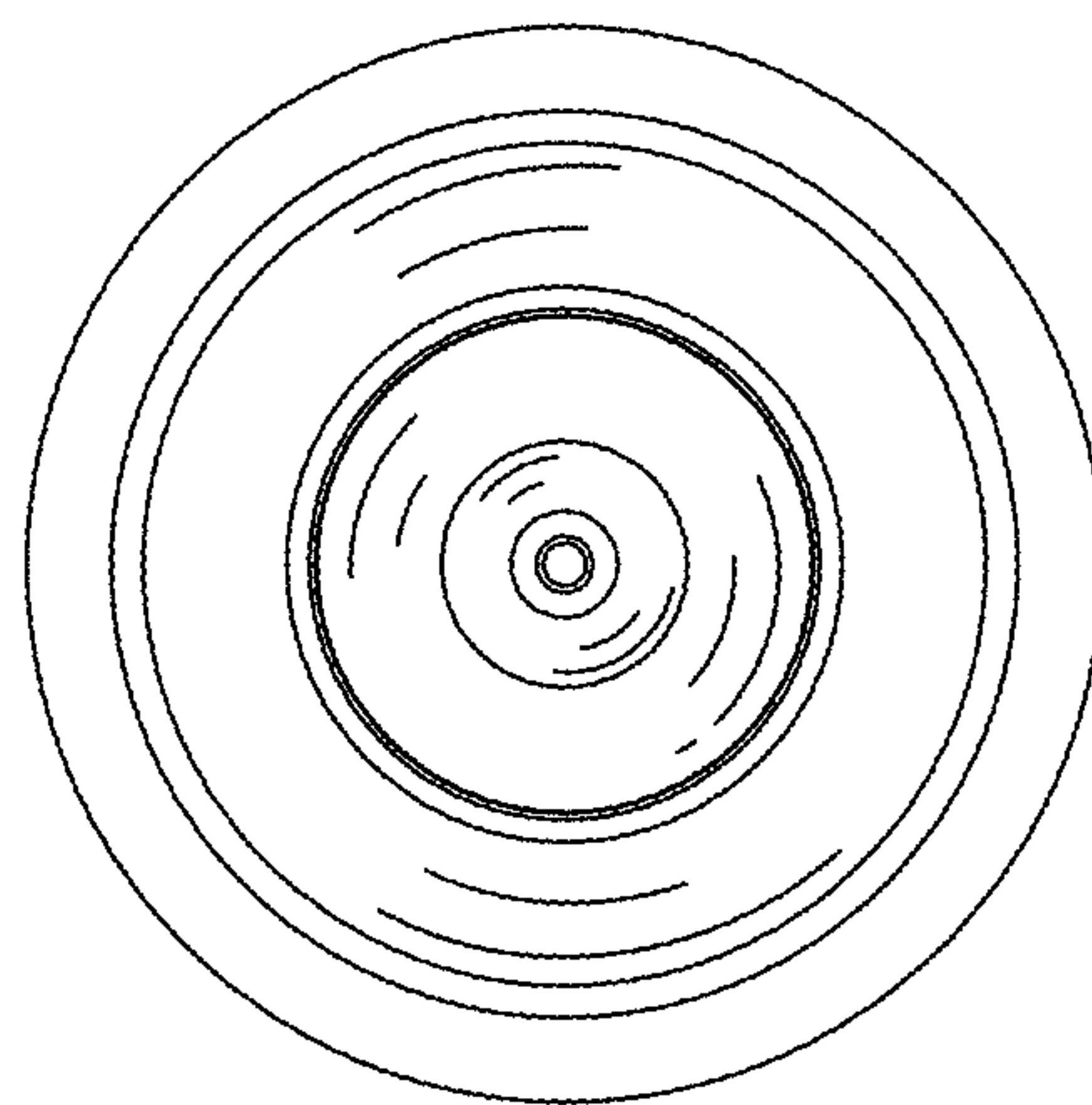


FIG. 4

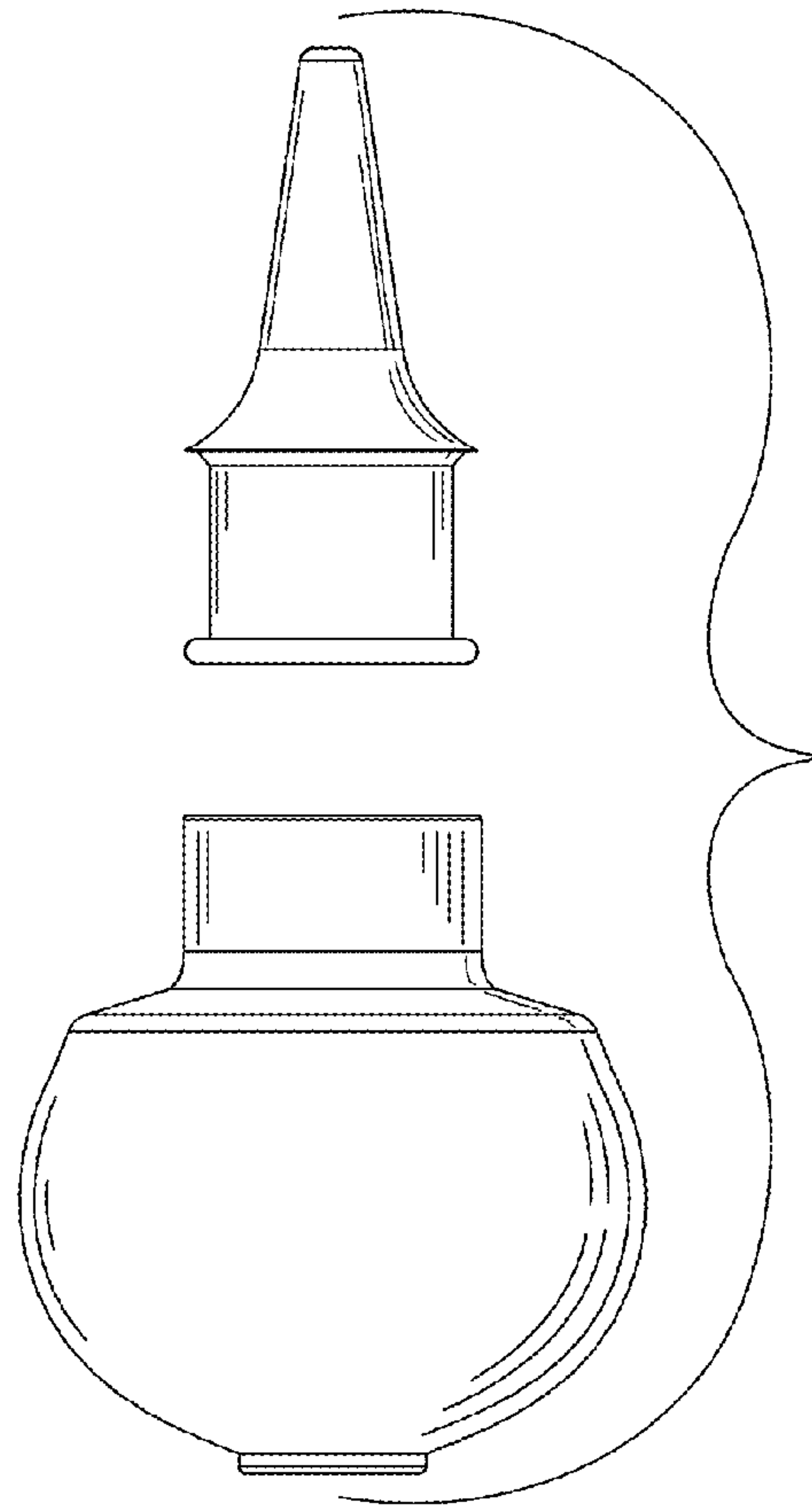


FIG. 5

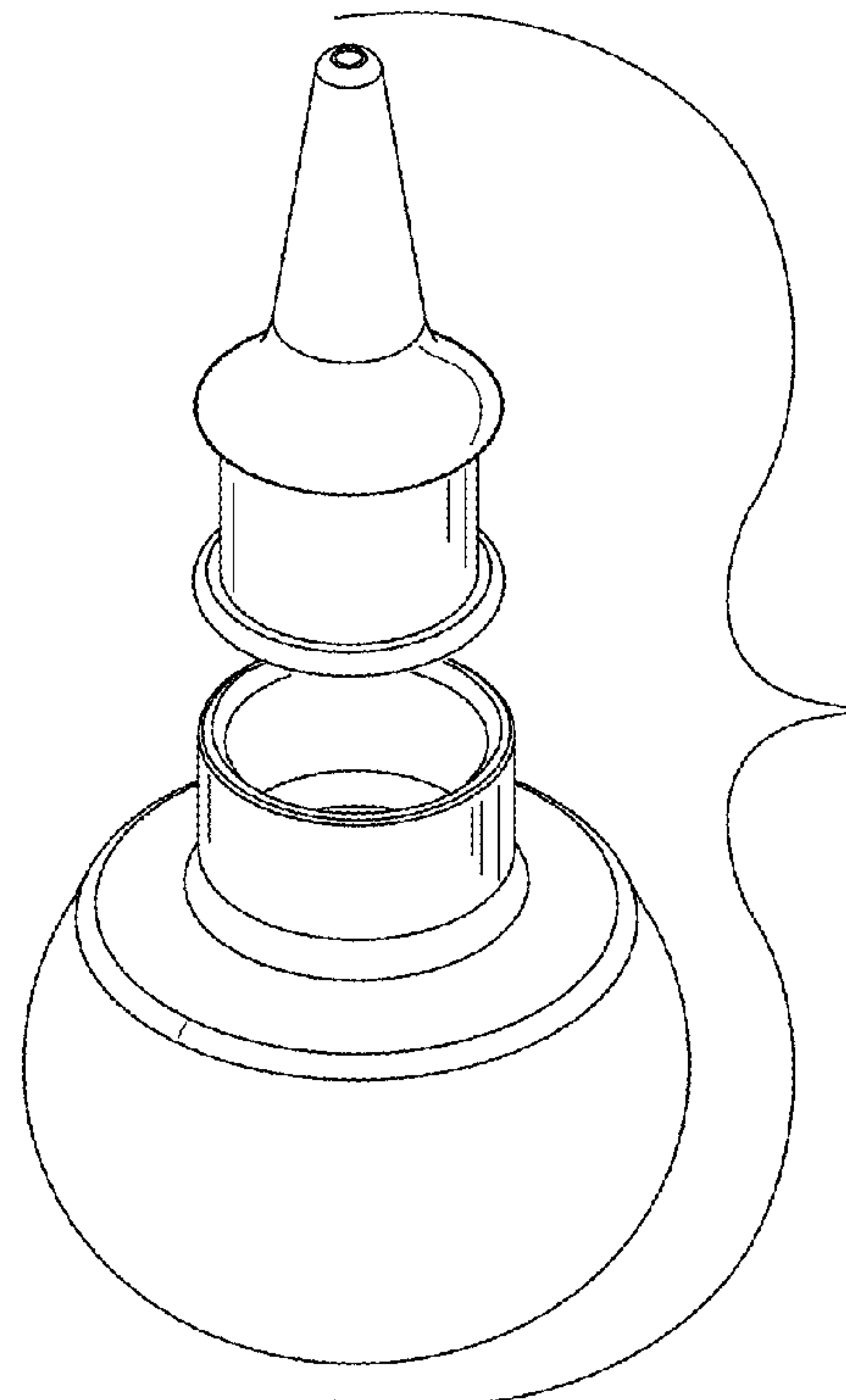


FIG. 6

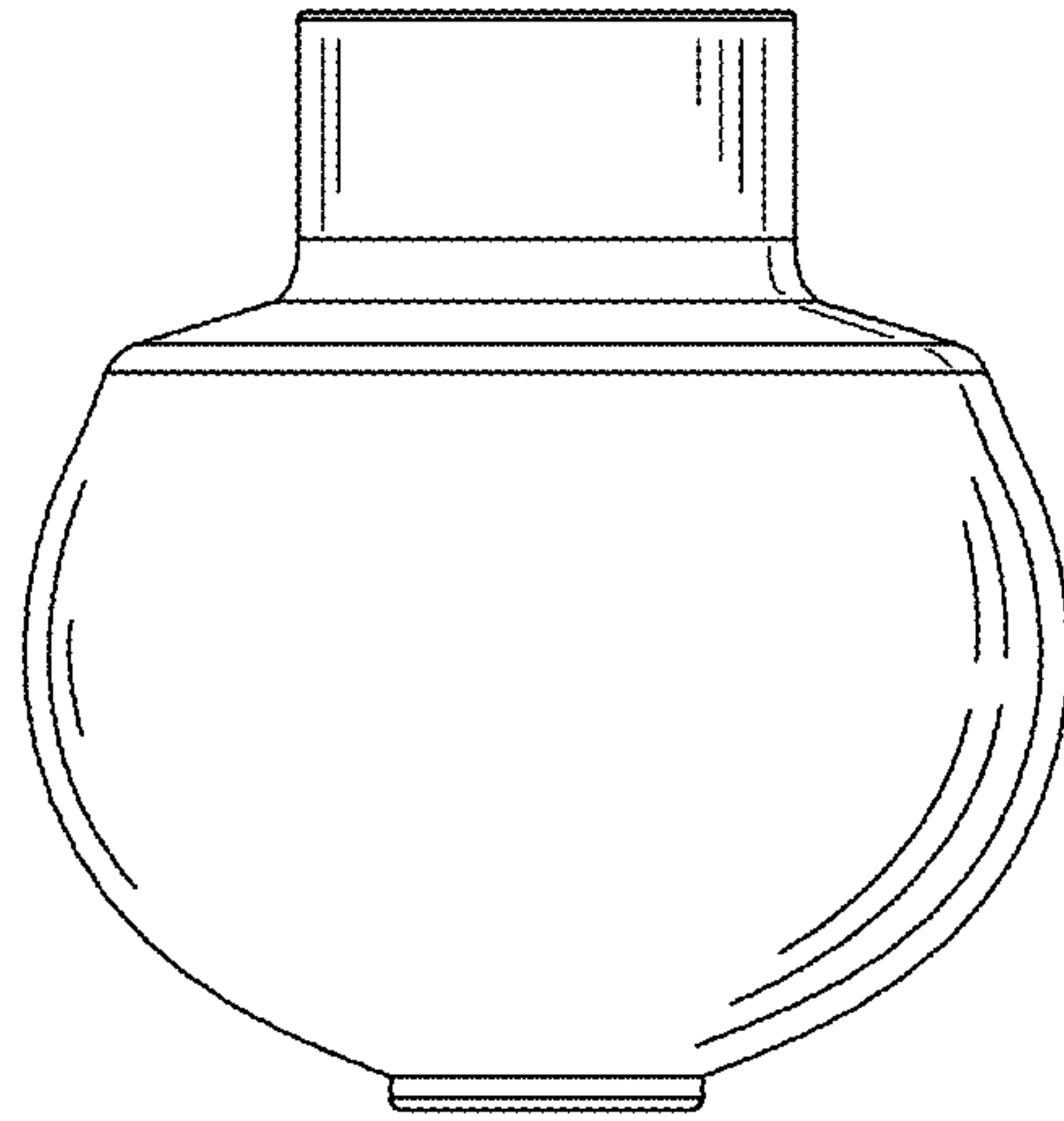


FIG. 7

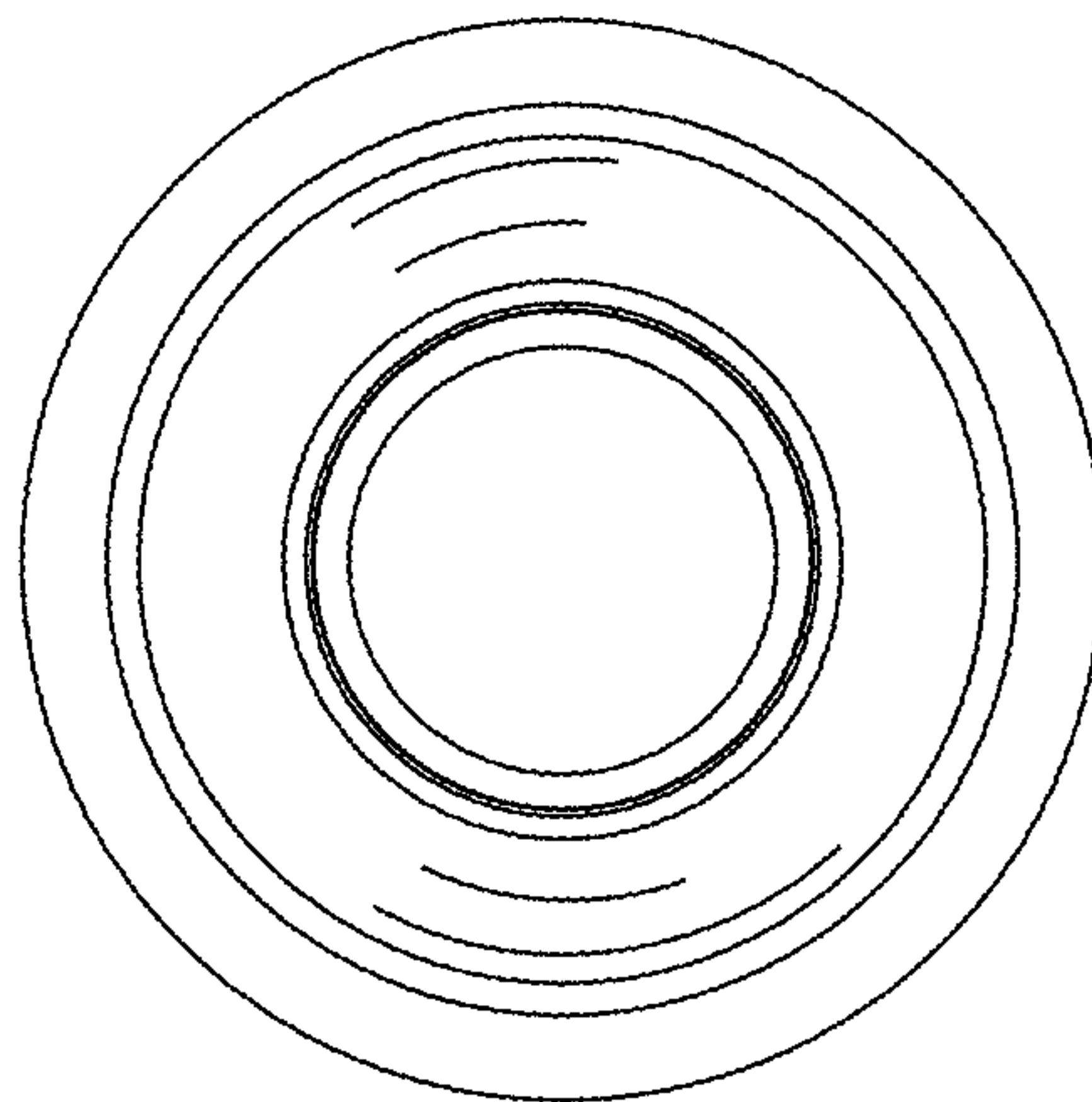


FIG. 8

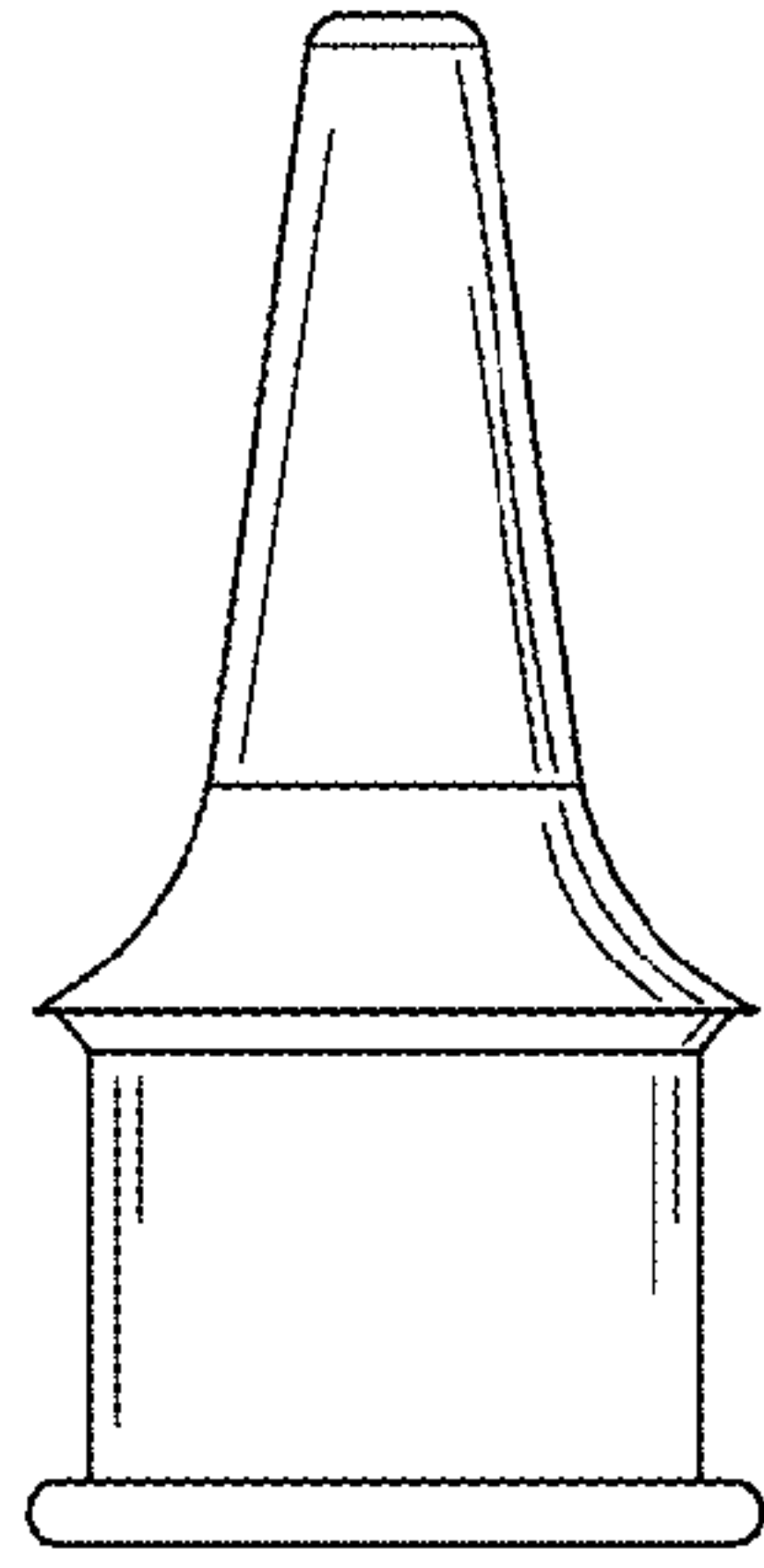


FIG. 9

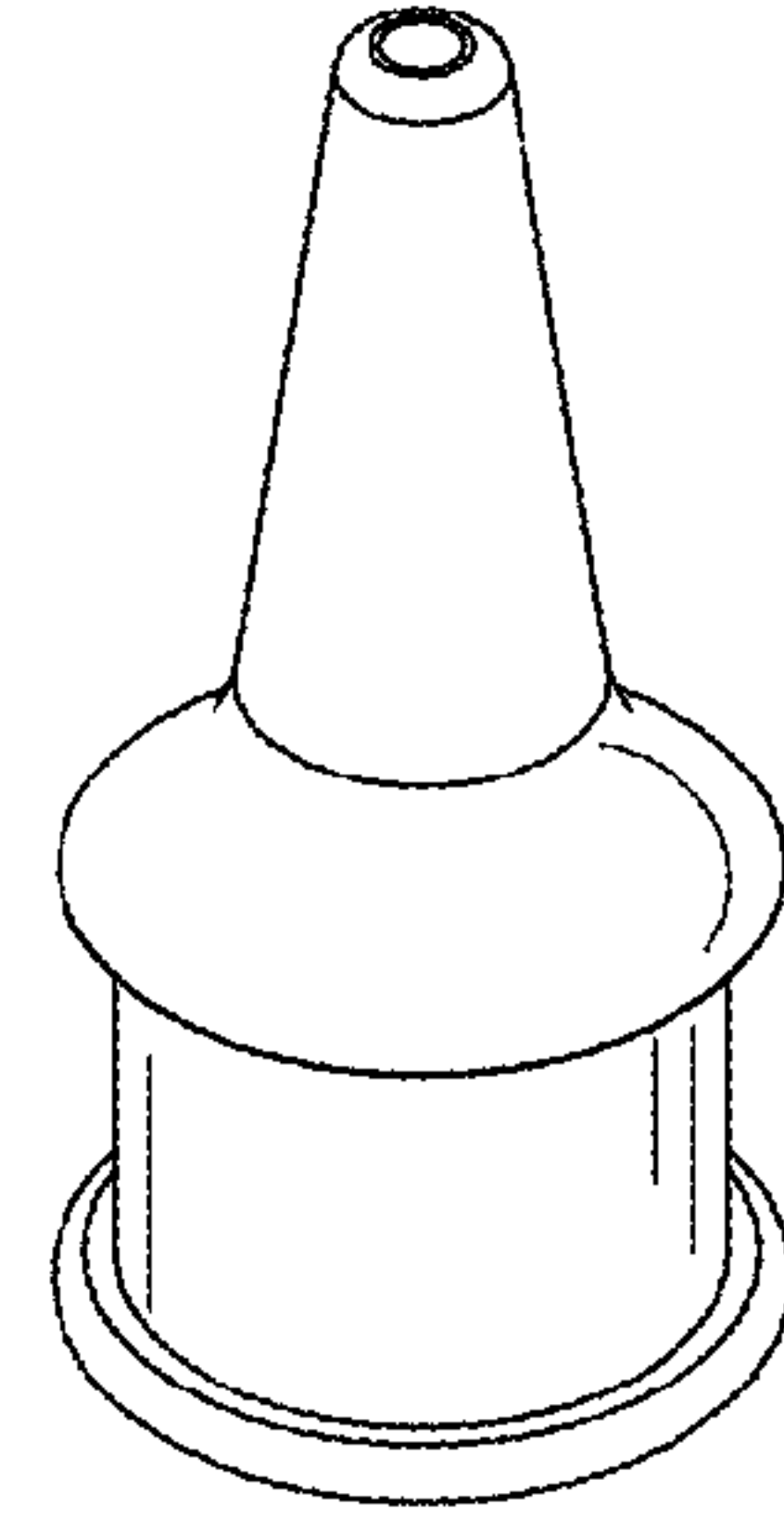


FIG. 12

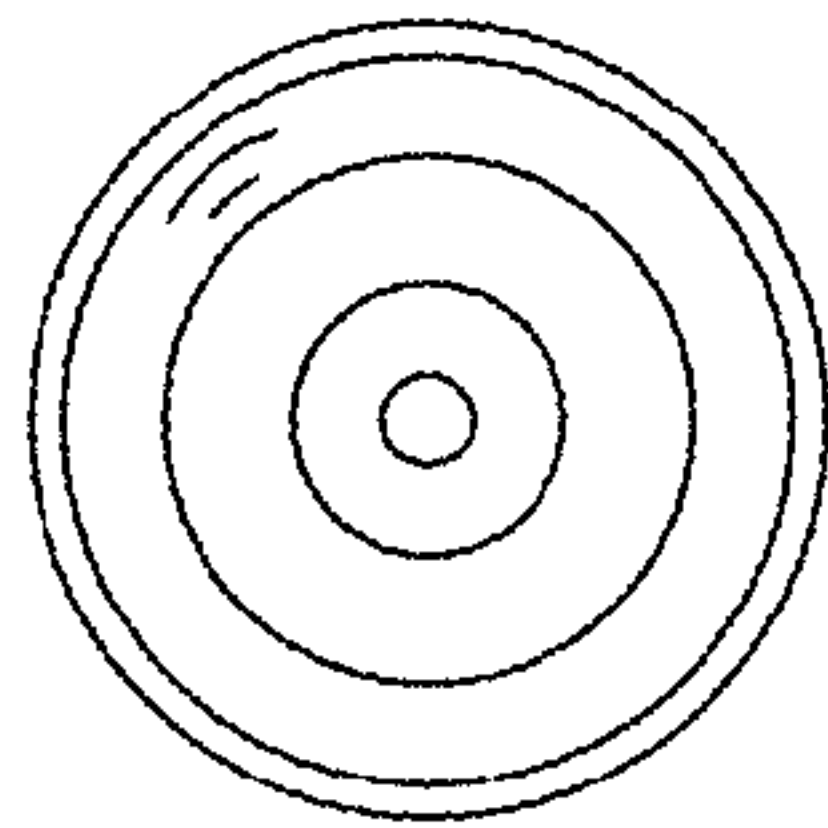


FIG. 10

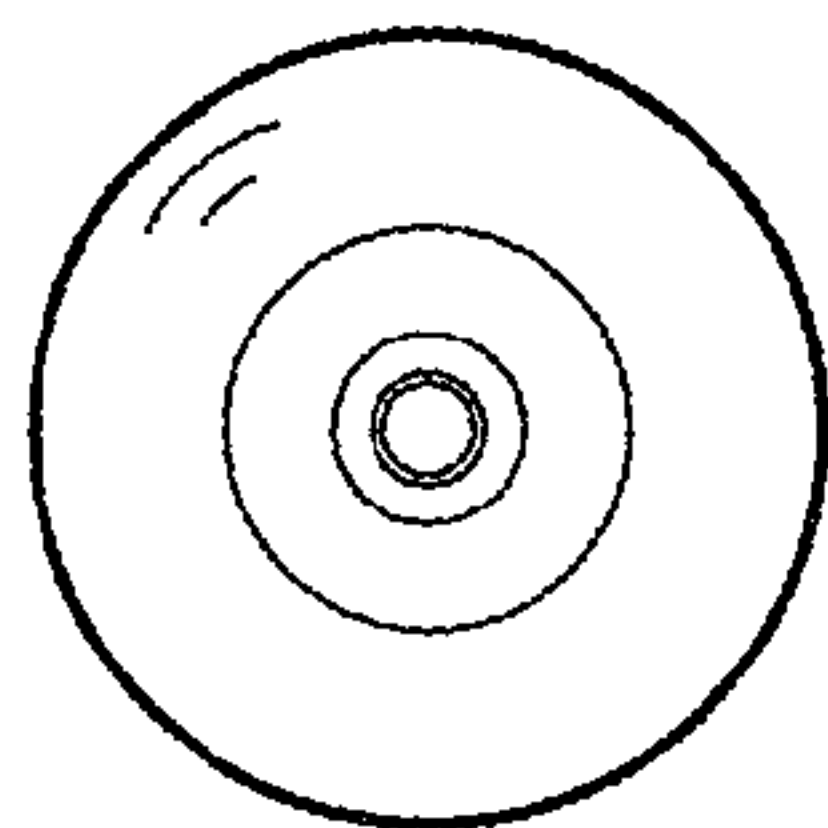


FIG. 11

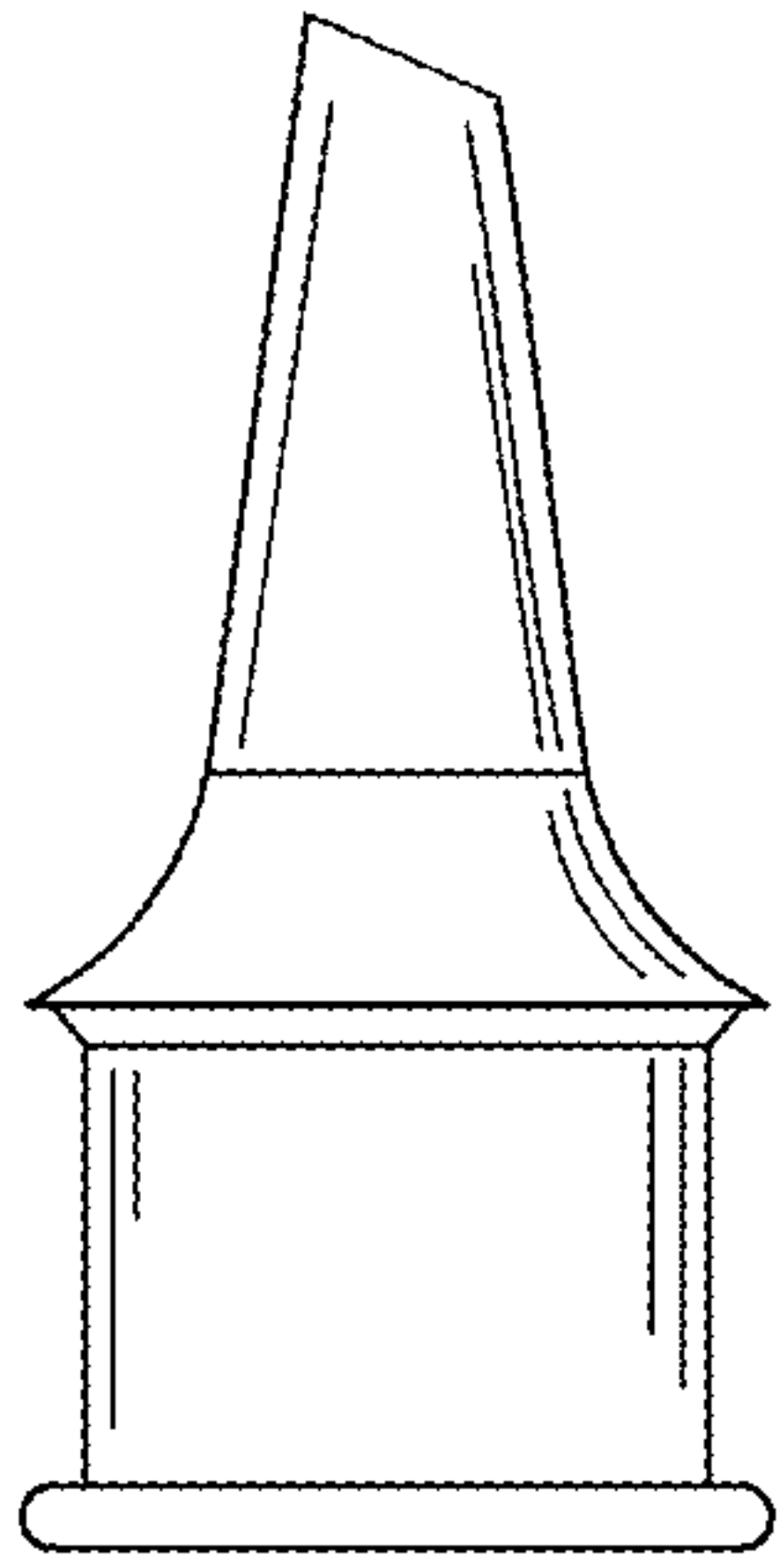


FIG. 13

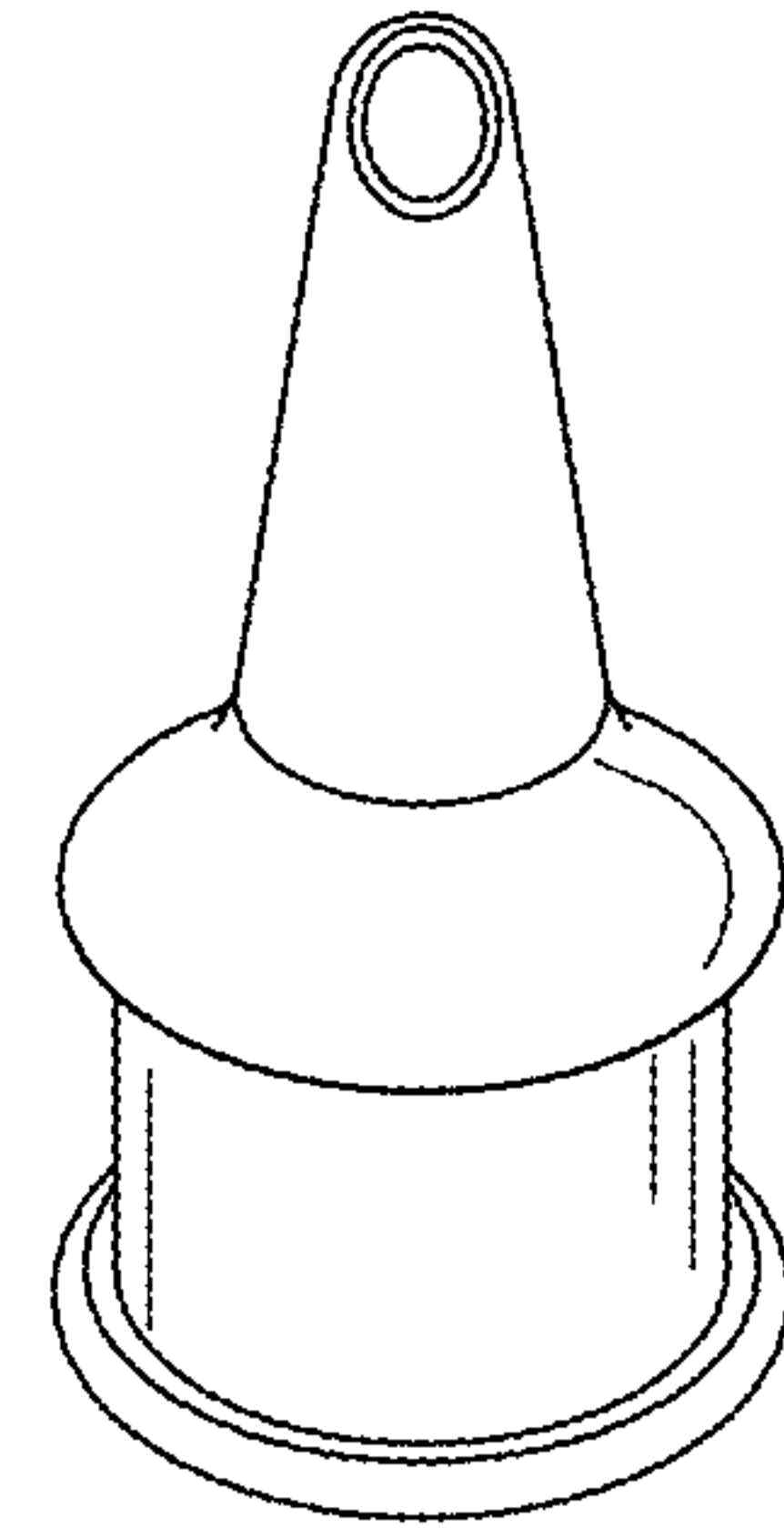


FIG. 14

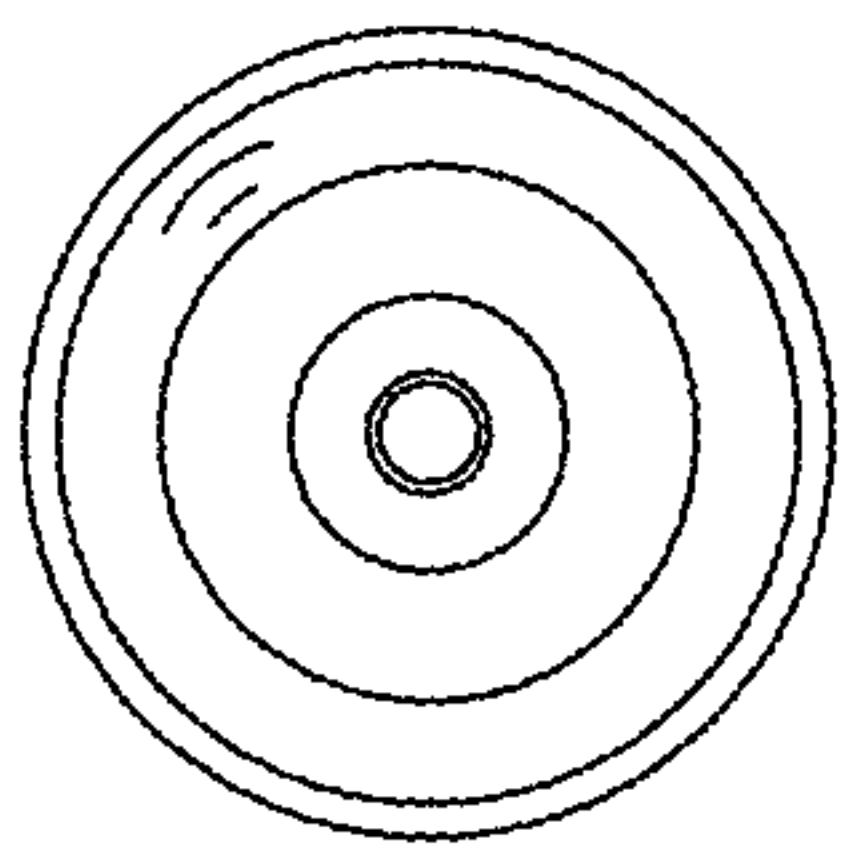


FIG. 15

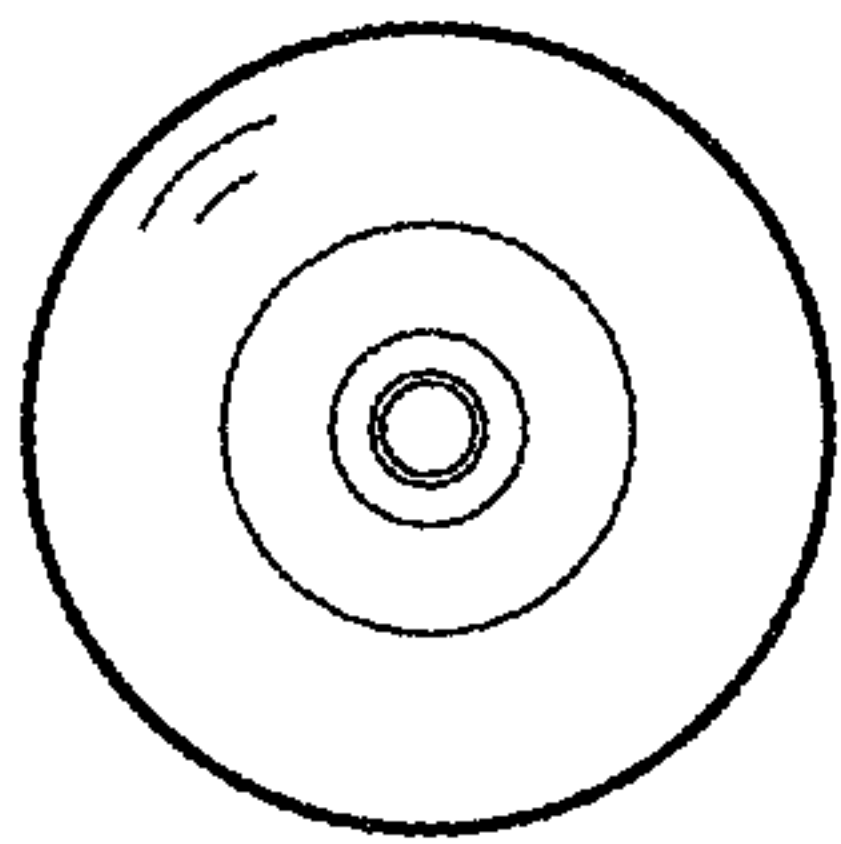


FIG. 16

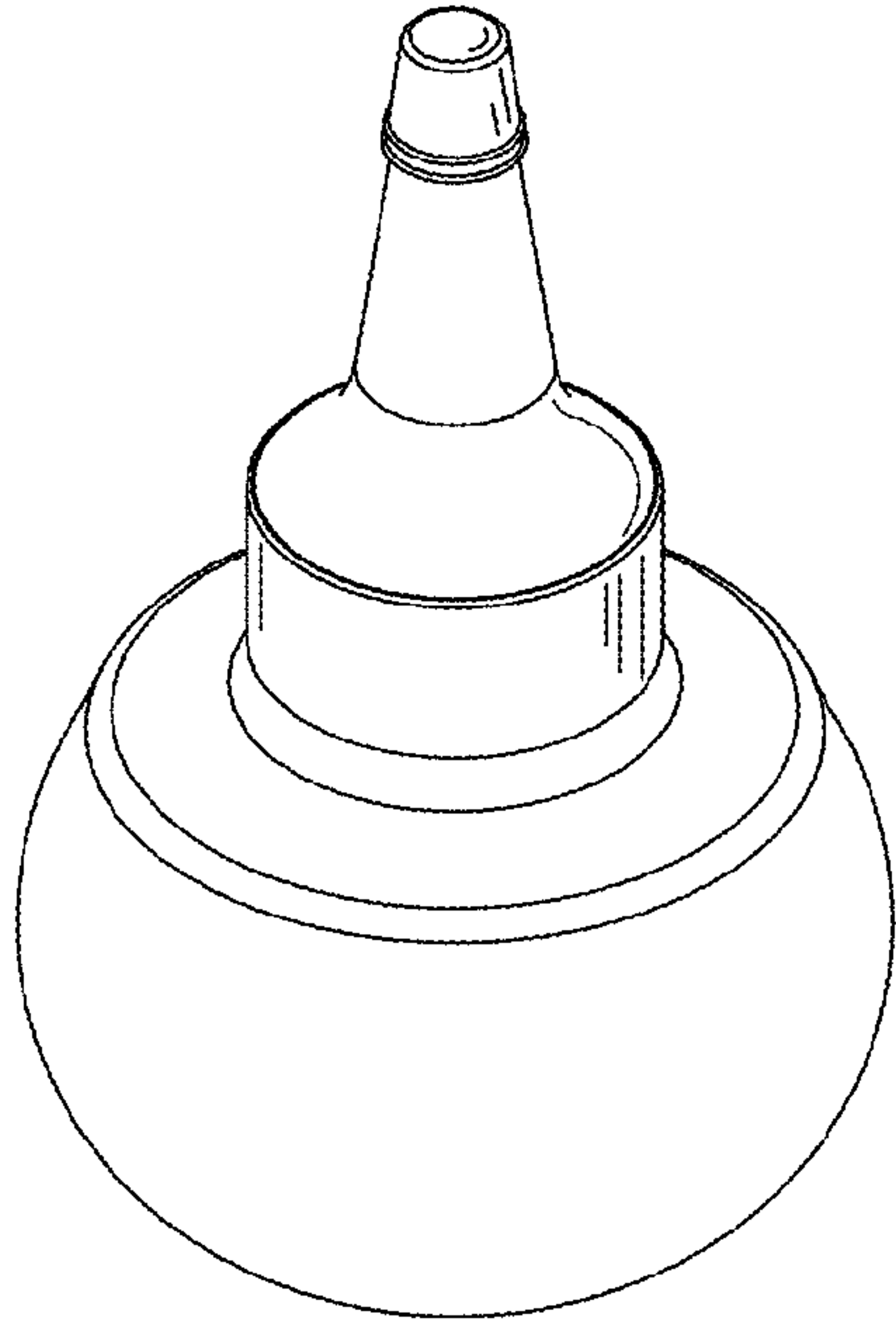


FIG. 17

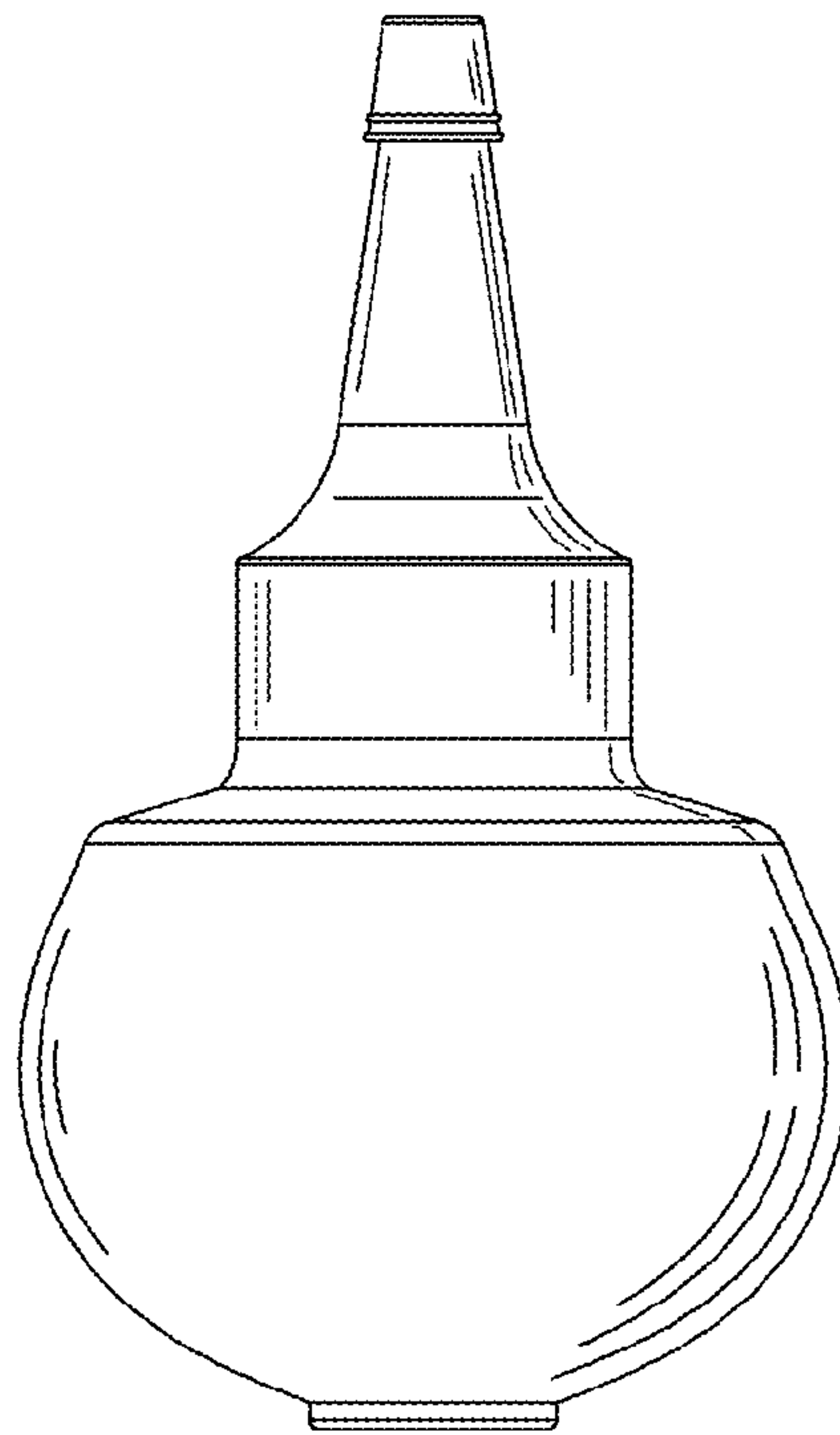


FIG. 18

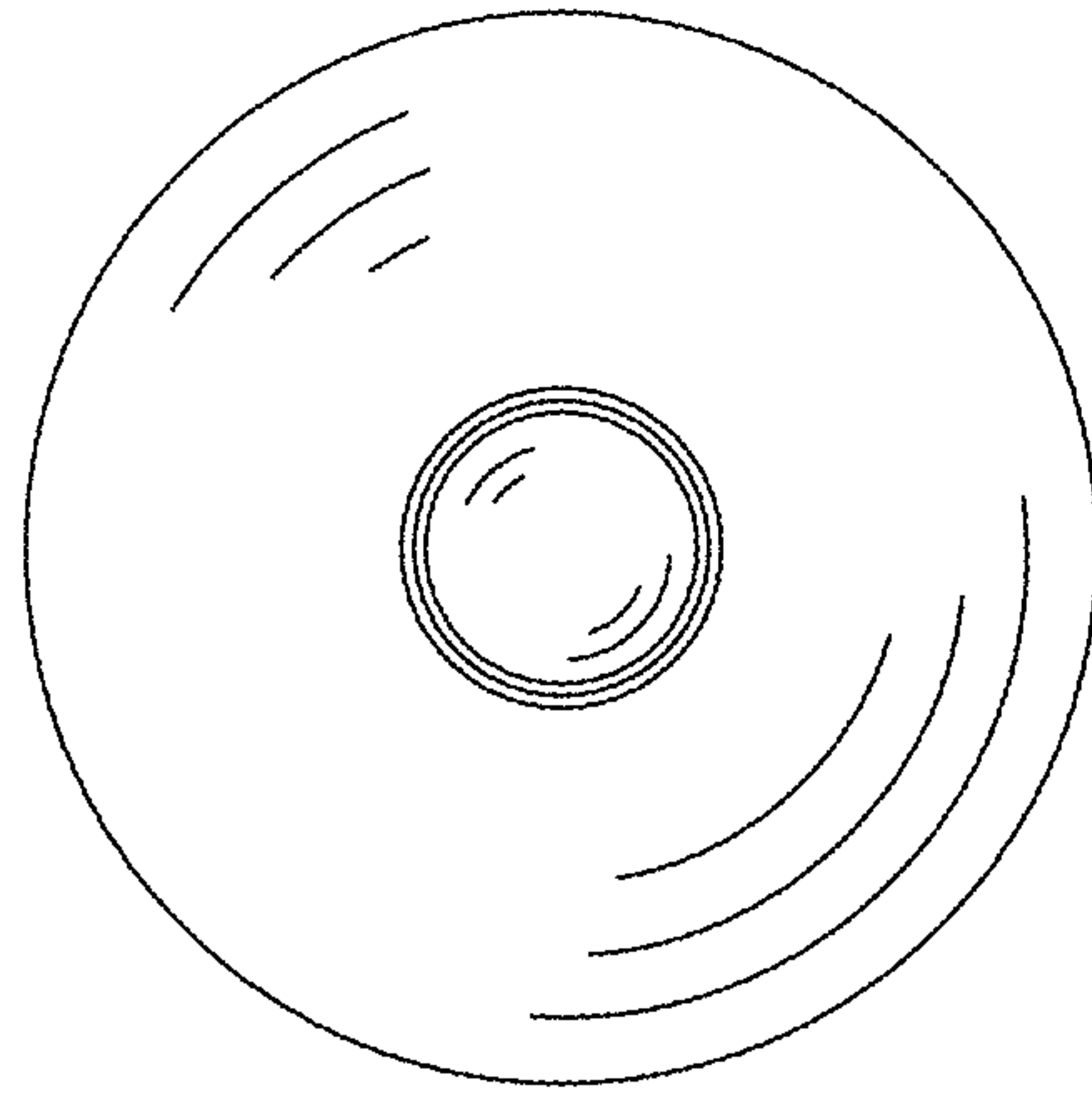


FIG. 19

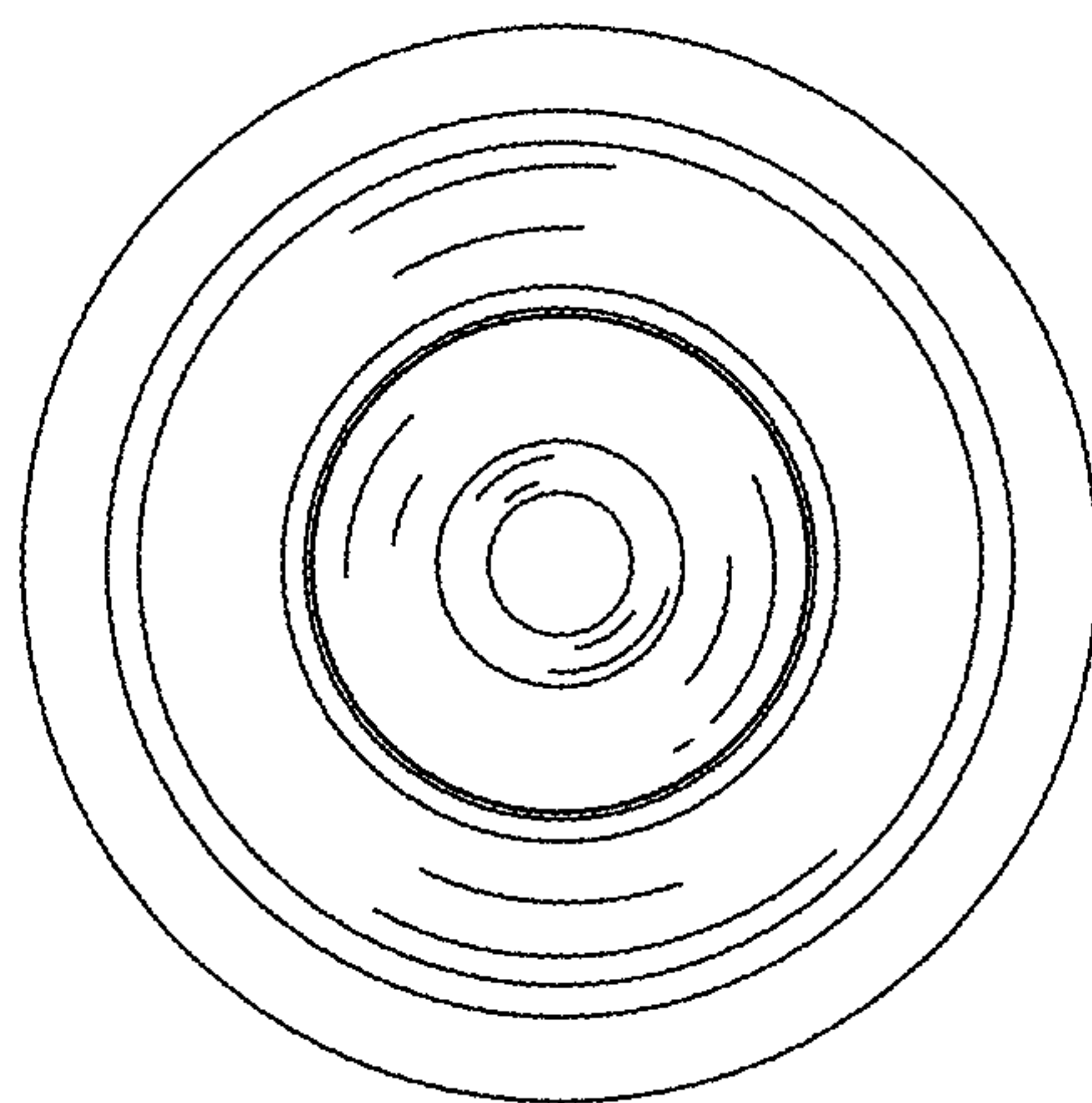


FIG. 20

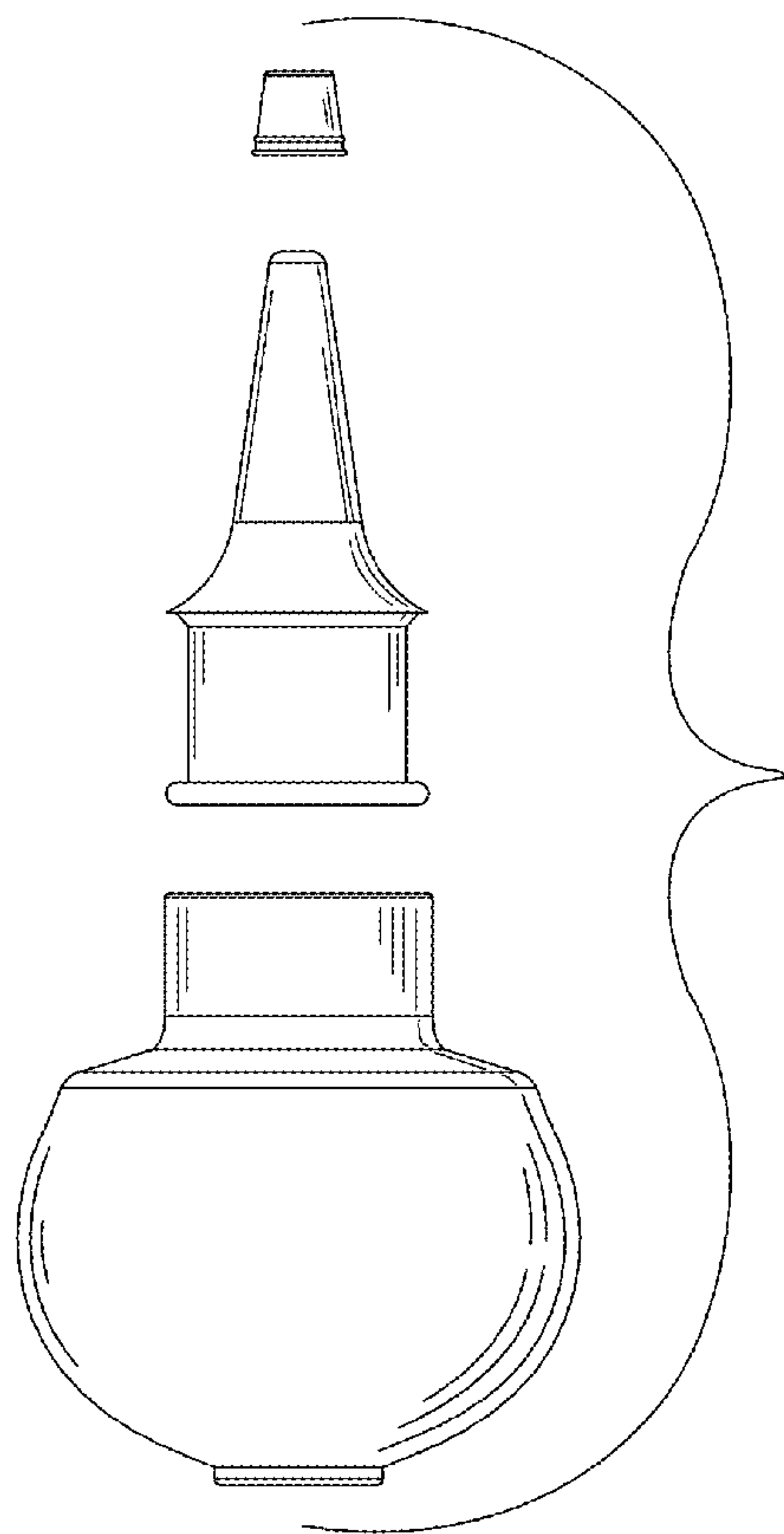


FIG. 21

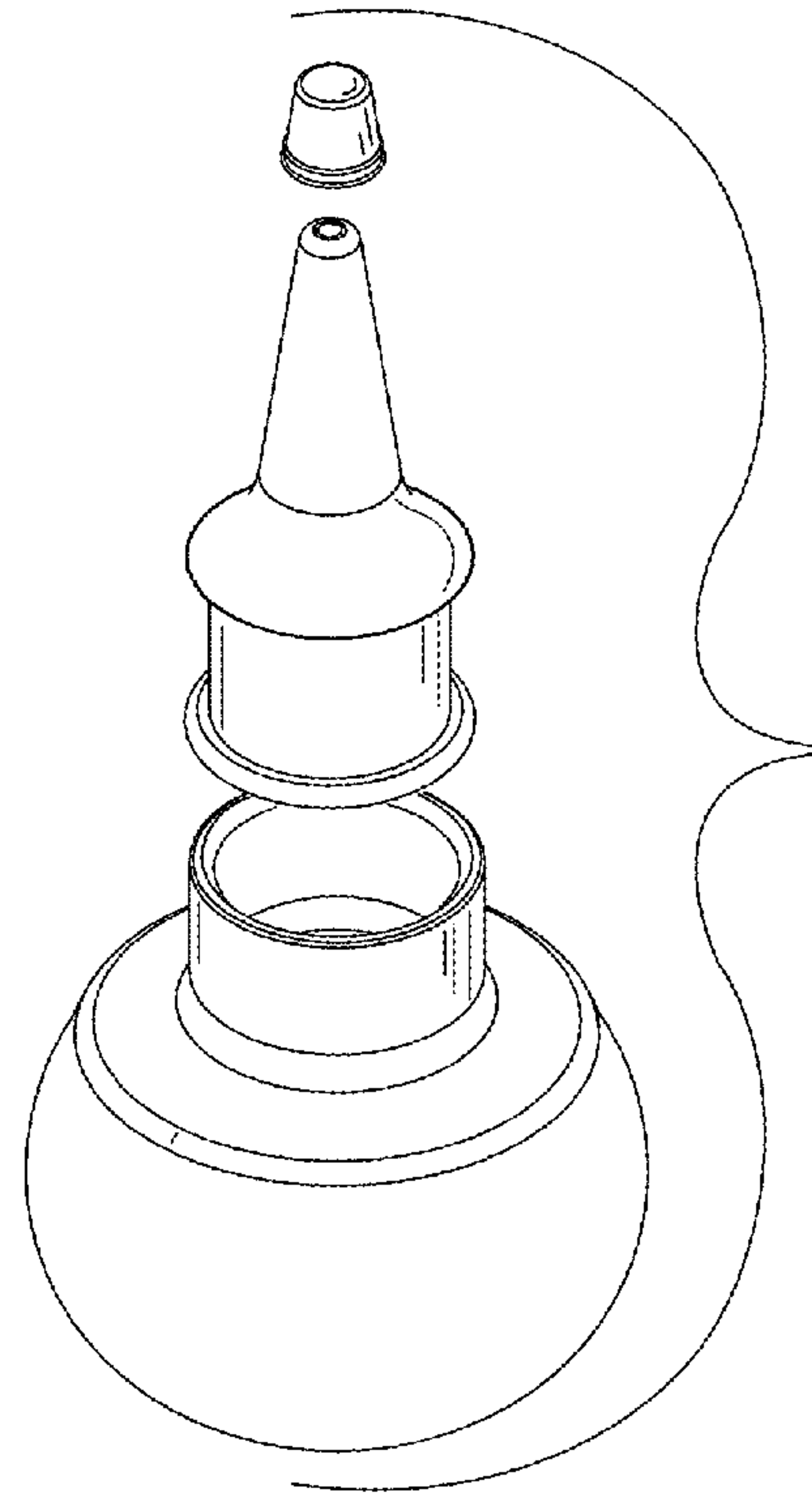


FIG. 22