

US00D736038S

(12) **United States Design Patent**  
**Kilduff et al.**

(10) **Patent No.:** **US D736,038 S**

(45) **Date of Patent:** **\*\* \*Aug. 11, 2015**

(54) **CONTAINER LID**

(71) Applicants: **Edward Kilduff**, New York, NY (US);  
**Shane Blomberg**, Brooklyn, NY (US)

(72) Inventors: **Edward Kilduff**, New York, NY (US);  
**Shane Blomberg**, Brooklyn, NY (US)

(73) Assignee: **FRESHLINK PRODUCT DEVELOPMENT, LLC**, New York, NY (US)

(\*) Notice: This patent is subject to a terminal disclaimer.

(\*\*) Term: **14 Years**

(21) Appl. No.: **29/510,533**

(22) Filed: **Nov. 30, 2014**

**Related U.S. Application Data**

(63) Continuation of application No. 29/477,409, filed on Dec. 20, 2013.

(51) **LOC (10) Cl.** ..... **07-07**

(52) **U.S. Cl.**  
USPC ..... **D7/630**; D7/629; D7/615

(58) **Field of Classification Search**  
USPC ..... D7/608, 612-615, 629, 630, 601, 602;  
220/23.86, 780-806, 574-575; 215/6,  
215/12.1, 12.2; D9/529, 530, 537, 541,  
D9/549, 559, 574, 575

See application file for complete search history.

(56) **References Cited**

U.S. PATENT DOCUMENTS

D590,667	S	*	4/2009	Trombly	.....	D7/629
D641,594	S	*	7/2011	Huang	.....	D7/629
8,342,349	B2	*	1/2013	Lu	.....	220/23.86
D686,885	S	*	7/2013	Meyers et al.	.....	D7/629
2010/0200438	A1	*	8/2010	Davies	.....	206/223

\* cited by examiner

*Primary Examiner* — Terry Wallace

(74) *Attorney, Agent, or Firm* — Klauber & Jackson LLC

(57) **CLAIM**

The ornamental design for a container lid, as shown and described.

**DESCRIPTION**

FIG. 1 is a top, front, right side perspective view of a container lid showing my new design.

FIG. 2 is a bottom, front, right side perspective view thereof.

FIG. 3 is a right side view thereof.

FIG. 4 is a front view thereof.

FIG. 5 is a top plan view thereof.

FIG. 6 is a bottom plan view thereof.

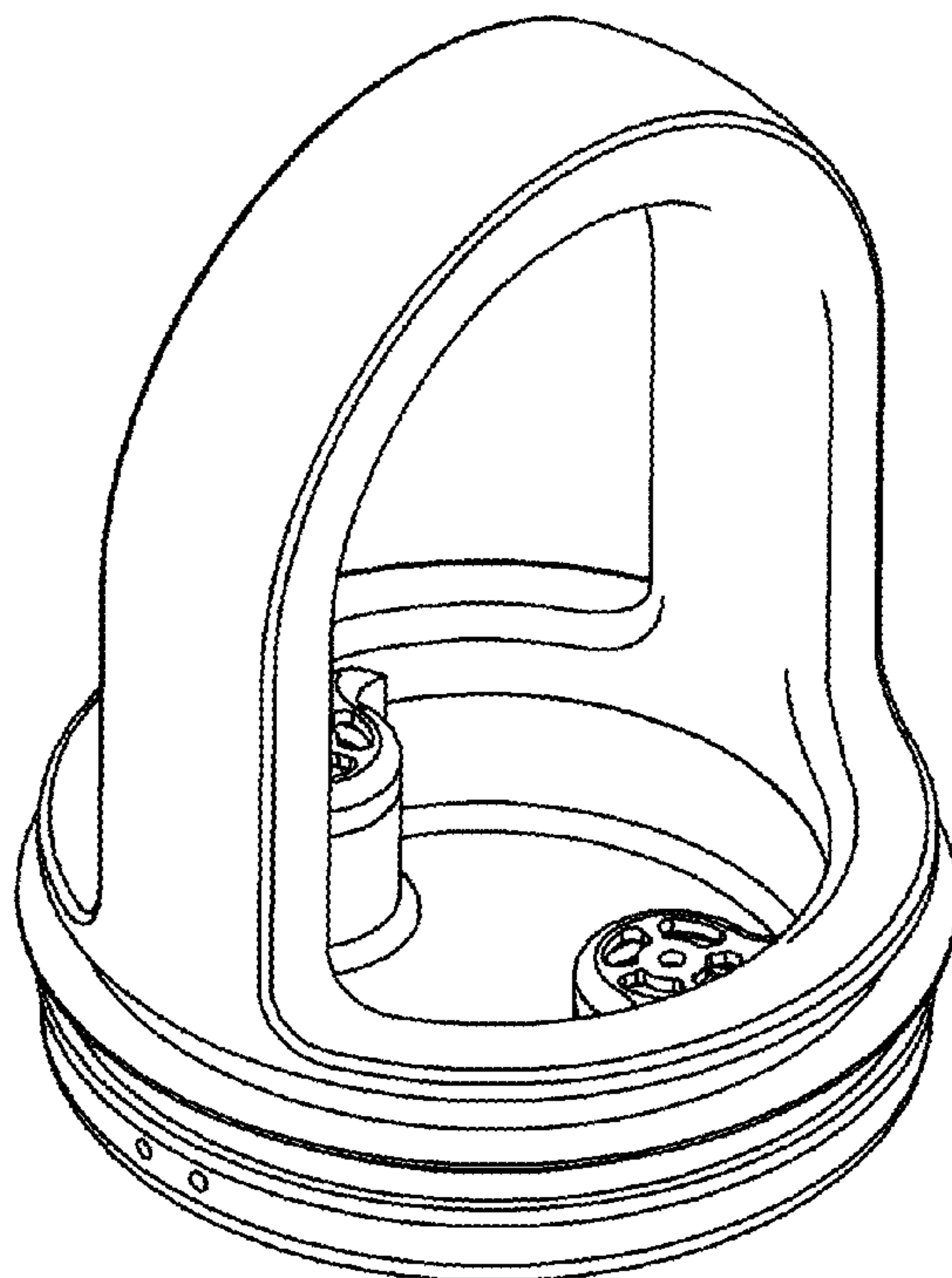
FIG. 7 is a top, front, right side perspective view of an alternate embodiment of FIG. 1.

FIG. 8 is a bottom, front, right side perspective view of FIG. 7.

FIG. 9 is a right side view of FIG. 7, the opposite side being a mirror image; and,

FIG. 10 is a front view of FIG. 7.

**1 Claim, 5 Drawing Sheets**



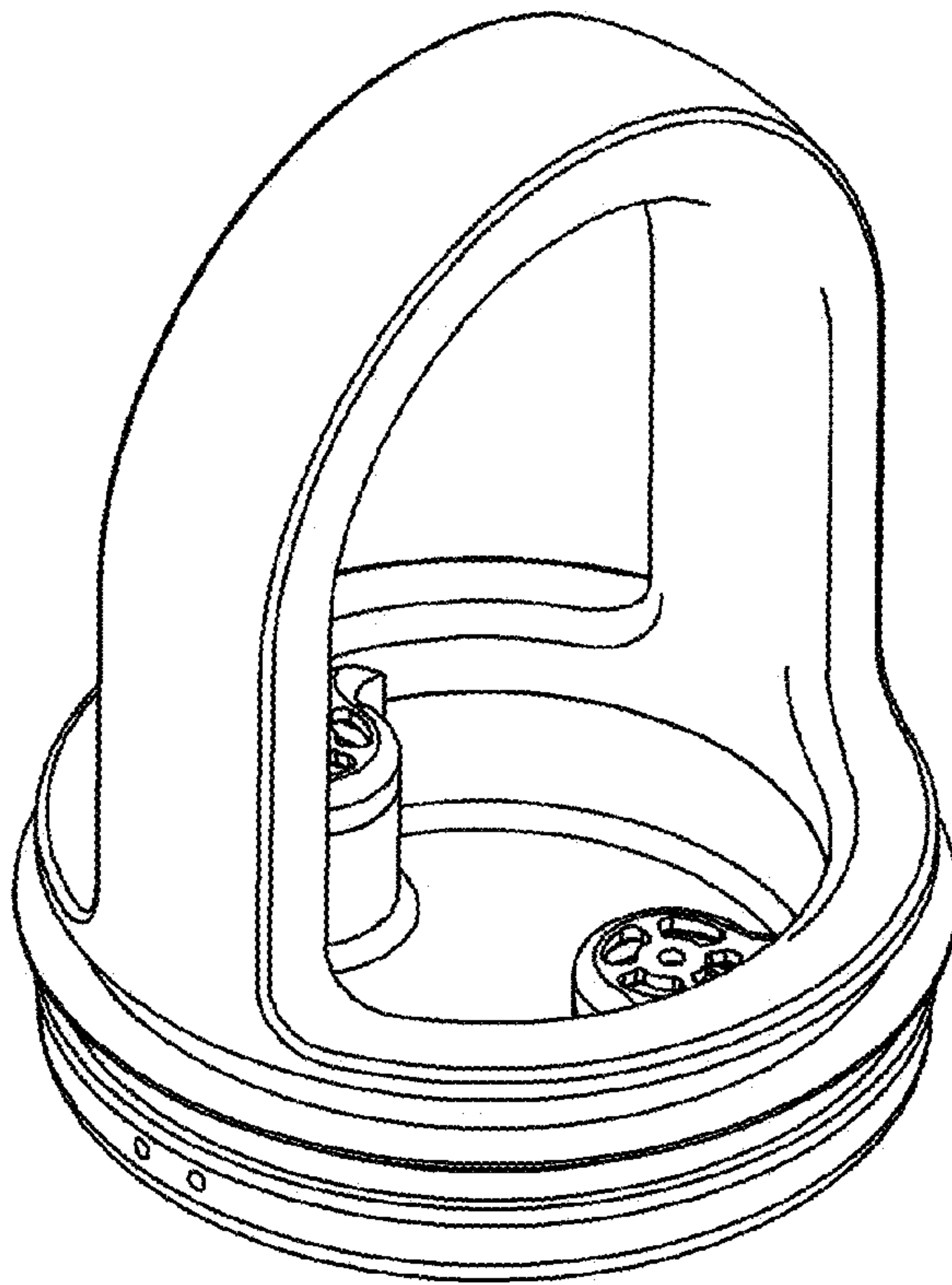


Fig. 1

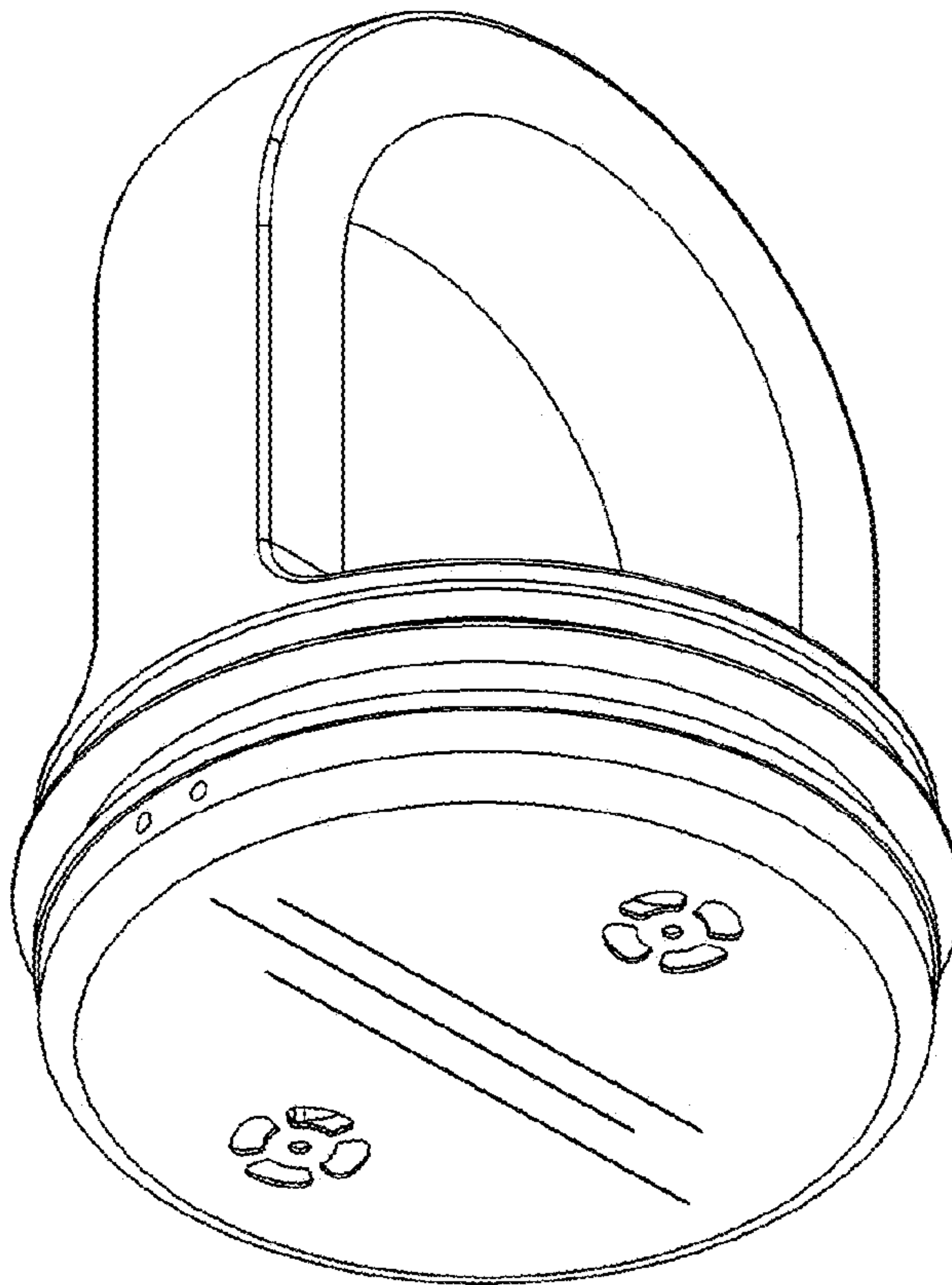


Fig. 2

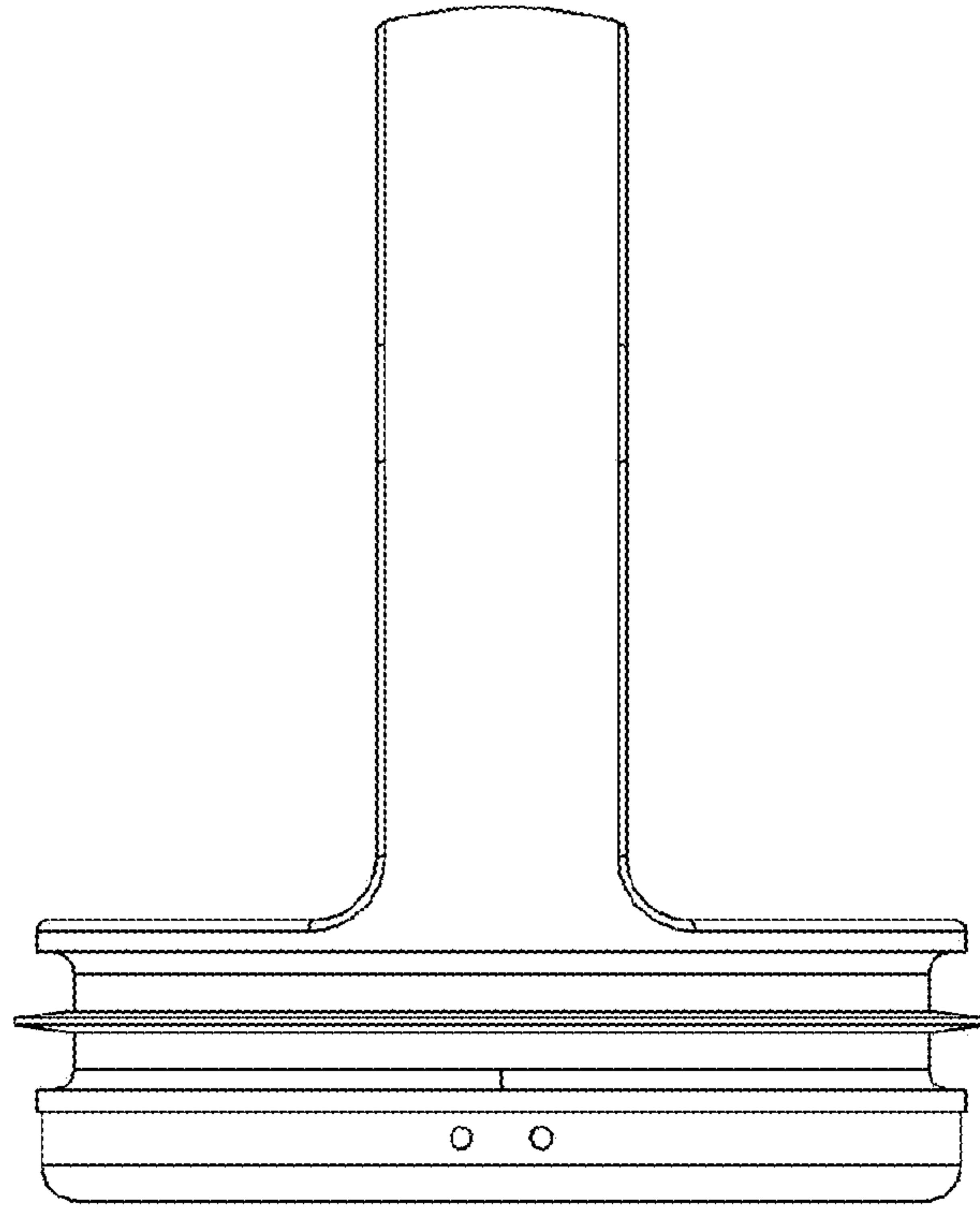


Fig. 3

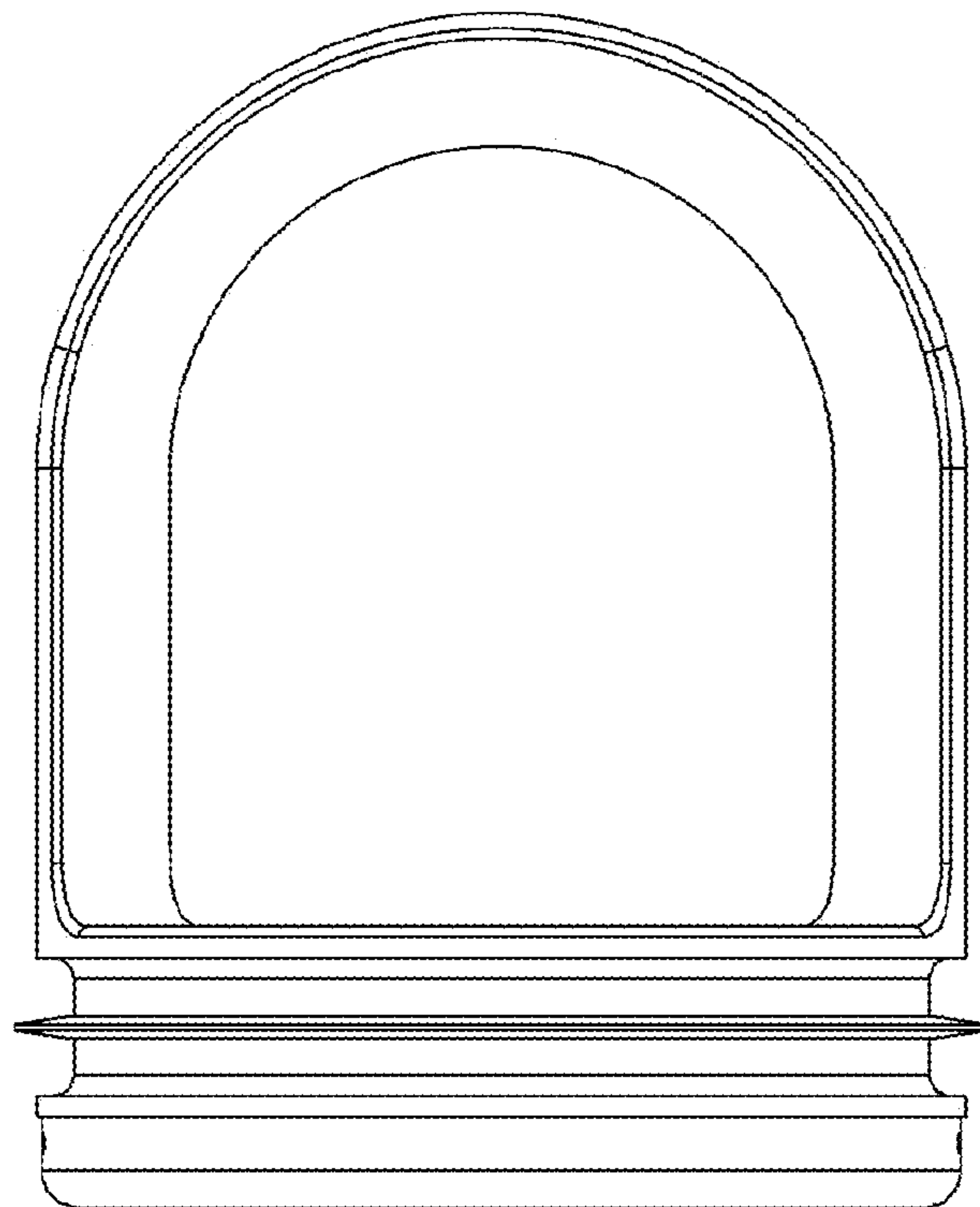


Fig. 4

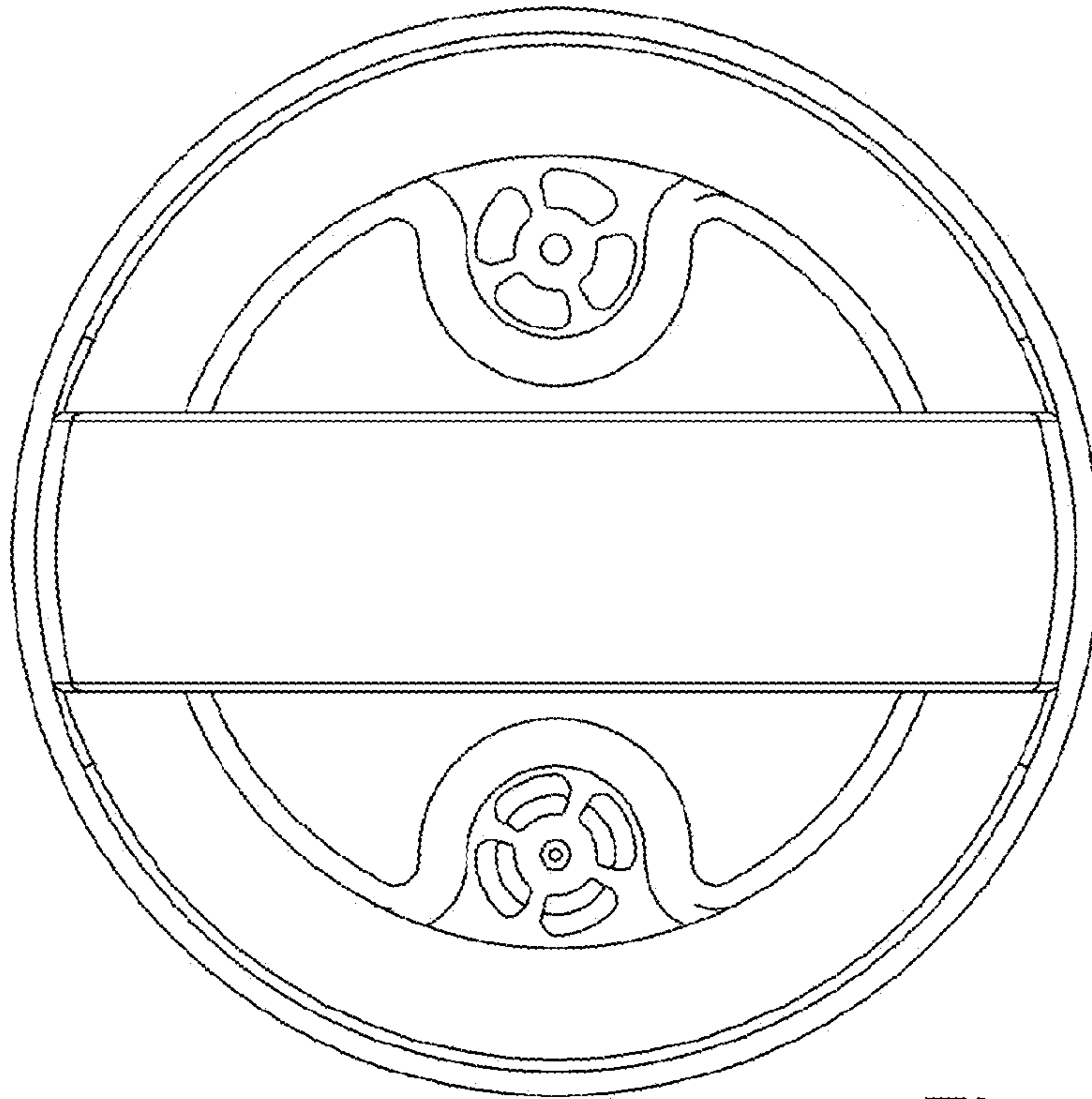


Fig. 5

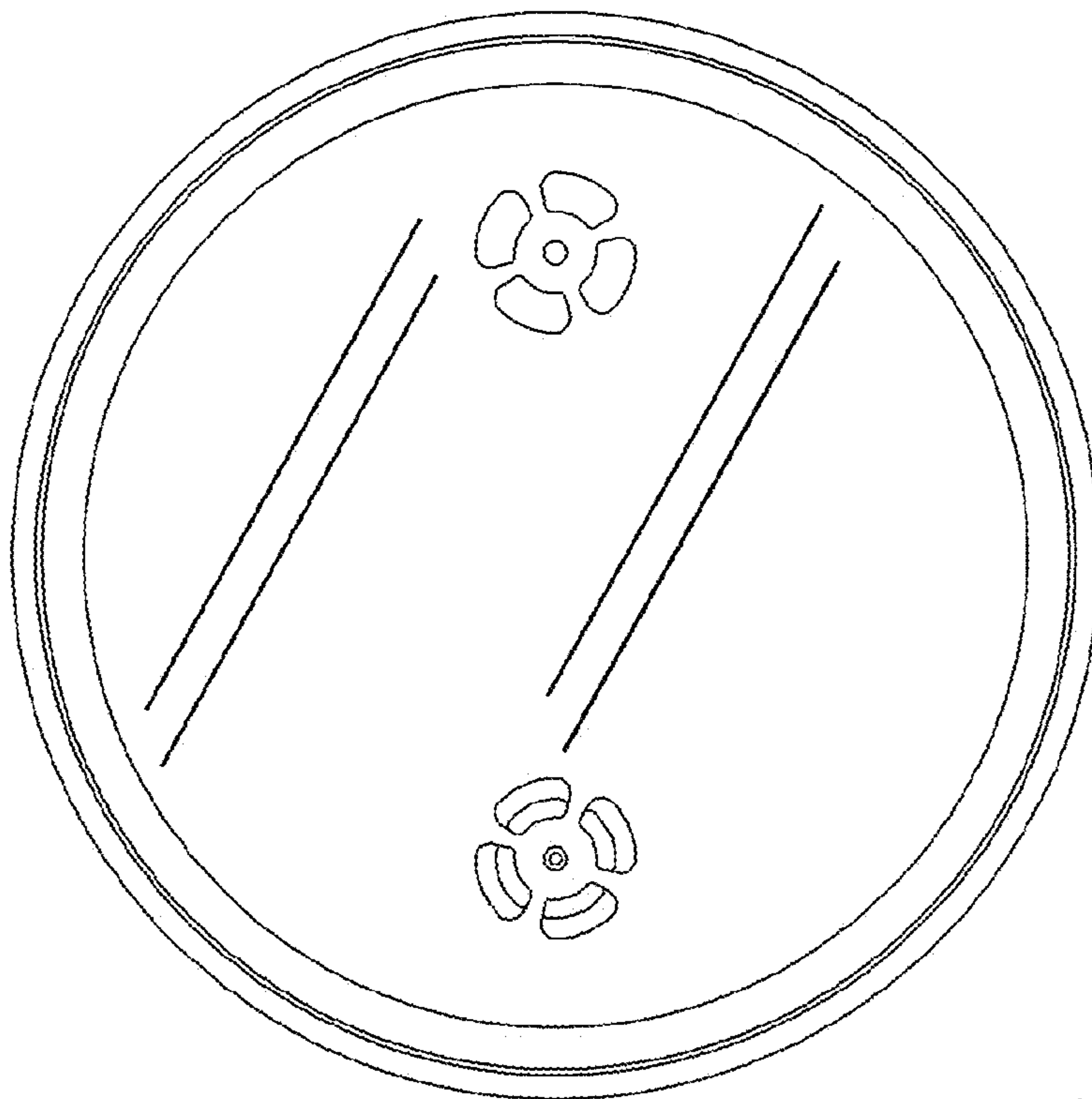


Fig. 6



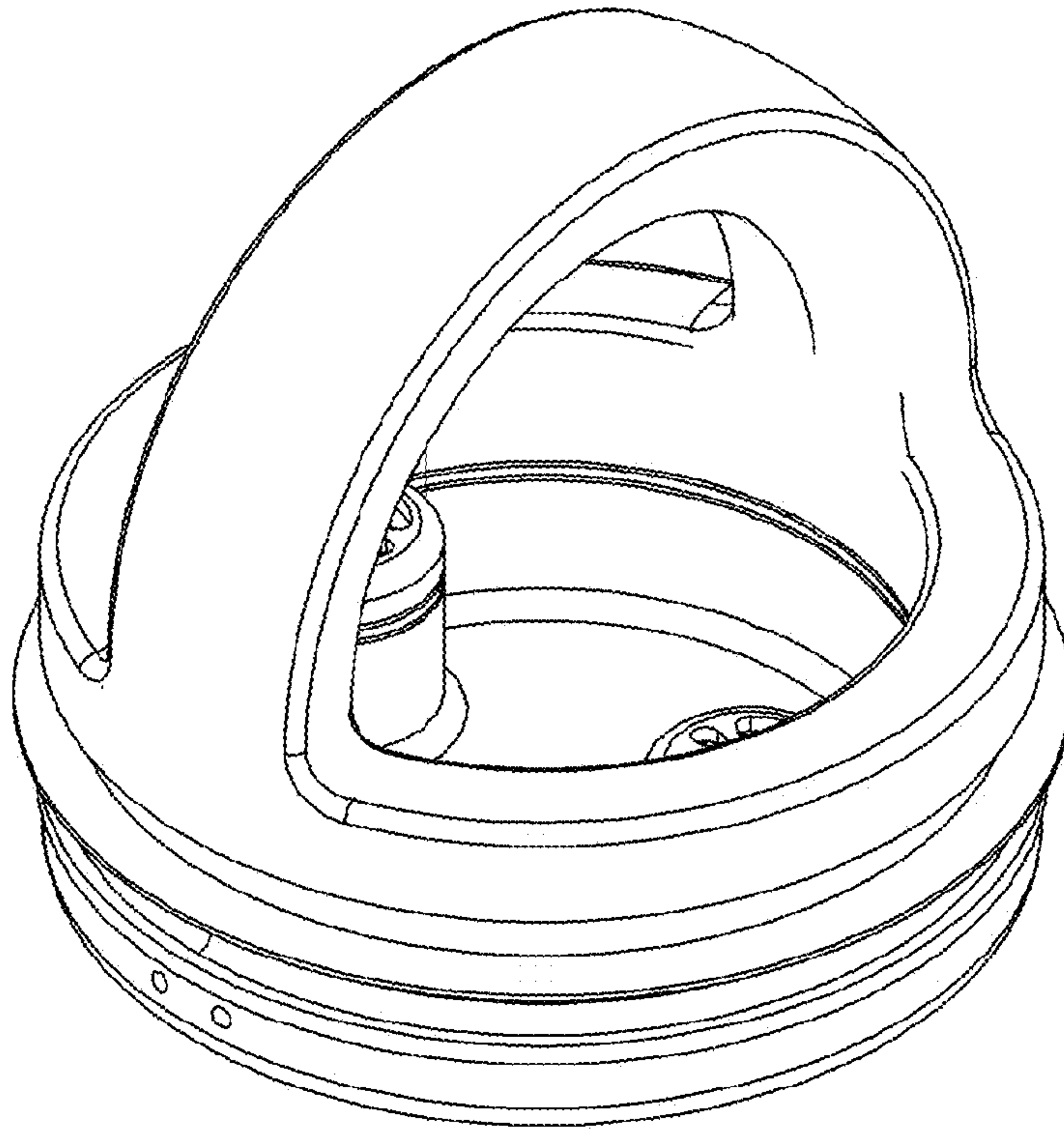


Fig. 7

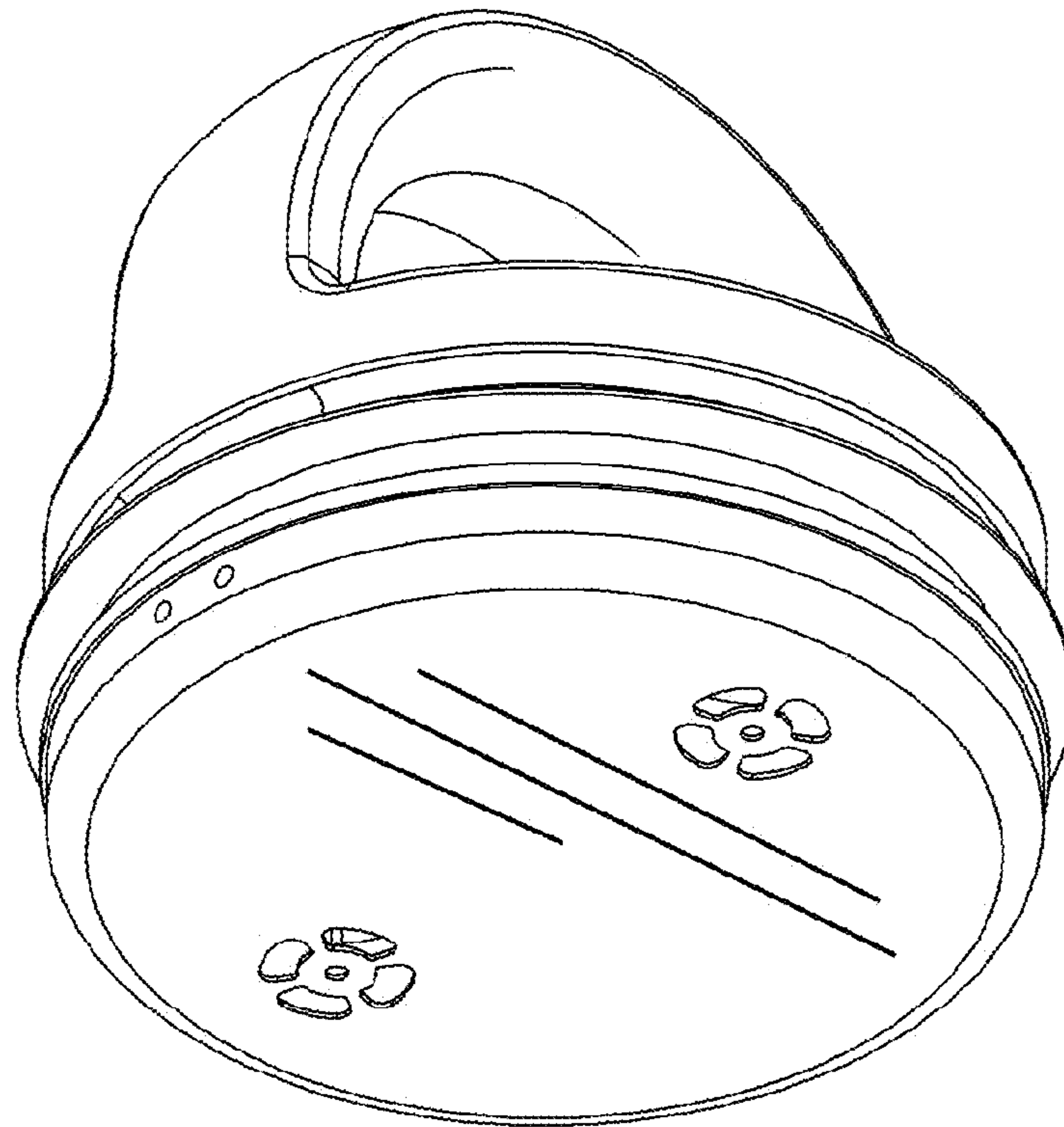


Fig. 8

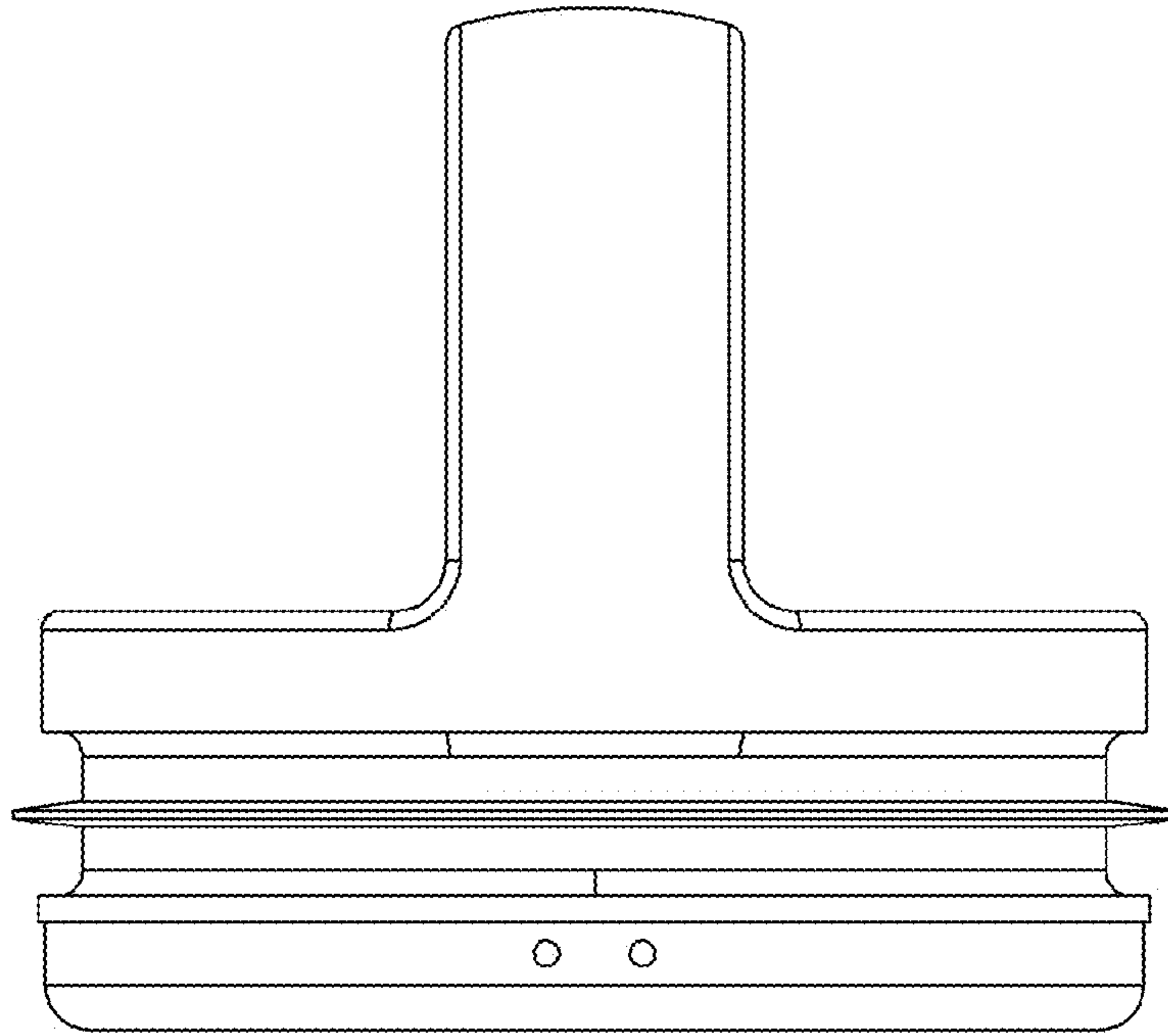


Fig. 9

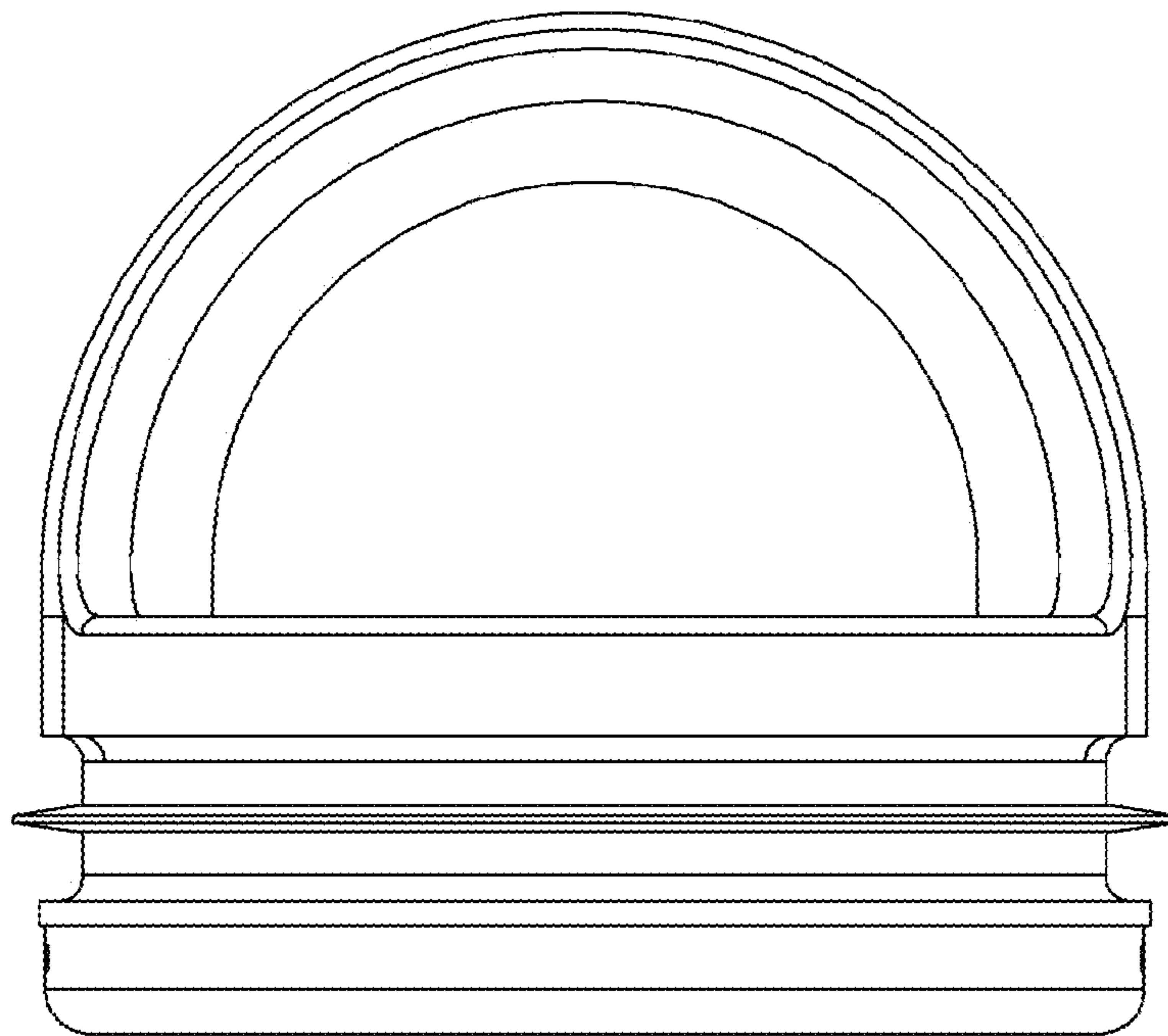


Fig. 10