



US00D736035S

(12) **United States Design Patent**  
**Wang**

(10) **Patent No.:** **US D736,035 S**

(45) **Date of Patent:** **\*\* Aug. 11, 2015**

(54) **DRINKING CUP**

(71) Applicant: **Connie Wang**, Tustin, CA (US)

(72) Inventor: **Connie Wang**, Tustin, CA (US)

(\*\*) Term: **14 Years**

(21) Appl. No.: **29/481,011**

(22) Filed: **Jan. 31, 2014**

(51) **LOC (10) Cl.** ..... **07-01**

(52) **U.S. Cl.**

USPC ..... **D7/510; D7/511; D7/534**

(58) **Field of Classification Search**

USPC ..... D7/507, 509, 510, 511, 512, 514, 515,  
D7/516, 517, 520, 523, 533, 536, 543, 400,  
D7/399, 900, 397; D9/435, 442, 420, 624,  
D9/625; D24/196, 197; 99/323, 323.3;  
220/200, 703, 707, 705, 592.17

CPC ..... A47G 19/22; A47G 19/2205; A47G  
19/2211; A47G 19/2266

See application file for complete search history.

(56) **References Cited**

**U.S. PATENT DOCUMENTS**

4,448,316	A *	5/1984	Hiroshige	.....	215/388
4,852,762	A *	8/1989	Chou-Sheng	.....	220/709
D326,796	S *	6/1992	Kawano	.....	D7/510
D448,244	S *	9/2001	Thomas	.....	D7/510
D454,755	S *	3/2002	Jørgensen	.....	D7/510
D457,396	S *	5/2002	Janky et al.	.....	D7/510
D616,706	S *	6/2010	Bofinger et al.	.....	D7/534
D621,124	S *	8/2010	Biegel	.....	D99/5
D627,599	S *	11/2010	Richau et al.	.....	D7/510
D641,631	S *	7/2011	Kawahara et al.	.....	D9/503

D668,914	S *	10/2012	Riedel et al.	.....	D7/510
D676,277	S *	2/2013	Riedel et al.	.....	D7/396.1
D683,185	S *	5/2013	Thomas	.....	D7/510
D683,189	S *	5/2013	Thomas	.....	D7/511
D686,453	S *	7/2013	Smiedt et al.	.....	D7/510
D692,724	S *	11/2013	Smiedt et al.	.....	D7/510
D698,600	S *	2/2014	Aslan	.....	D7/393
D710,147	S *	8/2014	Saxton	.....	D7/393
D713,687	S *	9/2014	Lv	.....	D7/510
D715,099	S *	10/2014	Lv	.....	D7/510
D717,105	S *	11/2014	Aslan	.....	D7/393
2013/0233870	A1 *	9/2013	Miller	.....	220/719

\* cited by examiner

*Primary Examiner* — Marianne Pandozzi

*Assistant Examiner* — Jae Liang

(74) *Attorney, Agent, or Firm* — Steven N. Fox, Esq.

(57) **CLAIM**

The ornamental design for a drinking cup, as shown and described.

**DESCRIPTION**

FIG. 1 is a top perspective view of a drinking cup showing my new design;

FIG. 2 is a front view thereof;

FIG. 3 is a rear view thereof;

FIG. 4 is a left side view thereof;

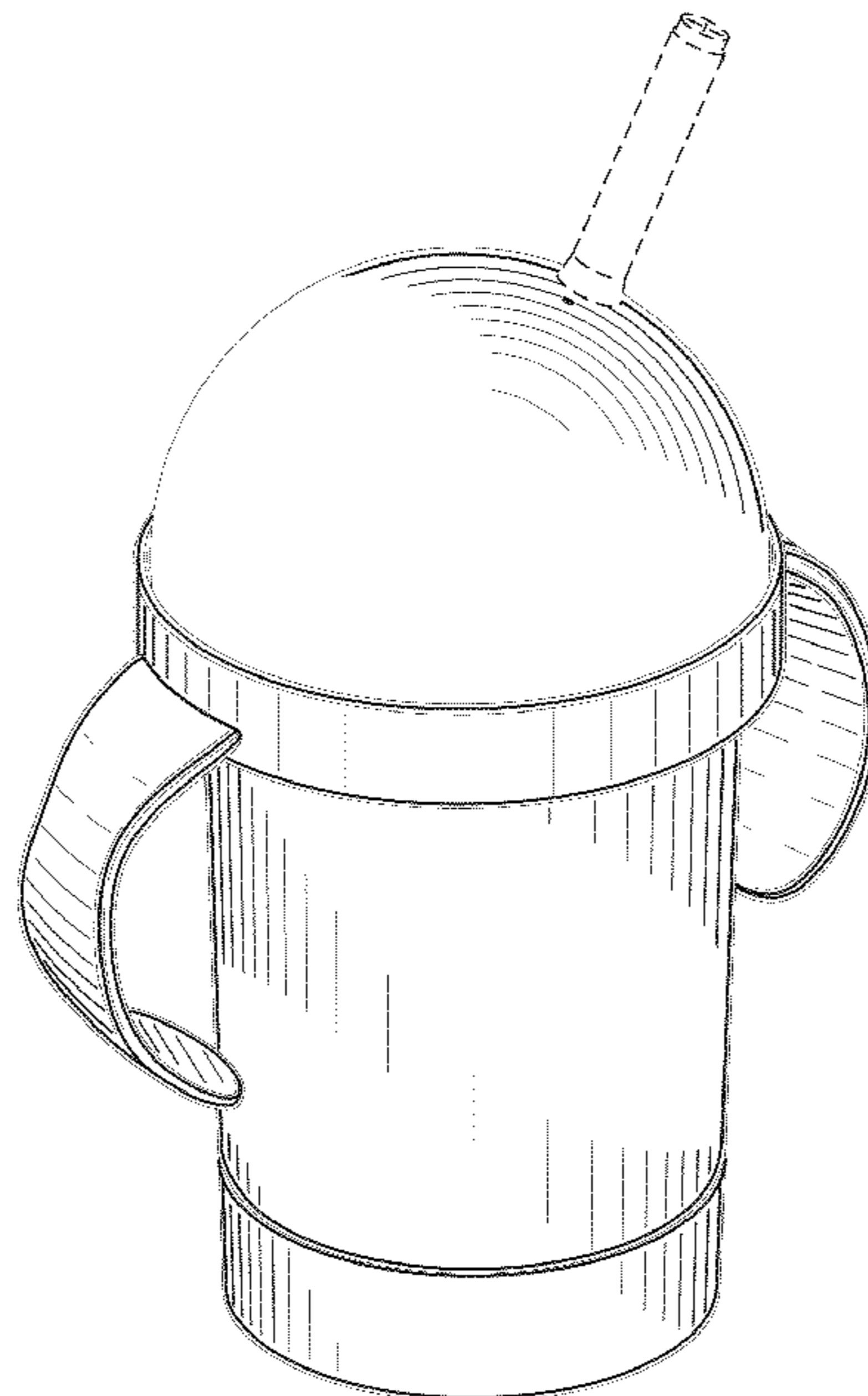
FIG. 5 is a right side view thereof;

FIG. 6 is a top view thereof; and,

FIG. 7 is a bottom view thereof.

The broken line showing in the figure drawings are included for the purpose of illustration and form no part of the claimed design.

**1 Claim, 4 Drawing Sheets**



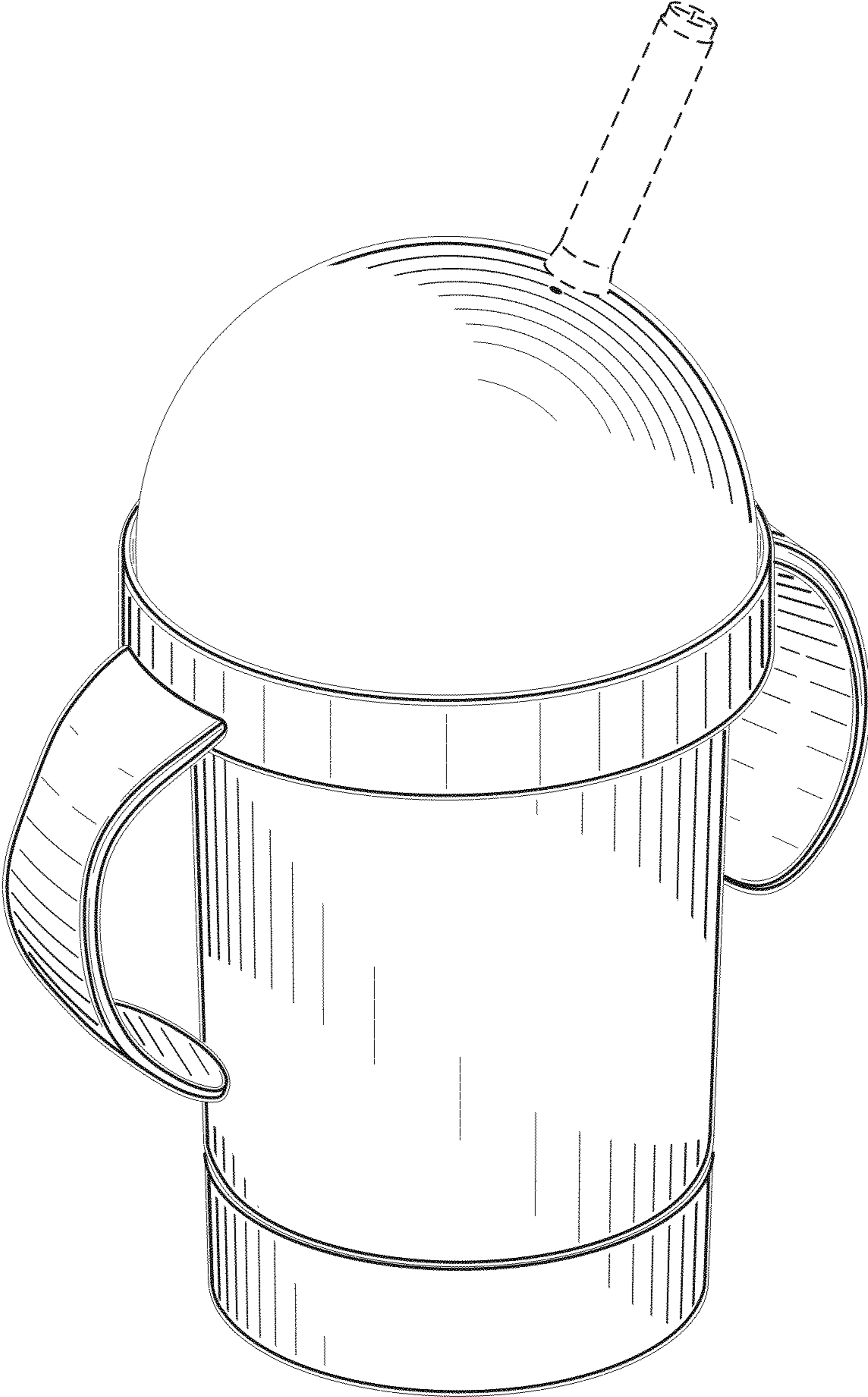


FIG. 1

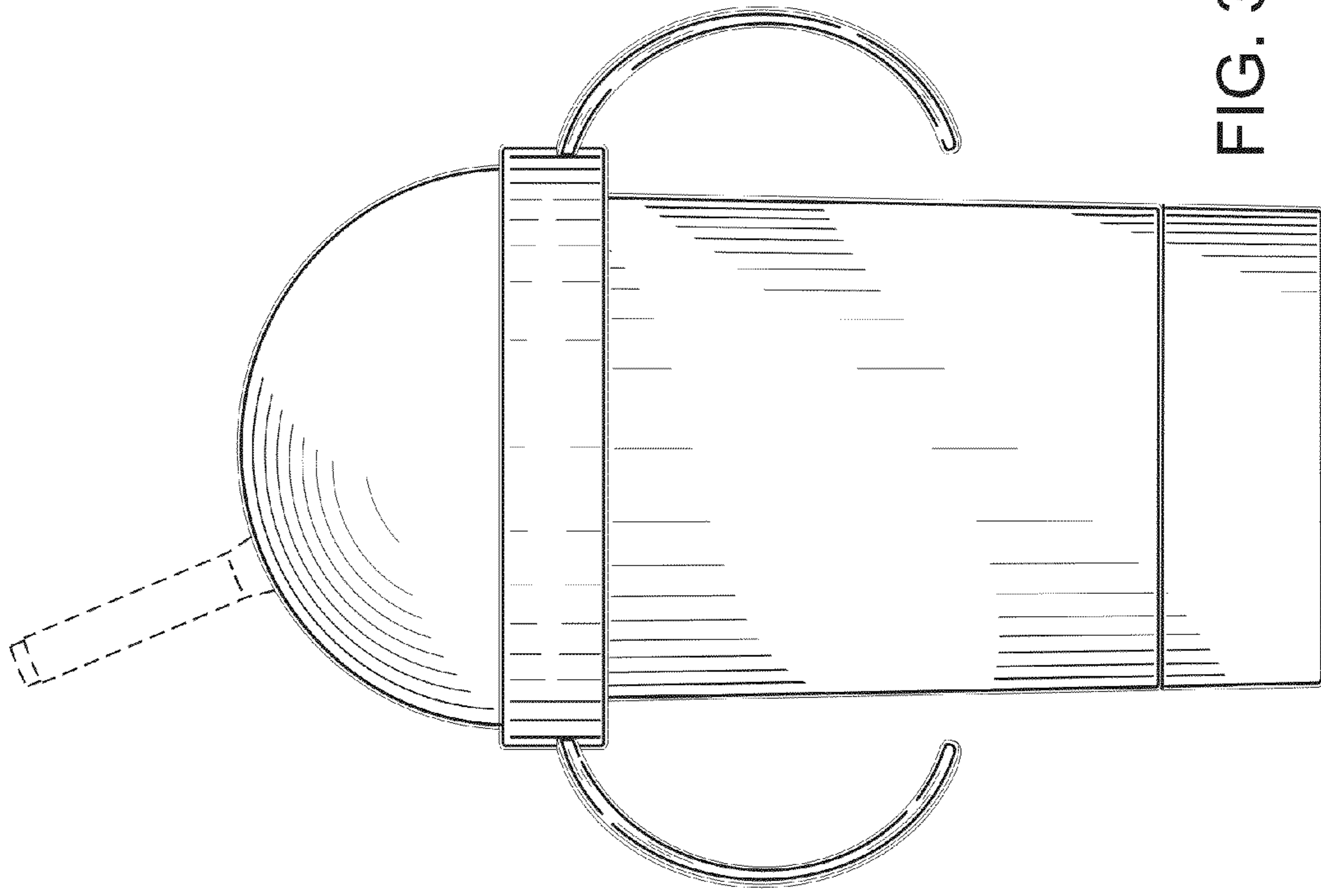


FIG. 3

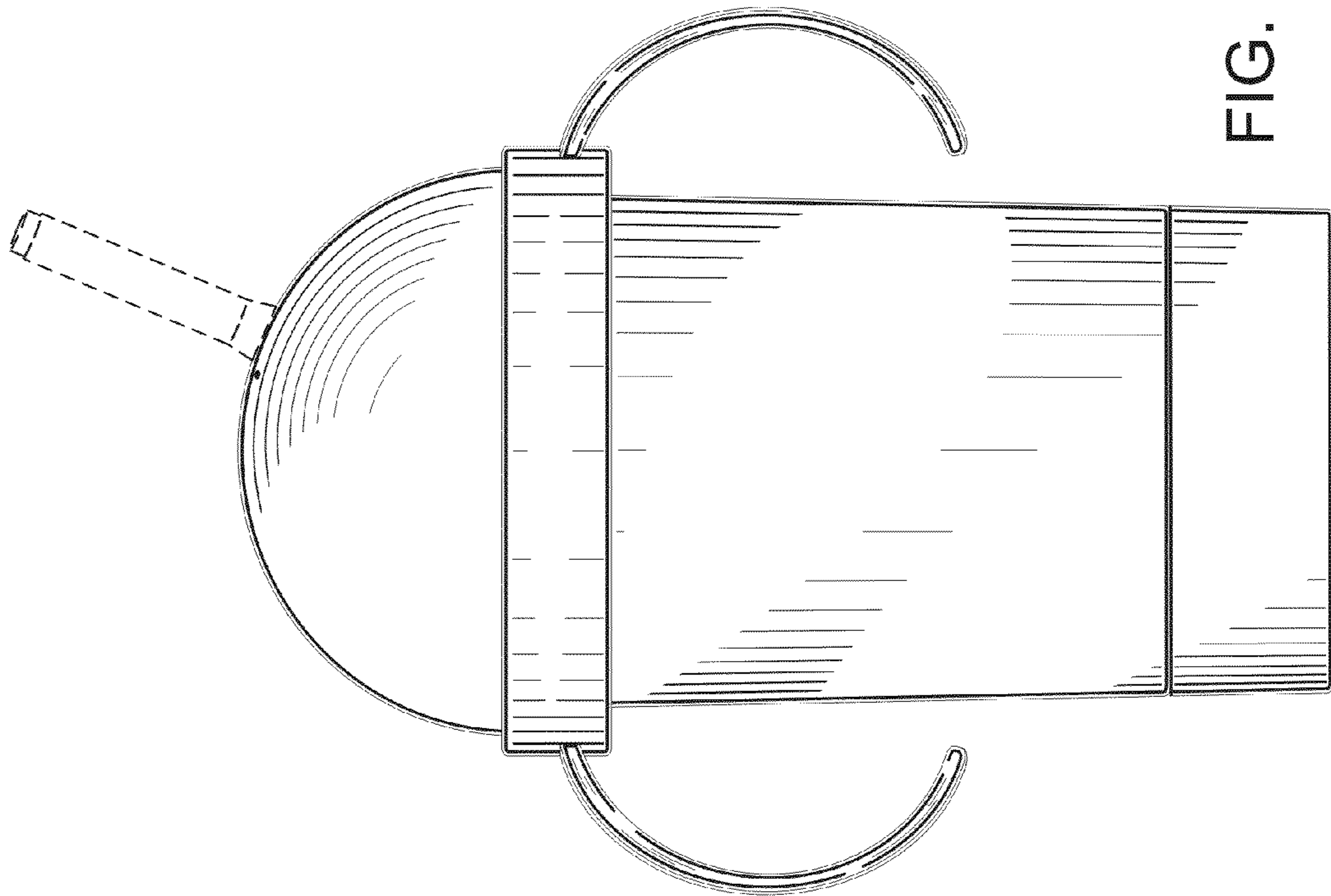


FIG. 2

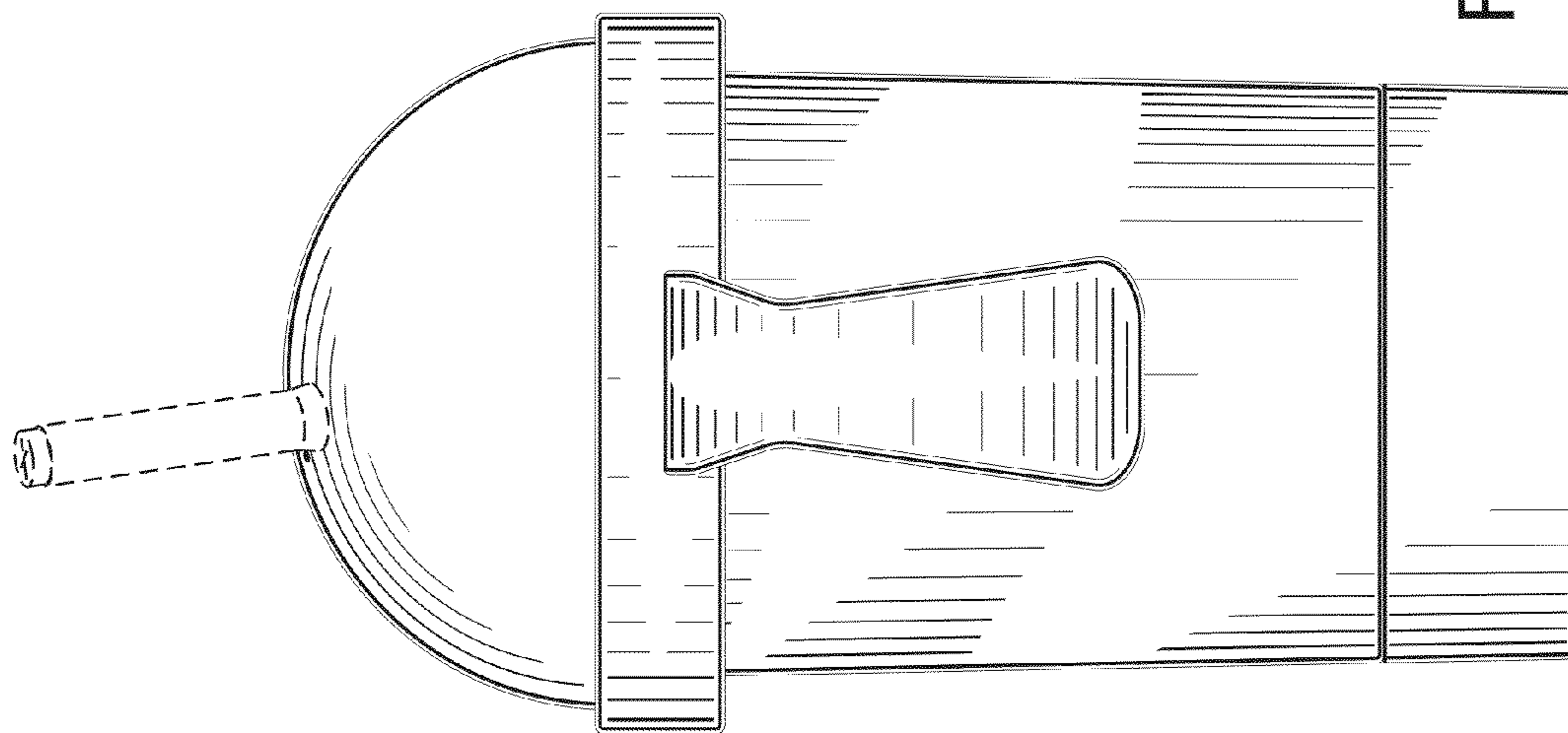


FIG. 5

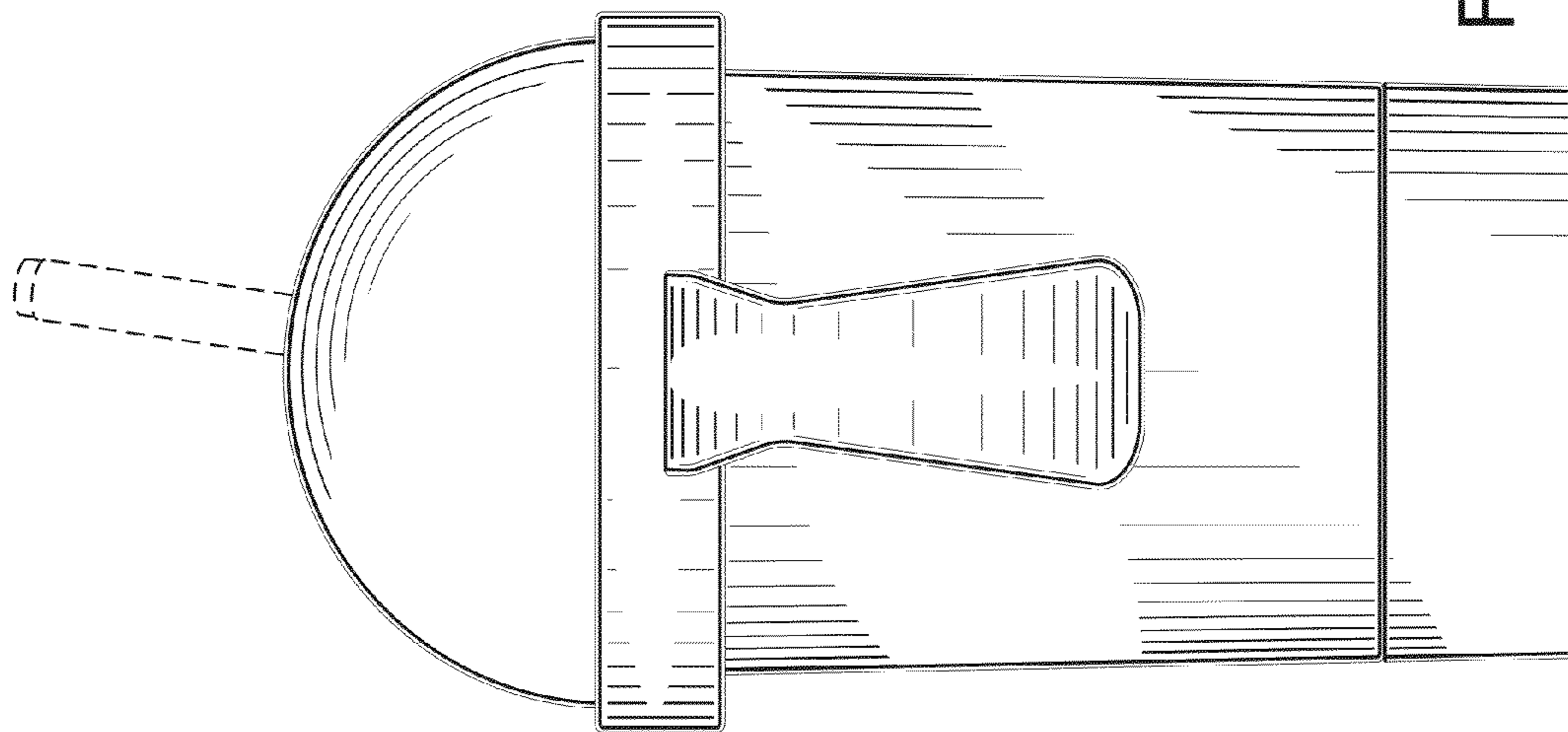


FIG. 4

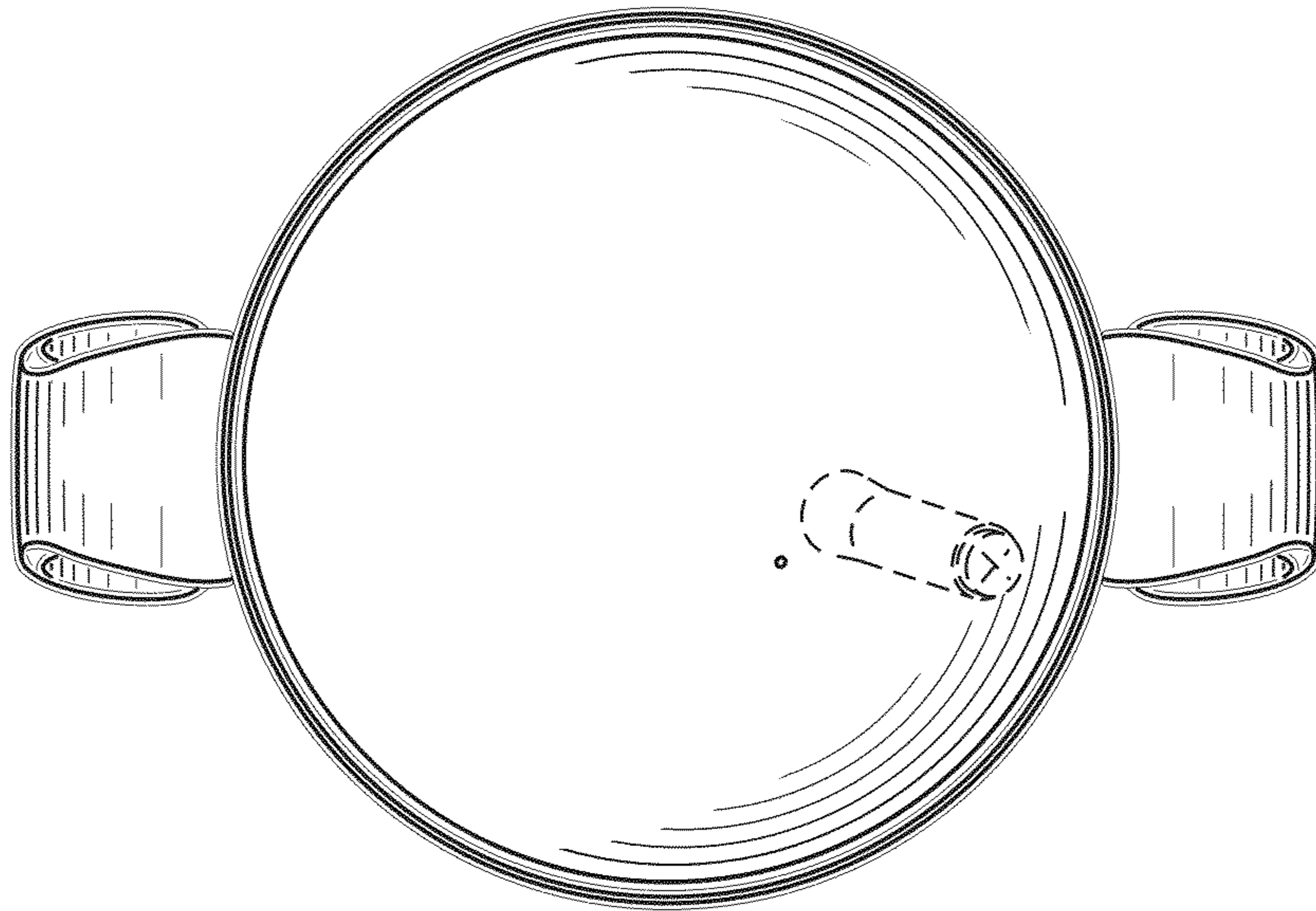


FIG. 6

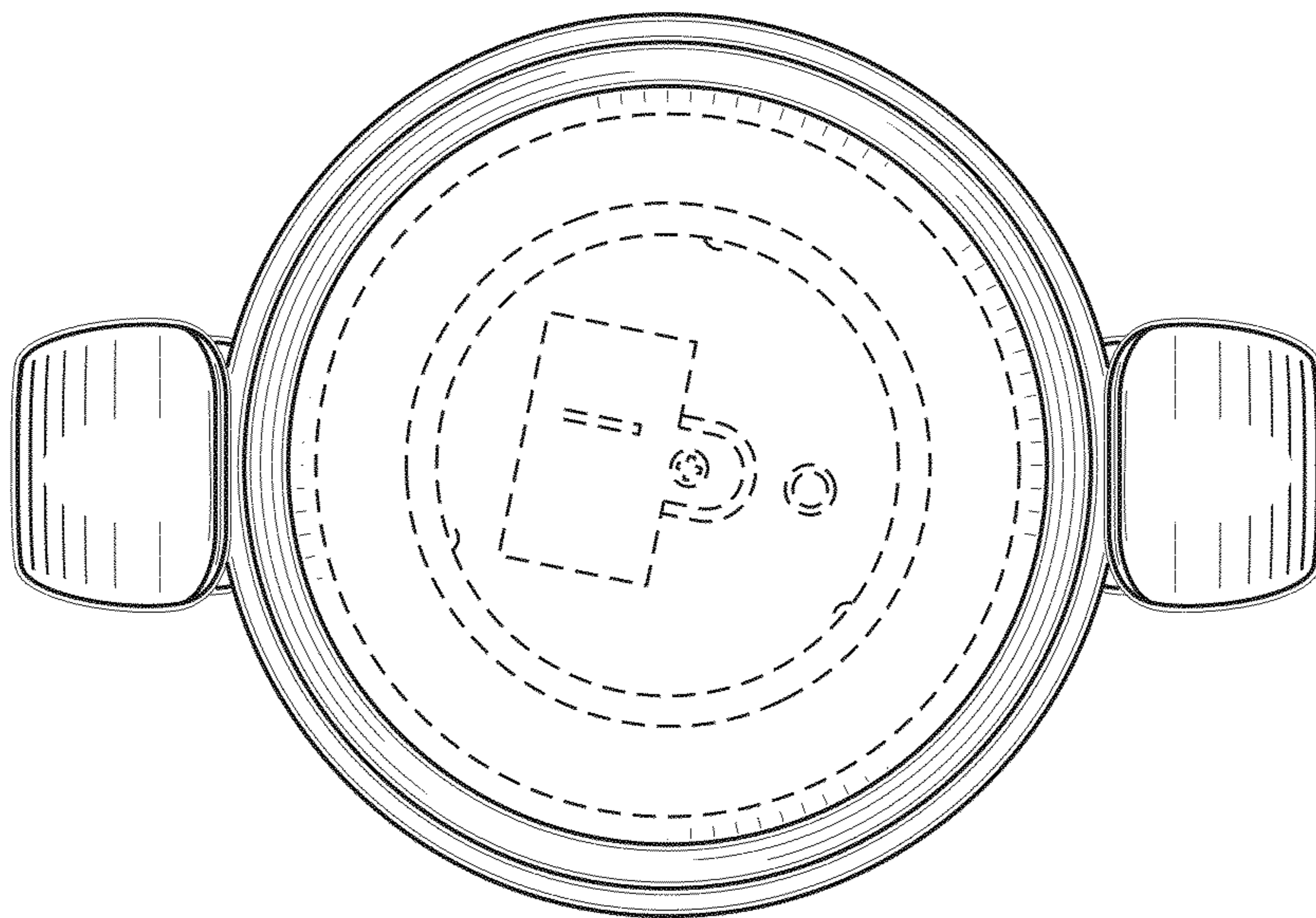


FIG. 7