



US00D736034S

(12) **United States Design Patent**
Spivey et al.

(10) **Patent No.:** **US D736,034 S**

(45) **Date of Patent:** **** Aug. 11, 2015**

(54) **TUMBLER SET**

(71) Applicants: **Patrick Spivey**, Smyrna, GA (US); **Ken Kreafle**, Atlanta, GA (US)

(72) Inventors: **Patrick Spivey**, Smyrna, GA (US); **Ken Kreafle**, Atlanta, GA (US)

(**) Term: **14 Years**

(21) Appl. No.: **29/449,997**

(22) Filed: **Mar. 15, 2013**

(51) **LOC (10) Cl.** **07-01**

(52) **U.S. Cl.**
USPC **D7/510**

(58) **Field of Classification Search**
USPC D7/507, 509-512, 523, 531, 532, 533,
D7/535, 536, 392, 392.1, 396.2, 608;
D9/500, 502-504; 220/705-709
CPC A47G 19/22-19/2222; A47G
19/2266-19/2272; B65D 1/265; B65D
81/3865-81/3886

See application file for complete search history.

(56) **References Cited**

U.S. PATENT DOCUMENTS

4,121,835	A *	10/1978	Garabedian	D7/510
4,494,668	A *	1/1985	Lottick	220/709
4,948,009	A *	8/1990	Sawatani	220/709
D327,816	S	7/1992	Paullin		
D345,676	S *	4/1994	Biffle	D7/510
5,361,935	A *	11/1994	Sagucio	220/709
D424,376	S	5/2000	Malusek		
D425,370	S	5/2000	Mulusek		

D476,193	S	6/2003	Janky		
D488,348	S	4/2004	Liu		
D640,094	S *	6/2011	Carlson et al.	D7/510
D642,864	S *	8/2011	Tobias	D7/510
D648,985	S *	11/2011	Chiu et al.	D7/510
D673,421	S	1/2013	Chiu		
D674,241	S *	1/2013	Bickert et al.	D7/510
D677,523	S *	3/2013	Blckert et al.	D7/392.1
2004/0169002	A1 *	9/2004	White-Wooten	220/709
2004/0245250	A1 *	12/2004	Hidalgo et al.	220/709
2012/0247998	A1 *	10/2012	Wahl	220/23.87

* cited by examiner

Primary Examiner — Susan Bennett Hattan

Assistant Examiner — Brett Miller

(74) *Attorney, Agent, or Firm* — QuickPatents; Kevin Prince

(57) **CLAIM**

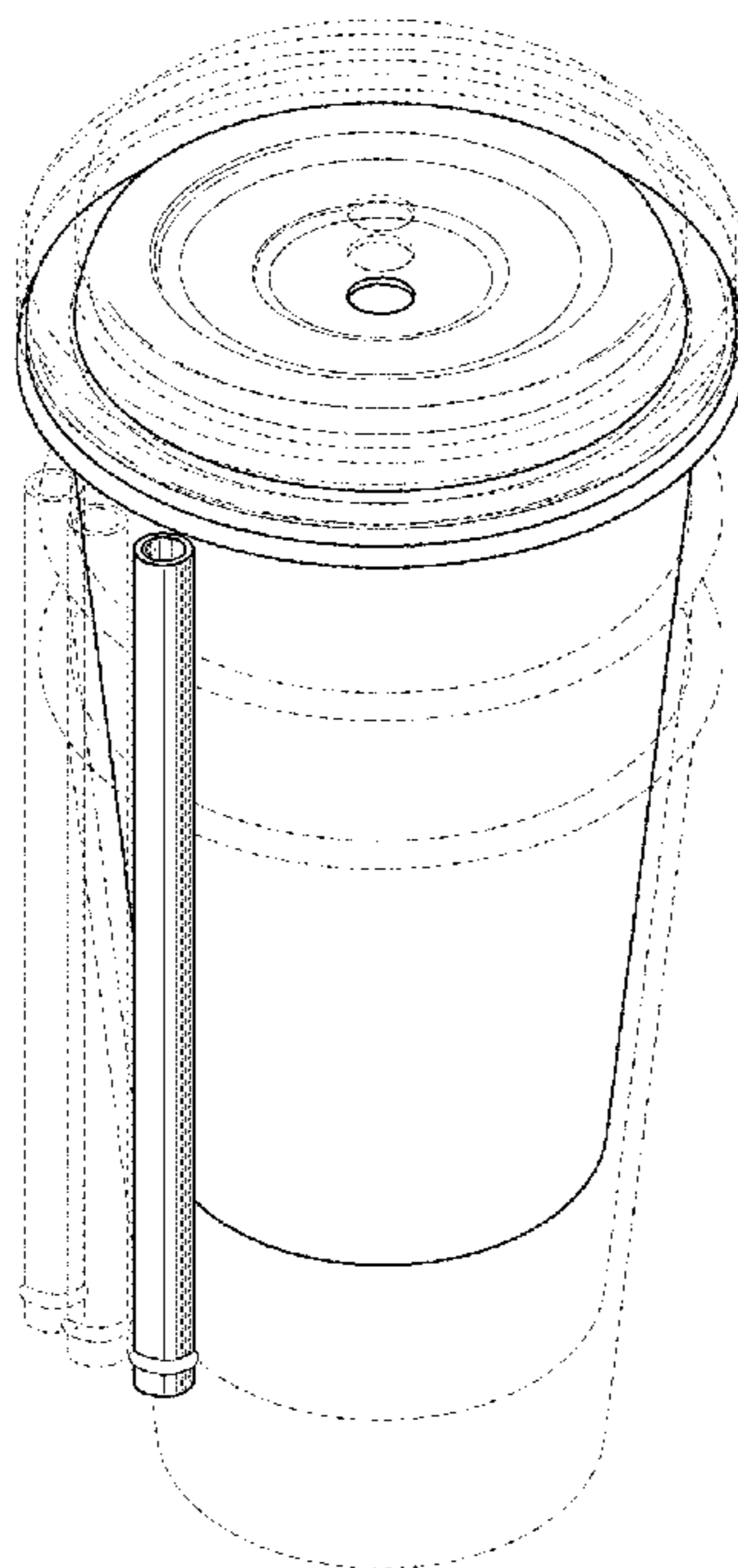
We claim the ornamental design for a tumbler set, as shown and described.

DESCRIPTION

FIG. 1 is a top perspective view of a tumbler set, showing our new design in a packaged configuration;
FIG. 2 is an exploded bottom perspective view thereof;
FIG. 3 is an exploded front elevational view thereof, the rear elevational view, left-side elevational view, and right-side elevational view all being identical;
FIG. 4 is a top plan view thereof;
FIG. 5 is a bottom plan view thereof; and,
FIG. 6 is a cross-sectional view thereof, taken along line 6-6 of FIG. 4.

The broken lines showing additional tumbler sets in FIG. 1 depict environmental matter and form no part of the claimed design.

1 Claim, 3 Drawing Sheets



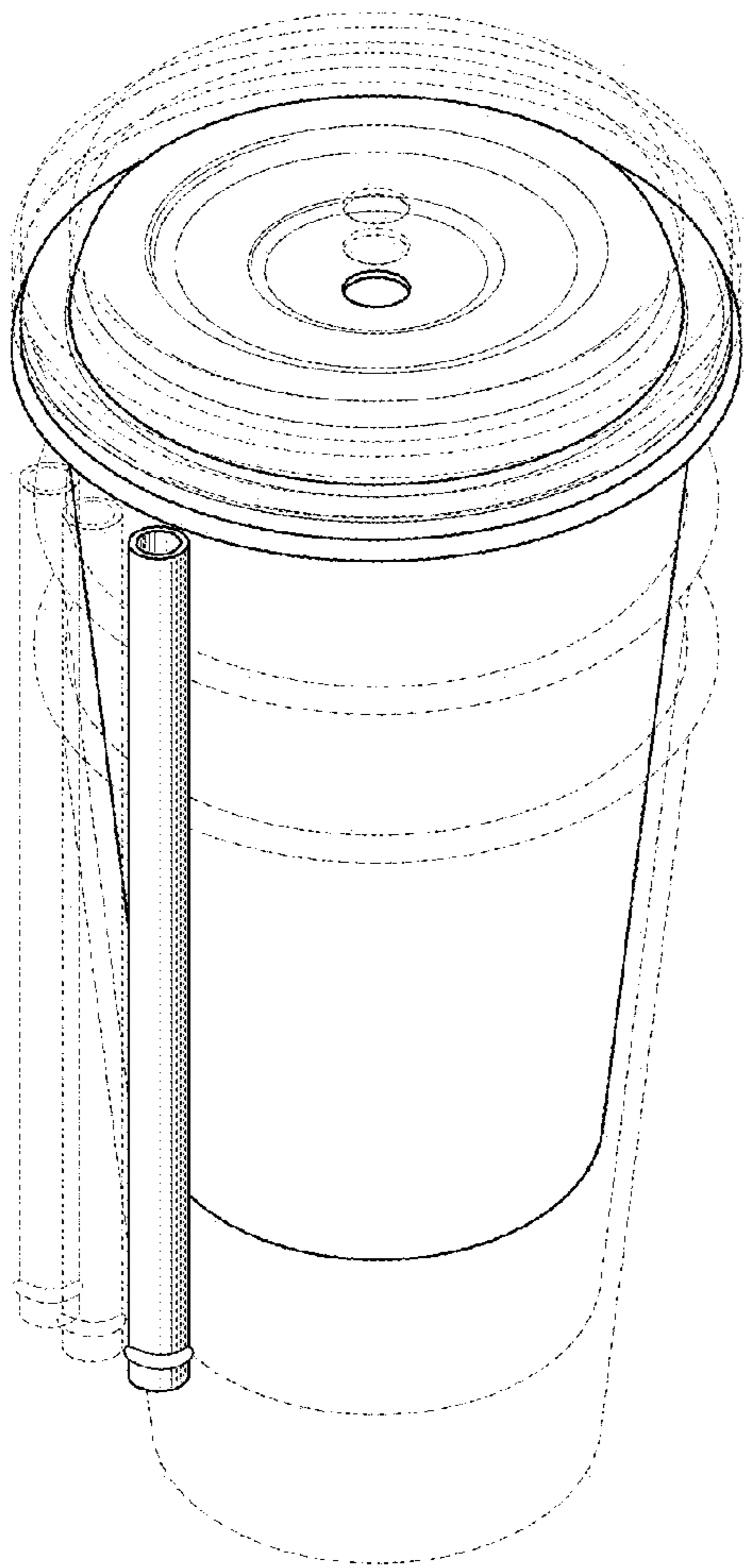


FIG. 1

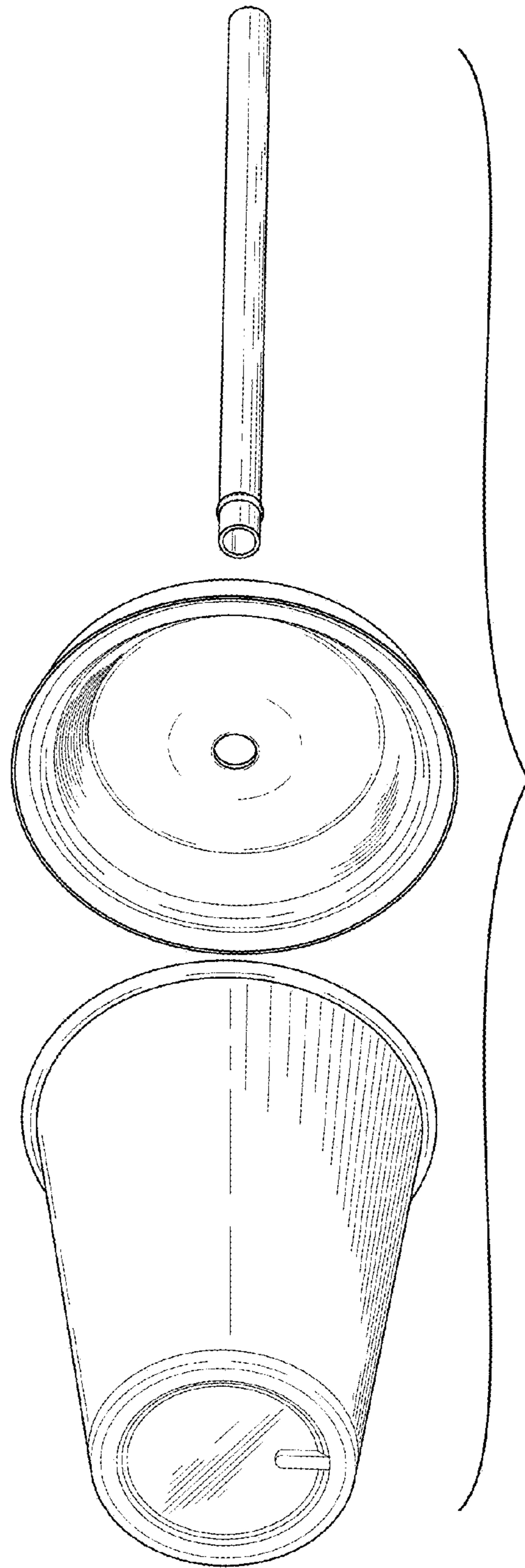


FIG. 2

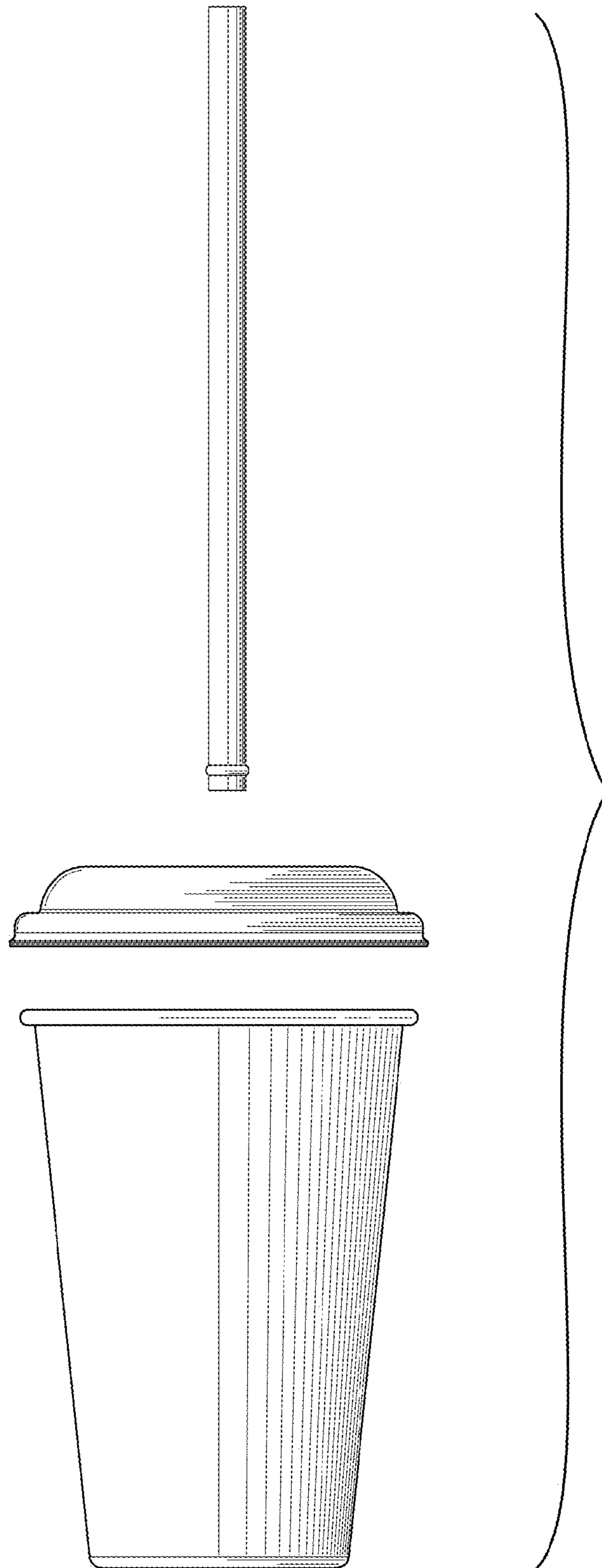


FIG. 3

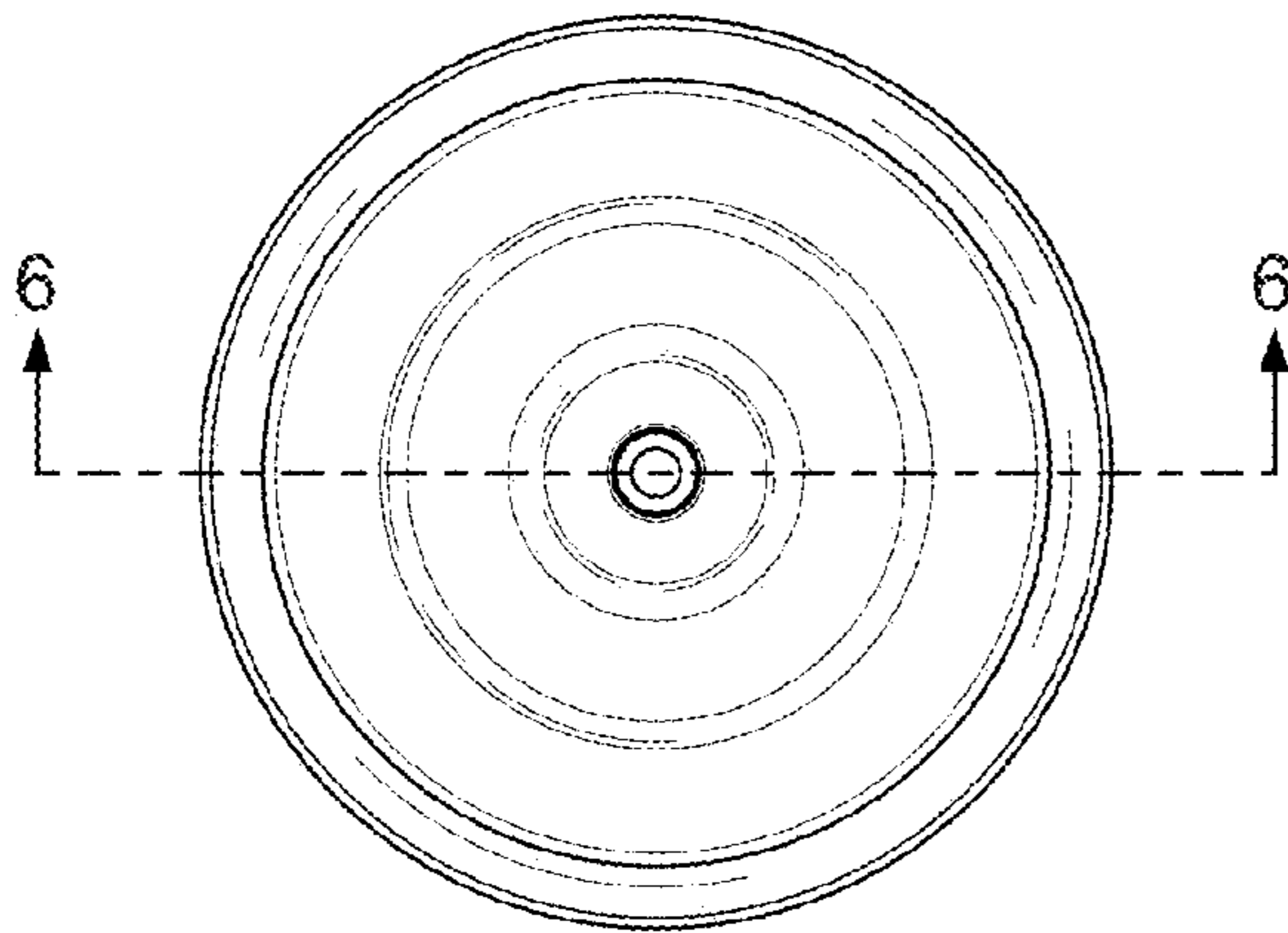


FIG. 4

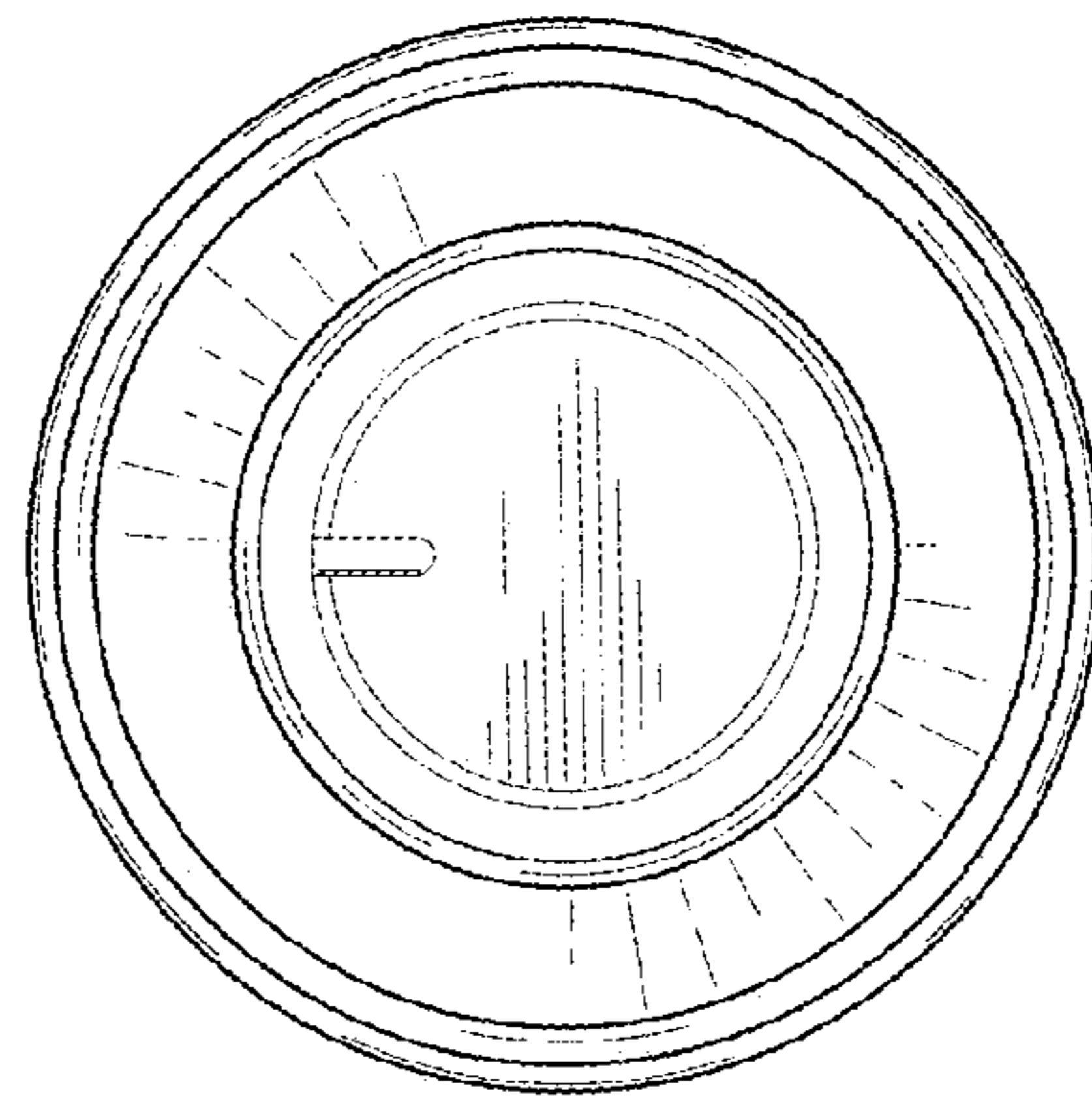


FIG. 5

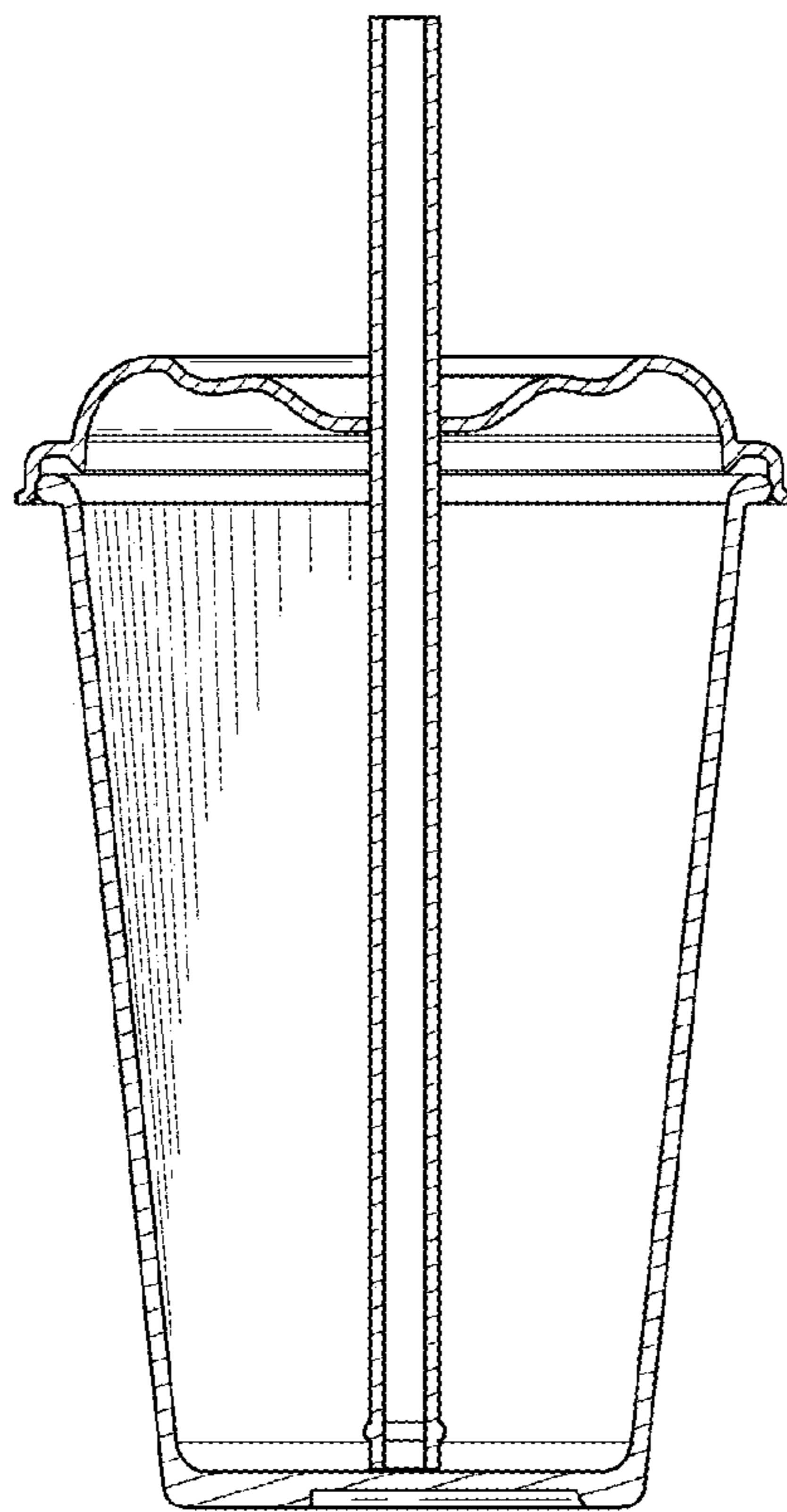


FIG. 6