



US00D736030S

(12) **United States Design Patent**
Cottam et al.

(10) **Patent No.:** **US D736,030 S**
(45) **Date of Patent:** **** Aug. 11, 2015**

(54) **ROTARY GRINDER MILL**

(71) Applicants: **Steven Cottam**, Ivins, UT (US); **Phillip Dietz**, Saint George, UT (US)

(72) Inventors: **Steven Cottam**, Ivins, UT (US); **Phillip Dietz**, Saint George, UT (US)

(73) Assignee: **L'Chef**, St. George, UT (US)

(**) Term: **14 Years**

(21) Appl. No.: **29/484,784**

(22) Filed: **Mar. 13, 2014**

(51) **LOC (10) Cl.** **31-00**

(52) **U.S. Cl.**
USPC **D7/372**

(58) **Field of Classification Search**
USPC D7/679, 372-376; 99/279-280, 286,
99/288, 290-292, 323.3; 241/36, 37.5, 49,
241/55, 79.1, 92, 100, 186.4, 188.2, 259,
241/286
CPC B02C 13/24; B02C 7/18; B02C 7/13;
B02C 7/04; A47J 42/46; A47J 42/26
See application file for complete search history.

(56) **References Cited**

U.S. PATENT DOCUMENTS

3,488,008	A *	1/1970	Bodine	241/49
3,497,144	A	2/1970	Hint		
4,060,206	A *	11/1977	Granzow	241/259.1
4,203,555	A	5/1980	Dickson		
4,422,578	A	12/1983	Scott		
5,660,339	A	8/1997	Scott		
D511,269	S *	11/2005	MacWilliam	D7/372
D621,206	S *	8/2010	Matta et al.	D7/372
D630,467	S *	1/2011	Harrod	D7/376

* cited by examiner

Primary Examiner — Terry Wallace

(74) *Attorney, Agent, or Firm* — Zachary D. Renstrom

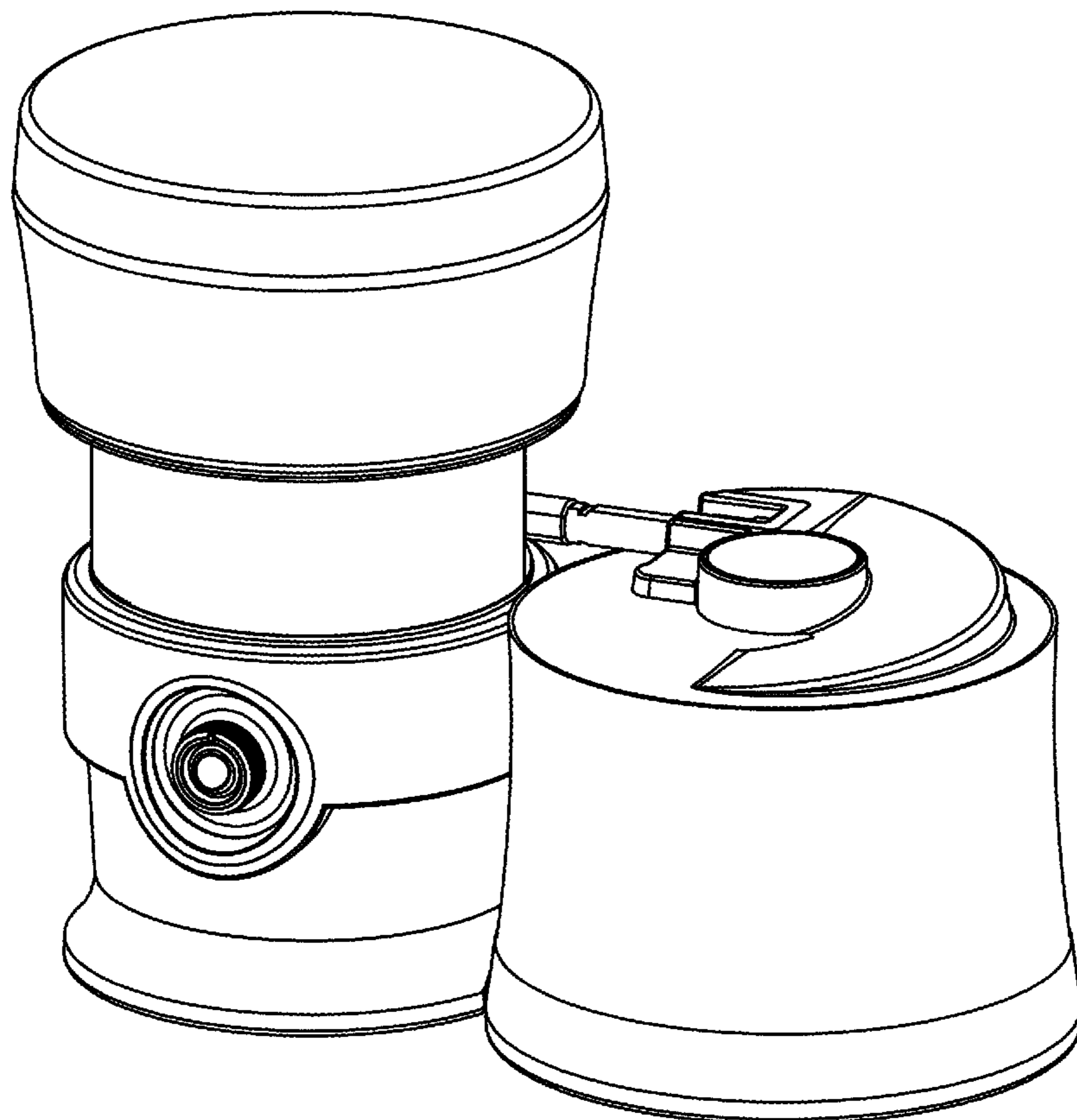
(57) **CLAIM**

The ornamental design for a rotary grinding mill, as shown and described.

DESCRIPTION

FIG. 1 is a side elevation view of a rotary grinding mill in the first position;
FIG. 2 is an explode view thereof in the second position; and,
FIG. 3 is a side elevation view thereof in the second position.

1 Claim, 2 Drawing Sheets



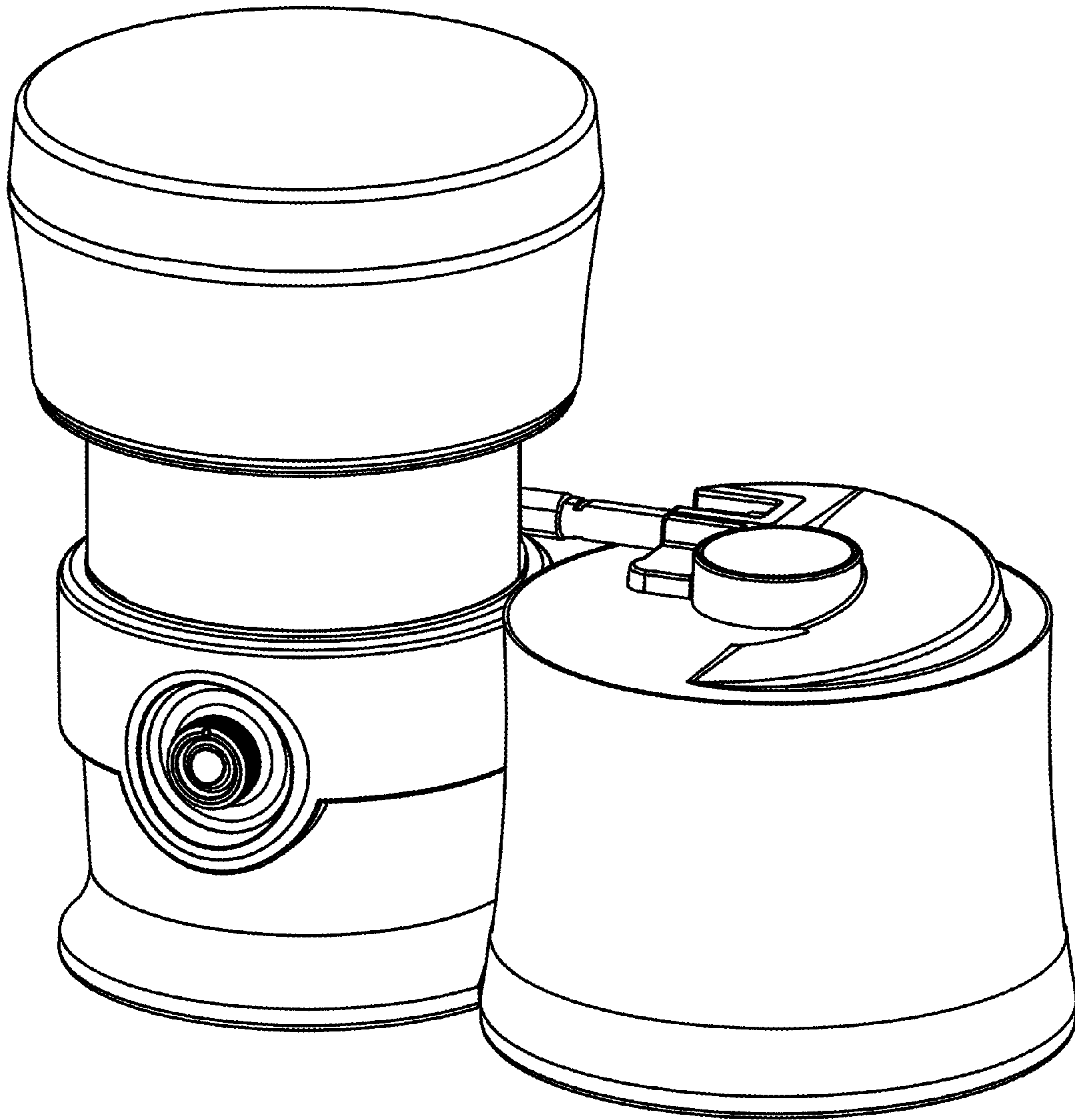


FIG. 1

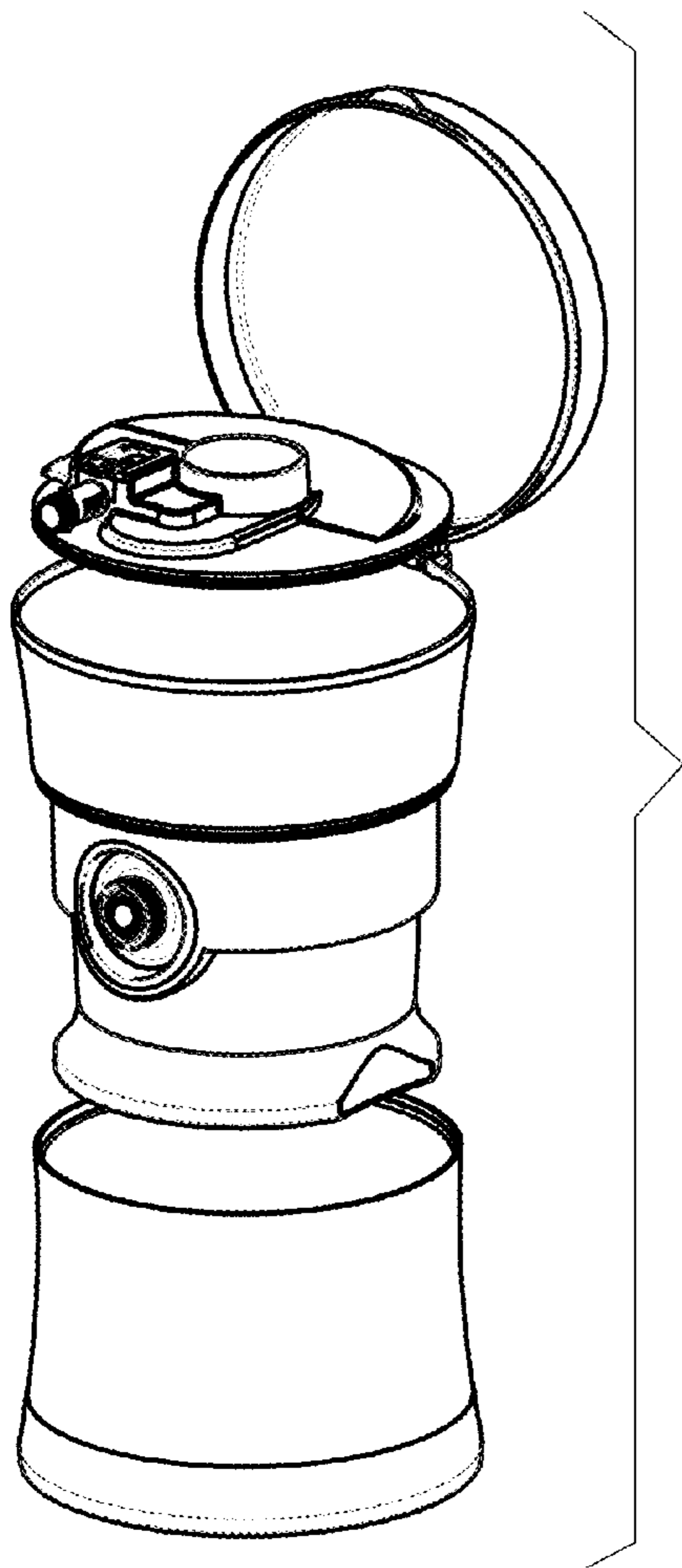


FIG. 2

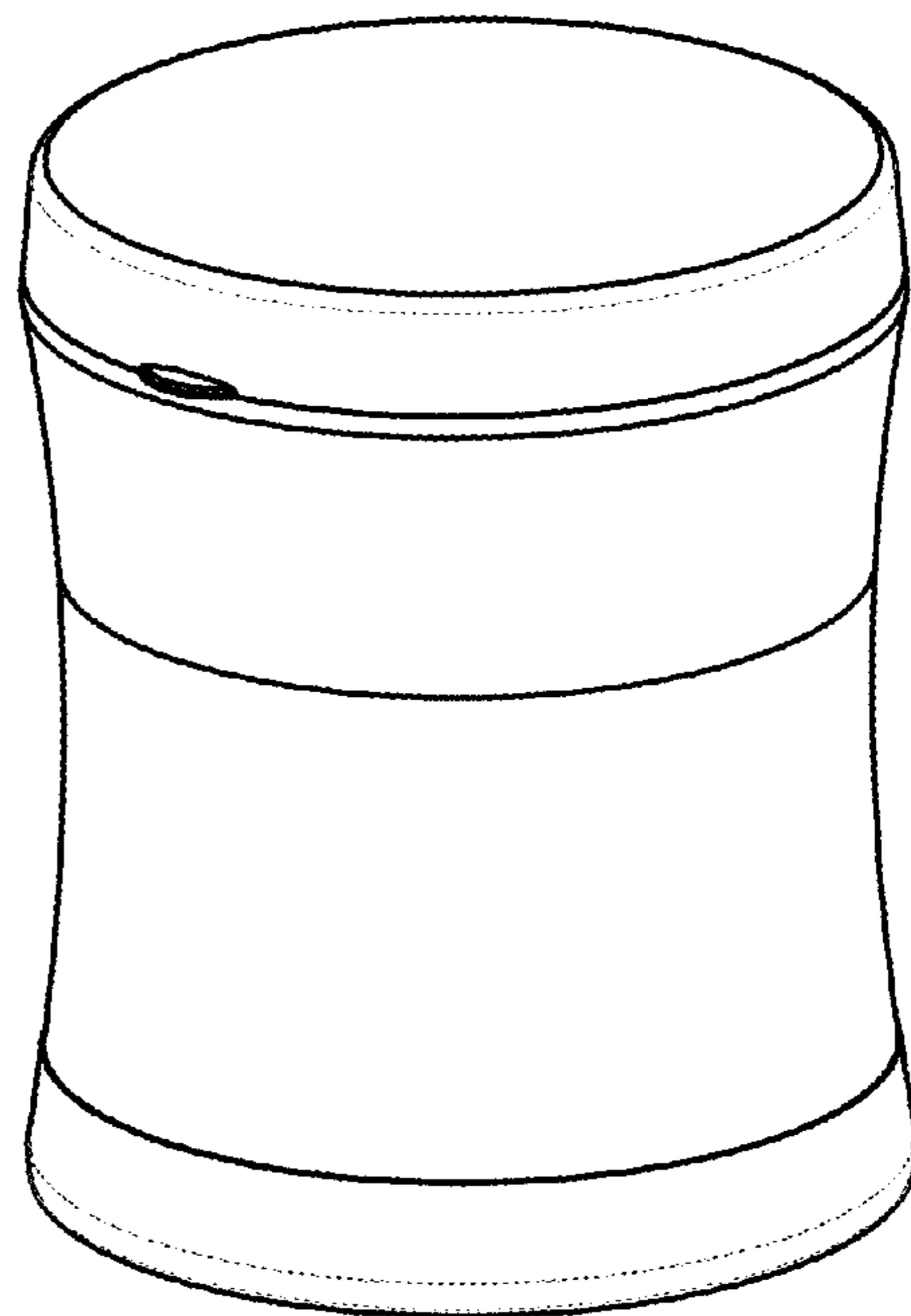


FIG. 3