



US00D736027S

(12) **United States Design Patent**  
**Funnell, II et al.**

(10) **Patent No.:** **US D736,027 S**

(45) **Date of Patent:** **\*\* Aug. 11, 2015**

(54) **ELECTRIC RANGE**

D646,112 S \* 10/2011 Park et al. .... D7/348  
D646,113 S \* 10/2011 Park et al. .... D7/348  
D664,388 S \* 7/2012 Park et al. .... D7/348

(71) Applicant: **BSH Home Appliances Corporation**,  
Irvine, CA (US)

\* cited by examiner

(72) Inventors: **Richard W. Funnell, II**, Huntington  
Beach, CA (US); **Andrew Roberson**,  
Long Beach, CA (US); **Graham  
Sadler**, Huntington Beach, CA (US)

*Primary Examiner* — Mitchell Siegel

(74) *Attorney, Agent, or Firm* — James E. Howard; Andre  
Pallapies

(73) Assignee: **BSH Home Appliances Corporation**,  
Irvine, CA (US)

(57) **CLAIM**

The ornamental design for an electric range and/or compo-  
nent thereof, as shown and described.

(\*\*) Term: **14 Years**

**DESCRIPTION**

(21) Appl. No.: **29/456,403**

(22) Filed: **May 31, 2013**

(51) **LOC (10) Cl.** ..... **07-02**

(52) **U.S. Cl.**  
USPC ..... **D7/339**

(58) **Field of Classification Search**  
USPC ..... D7/339–349  
CPC ..... F24C 3/00–3/14; F24C 7/00–7/105;  
F24C 14/00–14/025; F24C 15/00–15/14  
See application file for complete search history.

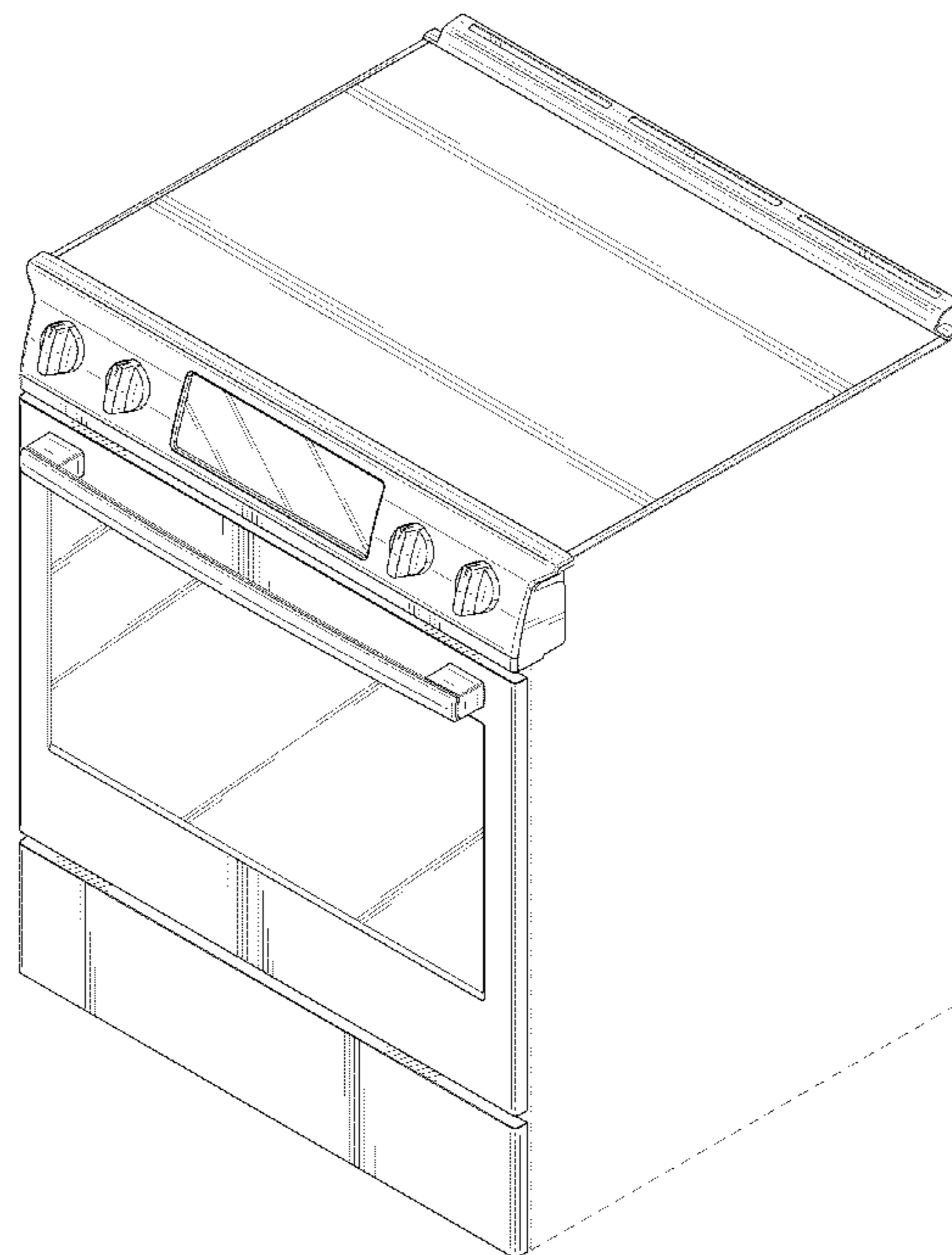
FIG. 1 is a front perspective view of an electric range showing  
an embodiment of our new ornamental design;  
FIG. 2 a front view thereof;  
FIG. 3 is a top view thereof;  
FIG. 4 is a right side view thereof, with the left side view  
thereof being a minor image thereof;  
FIG. 5 is a front perspective view of an electric range showing  
an embodiment of our new ornamental design;  
FIG. 6 a front view thereof;  
FIG. 7 is a top view thereof; and,  
FIG. 8 is a right side view thereof, with the left side view  
thereof being a mirror image thereof.  
The broken lines represent environment and form no part of  
the claimed design.  
One or more views (e.g., rear view) of the electric range  
and/or component thereof may not be shown, which is an  
indication that the design in that view is not ornamented  
and/or is simply not claimed.

(56) **References Cited**

**U.S. PATENT DOCUMENTS**

D191,893 S \* 12/1961 Faidy et al. .... D7/340  
D469,657 S \* 2/2003 Becker et al. .... D7/405  
D526,527 S \* 8/2006 Jung et al. .... D7/348  
D580,698 S \* 11/2008 Kim et al. .... D7/348  
D604,987 S \* 12/2009 Jung et al. .... D7/348

**1 Claim, 8 Drawing Sheets**



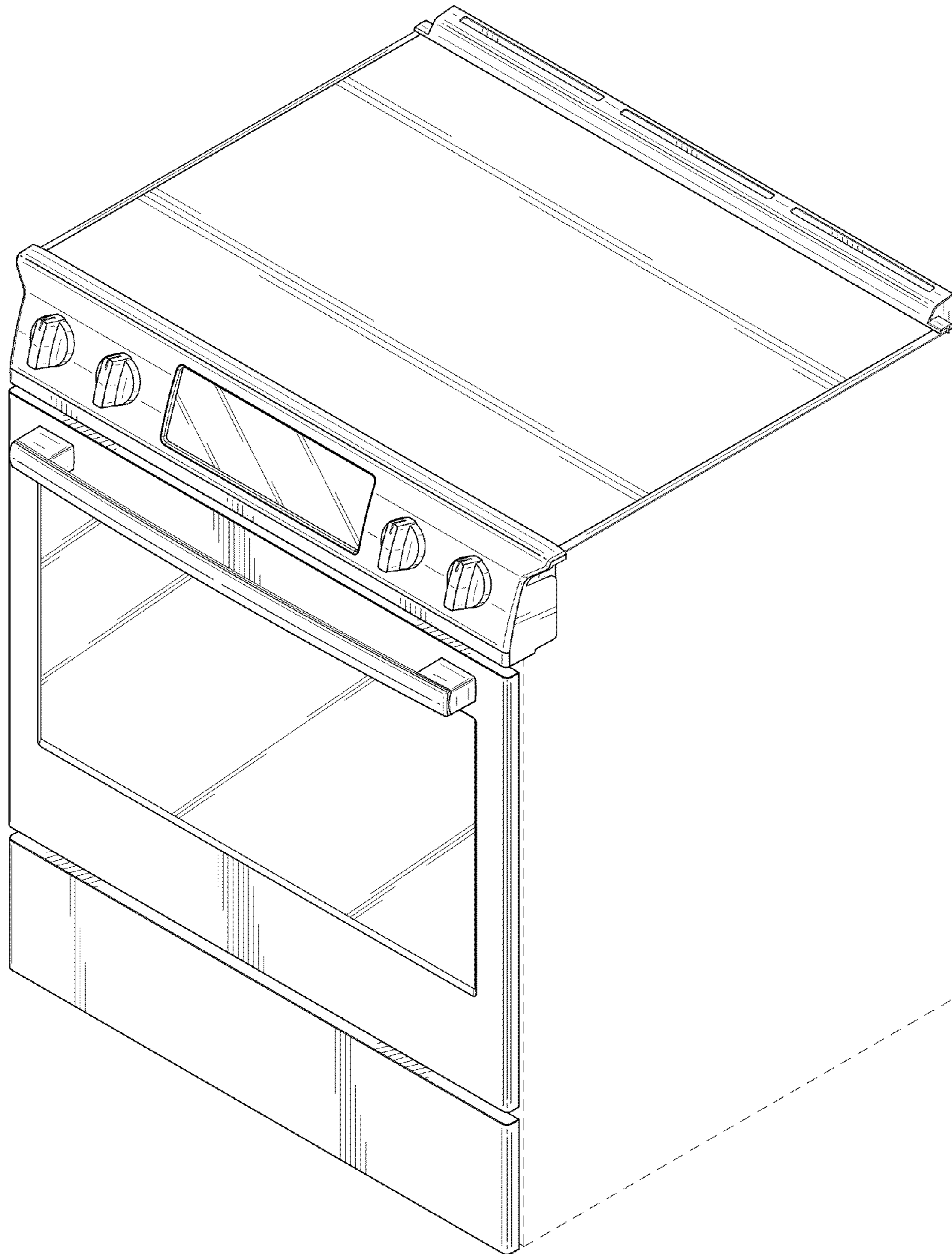


FIG. 1

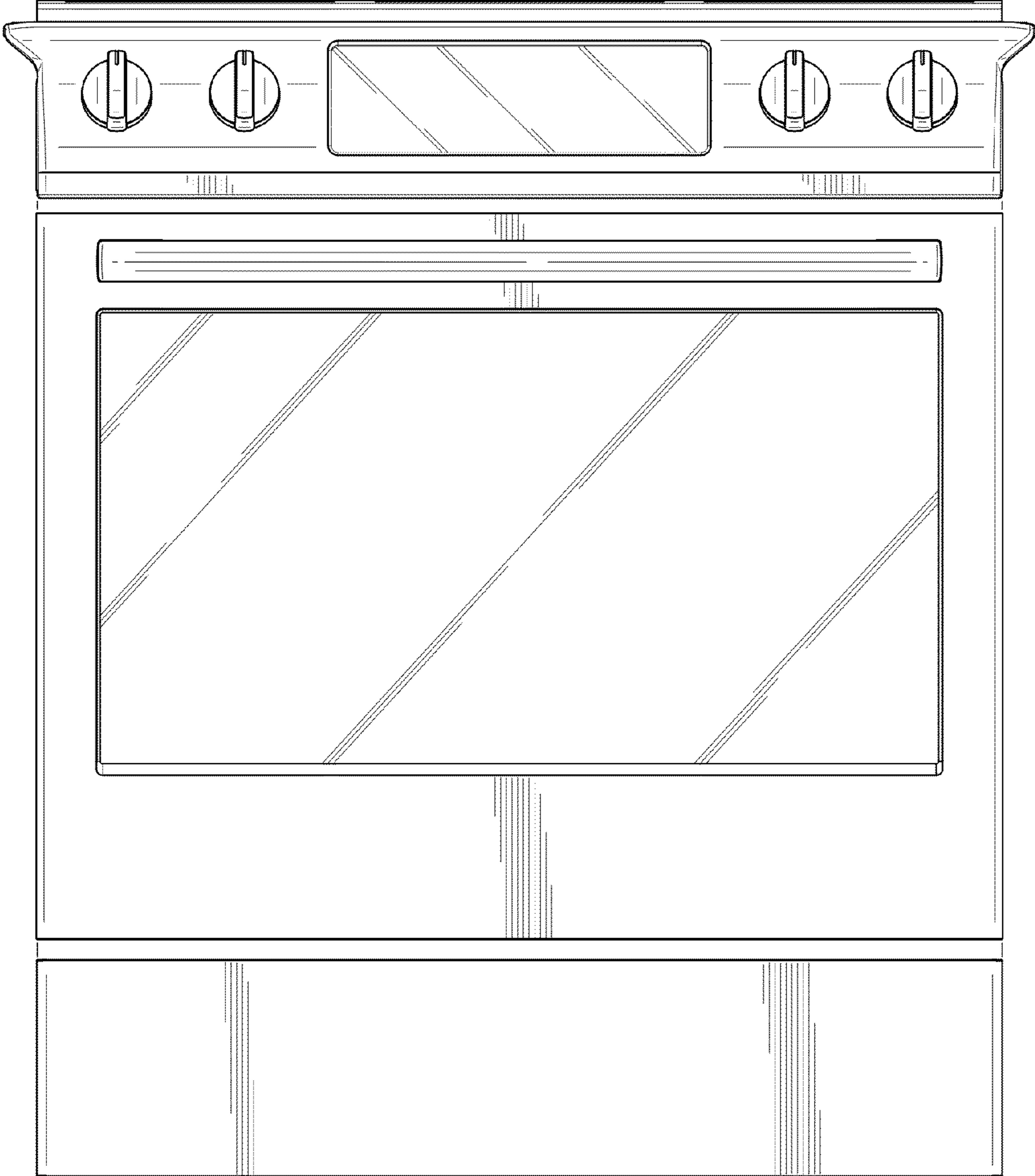


FIG. 2

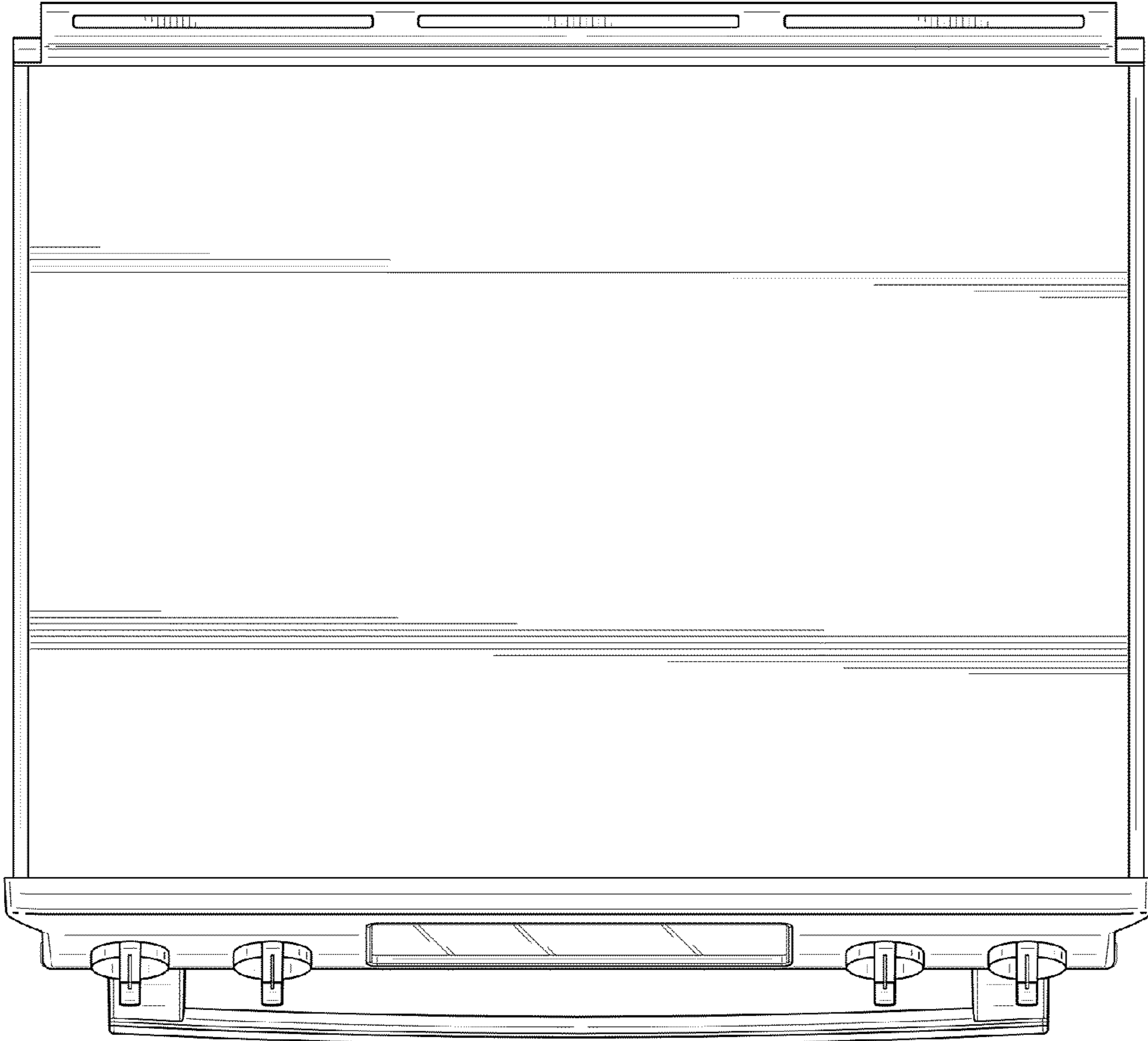


Fig. 3



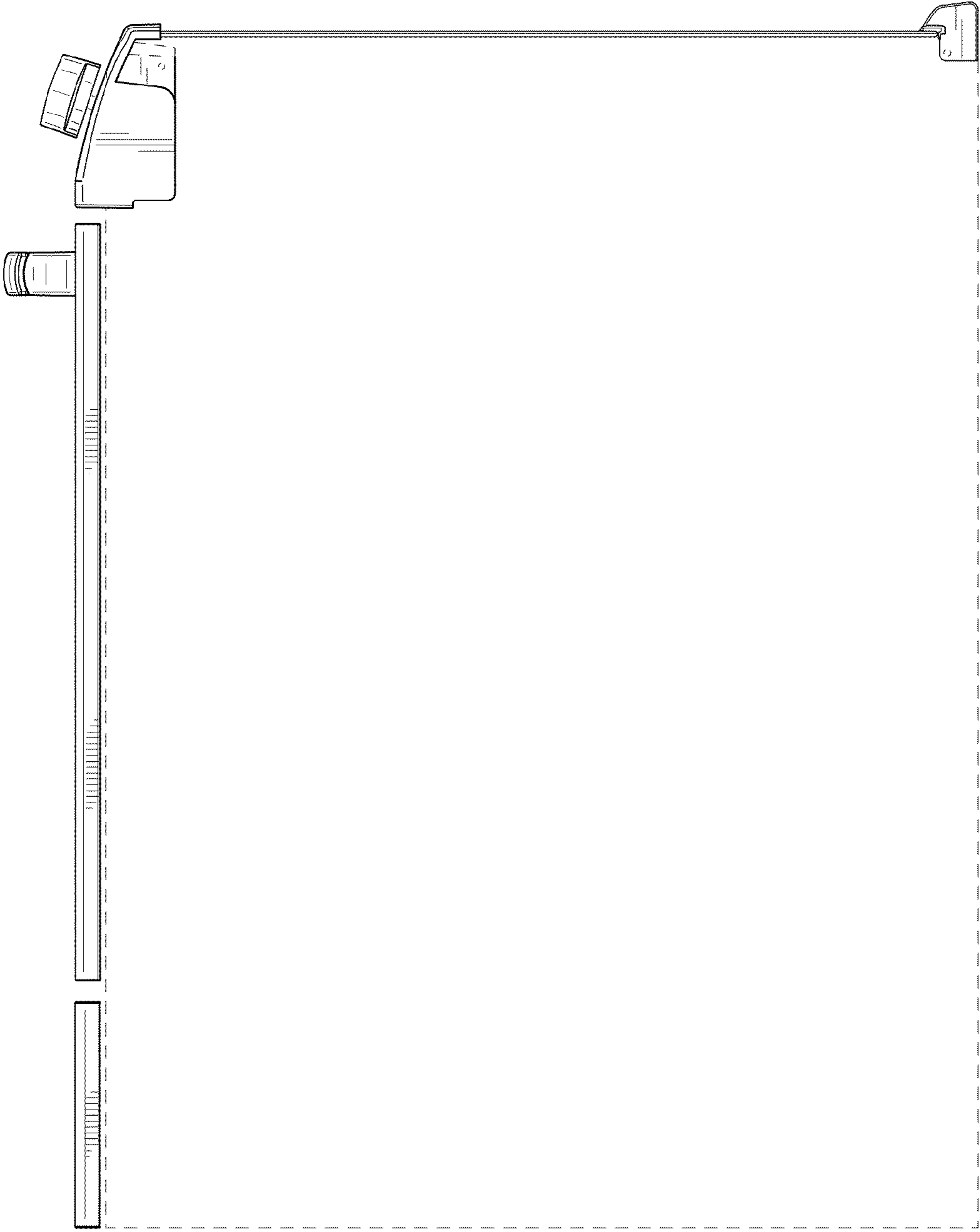


Fig. 4

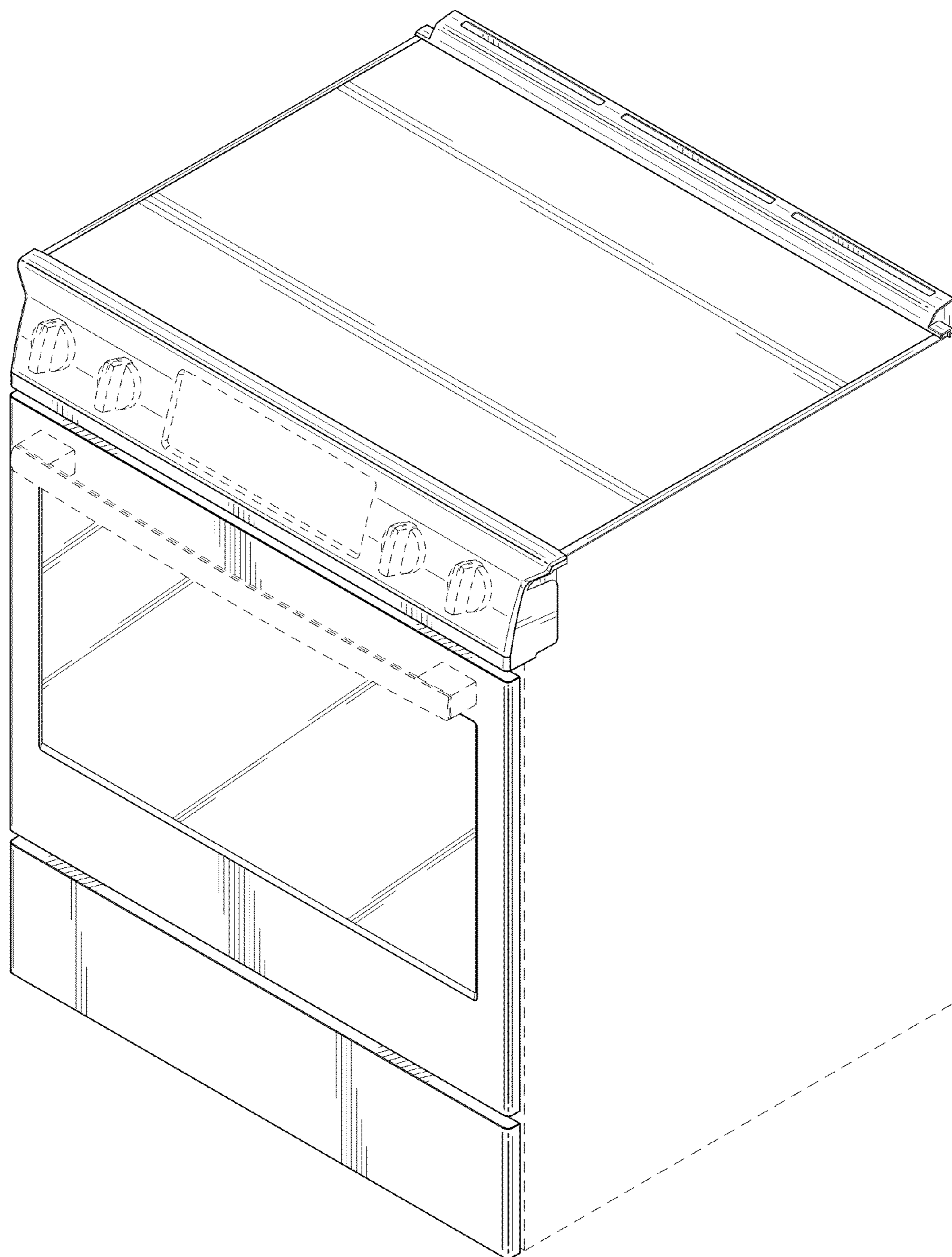


FIG. 5

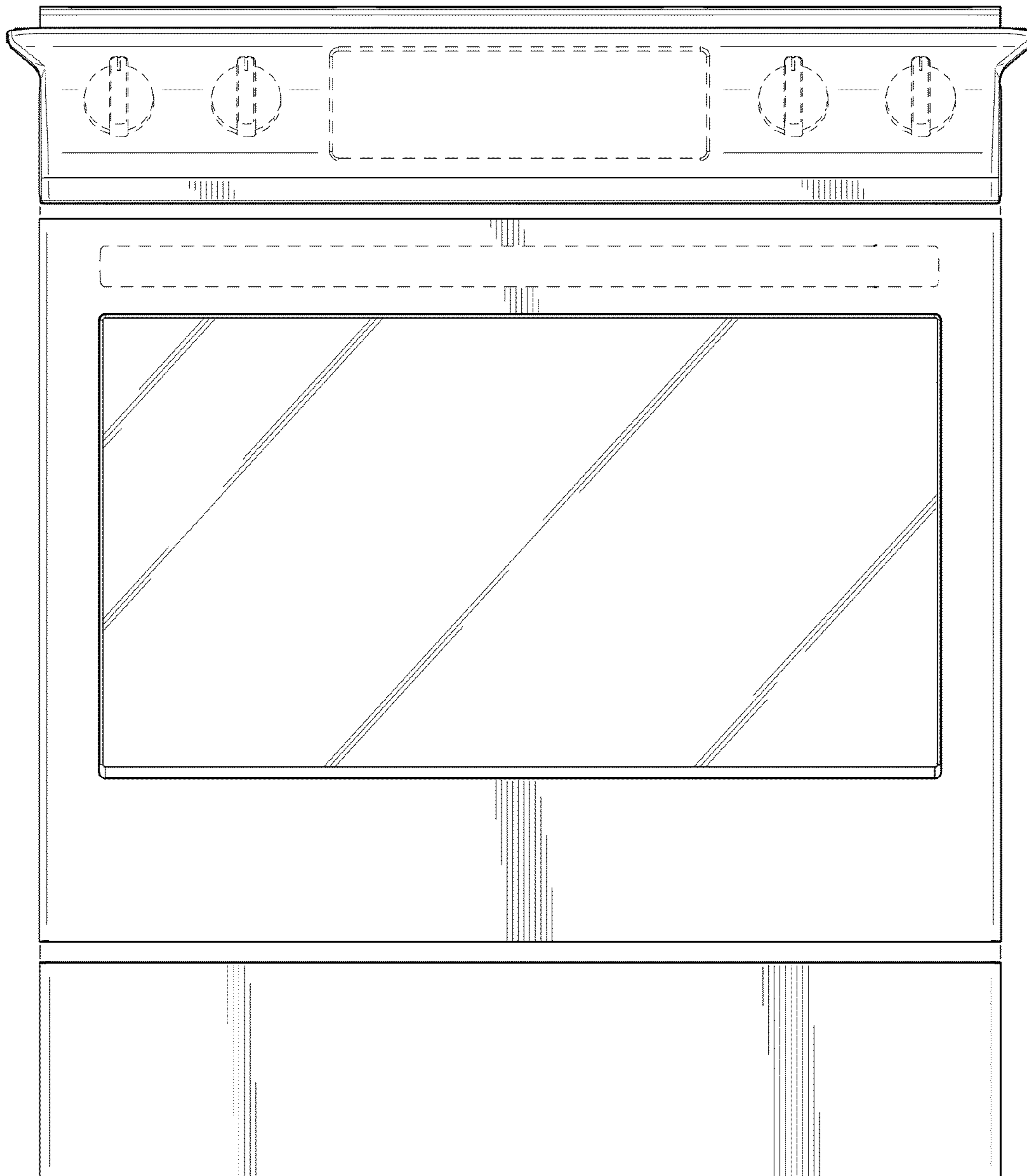


FIG. 6

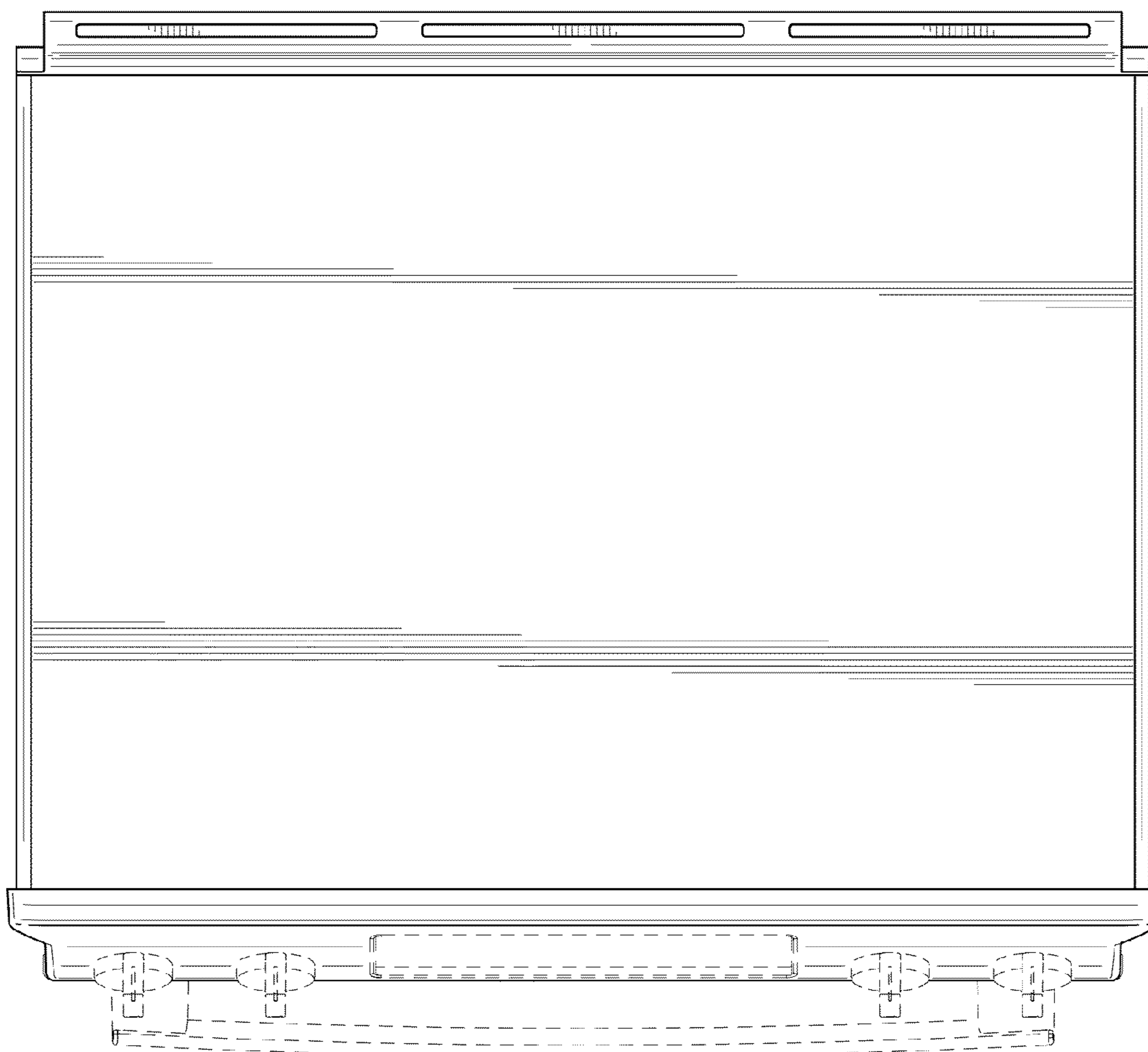


Fig. 7



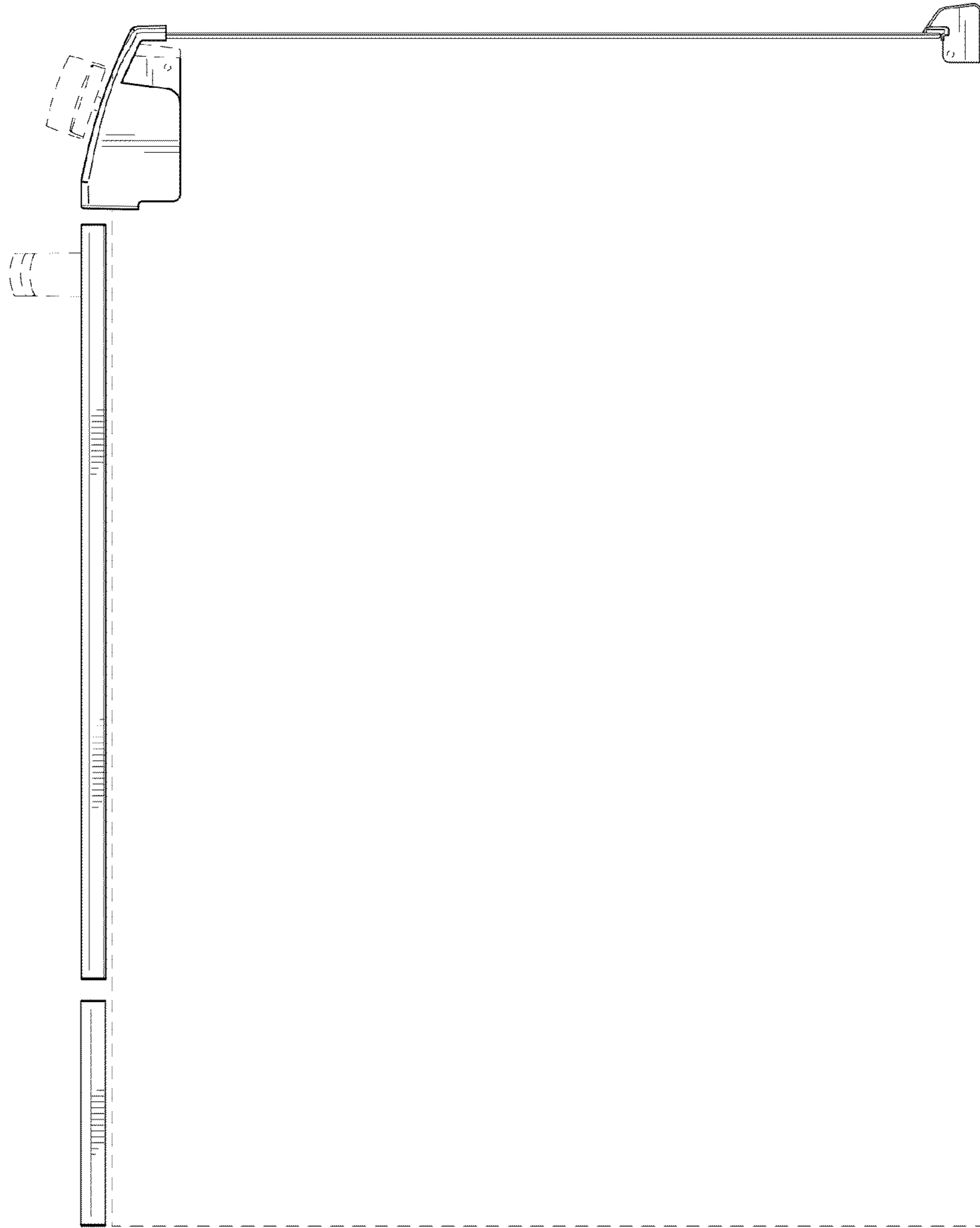


Fig. 8