



US00D736026S

(12) **United States Design Patent**
Kam et al.

(10) **Patent No.:** **US D736,026 S**

(45) **Date of Patent:** **** Aug. 11, 2015**

(54) **GRILL**

F24C 11/00; F24C 15/10

See application file for complete search history.

(71) Applicant: **Rankam (China) Manufacturing Co. Ltd.**, Hong Kong (CN)

(56) **References Cited**

(72) Inventors: **Andy Ning Fan Kam**, Hong Kong (CN);
Ken Che Kit Yam, Hong Kong (CN)

U.S. PATENT DOCUMENTS

(73) Assignee: **Rankam (China) Manufacturing Co. Ltd.**, Hong Kong (CN)

6,575,155	B2 *	6/2003	Brennan	126/41 R
7,159,509	B2 *	1/2007	Starkey	99/339
D552,406	S *	10/2007	Chung	D7/334
D636,217	S *	4/2011	Slater et al.	D7/334
8,381,712	B1 *	2/2013	Simms, II	126/25 R
D683,177	S *	5/2013	Brennan	D7/334
2010/0242943	A1 *	9/2010	Laporta et al.	126/25 B
2013/0312732	A1 *	11/2013	Brennan	126/25 R

(**) Term: **14 Years**

* cited by examiner

(21) Appl. No.: **29/460,323**

(22) Filed: **Jul. 10, 2013**

Primary Examiner — Ruth McInroy

Related U.S. Application Data

(74) *Attorney, Agent, or Firm* — Leydig, Voit & Mayer, Ltd.

(63) Continuation-in-part of application No. 29/454,401, filed on May 9, 2013, now abandoned.

(51) **LOC (10) Cl.** **07-02**

(57) **CLAIM**

The ornamental design for a grill, as shown and described.

(52) **U.S. Cl.**
USPC **D7/334**

DESCRIPTION

(58) **Field of Classification Search**

USPC D7/332-337, 402-408
CPC A21B 1/00; A21B 1/52; A47J 33/00;
A47J 36/26; A47J 36/36; A47J 37/04; A47J
37/0682; A47J 2037/0777; A47J
37/07-37/079; F24B 1/18; F24B 1/20; F24B
1/22; F24B 1/24; F24B 1/26; F24B 1/182;
F24B 1/202; F24B 1/205; F24B 1/207;
F24C 1/16; F24C 3/008; F24C 3/027; F24C
3/085; F24C 3/087; F24C 3/14; F24C 5/20;

FIG. 1 is a front perspective view of a grill of the present invention.

FIG. 2 is a front view of a grill of the present invention.

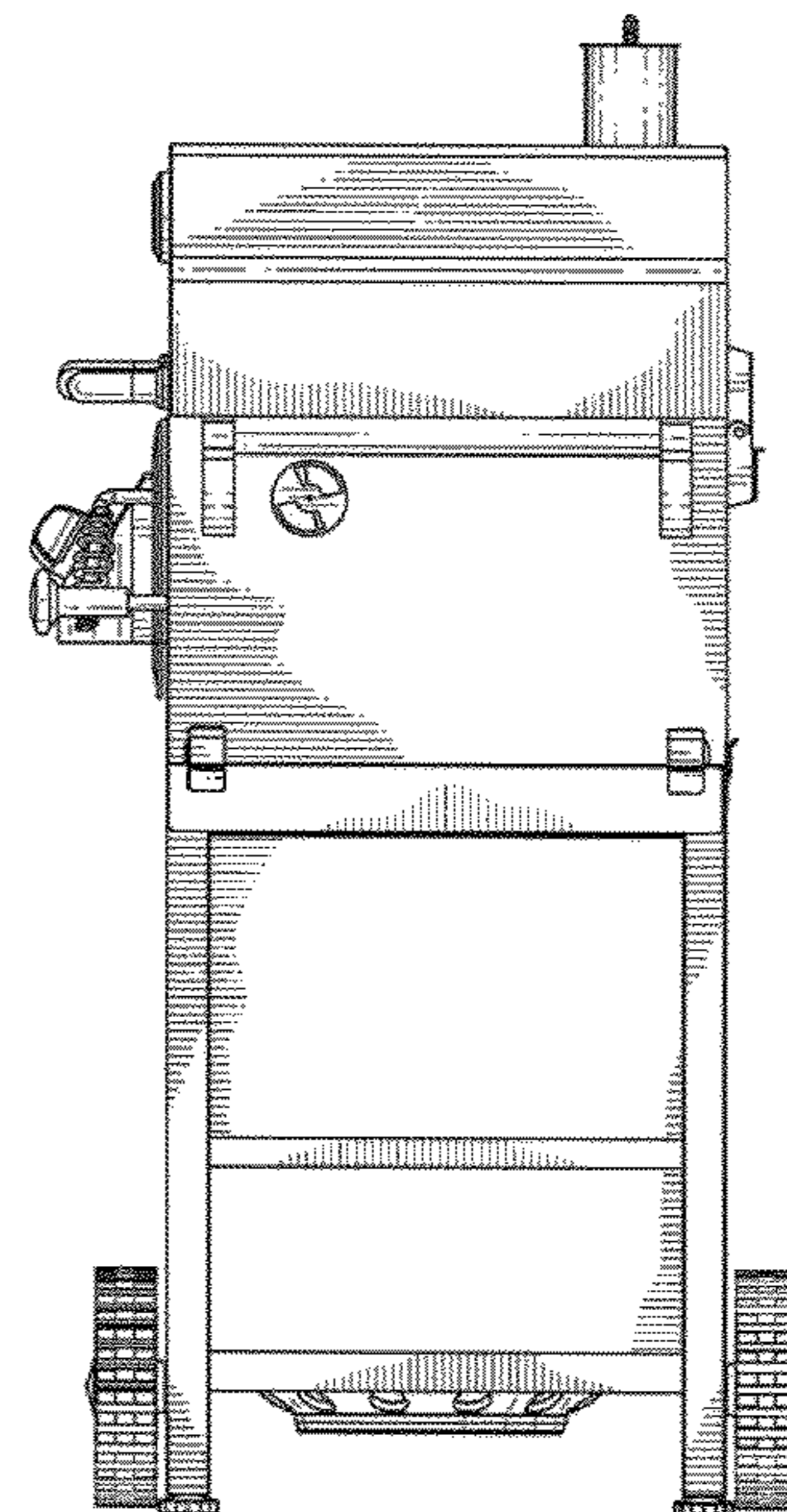
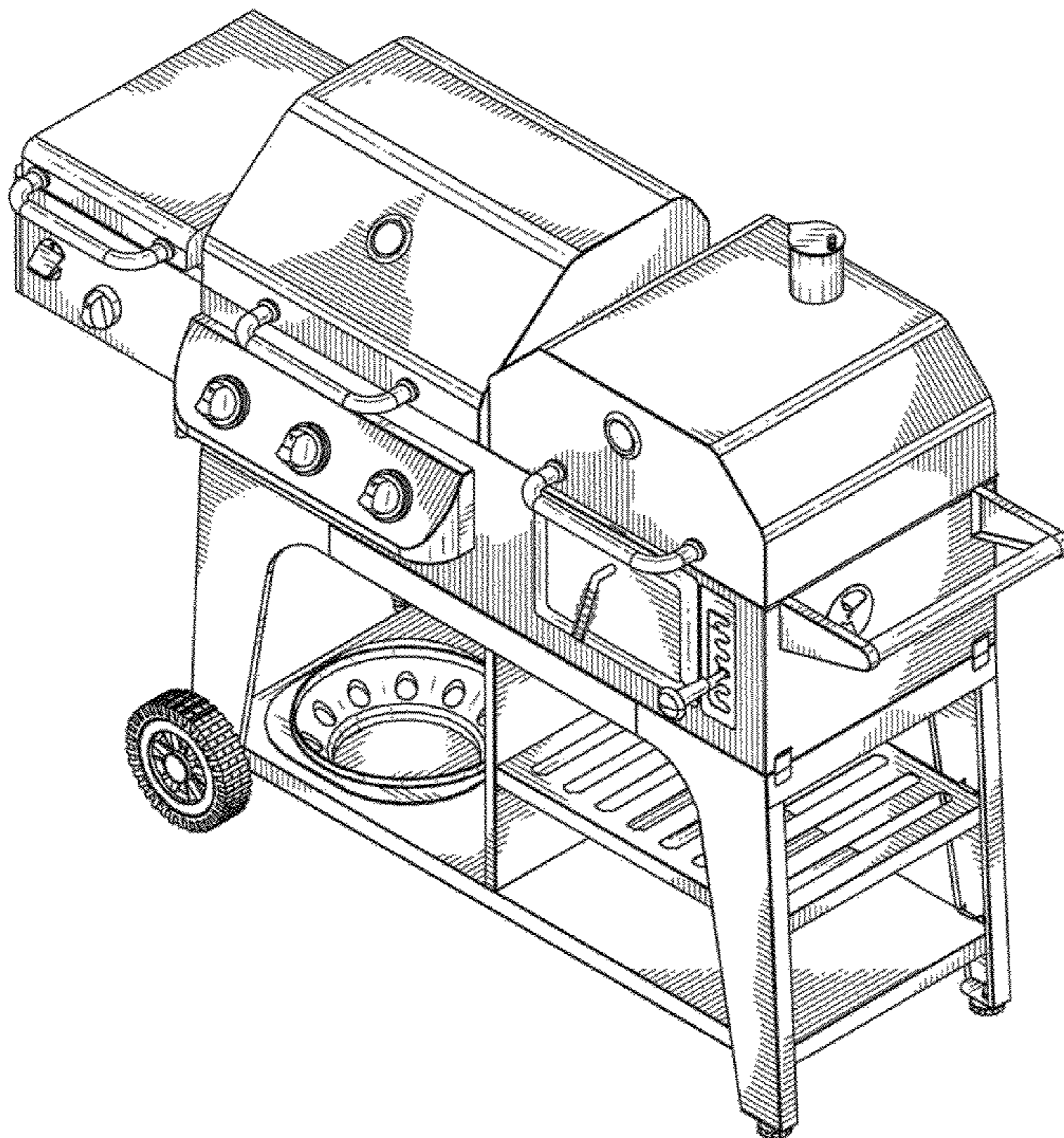
FIG. 3 is a rear view of a grill of the present invention.

FIG. 4 is a top view of a grill of the present invention.

FIG. 5 is a left side view of a grill of the present invention; and,

FIG. 6 is a right side view of a grill of the present invention.

1 Claim, 6 Drawing Sheets



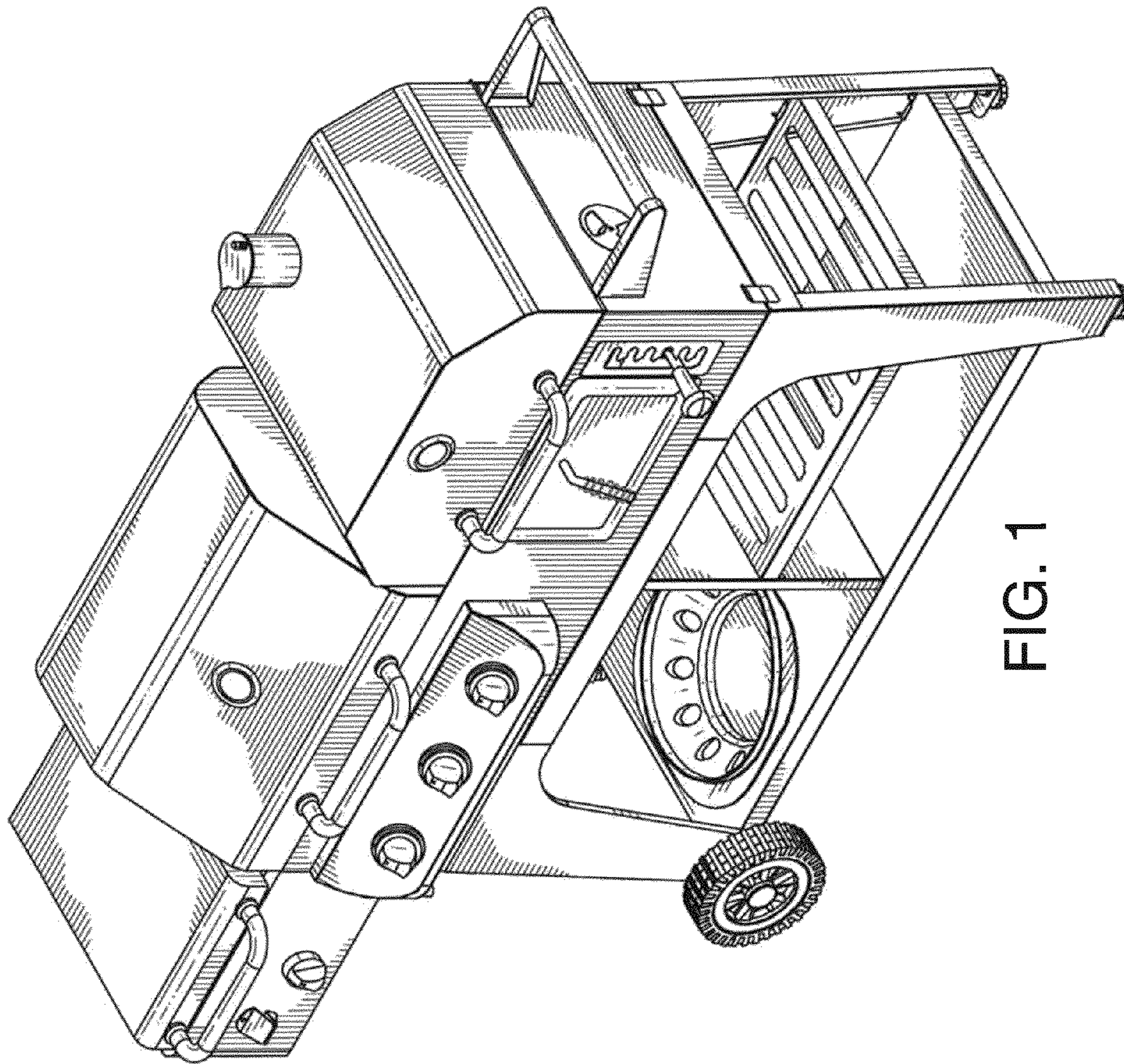


FIG. 1

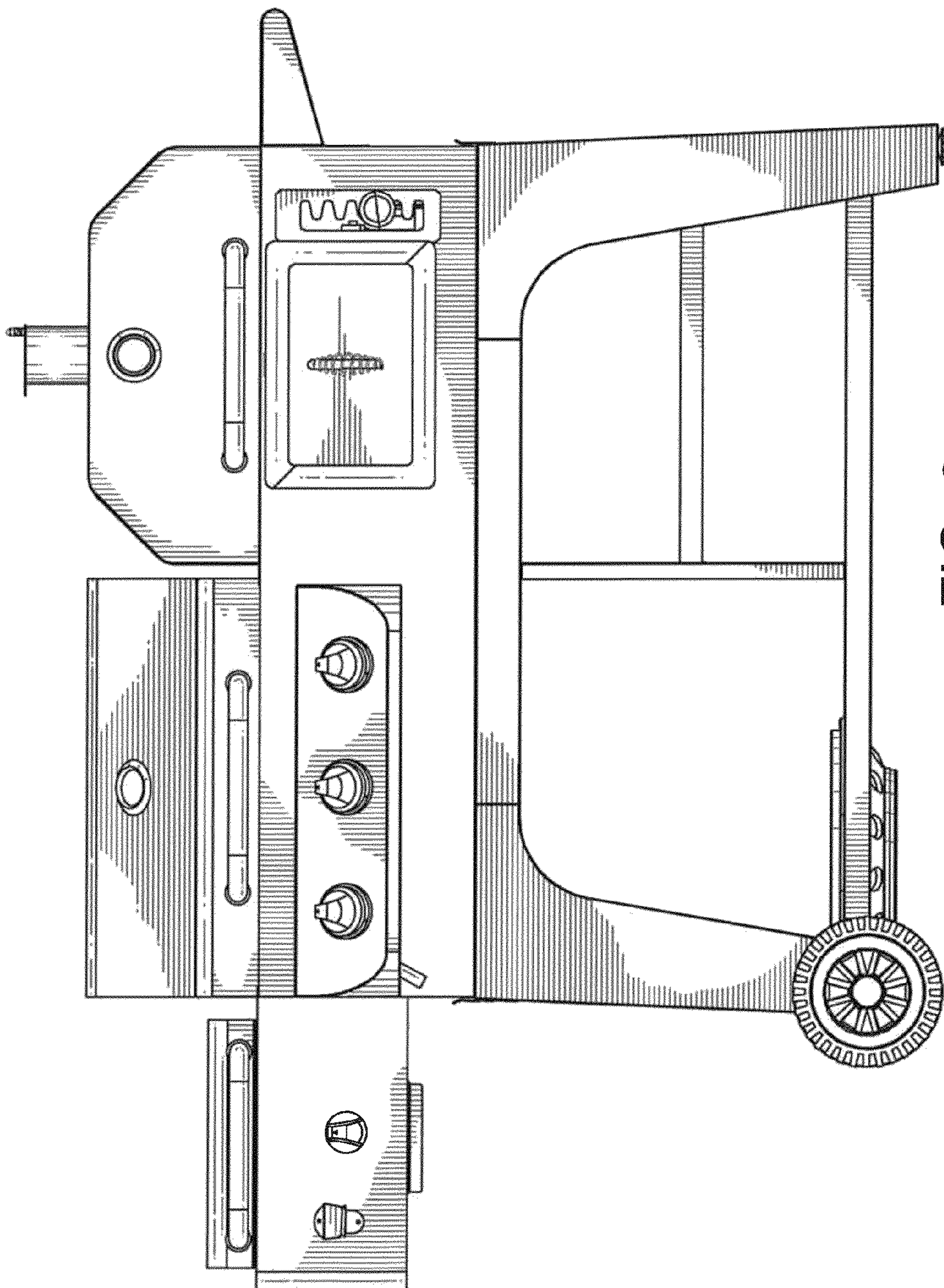


FIG. 2

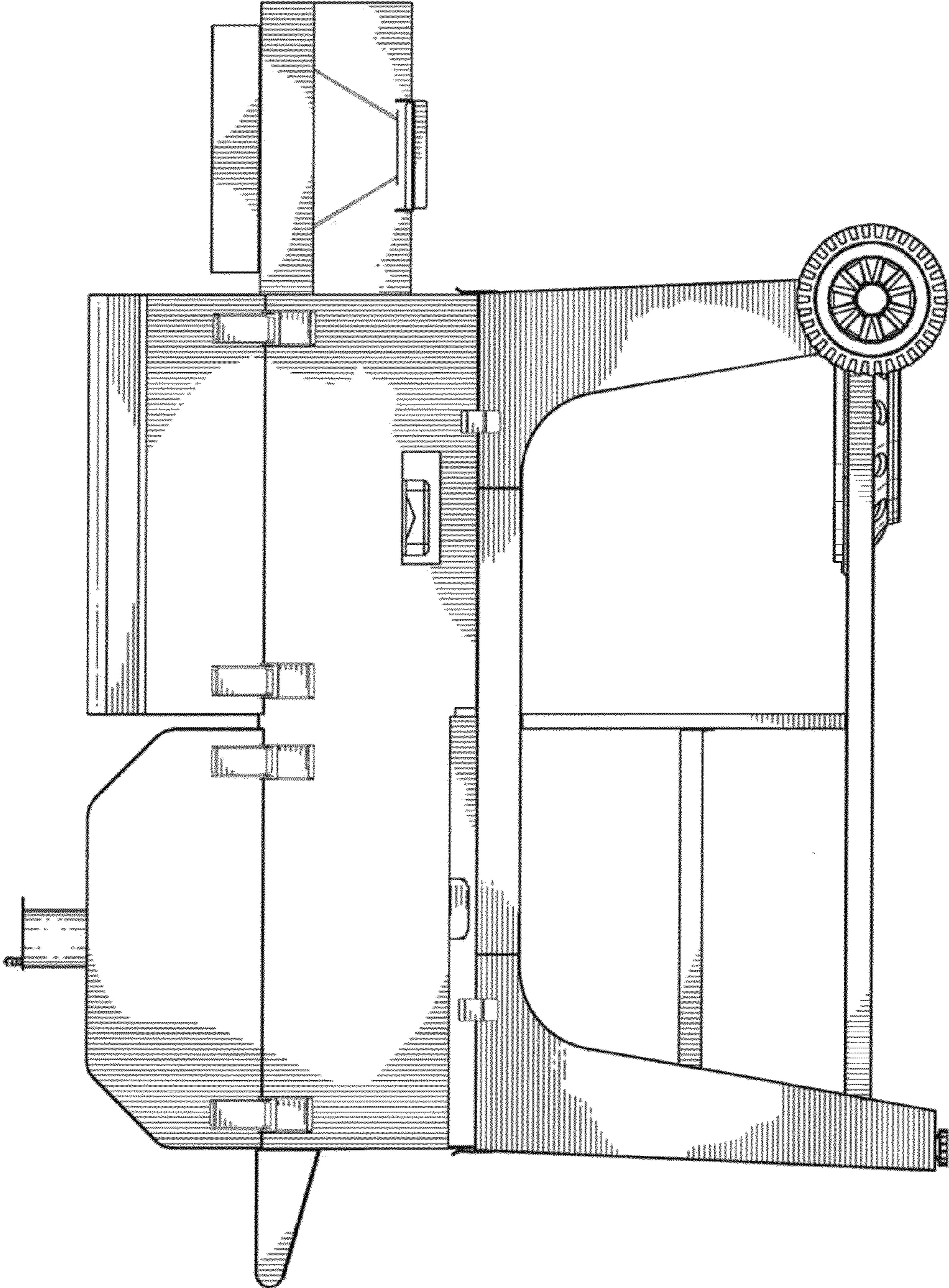


FIG. 3

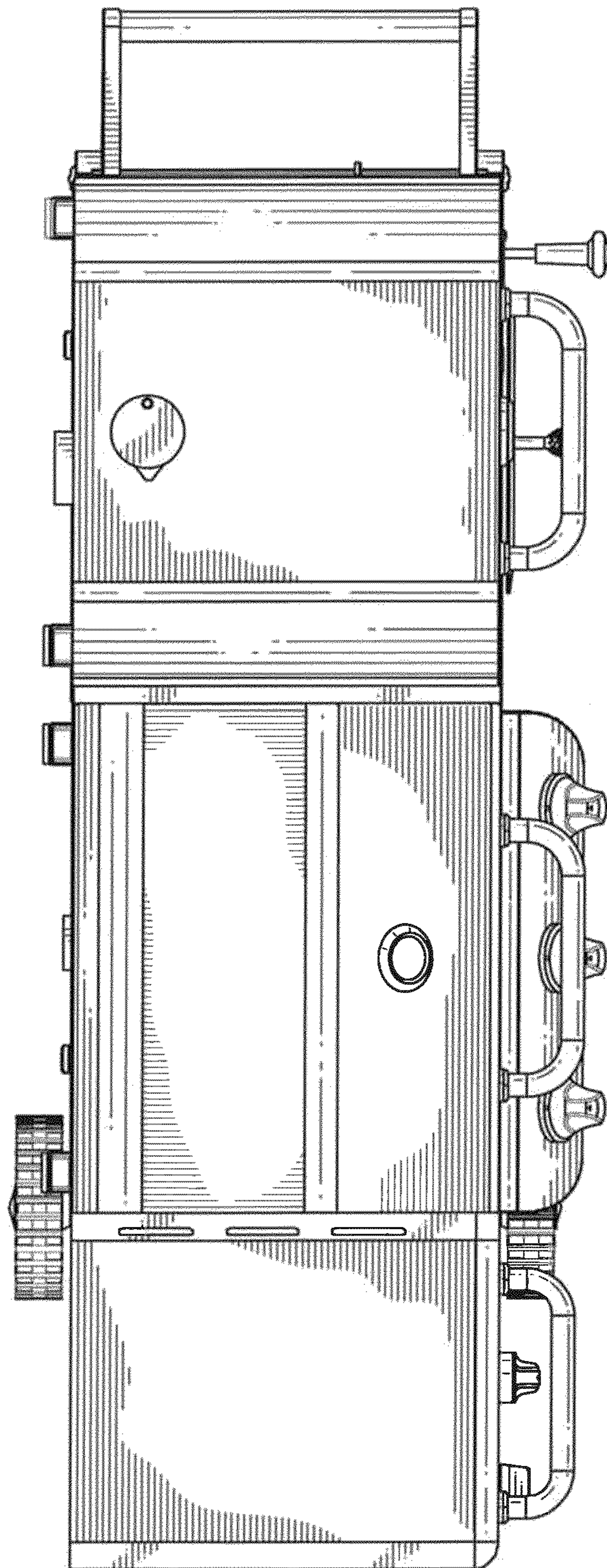


FIG. 4

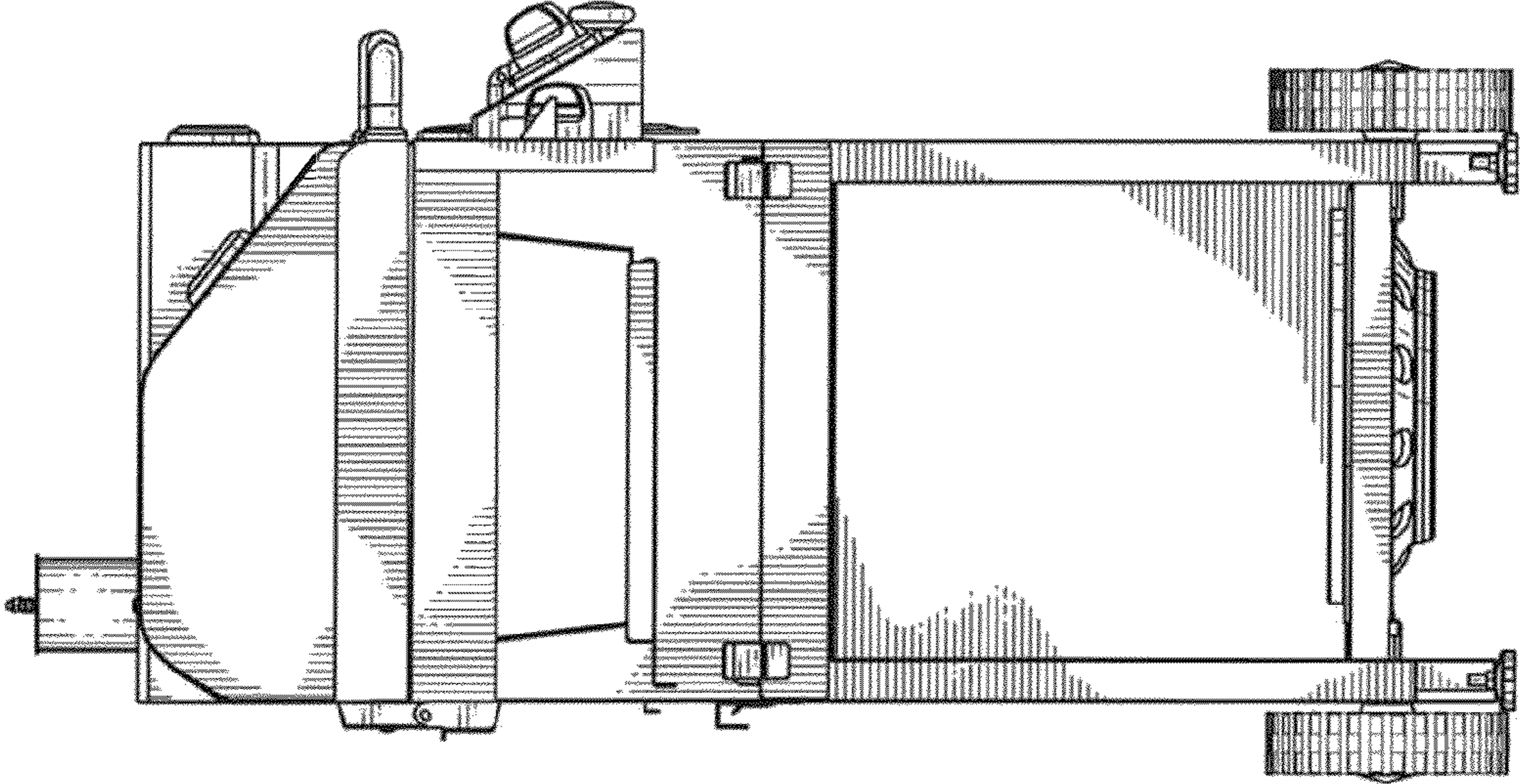


FIG. 5

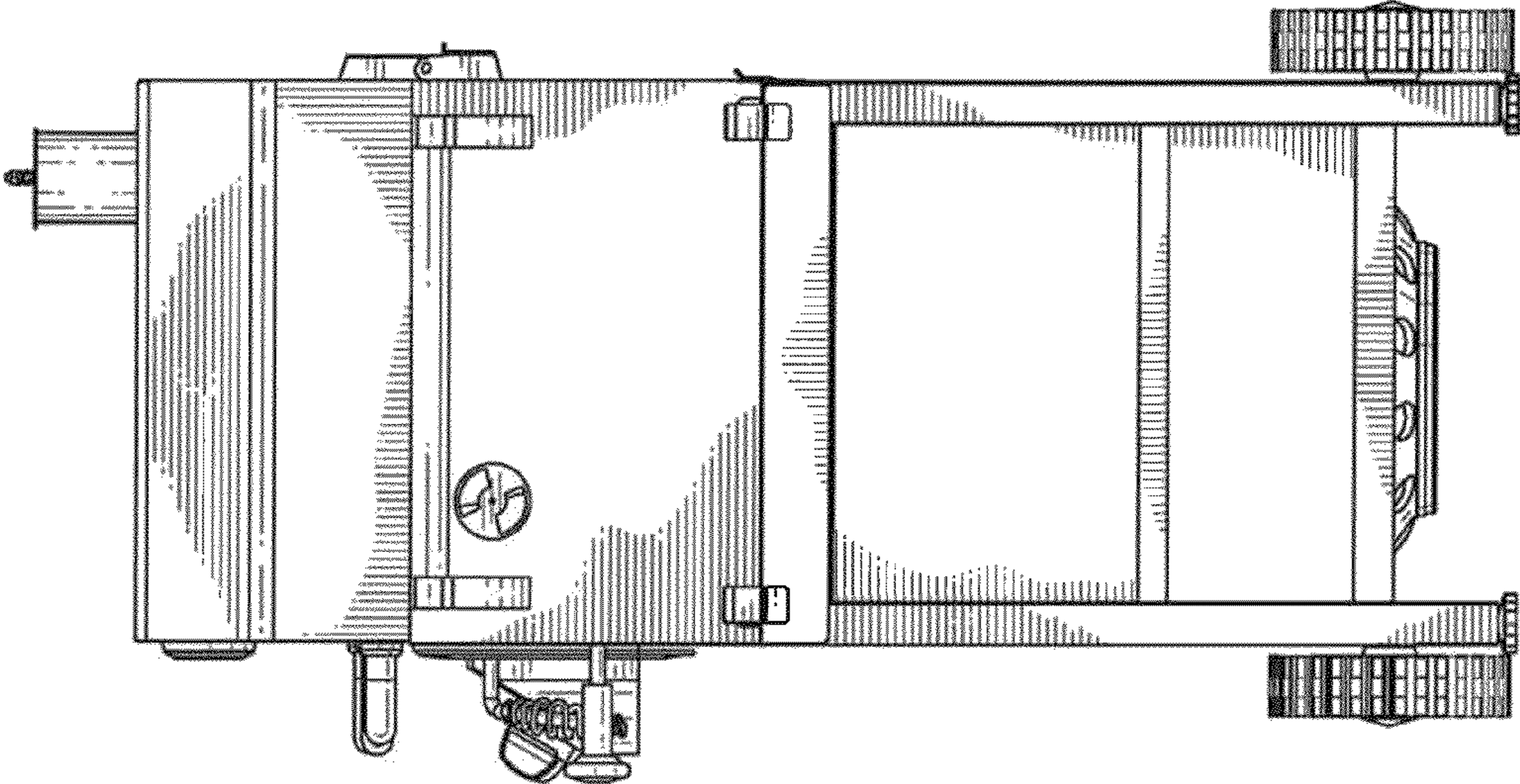


FIG. 6