

US00D736025S

(12) **United States Design Patent**
Kestenbaum

(10) **Patent No.:** **US D736,025 S**

(45) **Date of Patent:** **** Aug. 11, 2015**

(54) **COFFEE MAKER**

(71) Applicant: **EURO-PRO OPERATING LLC**,
Newton, MA (US)

(72) Inventor: **Daniel Kestenbaum**, Cambridge, MA
(US)

(73) Assignee: **EURO-PRO OPERATING LLC**,
Newton, MA (US)

(**) Term: **14 Years**

(21) Appl. No.: **29/488,691**

(22) Filed: **Apr. 22, 2014**

(51) **LOC (10) Cl.** **07-01**

(52) **U.S. Cl.**
USPC **D7/309; D7/311**

(58) **Field of Classification Search**
USPC D7/306-311, 305, 300, 313; 99/279,
99/284, 290, 280, 299, 307, 323.1;
222/23, 129.1; 62/395; D20/1
CPC A47J 31/44; A47J 31/00; B67D 1/0041;
B67D 3/00
See application file for complete search history.

(56) **References Cited**

U.S. PATENT DOCUMENTS

D240,386 S *	7/1976	Stuetzer	D7/309
4,721,034 A *	1/1988	Shimomura	99/280
D307,754 S *	5/1990	Osrow et al.	D15/82
D379,049 S *	5/1997	Amiel	D7/305
D409,875 S *	5/1999	Alonge et al.	D7/309

D414,647 S *	10/1999	Driscoll et al.	D7/309
D496,553 S *	9/2004	Bodum	D7/309
D514,371 S *	2/2006	Yang et al.	D7/309
D560,950 S *	2/2008	Schwamkrug	D7/309
D585,229 S *	1/2009	de Visser	D7/309
D596,442 S *	7/2009	Cahen	D7/309
D703,989 S *	5/2014	Garman	D7/305
D712,188 S *	9/2014	Averty	D7/310
D714,088 S *	9/2014	Cahen	D7/309
D718,563 S *	12/2014	Deman	D7/305
D718,972 S *	12/2014	Jorgensen	D7/309

* cited by examiner

Primary Examiner — Marianne Pandozzi

(74) *Attorney, Agent, or Firm* — Cantor Colburn LLP

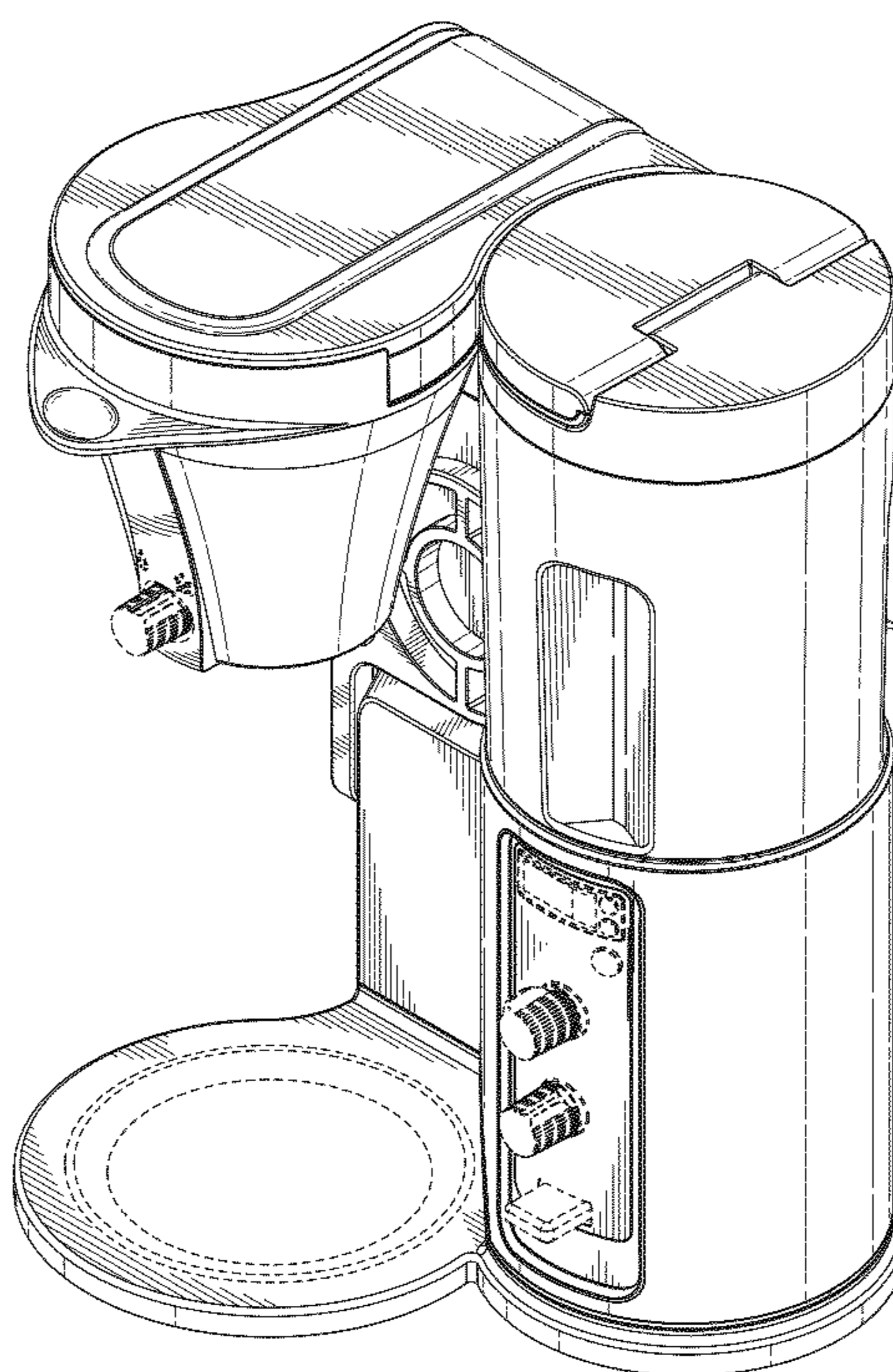
(57) **CLAIM**

The ornamental design for a coffee maker, as shown and described.

DESCRIPTION

FIG. 1 is a top front right perspective view of a coffee maker showing my new design;
 FIG. 2 is a top front left perspective view thereof;
 FIG. 3 is a front elevational view thereof;
 FIG. 4 is a rear elevational view thereof;
 FIG. 5 is a top plan view thereof;
 FIG. 6 is a bottom plan view thereof;
 FIG. 7 is a left side view thereof; and,
 FIG. 8 is a right side view thereof.
 The broken lines shown represent unclaimed subject matter and form no part of the claimed design.

1 Claim, 8 Drawing Sheets



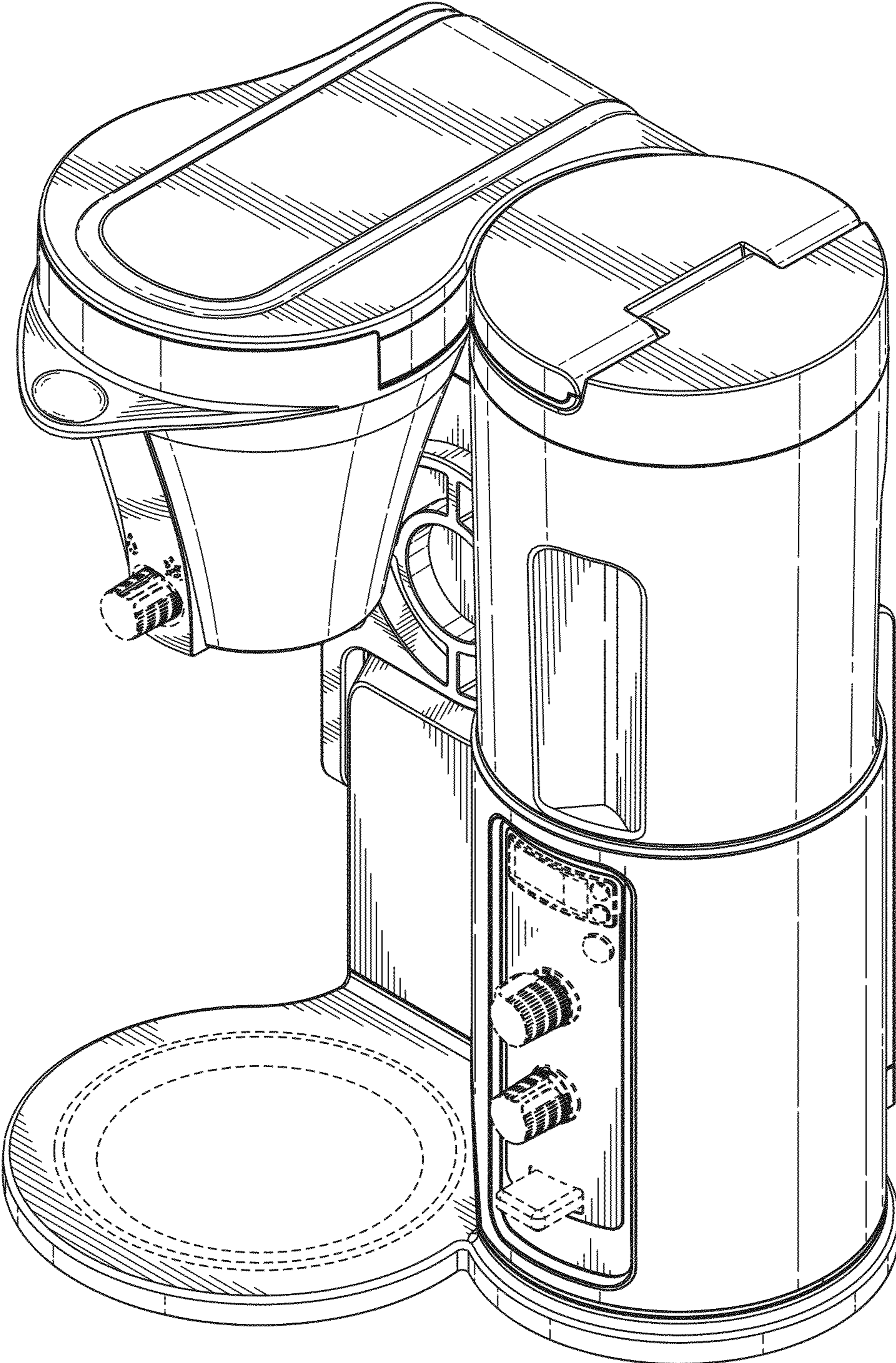


FIG. 1

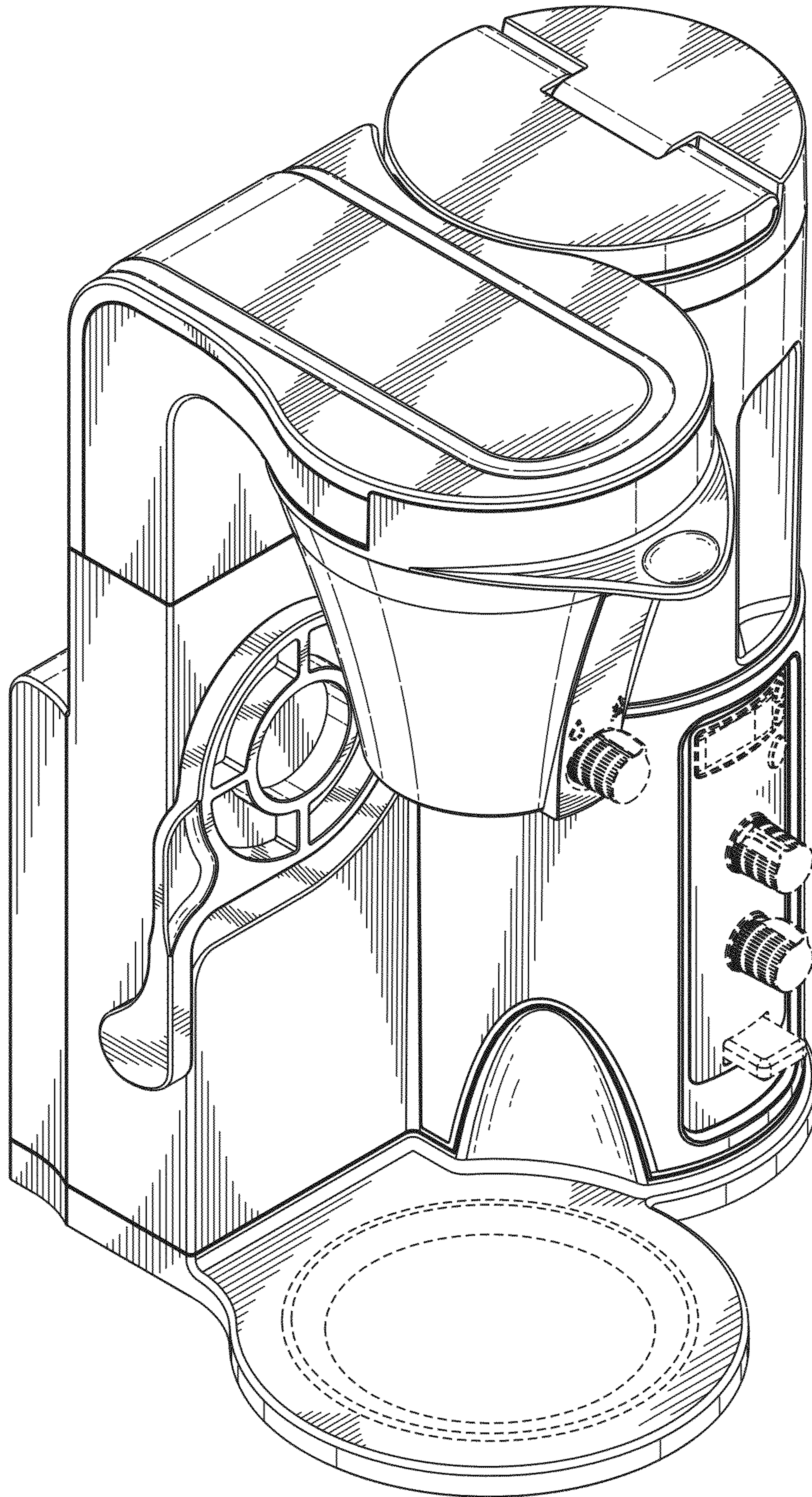


FIG. 2

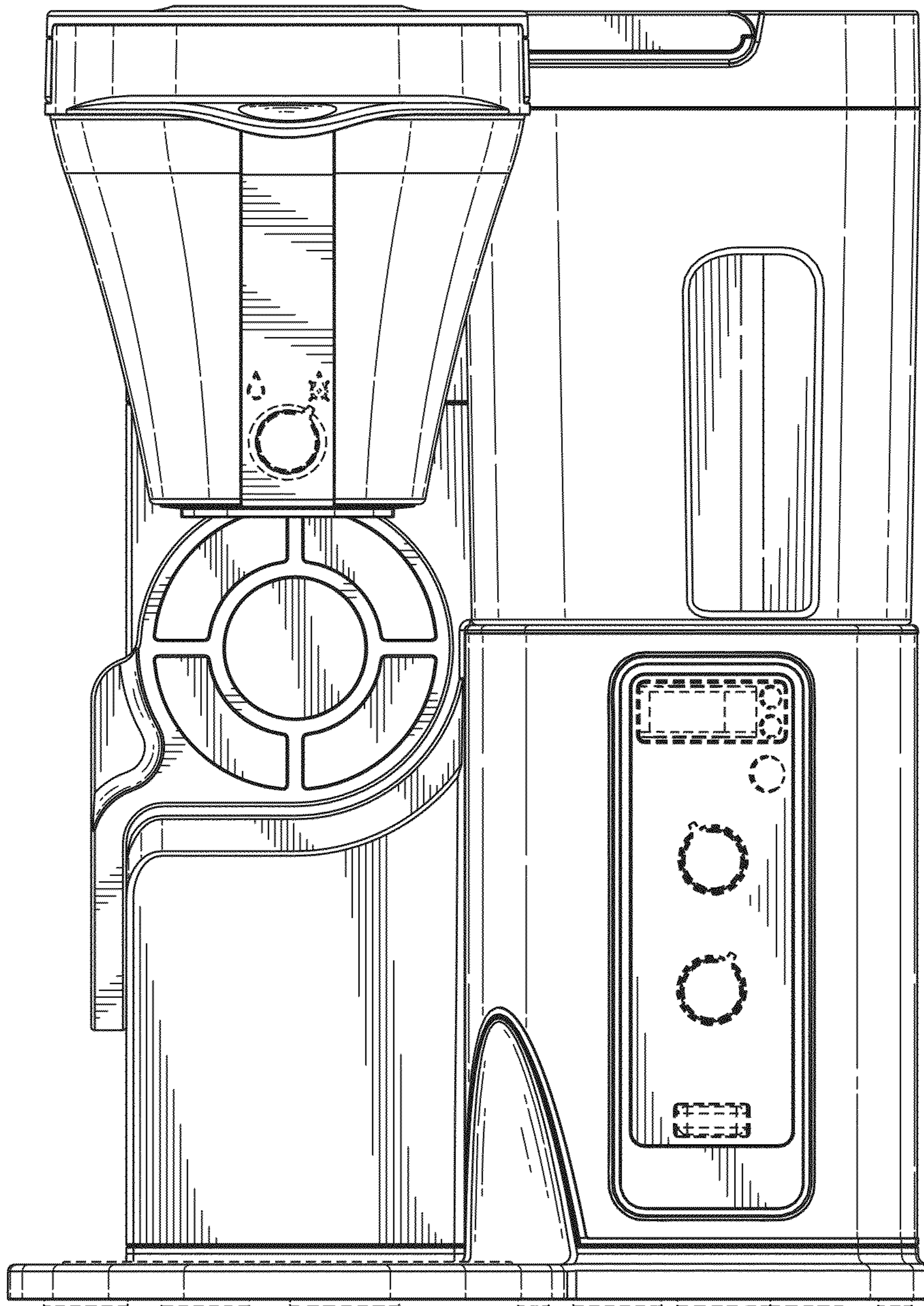


FIG. 3

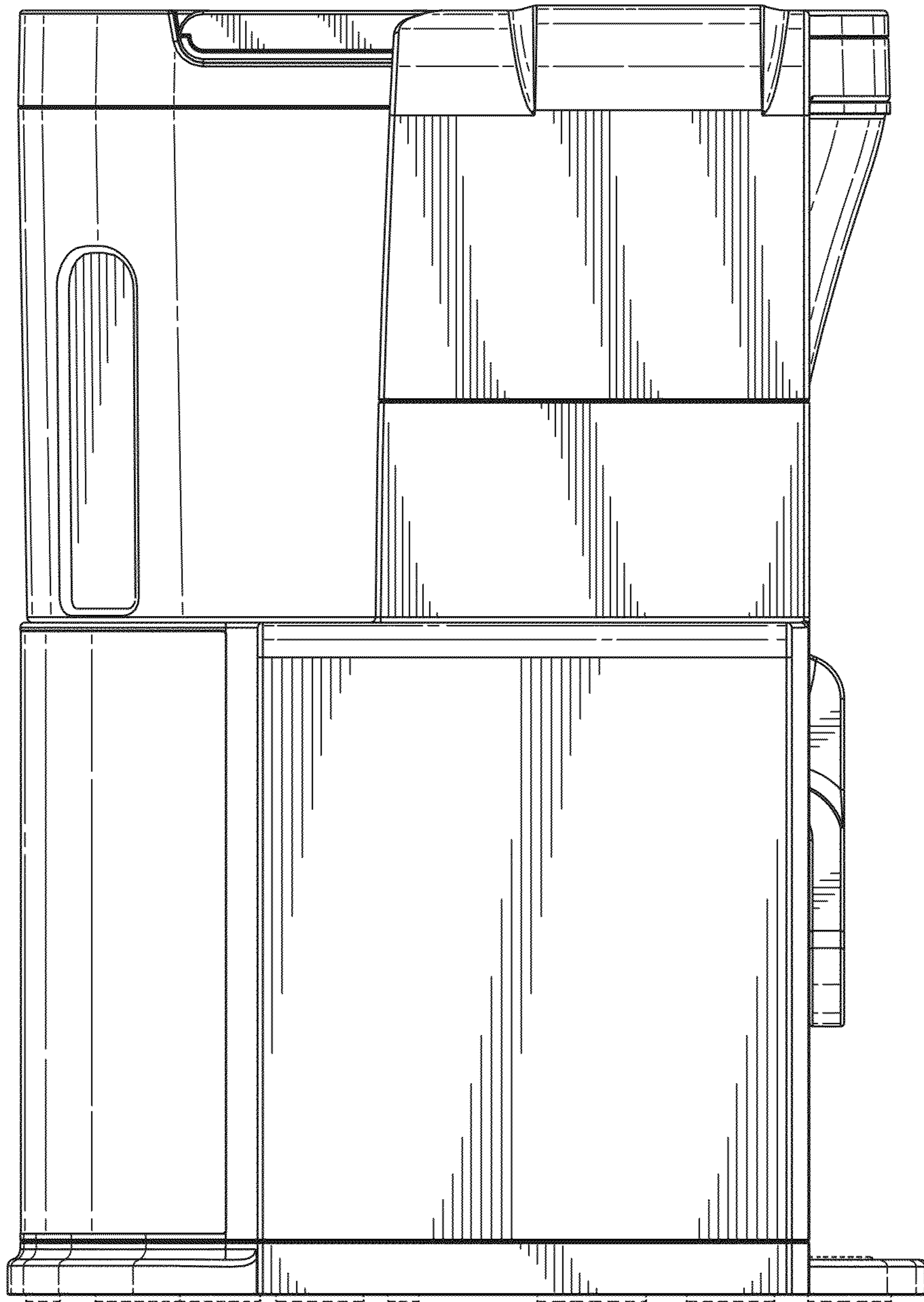


FIG. 4

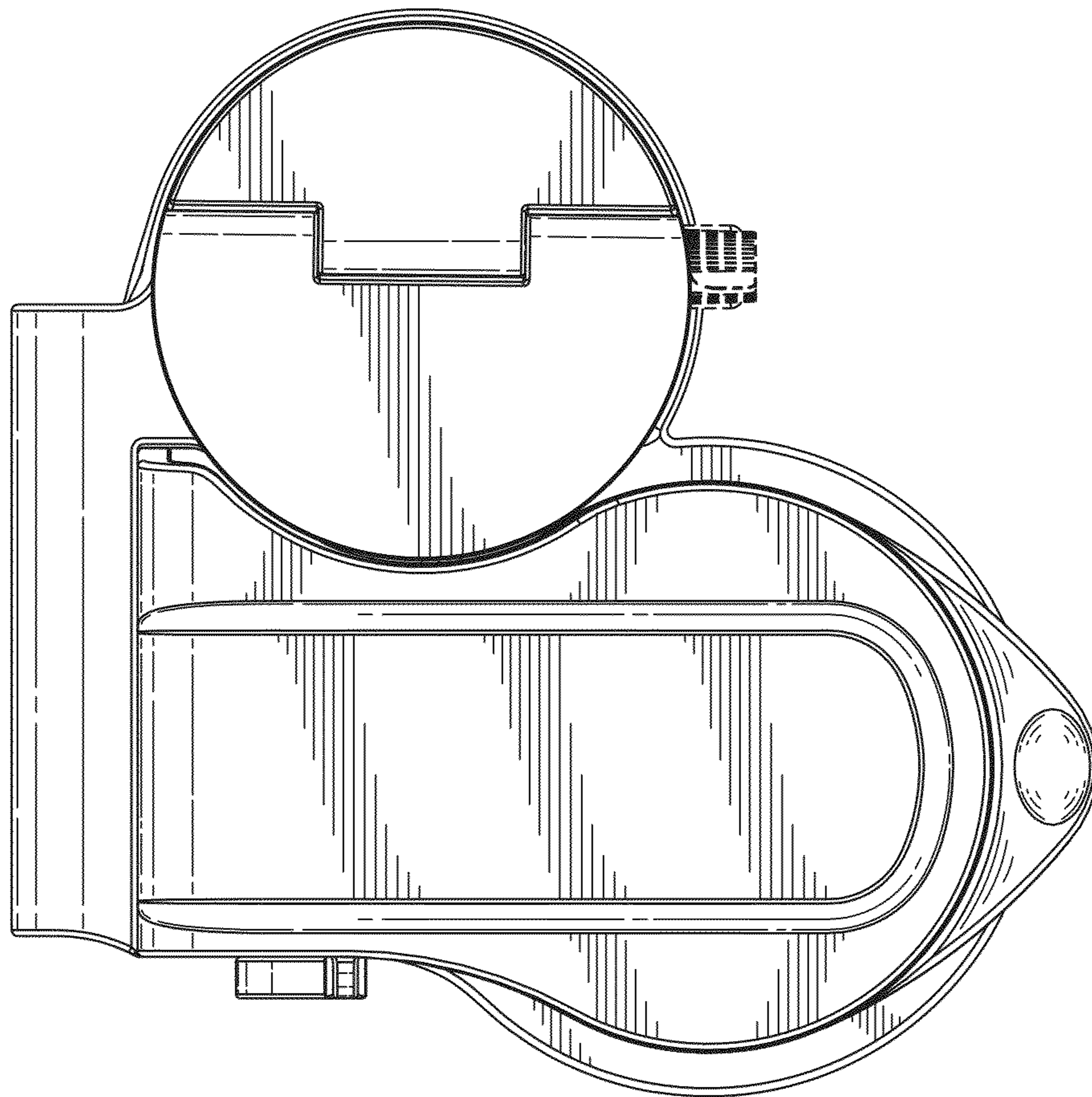


FIG. 5

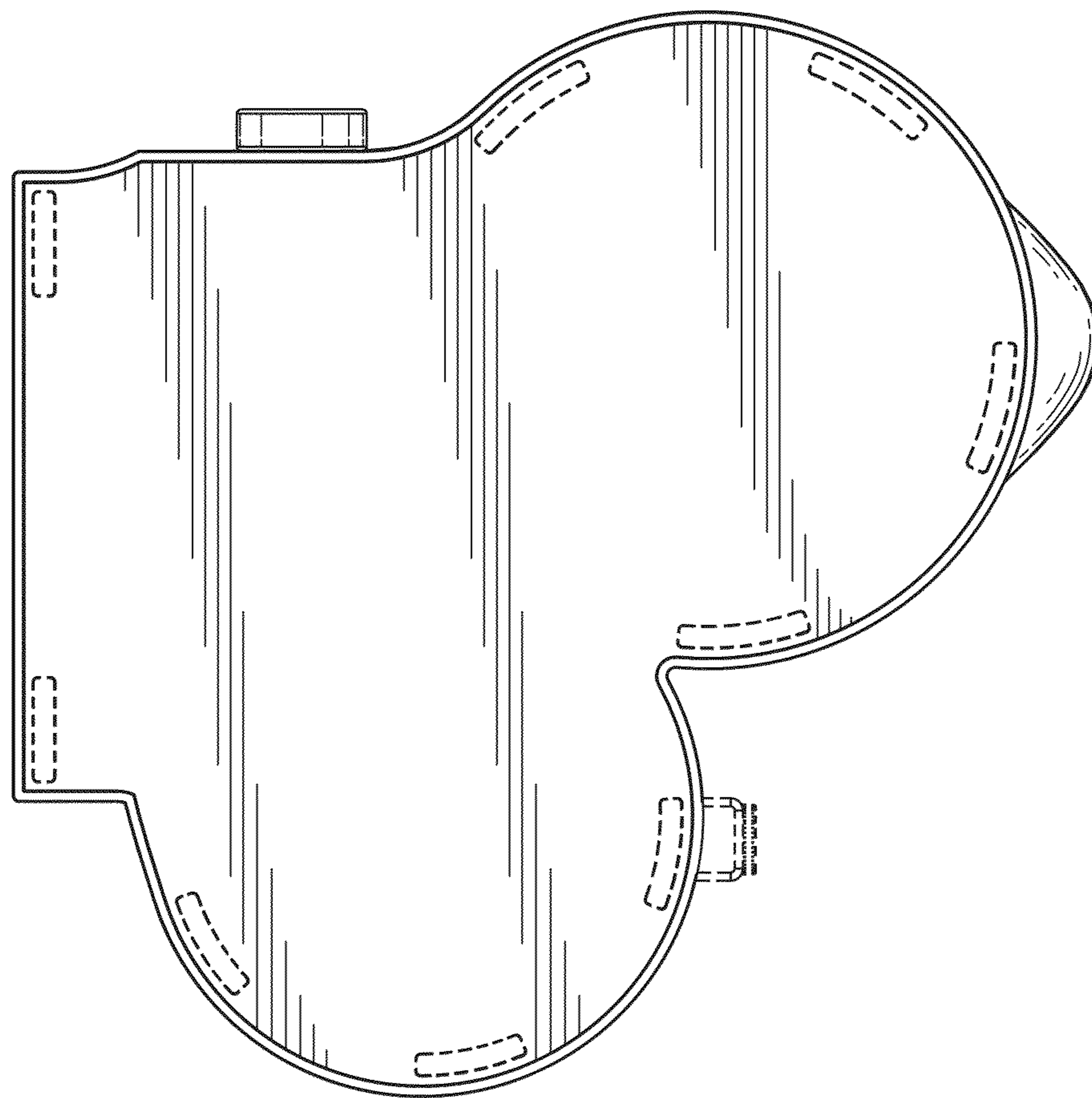


FIG. 6

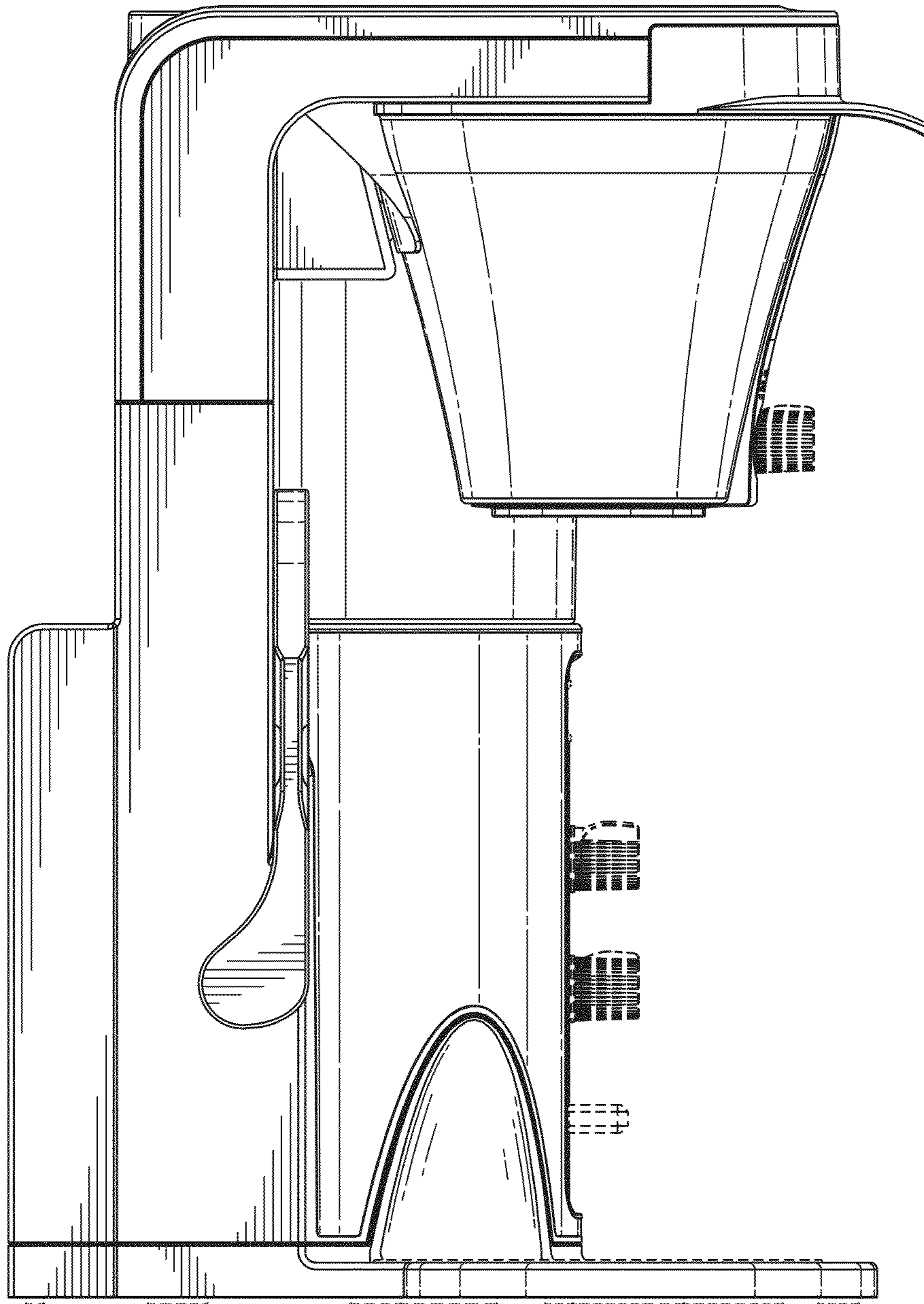


FIG. 7

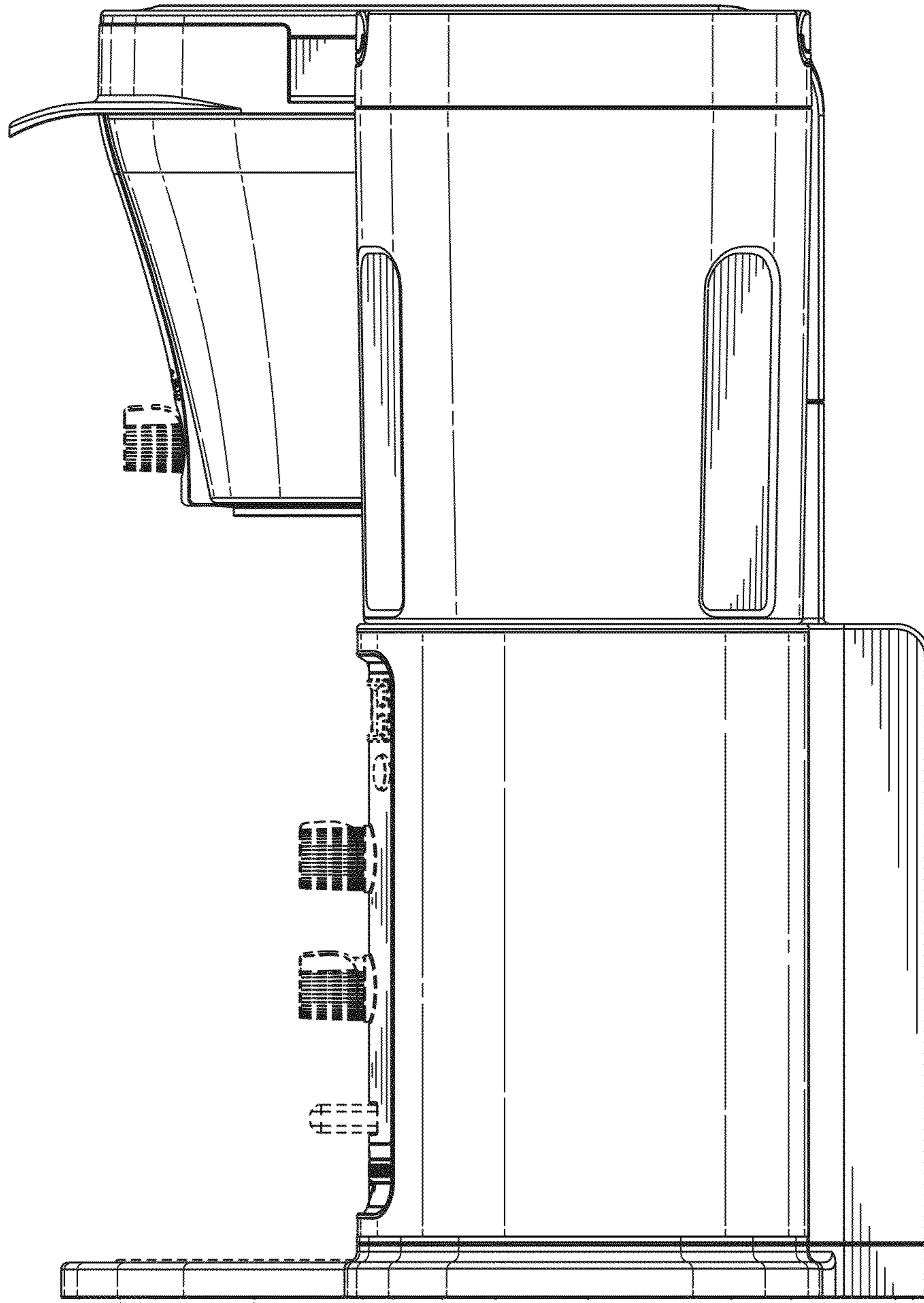


FIG. 8