

US00D736024S

(12) **United States Design Patent**  
**Taubman et al.**

(10) **Patent No.:** **US D736,024 S**  
(45) **Date of Patent:** **\*\* Aug. 11, 2015**

(54) **FLOW DEVICE**

(71) Applicants: **Wyatt Taubman**, San Francisco, CA (US); **Ravi Sawhney**, Thousand Oaks, CA (US); **Noureddine Malaeb**, Los Angeles, CA (US); **Lance Hussey**, Thousand Oaks, CA (US); **Kurt Botsai**, Thousand Oaks, CA (US); **Greg Vanderpol**, Thousand Oaks, CA (US)

(72) Inventors: **Wyatt Taubman**, San Francisco, CA (US); **Ravi Sawhney**, Thousand Oaks, CA (US); **Noureddine Malaeb**, Los Angeles, CA (US); **Lance Hussey**, Thousand Oaks, CA (US); **Kurt Botsai**, Thousand Oaks, CA (US); **Greg Vanderpol**, Thousand Oaks, CA (US)

(73) Assignee: **FLO WATER INC.**, San Francisco, CA (US)

(\*\*) Term: **14 Years**

(21) Appl. No.: **29/468,826**

(22) Filed: **Oct. 3, 2013**

(51) **LOC (10) Cl.** ..... **07-01**

(52) **U.S. Cl.**  
USPC ..... **D7/306; D7/305; D7/311**

(58) **Field of Classification Search**  
USPC ..... D7/300, 300.1, 300.2, 304–318, 326, D7/386, 397–399; 99/281, 305, 307; 141/247; 222/146.6, 136.1; 62/390, 62/395, 398, 389; 221/10, 92, 96, 104, 221/124, 126; D20/1, 4, 5  
CPC ..... A47J 31/44; A47J 31/42; G04B 3/10  
See application file for complete search history.

(56) **References Cited**

**U.S. PATENT DOCUMENTS**

D235,816 S \* 7/1975 Hall ..... D7/308  
D310,612 S \* 9/1990 Desrosiers ..... D7/307  
D367,797 S \* 3/1996 Hauser et al. .... D7/307

D376,949 S \* 12/1996 Barriault et al. .... D7/306  
D436,789 S \* 1/2001 Dickson et al. .... D7/306  
D482,231 S \* 11/2003 Dickson et al. .... D7/378  
D519,790 S \* 5/2006 Loving ..... D7/606  
D526,827 S \* 8/2006 Allen et al. .... D7/306  
D541,351 S \* 4/2007 Tidman et al. .... D20/8  
D554,930 S \* 11/2007 Lavy ..... D7/307  
D600,060 S \* 9/2009 Fletcher et al. .... D7/306  
7,610,849 B2 \* 11/2009 Bigge et al. .... 99/290  
D608,130 S \* 1/2010 Moon et al. .... D7/306  
D638,476 S \* 5/2011 Hoffman et al. .... D20/1  
D643,240 S \* 8/2011 Yui ..... D7/307  
D643,668 S \* 8/2011 Yui ..... D7/307  
D649,391 S \* 11/2011 Goralski et al. .... D7/306  
D651,444 S \* 1/2012 Lee ..... D7/306  
D651,842 S \* 1/2012 Spear et al. .... D7/306  
D668,904 S \* 10/2012 Walton et al. .... D7/313  
D683,173 S \* 5/2013 Liang ..... D7/306  
D692,713 S \* 11/2013 Diehl ..... D7/309  
D696,349 S \* 12/2013 d'Amore et al. .... D20/1  
D698,391 S \* 1/2014 d'Amore et al. .... D20/1  
2012/0248154 A1 \* 10/2012 Yui ..... 222/505  
2013/0167563 A1 \* 7/2013 Lee et al. .... 62/66

\* cited by examiner

*Primary Examiner* — Marianne Pandozzi

*Assistant Examiner* — Jae Liang

(74) *Attorney, Agent, or Firm* — Innovation Counsel LLP

(57) **CLAIM**

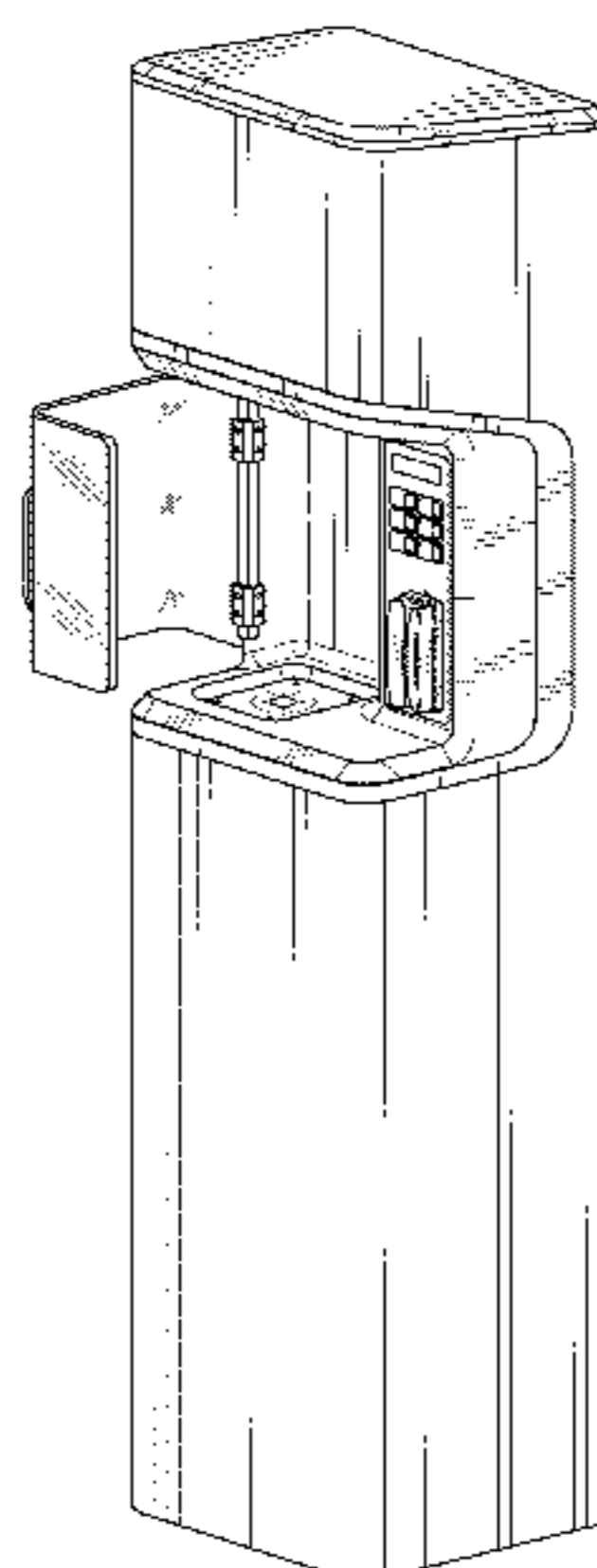
We claim the ornamental design for a flow device, substantially as shown and described.

**DESCRIPTION**

FIG. 1 is a front left perspective view of a flow device in accordance with the present design;  
FIG. 2 is a top left perspective view in open position thereof;  
FIG. 3 is a bottom left perspective view in open position thereof;  
FIG. 4 is a front view thereof;  
FIG. 5 is a back view thereof;  
FIG. 6 is a right side view thereof;  
FIG. 7 is a left side view thereof;  
FIG. 8 is a top view thereof; and,  
FIG. 9 is a bottom view thereof.

The broken line showing in the figure drawings are included for the purpose of illustration and form no part of the claimed design.

**1 Claim, 8 Drawing Sheets**



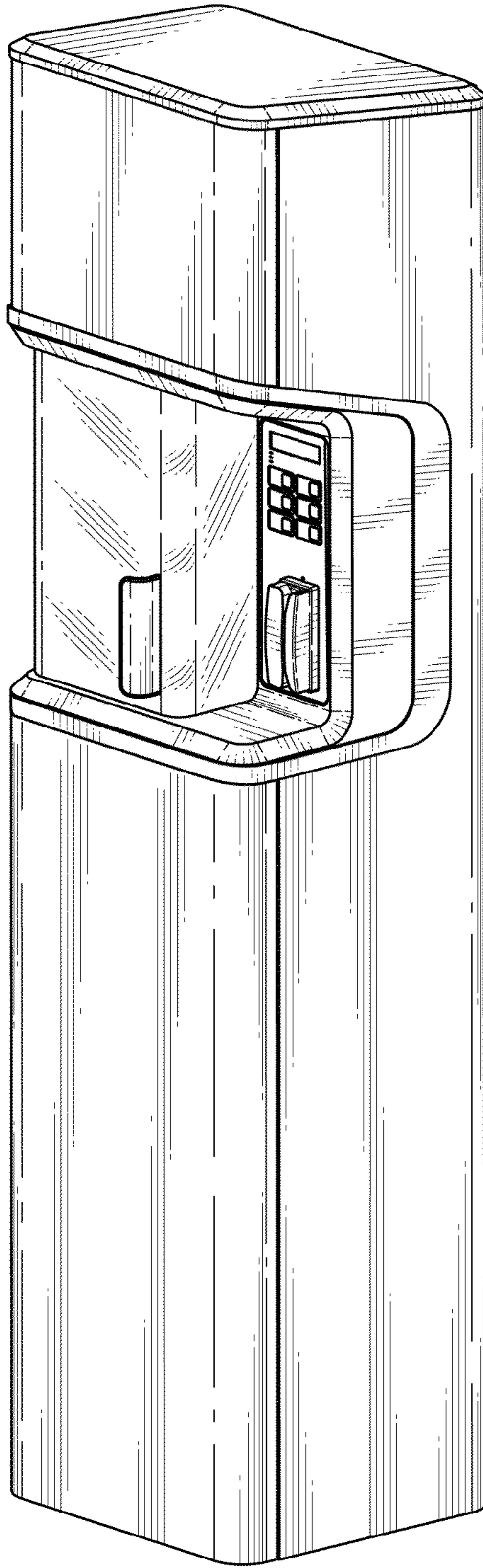


FIG. 1

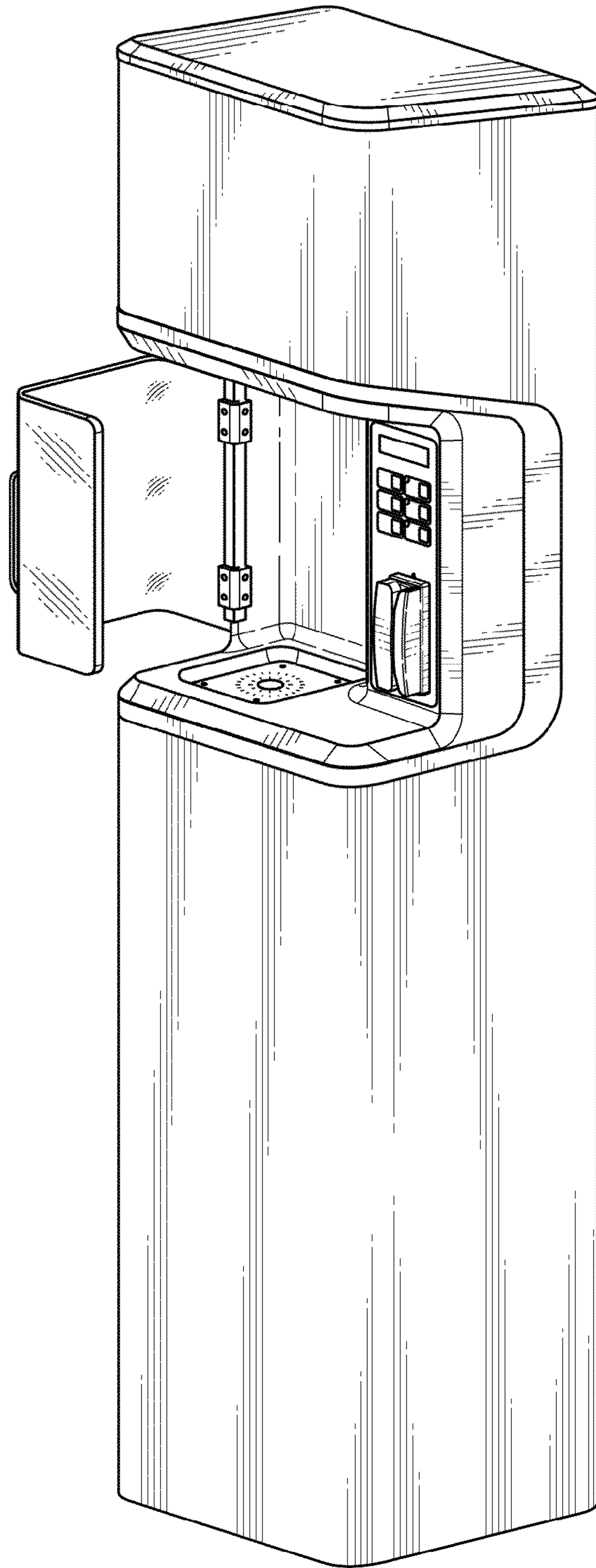


FIG. 2

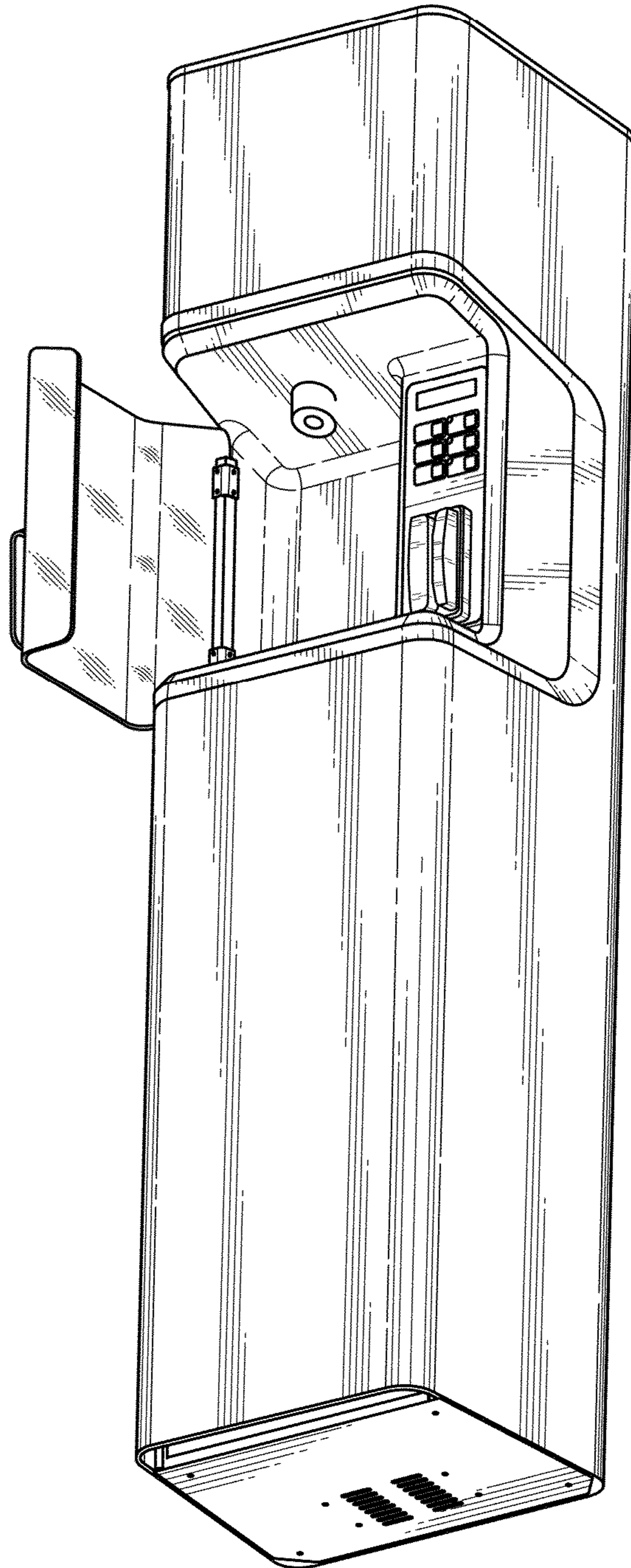


FIG. 3

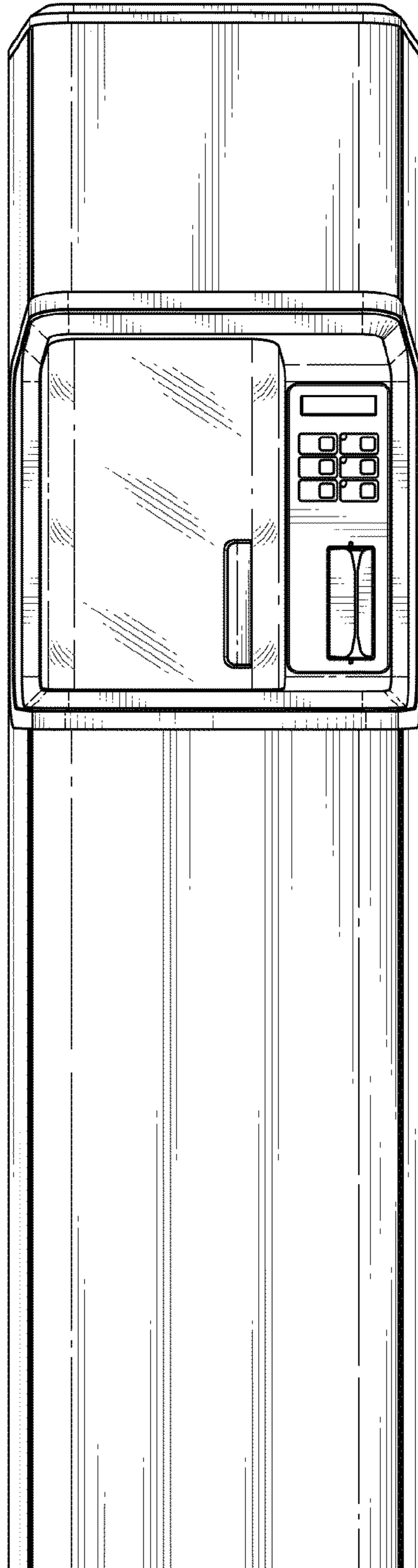


FIG. 4

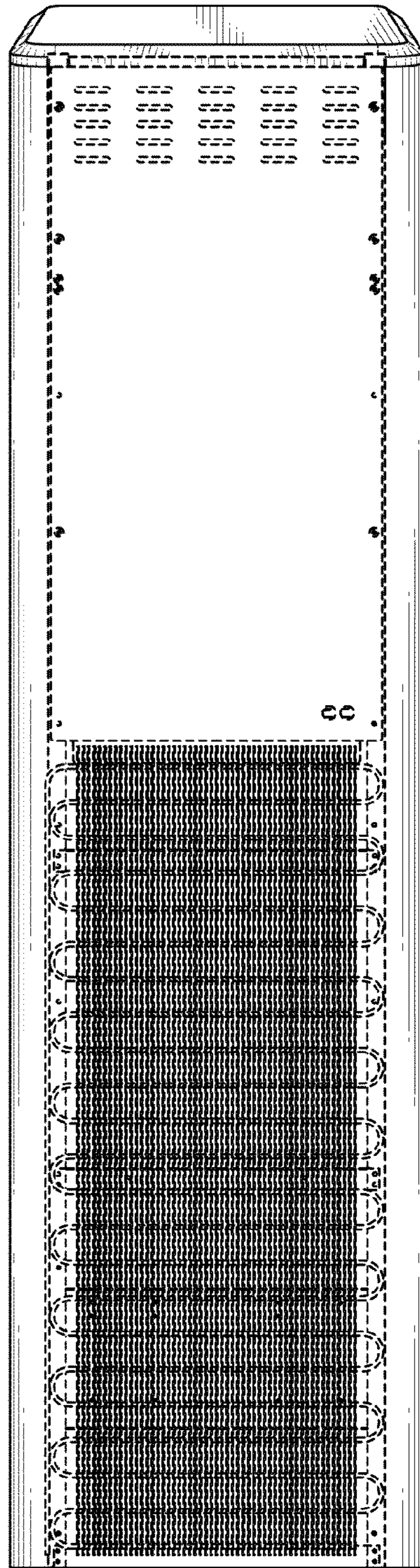


FIG. 5

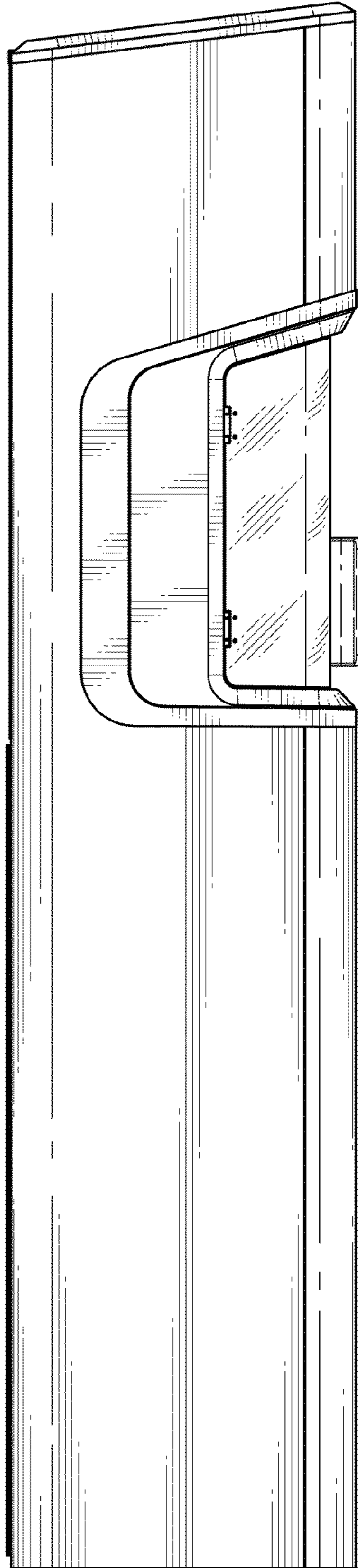
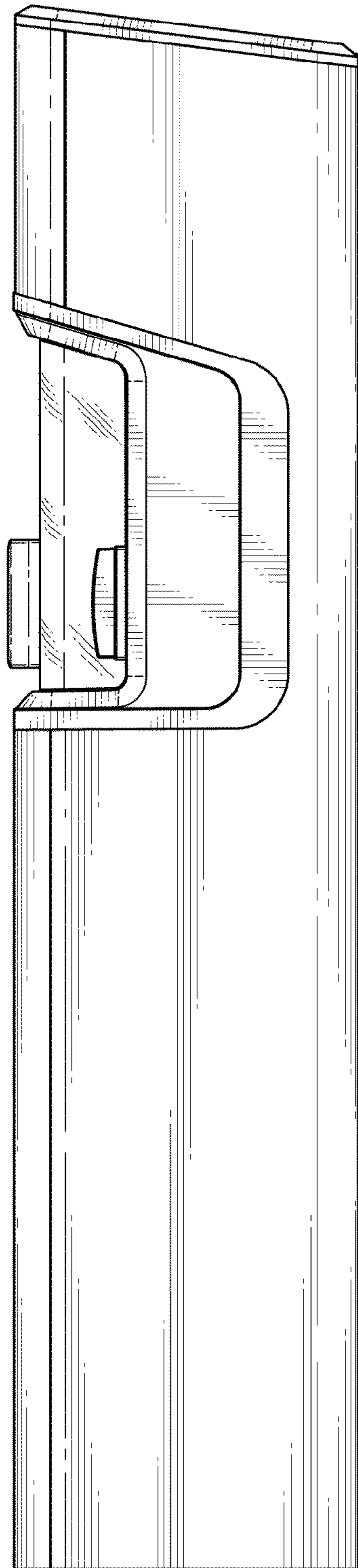
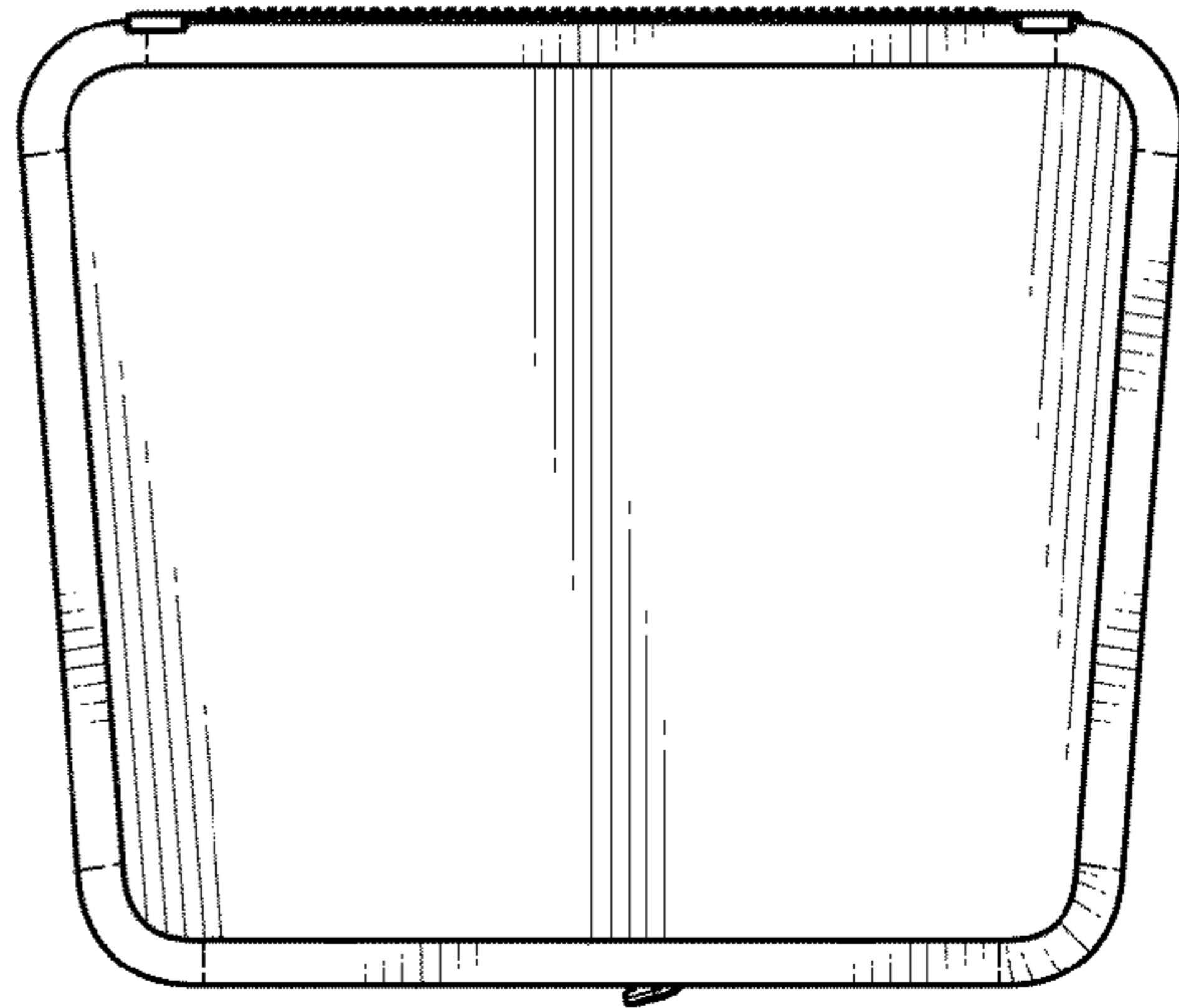


FIG. 6

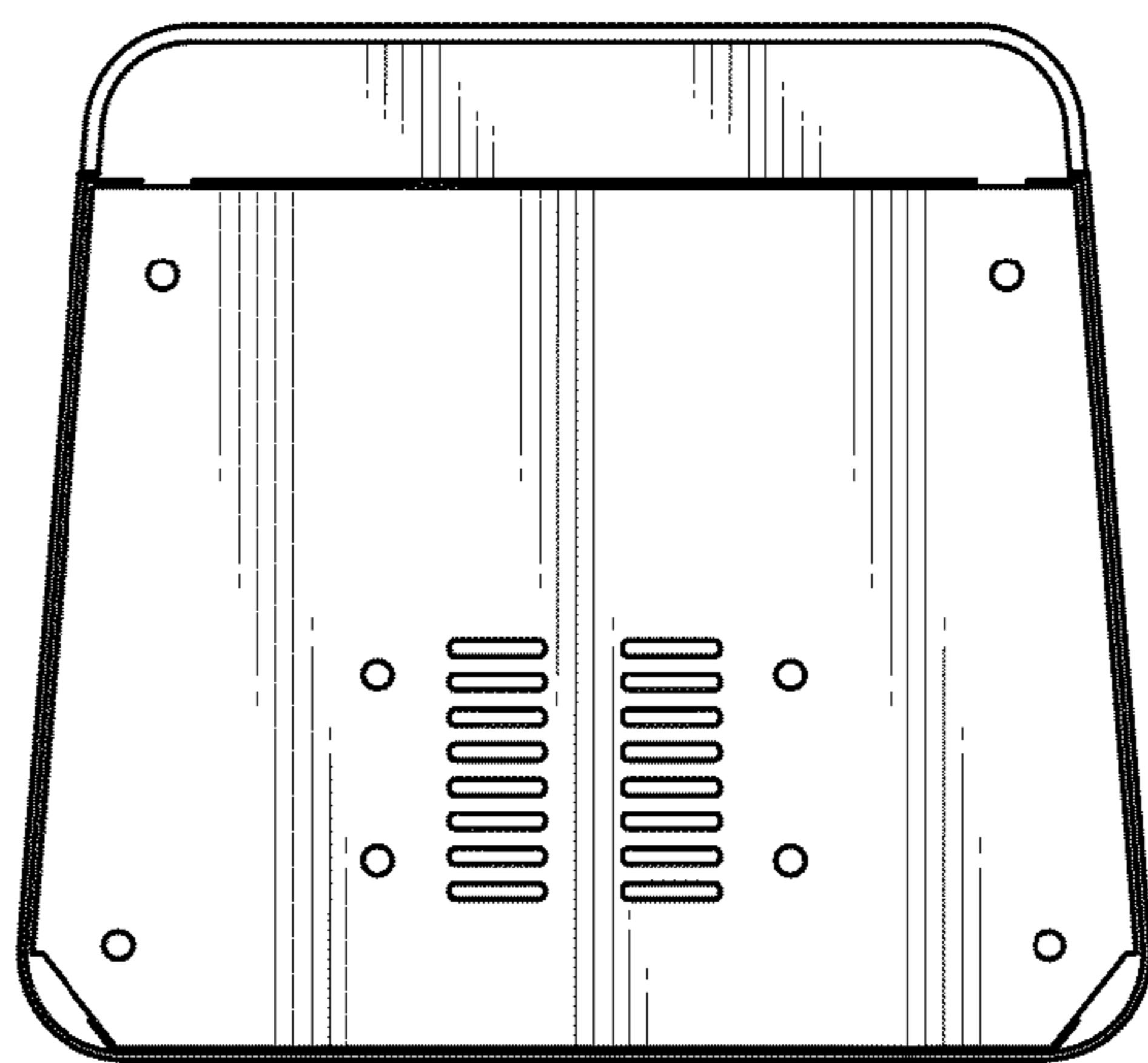


**FIG. 7**





**FIG. 8**



**FIG. 9**