



US00D736023S

(12) **United States Design Patent**
Rawls-Meehan

(10) **Patent No.:** **US D736,023 S**
(45) **Date of Patent:** **** Aug. 11, 2015**

- (54) **ADJUSTABLE BED**
- (71) Applicant: **ASCION, LLC**, Bloomfield Hills, MI (US)
- (72) Inventor: **Martin B. Rawls-Meehan**, Franklin, MI (US)
- (73) Assignee: **ASCION, LLC**, Bloomfield Hills, MI (US)
- (**) Term: **14 Years**
- (21) Appl. No.: **29/508,204**
- (22) Filed: **Nov. 4, 2014**

1,371,098 A	3/1921	Jones
2,147,538 A	2/1939	Maguire
2,644,961 A	7/1953	Hillenbrand et al.
3,061,843 A	11/1962	Singer et al.
3,113,567 A	12/1963	Russell
3,145,020 A	8/1964	Calla
3,644,946 A	2/1972	Swatt
3,854,153 A	12/1974	Fadler et al.
3,885,259 A	5/1975	Cheong
3,921,230 A	11/1975	Hanning et al.
4,095,296 A	6/1978	Ferro
4,194,255 A	3/1980	Poppe
D255,402 S	6/1980	Lundgren
4,243,263 A	1/1981	Thiboutot
D271,729 S	12/1983	Dodrill
4,447,921 A	5/1984	Greenblatt
4,458,371 A	7/1984	Whitehead
4,589,620 A	5/1986	Sakamoto
4,764,881 A	8/1988	Gagnon

(Continued)

Related U.S. Application Data

- (63) Continuation of application No. 29/445,032, filed on Feb. 6, 2013, now Pat. No. Des. 717,088, which is a continuation of application No. 13/750,934, filed on Jan. 25, 2013, application No. 29/508,204, which is a continuation of application No. 29/445,033, filed on Feb. 6, 2013, now Pat. No. Des. 717,575, which is a continuation of application No. 13/750,934, filed on Jan. 25, 2013.

- (51) **LOC (10) Cl.** **06-06**
- (52) **U.S. Cl.**
USPC **D6/718**
- (58) **Field of Classification Search**
USPC D6/382-384, 392-395, 702, 605;
5/53.1, 279.1, 280, 281, 907, 613, 616,
5/618, 722
See application file for complete search history.

(56) **References Cited**

U.S. PATENT DOCUMENTS

399,254 A	3/1889	Foster
1,259,650 A	3/1918	McIntyre

FOREIGN PATENT DOCUMENTS

GB	920643 A	3/1963
JP	3068744 B2	7/2000

(Continued)

Primary Examiner — Janice Seeger
(74) *Attorney, Agent, or Firm* — Gifford, Krass, Sprinkle, Anderson & Citkowski, P.C.; Douglas L. Wathen

(57) **CLAIM**

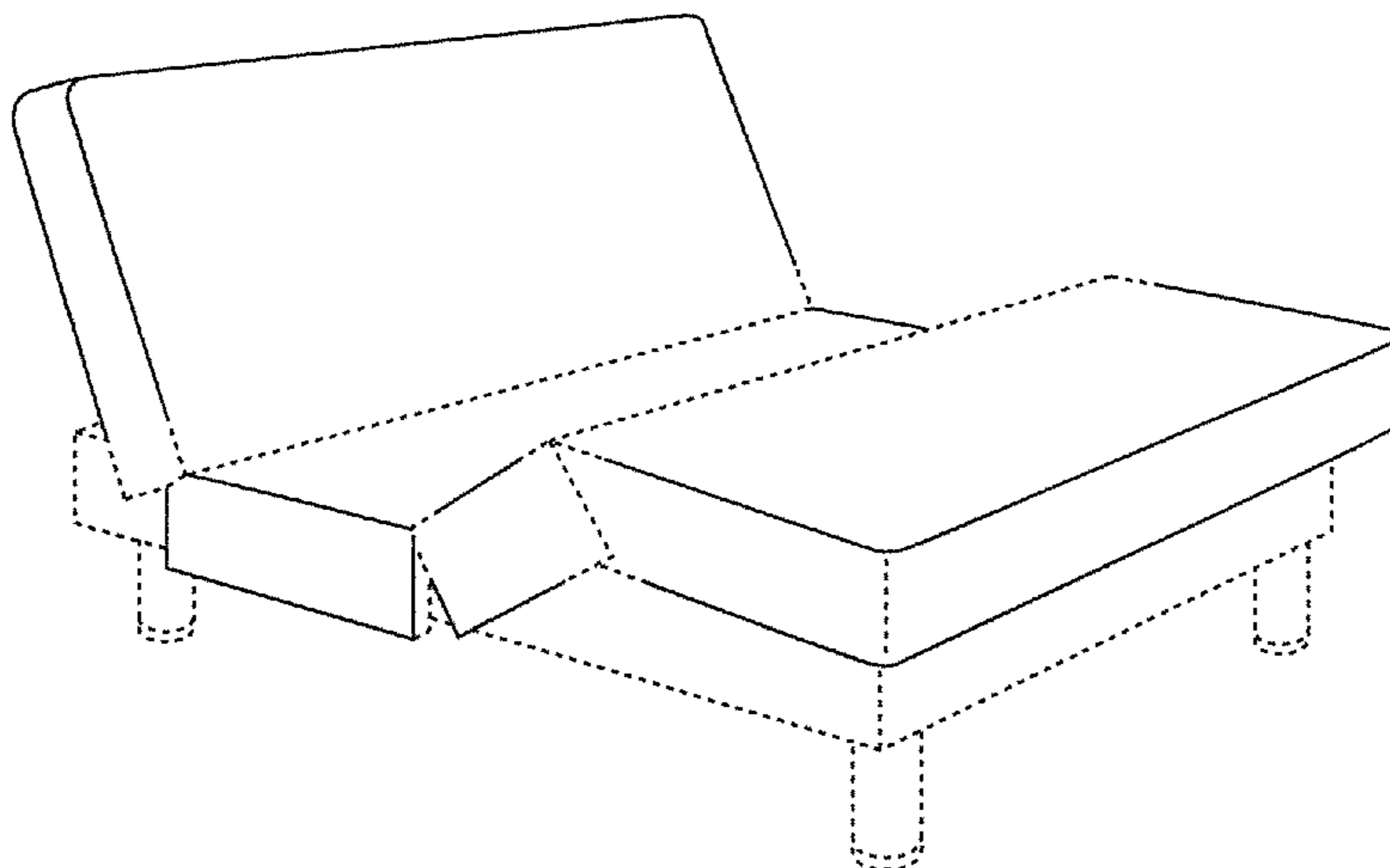
The ornamental design for an adjustable bed, as shown and described.

DESCRIPTION

FIG. 1 is a perspective view of an adjustable bed in accordance with the present invention; and, FIG. 2 is a side perspective view of the adjustable bed of FIG. 1.

The broken lines are for environmental purposes only and form no part of the claimed design.

1 Claim, 1 Drawing Sheet



(56)

References Cited

U.S. PATENT DOCUMENTS

4,868,941 A 9/1989 Tai
 5,079,790 A 1/1992 Pouch
 5,165,129 A 11/1992 Rohm
 5,210,890 A 5/1993 Hagglund
 5,230,113 A 7/1993 Foster et al.
 5,235,258 A 8/1993 Schuerch
 5,257,428 A 11/1993 Carroll et al.
 5,335,313 A 8/1994 Douglas
 5,544,376 A 8/1996 Fromson
 5,577,280 A 11/1996 Elliott
 5,592,153 A 1/1997 Welling et al.
 5,600,214 A 2/1997 Fromson
 5,659,905 A 8/1997 Palmer, Jr. et al.
 5,664,270 A 9/1997 Bell et al.
 5,720,471 A 2/1998 Constantinescu et al.
 5,771,511 A 6/1998 Kummer et al.
 5,787,528 A 8/1998 Antinori
 5,948,303 A 9/1999 Larson
 5,969,488 A 10/1999 Fromson
 6,008,598 A 12/1999 Luff et al.
 6,079,065 A 6/2000 Luff et al.
 6,101,647 A 8/2000 Stroud et al.
 6,106,576 A 8/2000 Fromson
 6,128,798 A 10/2000 Barman et al.
 6,209,157 B1 4/2001 Hensley
 6,263,527 B1 7/2001 Ross et al.
 6,276,011 B1 8/2001 Antinori
 6,311,348 B1 11/2001 Luff et al.
 6,315,319 B1 11/2001 Hanson et al.
 6,347,423 B1 2/2002 Stumpf
 6,374,436 B1 4/2002 Foster et al.
 6,378,152 B1 4/2002 Washburn et al.
 6,393,641 B1 5/2002 Hensley
 6,446,282 B1 9/2002 Wu
 6,486,792 B1 11/2002 Moster et al.
 6,499,161 B1 12/2002 Godette
 6,600,421 B2 7/2003 Freeman
 6,681,425 B2 1/2004 Leventhal et al.
 6,684,423 B2 2/2004 Godette
 6,708,358 B2 3/2004 Hensley
 6,748,278 B1 6/2004 Maymudes
 6,928,673 B2 8/2005 Risk, Jr.
 6,971,997 B1 12/2005 Ryan et al.
 7,000,269 B2 2/2006 Borda
 7,017,208 B2 3/2006 Weismiller et al.
 7,040,057 B2 5/2006 Gallant et al.
 7,047,579 B2 5/2006 Piana et al.
 7,120,956 B1 10/2006 Liao
 7,154,397 B2 12/2006 Zerhusen et al.
 7,165,277 B2 1/2007 Taguchi et al.
 7,174,586 B2 2/2007 Nagaoka
 7,237,287 B2 7/2007 Weismiller et al.
 7,242,308 B2 7/2007 Ulrich et al.
 7,315,535 B2 1/2008 Schuman
 7,321,811 B1 1/2008 Rawls-Meehan et al.
 7,322,058 B2 1/2008 Long
 7,346,944 B2 3/2008 Shaw
 7,353,550 B2 4/2008 Antinori
 7,364,539 B2 4/2008 Mackin et al.
 7,448,100 B1 11/2008 Shih
 7,465,280 B2 12/2008 Rawls-Meehan
 7,477,285 B1 1/2009 Johnson
 7,690,060 B2 4/2010 Rodrigues Moreira
 7,698,756 B1 4/2010 Chen
 7,805,782 B2 10/2010 Hakamiun et al.
 7,832,039 B2 11/2010 Chambers et al.
 7,886,379 B2 2/2011 Benzo et al.
 7,900,302 B2 3/2011 Long
 8,069,512 B2 12/2011 Rawls-Meehan
 D653,870 S 2/2012 Messenger
 D657,158 S 4/2012 McCarty et al.
 8,375,488 B2 2/2013 Rawls-Meehan
 D717,088 S * 11/2014 Rawls-Meehan D6/718
 D717,575 S * 11/2014 Rawls-Meehan D6/718
 D719,759 S * 12/2014 Rawls-Meehan D6/392

2002/0091340 A1 7/2002 Robbins
 2003/0009831 A1 1/2003 Giori et al.
 2003/0052787 A1 3/2003 Zerhusen et al.
 2004/0068797 A1 4/2004 Smith et al.
 2004/0117835 A1 6/2004 Lorkovic
 2004/0133987 A1 7/2004 Reeder et al.
 2004/0139546 A1 7/2004 Ferrand et al.
 2004/0143201 A1 7/2004 Moriyasu
 2004/0183681 A1 9/2004 Smith
 2004/0216235 A1 11/2004 Rees
 2005/0000020 A1 1/2005 Schermel
 2005/0011005 A1 1/2005 Borda
 2005/0102167 A1 5/2005 Kapoor
 2006/0037532 A1 2/2006 Eidson
 2006/0056616 A1 3/2006 Heimbrock
 2006/0058587 A1 3/2006 Heimbrock et al.
 2006/0087097 A1 4/2006 Kramer et al.
 2006/0146017 A1 7/2006 Leung et al.
 2006/0179571 A1 8/2006 Newkirk
 2006/0271207 A1 11/2006 Shaw
 2006/0277683 A1 12/2006 Lamire et al.
 2006/0282945 A1 12/2006 Gallawa et al.
 2007/0000057 A1 1/2007 Ward
 2007/0143920 A1 6/2007 Frondorf et al.
 2007/0163045 A1 7/2007 Becker et al.
 2007/0174964 A1 8/2007 Lemire et al.
 2007/0220677 A1 9/2007 Dewert
 2008/0028535 A1 2/2008 Rodrigues Moreira
 2008/0052831 A1 3/2008 Weismiller et al.
 2008/0071200 A1 3/2008 Rawls-Meehan
 2008/0092291 A1 4/2008 Rawls-Meehan
 2008/0092292 A1 4/2008 Rawls-Meehan
 2008/0092293 A1 4/2008 Rawls-Meehan
 2008/0092294 A1 4/2008 Rawls-Meehan
 2008/0094207 A1 4/2008 Collins et al.
 2008/0104750 A1 5/2008 Rawls-Meehan
 2008/0104754 A1 5/2008 Rawls-Meehan
 2008/0104755 A1 5/2008 Rawls-Meehan
 2008/0104756 A1 5/2008 Rawls-Meehan
 2008/0104757 A1 5/2008 Rawls-Meehan
 2008/0104758 A1 5/2008 Rawls-Meehan
 2008/0104759 A1 5/2008 Rawls-Meehan
 2008/0104760 A1 5/2008 Rawls-Meehan
 2008/0104761 A1 5/2008 Rawls-Meehan
 2008/0109959 A1 5/2008 Rawls-Meehan
 2008/0115272 A1 5/2008 Rawls-Meehan
 2008/0115273 A1 5/2008 Rawls-Meehan
 2008/0115274 A1 5/2008 Rawls-Meehan
 2008/0115275 A1 5/2008 Rawls-Meehan
 2008/0115276 A1 5/2008 Rawls-Meehan
 2008/0115277 A1 5/2008 Rawls-Meehan
 2008/0115278 A1 5/2008 Rawls-Meehan
 2008/0115279 A1 5/2008 Rawls-Meehan
 2008/0115280 A1 5/2008 Rawls-Meehan
 2008/0115281 A1 5/2008 Rawls-Meehan
 2008/0115282 A1 5/2008 Rawls-Meehan
 2008/0120775 A1 5/2008 Rawls-Meehan
 2008/0120776 A1 5/2008 Rawls-Meehan
 2008/0120777 A1 5/2008 Rawls-Meehan
 2008/0120778 A1 5/2008 Rawls-Meehan
 2008/0120779 A1 5/2008 Rawls-Meehan
 2008/0127418 A1 6/2008 Rawls-Meehan
 2008/0224861 A1 9/2008 McNeely et al.
 2009/0038073 A1 2/2009 Dippl et al.
 2009/0100599 A1 4/2009 Rawls-Meehan
 2009/0121660 A1 5/2009 Rawls-Meehan
 2009/0300844 A1 12/2009 Taylor
 2010/0275376 A1 11/2010 Benzo et al.
 2010/0287699 A1 11/2010 Brune
 2011/0010860 A1 1/2011 Grimes et al.
 2011/0191959 A1 8/2011 Hornbach et al.
 2011/0219545 A1 9/2011 Dorenbeck et al.

FOREIGN PATENT DOCUMENTS

JP 2004105285 A 4/2004
 JP 2005118163 A 5/2005
 KP 200072802 Y1 2/1993
 KP 200214428 Y1 3/2001

(56)

References Cited

FOREIGN PATENT DOCUMENTS

KR

200072802 Y1 2/1993

WO WO-2008034037 A2 3/2008
WO WO-2009055432 A2 4/2009
WO WO-2009120970 A2 10/2009

* cited by examiner

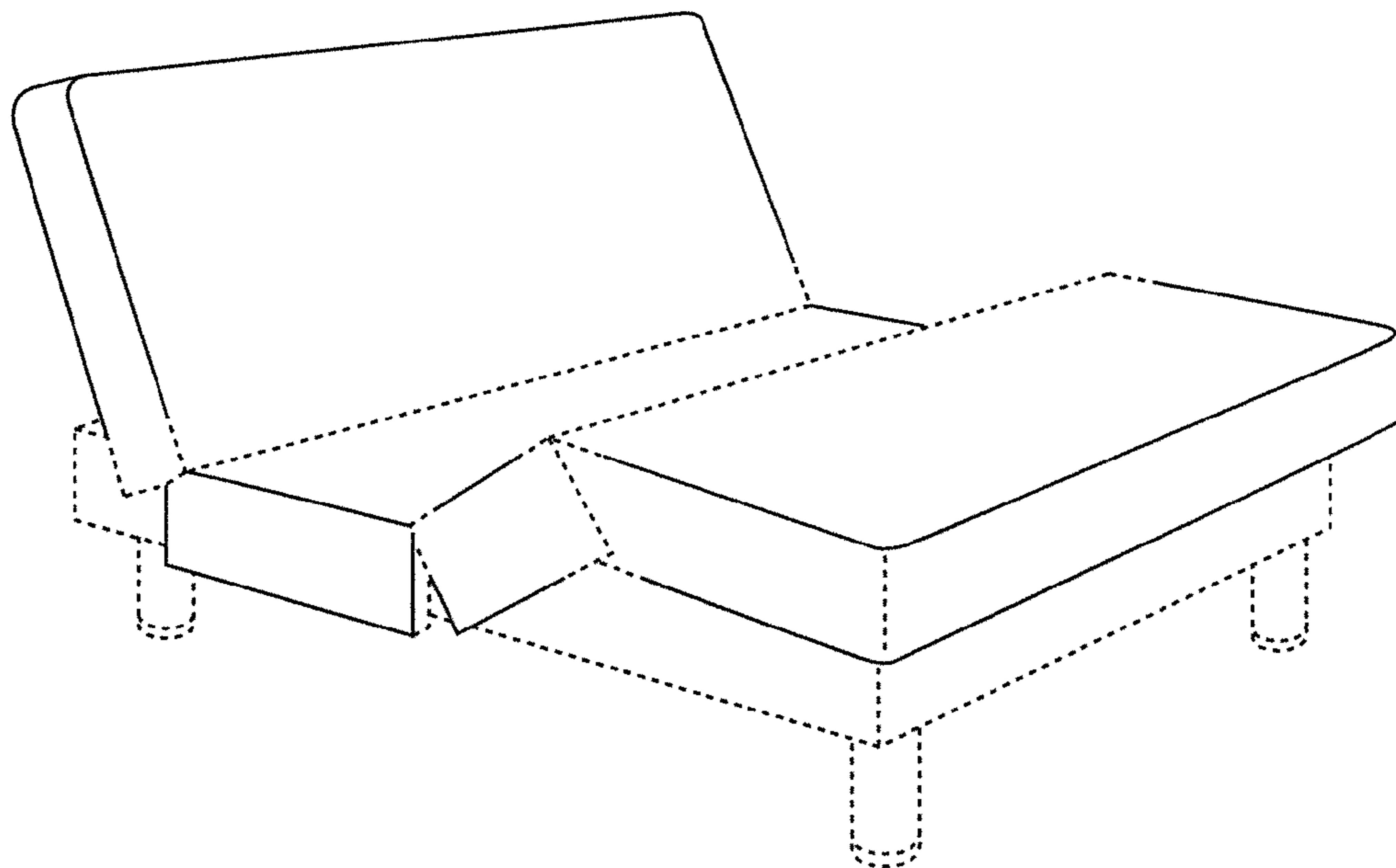


FIG. 1

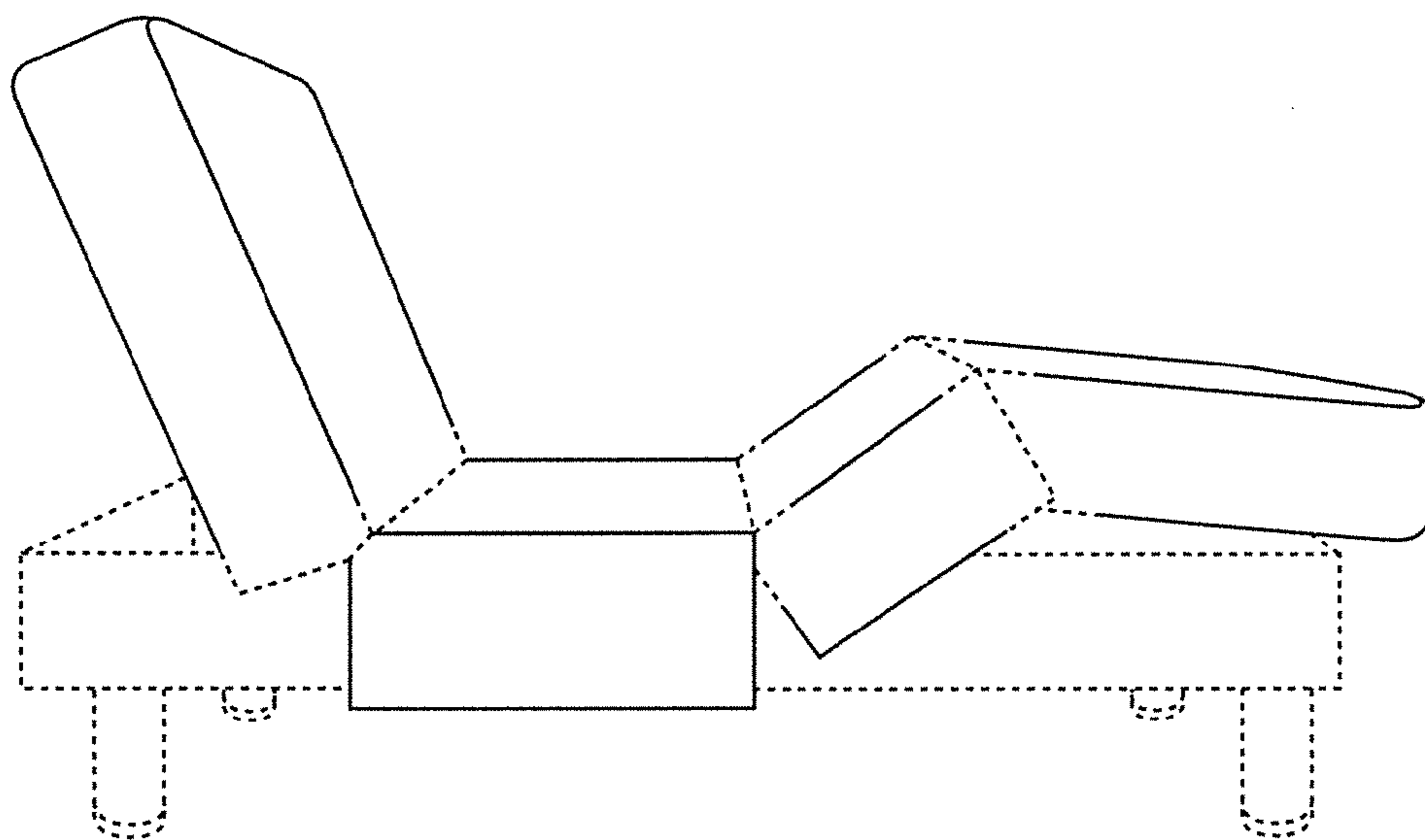


FIG. 2