

US00D736021S

(12) **United States Design Patent**
Legare

(10) **Patent No.:** **US D736,021 S**

(45) **Date of Patent:** **** Aug. 11, 2015**

(54) **TABLE TOP**

(71) Applicant: **TABLES MODULAIRES
POSITIONNELLES 2008 INC.,
Saint-Germain-de-Grantham (CA)**

(72) Inventor: **Marc-Antoine Legare, Drummondville
(CA)**

(73) Assignee: **TABLES MODULAIRES
POSITIONNELLES 2008 INC.,
St-Germain-de-Grantham (CA)**

(**) Term: **14 Years**

(21) Appl. No.: **29/460,533**

(22) Filed: **Jul. 11, 2013**

(51) **LOC (10) Cl.** **06-06**

(52) **U.S. Cl.**
USPC **D6/707.22; D6/707.15**

(58) **Field of Classification Search**
USPC D6/696, 696.1, 696.2, 696.3, 696.5,
D6/696.7, 707.22, 678, 707.15; 108/64,
108/66, 76, 147.9
CPC A47B 87/002; A47B 2087/004; A47B
13/10; A47B 13/081; A47B 11/00; A47B
2200/0003; A47B 2200/0039

See application file for complete search history.

(56) **References Cited**

U.S. PATENT DOCUMENTS

D286,353	S	*	10/1986	Robolin	D6/474
5,438,937	A	*	8/1995	Ball et al.	108/64
D548,493	S	*	8/2007	Diekman	D6/482
D569,142	S	*	5/2008	Burak	D6/511
2006/0180055	A1	*	8/2006	Mulmed	108/64

OTHER PUBLICATIONS

Tables Modulaires Positionnelles Inc., 2013 Catalogue, pp. 1, 2, 4 and 6, 1990 models.

* cited by examiner

Primary Examiner — Janice Seeger

(57) **CLAIM**

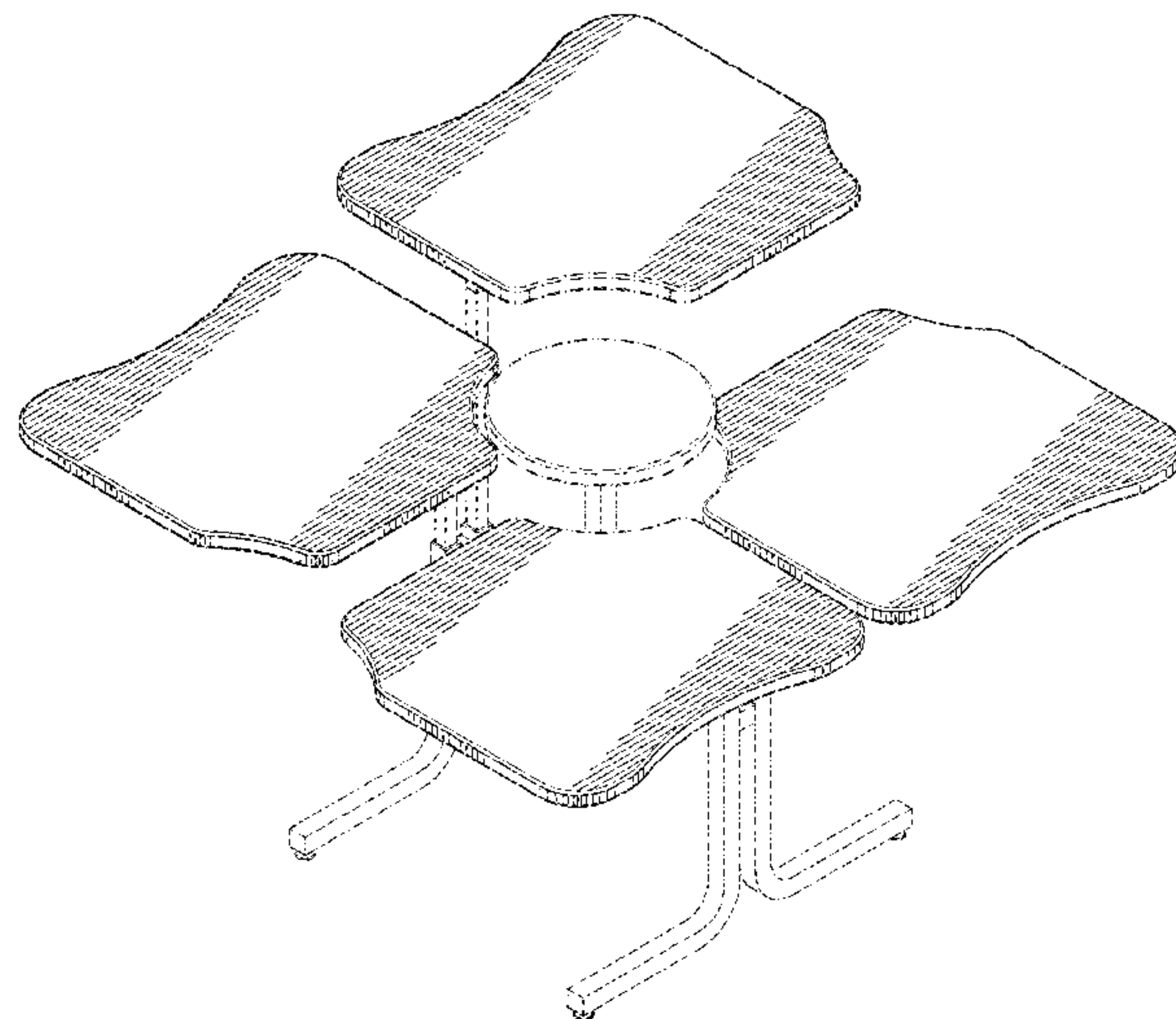
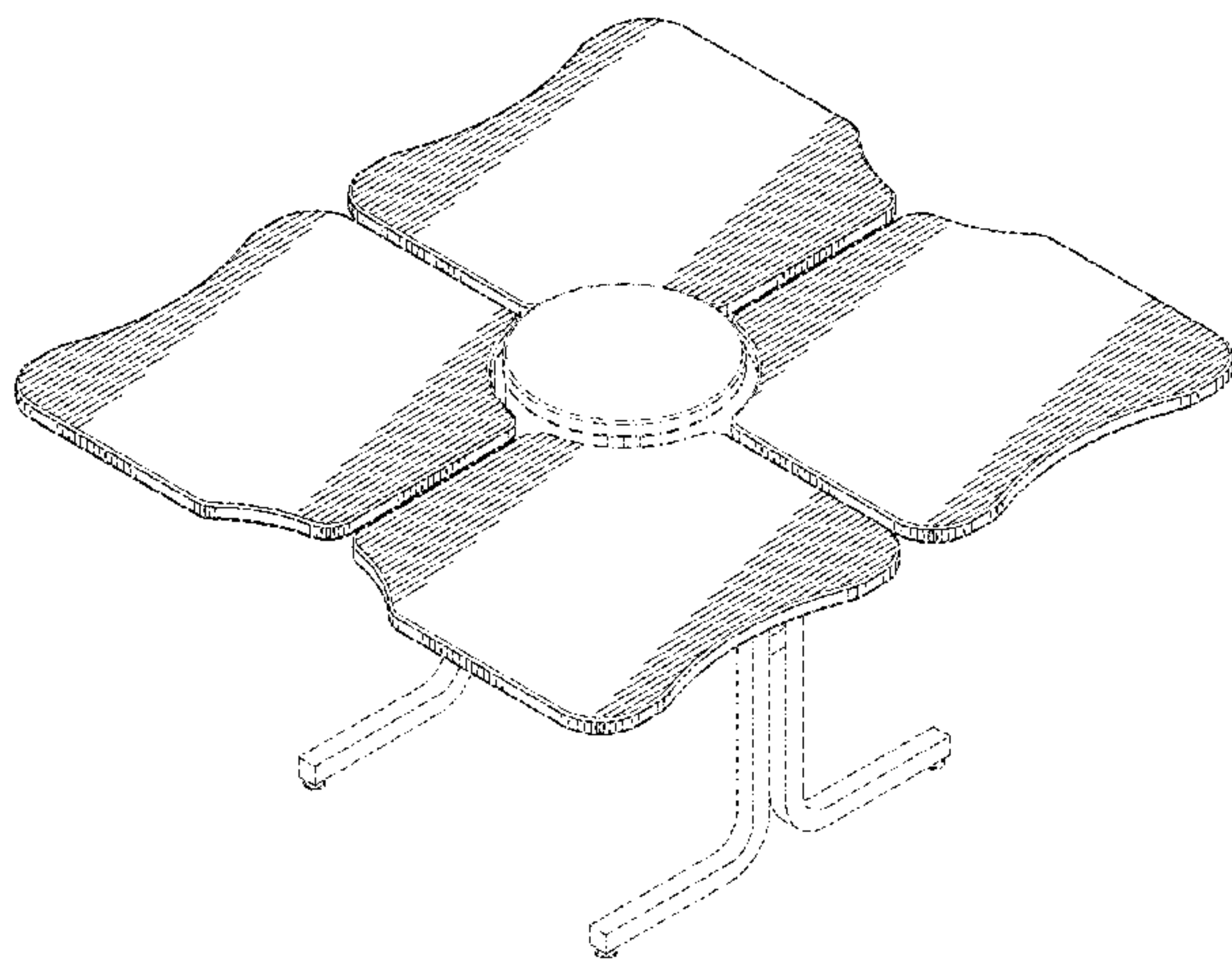
The ornamental design for a table top, as shown and described.

DESCRIPTION

FIG. 1 is a perspective view of a table top in a first embodiment showing my new design;
FIG. 2 is a top view of the table top of FIG. 1;
FIG. 3 is a first side view of the table top of FIG. 1;
FIG. 4 is second side view of the table top of FIG. 1;
FIG. 5 is a bottom view of the table top of FIG. 1; and,
FIG. 6 is a perspective view of the table top in a second embodiment.

The broken lines represent environment and form no part of the claimed design. The dot dash lines represent unclaimed boundary lines and form no part of the claimed design.

1 Claim, 5 Drawing Sheets



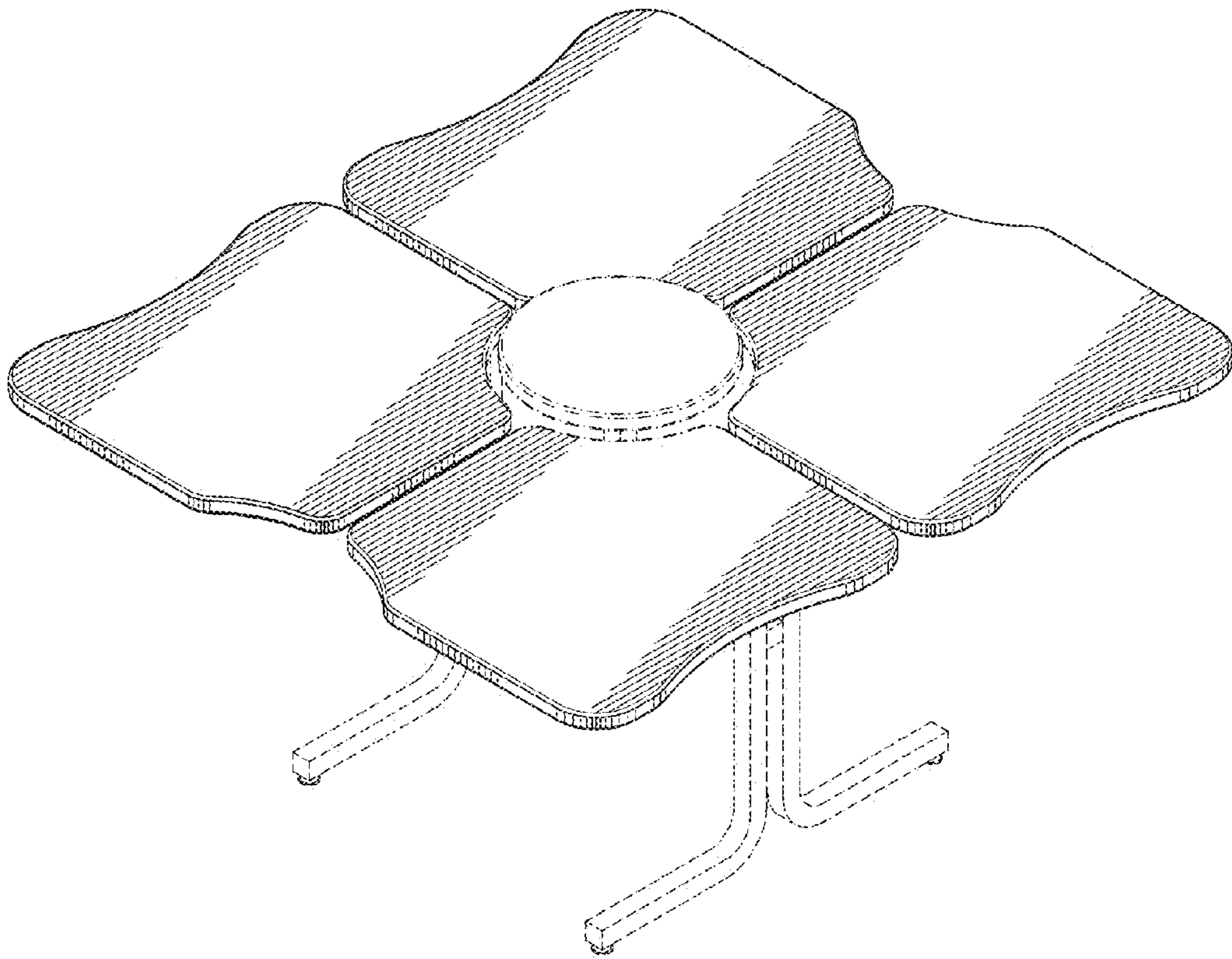
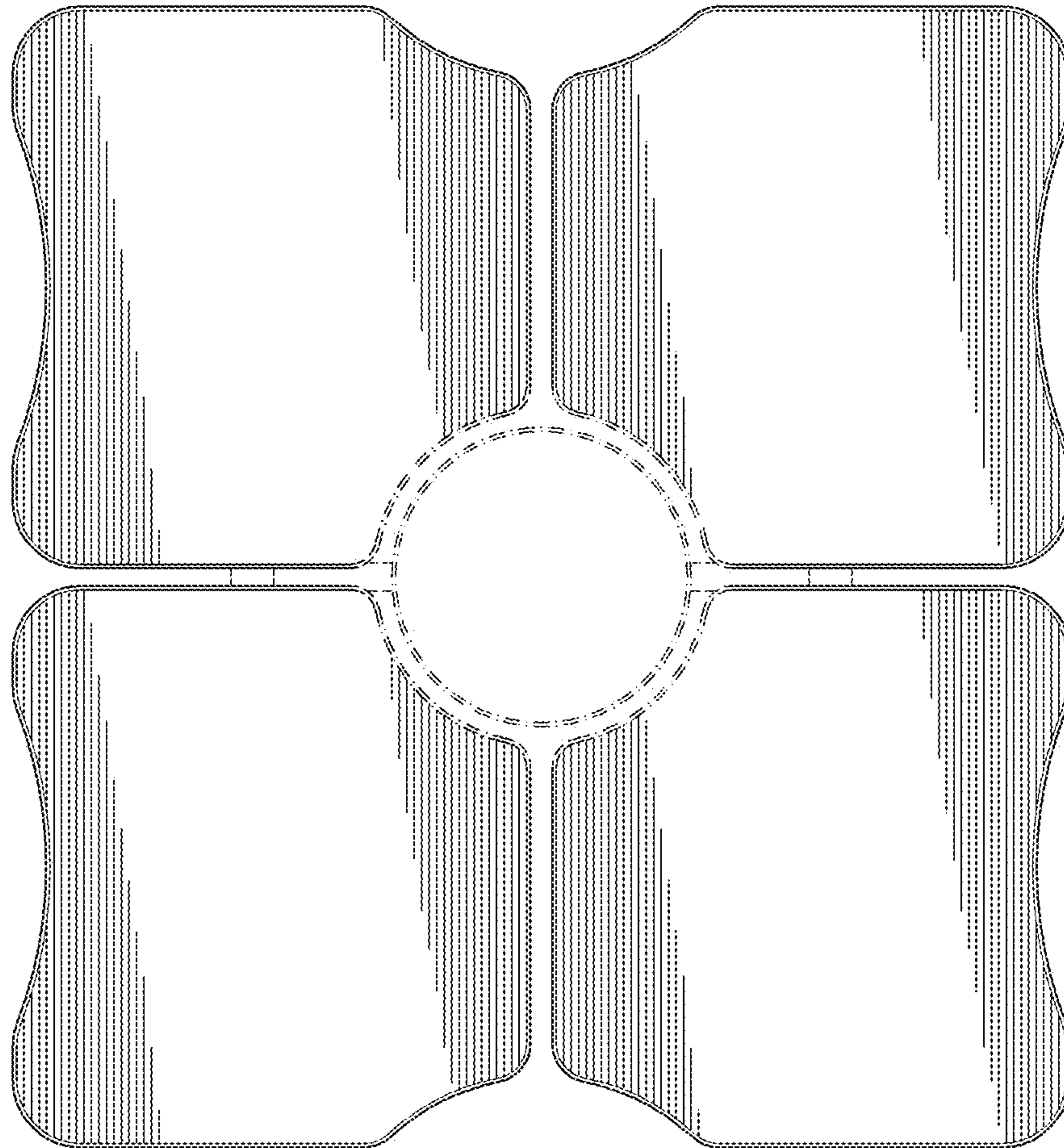


FIG. 1



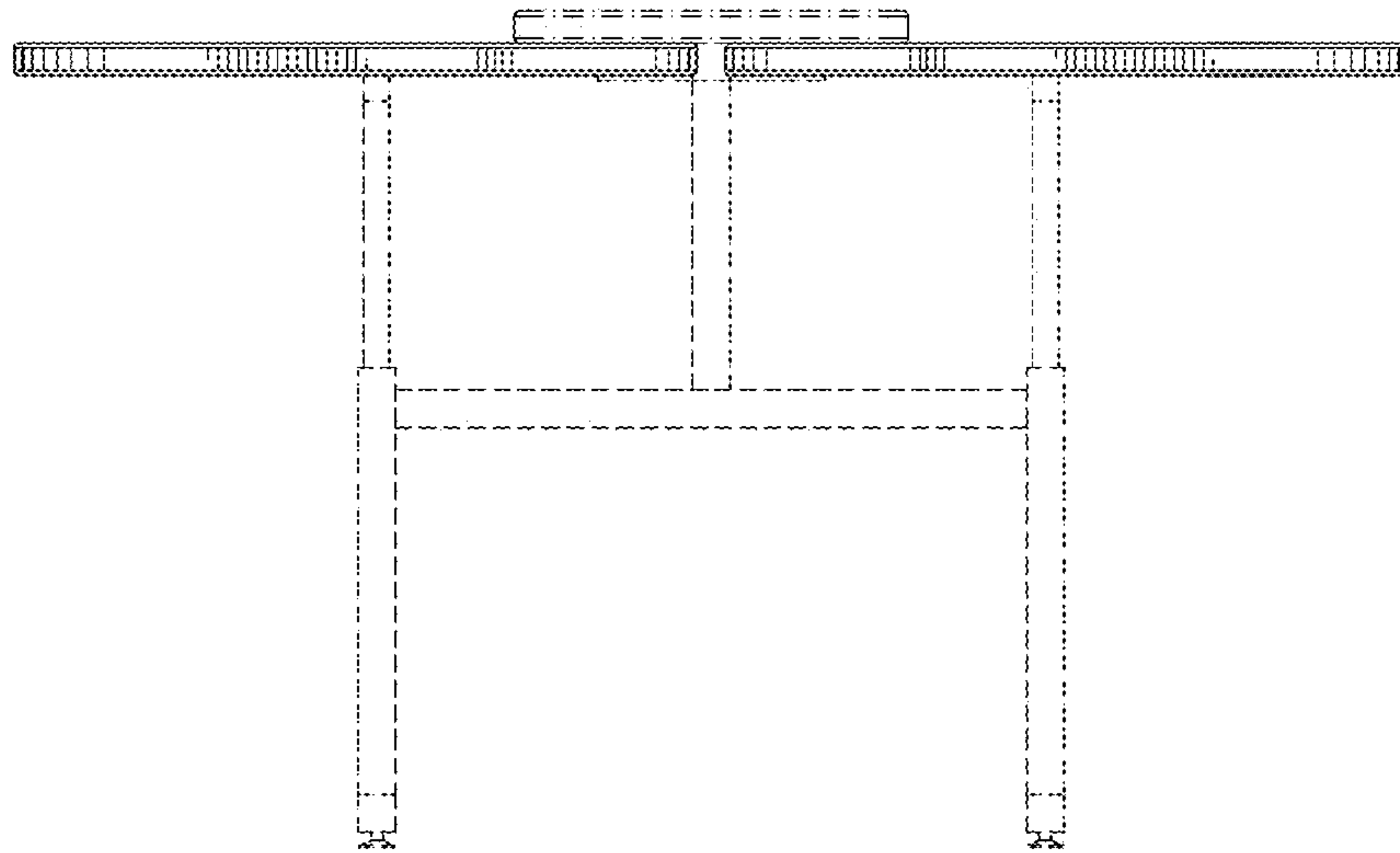


FIG. 3

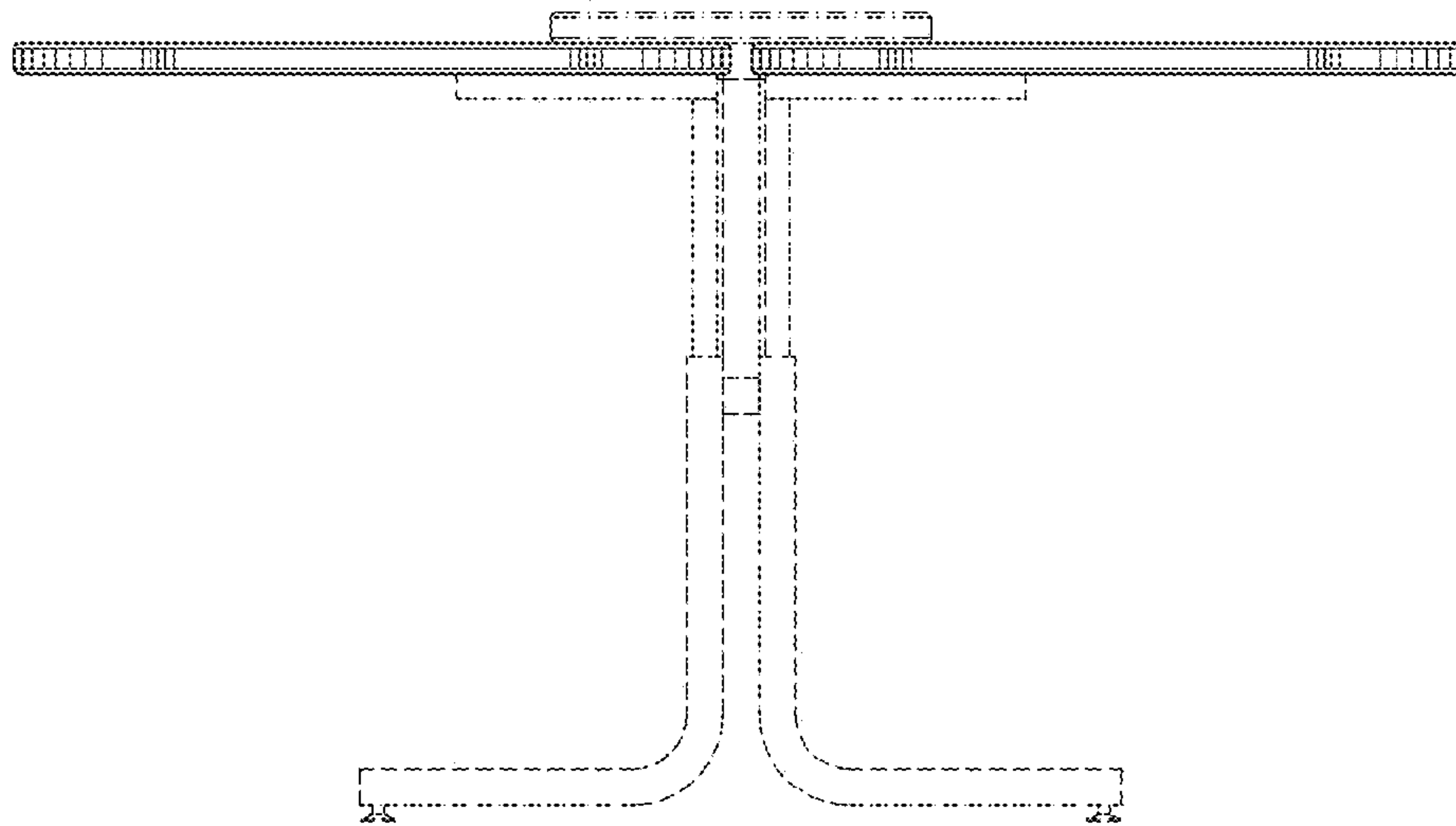


FIG. 4

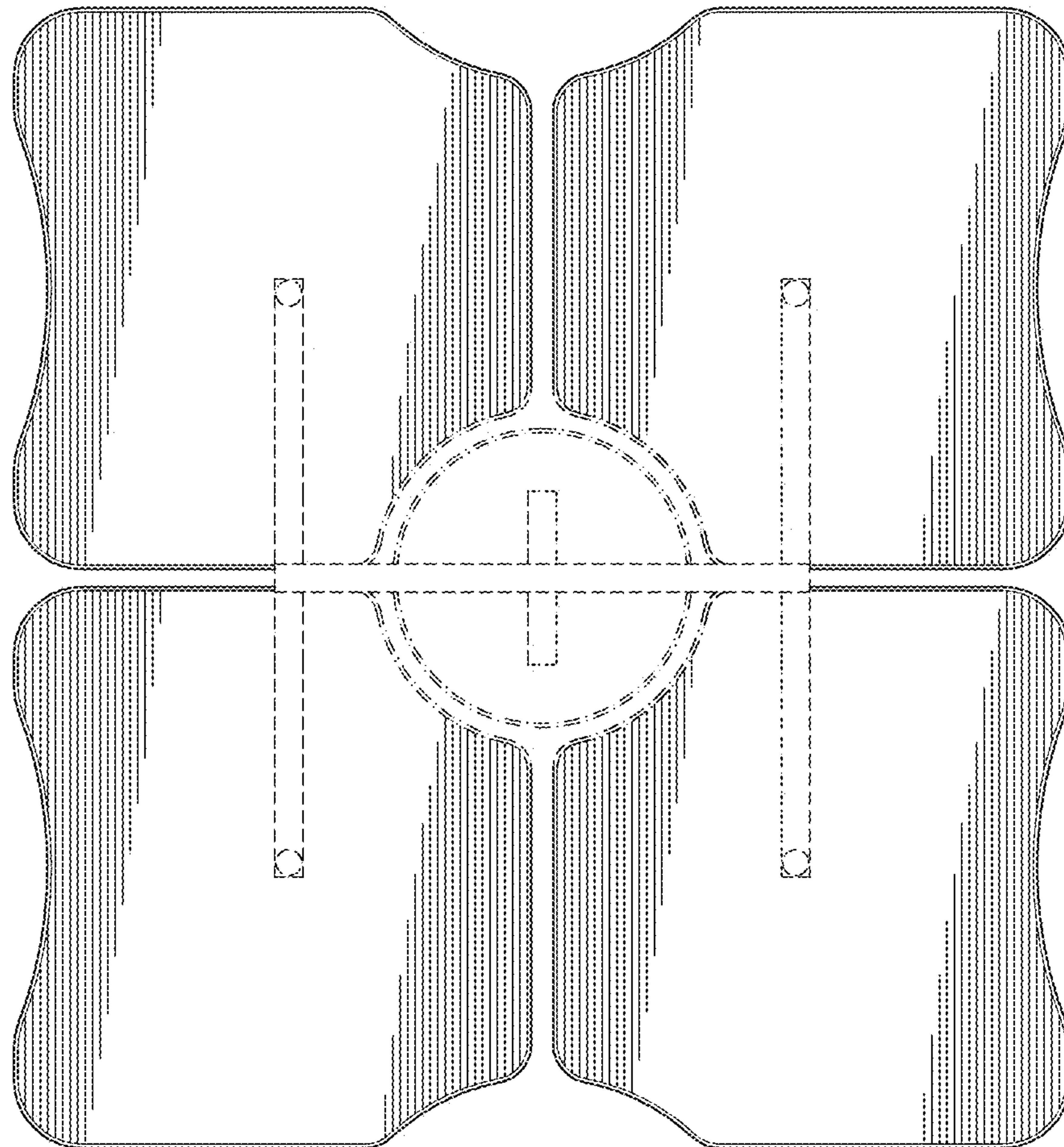


FIG. 5

