



US00D736020S

(12) **United States Design Patent**  
**Martell et al.**

(10) **Patent No.:** **US D736,020 S**

(45) **Date of Patent:** **\*\* Aug. 11, 2015**

(54) **DISPLAY APPARATUS**

(71) Applicant: **Target Brands, Inc.**, Minneapolis, MN (US)

(72) Inventors: **Timothy J. Martell**, Brooklyn Park, MN (US); **Robert D. Peota**, Minneapolis, MN (US); **Blake M. Johnson**, St. Paul, MN (US); **William Y. Stafford**, Minnetrista, MN (US); **Robert P. Stoltz**, Edina, MN (US)

(73) Assignee: **Target Brands, Inc.**, Minneapolis, MN (US)

(\*\*) Term: **14 Years**

(21) Appl. No.: **29/482,747**

(22) Filed: **Feb. 21, 2014**

(51) **LOC (10) Cl.** ..... **06-04**

(52) **U.S. Cl.**  
USPC ..... **D6/702**

(58) **Field of Classification Search**  
USPC ..... D6/657, 660-662, 662.1, 671, 671.1, D6/691.8; 312/7.2, 9.1, 114, 138.1, 204, 312/237, 257.1  
CPC ..... A47B 17/04; A47B 47/03; A47B 81/06; A47B 83/00; A47F 3/00; A47F 3/005; A47F 5/0807

See application file for complete search history.

(56) **References Cited**

**U.S. PATENT DOCUMENTS**

D56,556 S	*	11/1920	Gray	.....	D6/436
D477,474 S	*	7/2003	Milligan	.....	D6/446
D534,379 S	*	1/2007	Juneau	.....	D6/484
D553,879 S	*	10/2007	Juneau	.....	D6/436

D560,929 S	*	2/2008	Woodward et al.	.....	D6/446
D560,930 S	*	2/2008	Woodward et al.	.....	D6/446
D560,931 S	*	2/2008	Woodward et al.	.....	D6/446
D587,497 S	*	3/2009	Zambelli	.....	D6/477
D589,280 S	*	3/2009	Zambelli	.....	D6/477
D599,577 S	*	9/2009	Lara	.....	D6/436
D630,453 S	*	1/2011	Rafieha	.....	D6/436
D663,139 S	*	7/2012	Zambelli	.....	D6/470
D687,250 S	*	8/2013	Weatherly	.....	D6/661

**OTHER PUBLICATIONS**

Pending U.S. Appl. No. 14/186,277, filed Feb. 21, 2014, entitled Retail Fixture with Slot, 50 pages.

Office Action from Canadian Patent Application No. 155938, mailed Nov. 18, 2014 (6 pages).

\* cited by examiner

*Primary Examiner* — Ricky Pham

(74) *Attorney, Agent, or Firm* — Leanne Taveggia Farrell; Westman, Champlin & Koehler, P.A.

(57) **CLAIM**

The ornamental design for a display apparatus, as shown and described.

**DESCRIPTION**

FIG. 1 is a right perspective view of a display apparatus showing our new design;

FIG. 2 is a left perspective view thereof;

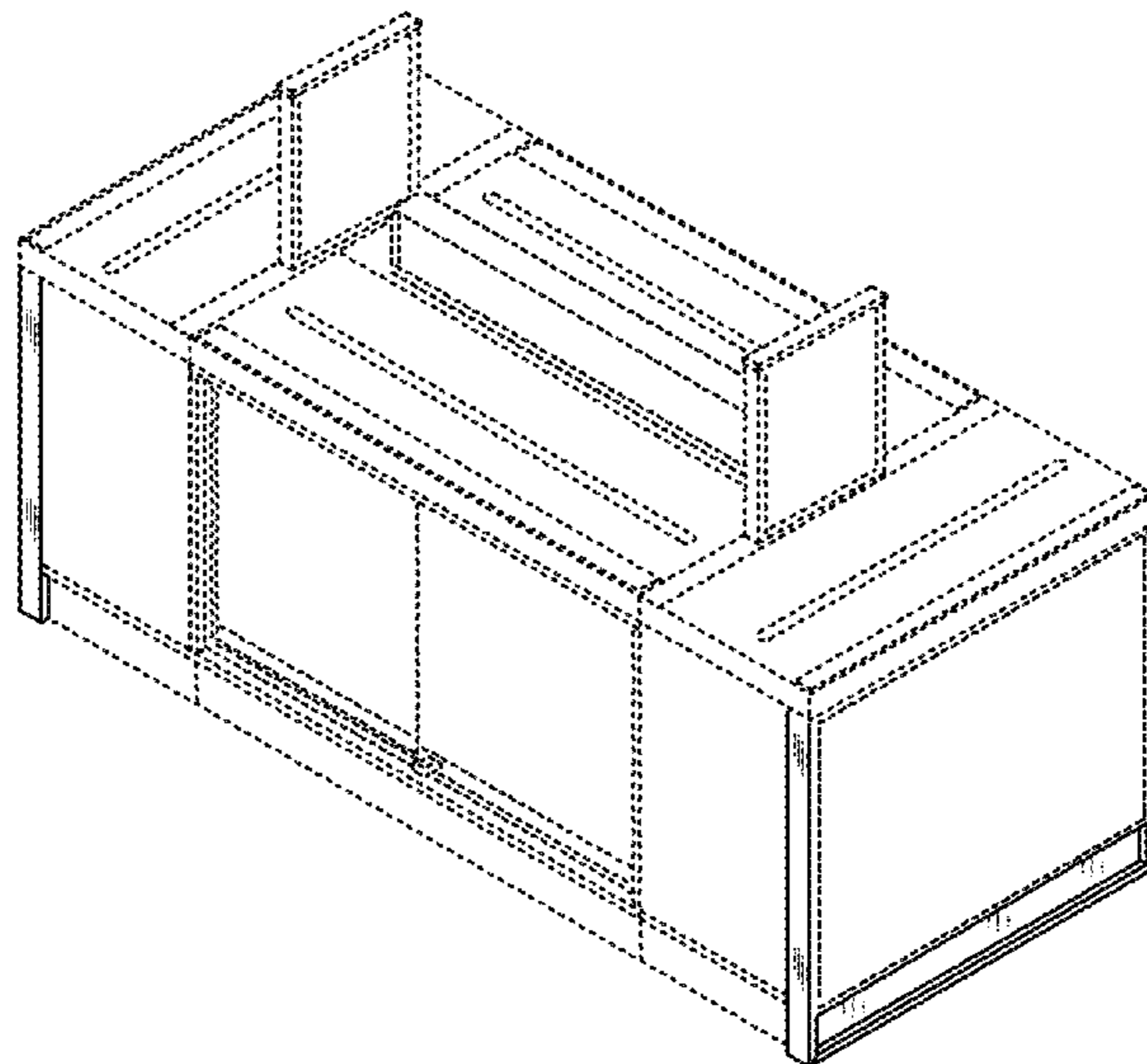
FIG. 3 is a top view thereof;

FIG. 4 is a front view thereof, the opposing back view being a mirror image; and,

FIG. 5 is a right side view thereof, the opposing left side view being a mirror image.

The broken lines shown in the drawings are included for purposes of illustrating portions of the display apparatus and form no part of the claimed design.

**1 Claim, 3 Drawing Sheets**



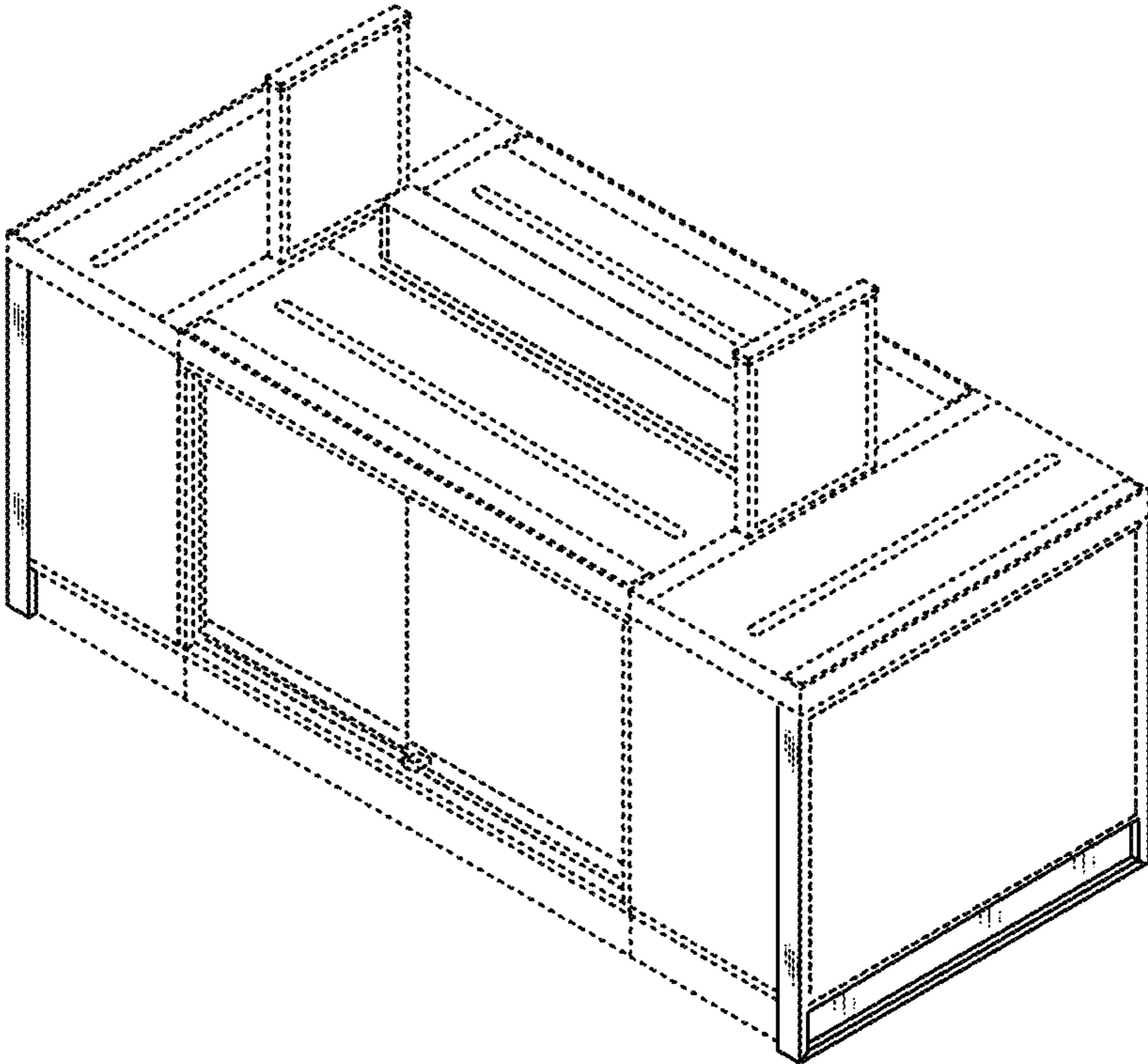


FIG. 1

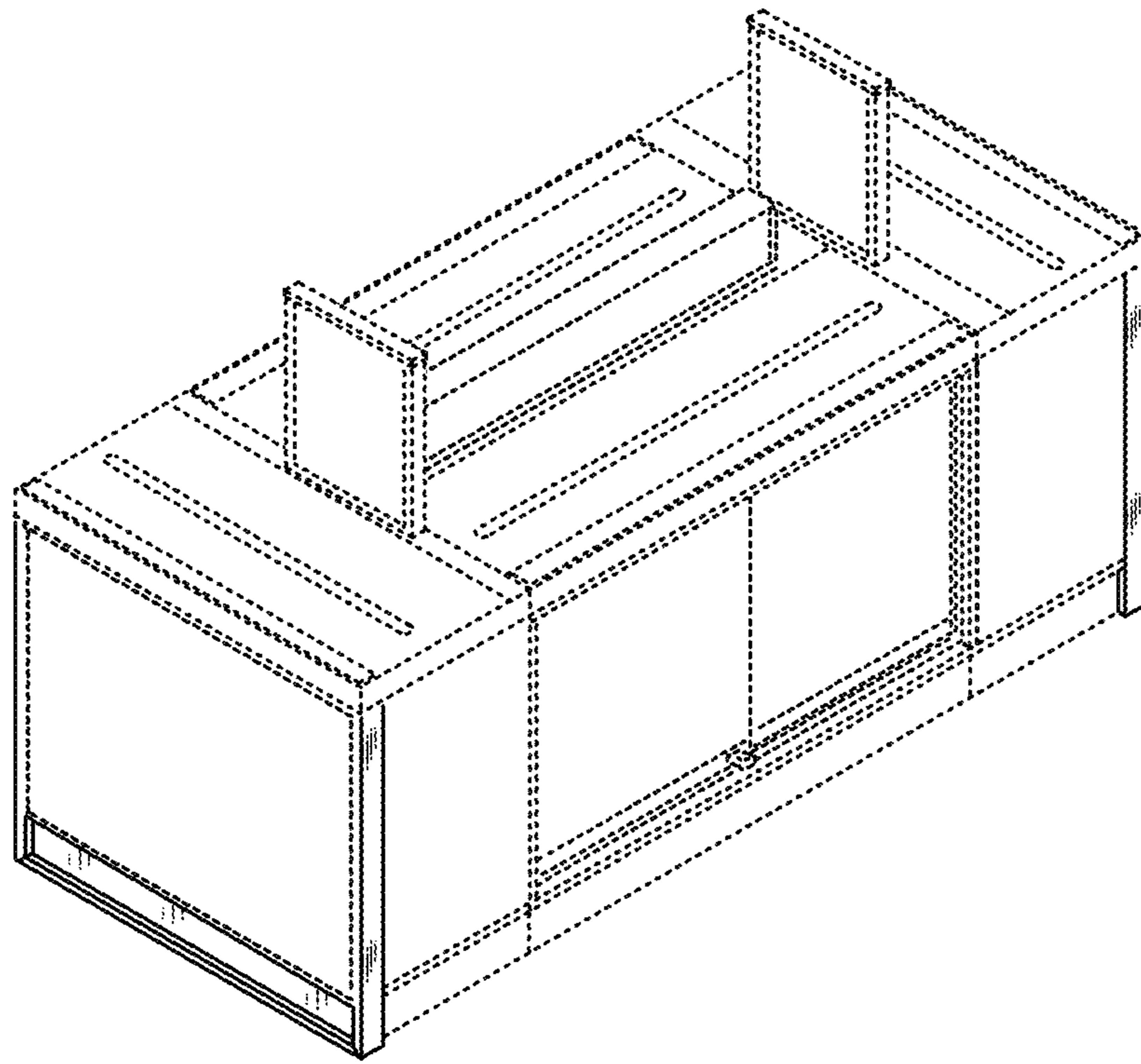


FIG. 2

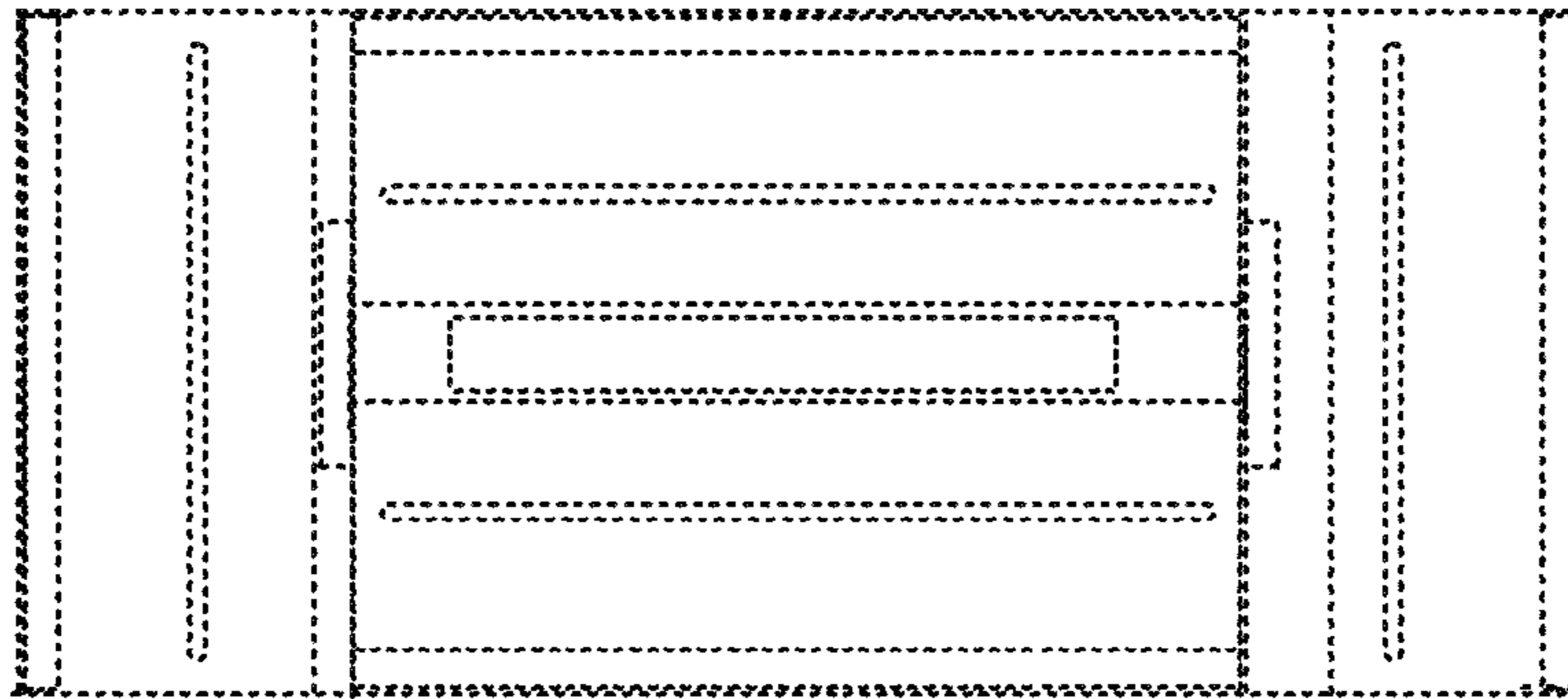


FIG. 3

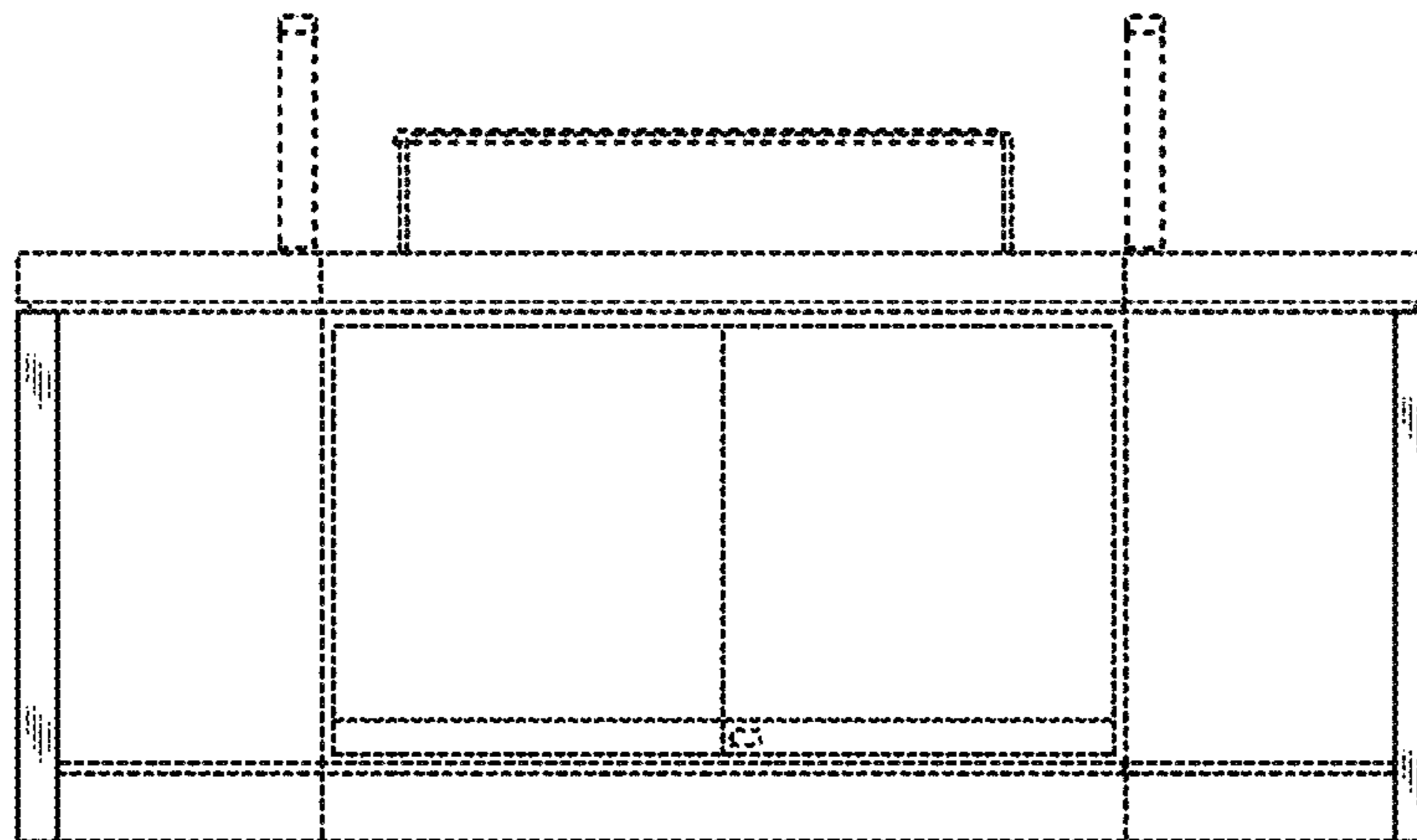


FIG. 4

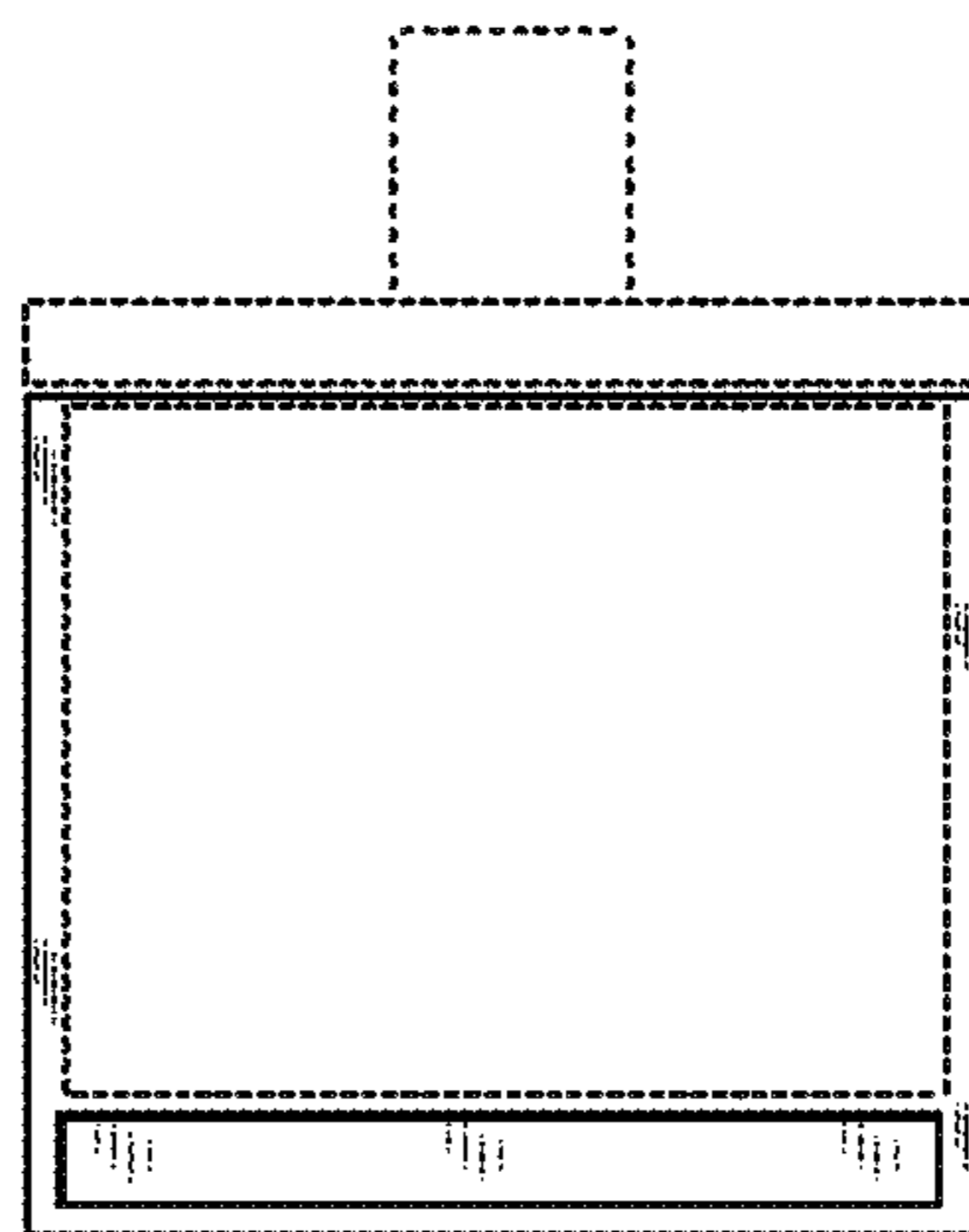


FIG. 5