

US00D736019S

(12) **United States Design Patent**  
**Elder**

(10) **Patent No.:** **US D736,019 S**

(45) **Date of Patent:** **\*\* Aug. 11, 2015**

(54) **TELLER STATION**

(71) Applicant: **E. Clay Elder**, Charlotte, NC (US)

(72) Inventor: **E. Clay Elder**, Charlotte, NC (US)

(\*\*) Term: **14 Years**

(21) Appl. No.: **29/479,268**

(22) Filed: **Jan. 14, 2014**

(51) **LOC (10) Cl.** ..... **06-03**

(52) **U.S. Cl.**

USPC ..... **D6/698**

(58) **Field of Classification Search**

USPC ..... D6/698, 699, 699.1, 699.2, 699.3, 657,  
D6/664, 686, 648; 312/140.1, 140.2, 116,  
312/117, 284, 286; D25/16; 52/36.1;  
186/37

See application file for complete search history.

(56) **References Cited**

U.S. PATENT DOCUMENTS

D129,258 S *	9/1941	James .....	D6/471
D263,771 S *	4/1982	Richins .....	D6/402
D287,198 S *	12/1986	Richins .....	D6/402
D463,034 S *	9/2002	Cohn .....	D25/16
D463,571 S *	9/2002	Cohn .....	D25/16

\* cited by examiner

*Primary Examiner* — Janice Seeger

(74) *Attorney, Agent, or Firm* — Schwartz Law Firm, P.C.

(57) **CLAIM**

I claim the ornamental design for a teller station, as shown and described.

**DESCRIPTION**

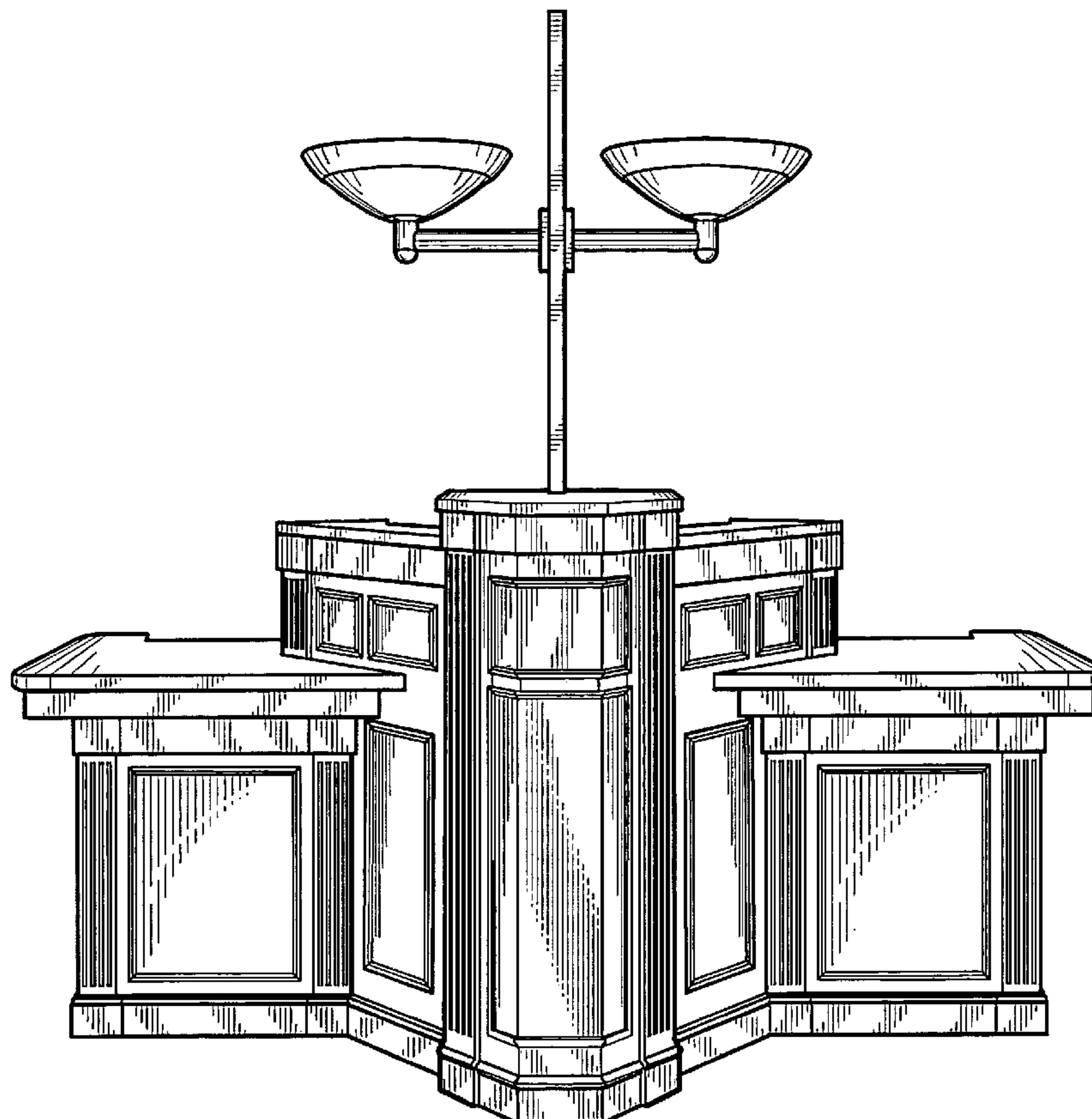
FIG. 1 is a perspective view of the teller station;

FIG. 2 is a front view of the teller station; and,

FIG. 3 is a top view of the teller station.

The broken lines shown in the drawings are for environmental purposes only and form no part of the claimed design. The rear and sides of the teller station, not shown, form no part of the claimed design.

**1 Claim, 3 Drawing Sheets**



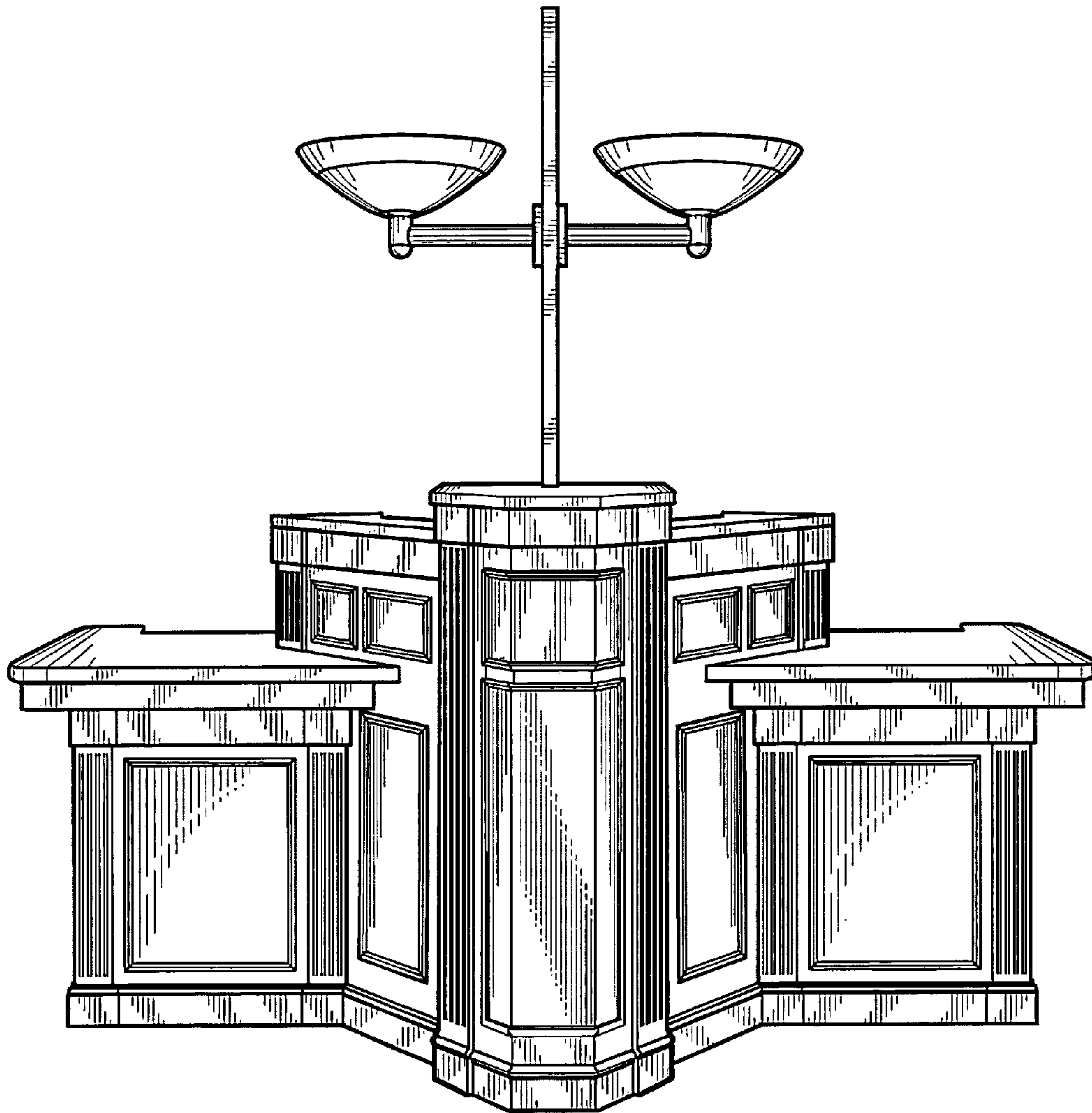


Fig. 1

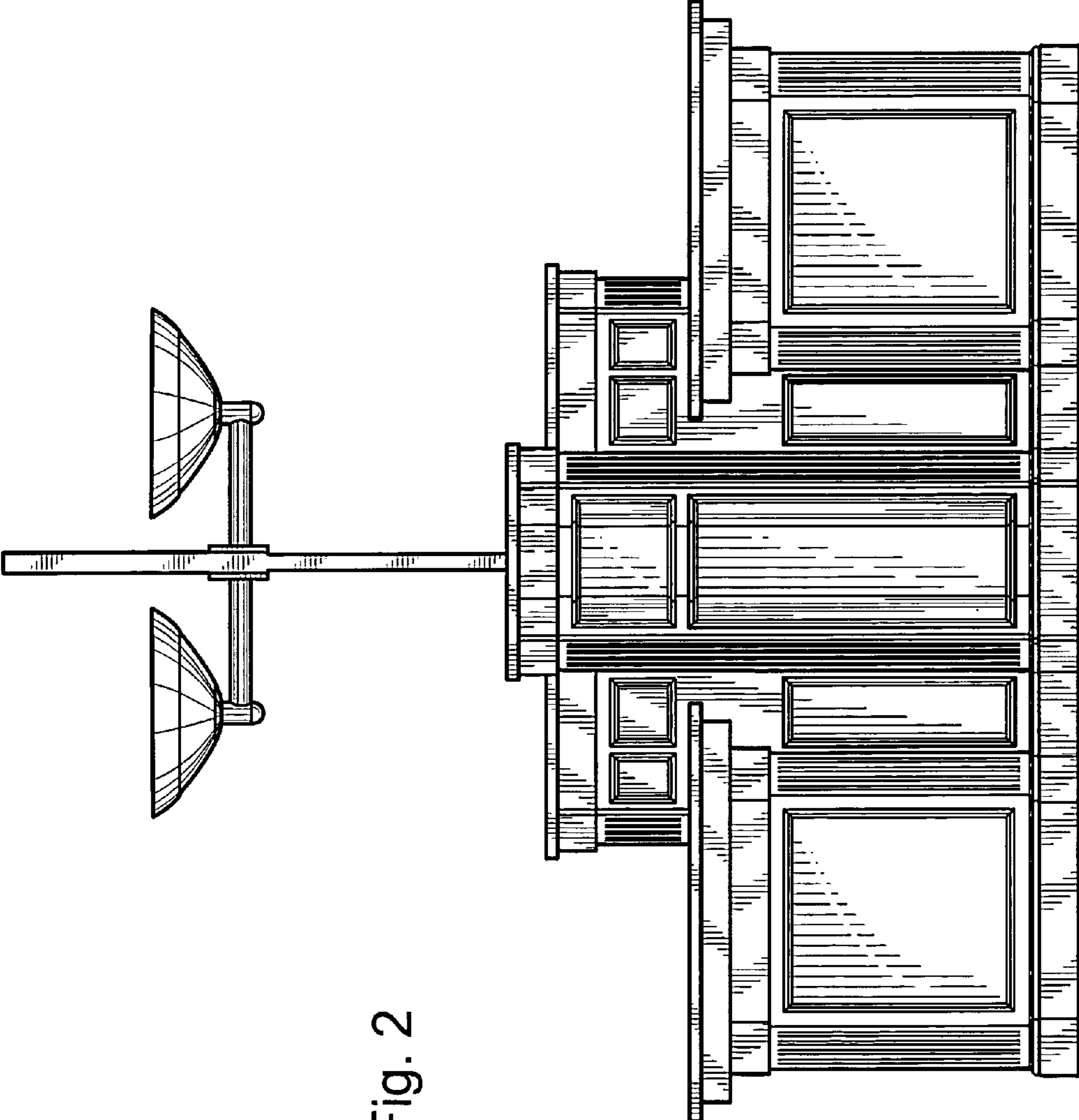


Fig. 2

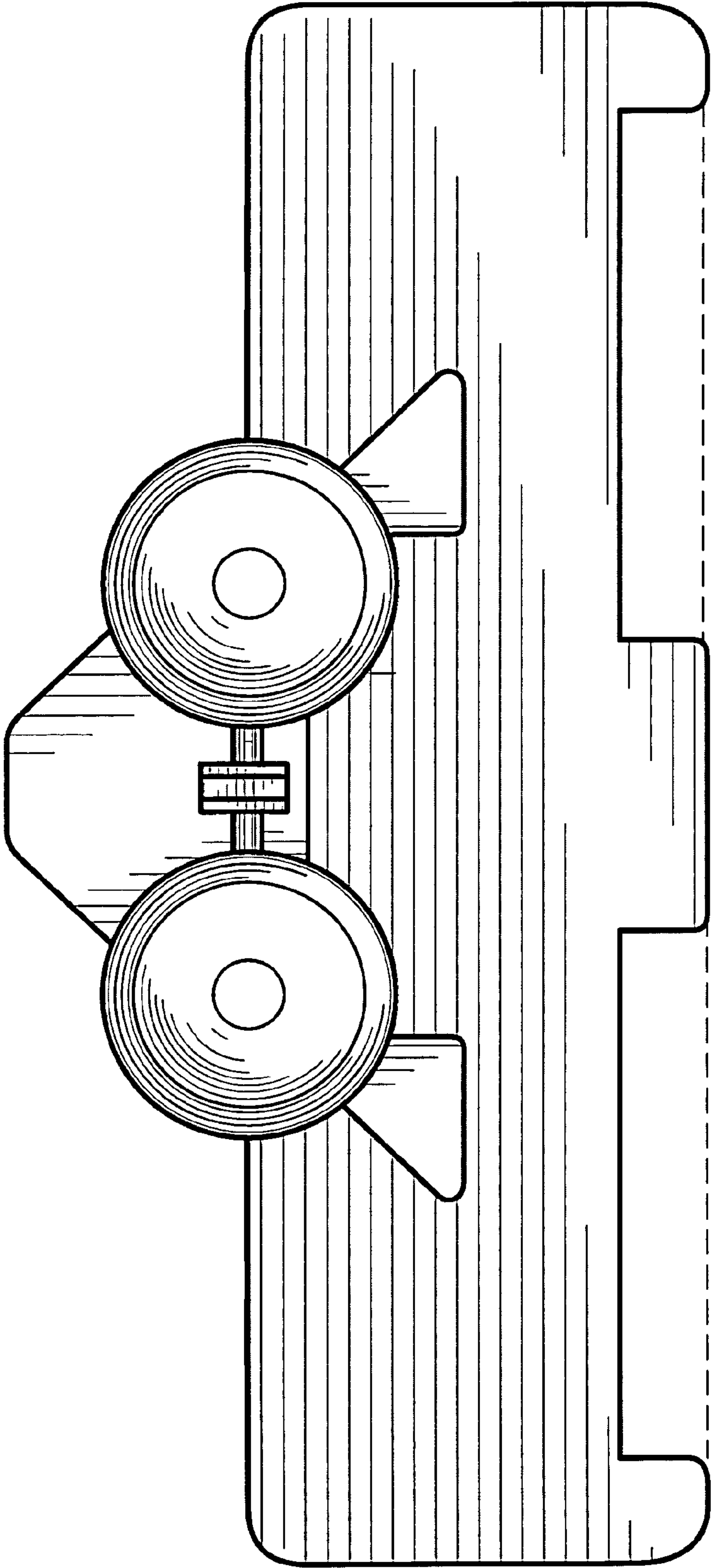


Fig. 3