



US00D736018S

(12) **United States Design Patent**
Elder

(10) **Patent No.:** **US D736,018 S**

(45) **Date of Patent:** **** Aug. 11, 2015**

(54) **TELLER STATION**

(71) Applicant: **E. Clay Elder**, Charlotte, NC (US)

(72) Inventor: **E. Clay Elder**, Charlotte, NC (US)

(**) Term: **14 Years**

(21) Appl. No.: **29/479,266**

(22) Filed: **Jan. 14, 2014**

(51) **LOC (10) Cl.** **06-03**

(52) **U.S. Cl.**
USPC **D6/698**

(58) **Field of Classification Search**
USPC D6/698, 699, 699.1, 699.2, 699.3, 657,
D6/664, 686, 648; 312/140.1, 140.2, 116,
312/117, 284, 286; D25/16; 52/36.1;
186/37

See application file for complete search history.

(56) **References Cited**

U.S. PATENT DOCUMENTS

D129,258 S * 9/1941 James D6/471

D263,771 S * 4/1982 Richins D6/402
D287,198 S * 12/1986 Richins D6/402
D463,034 S * 9/2002 Cohn D25/16
D463,571 S * 9/2002 Cohn D25/16

* cited by examiner

Primary Examiner — Janice Seeger

(74) *Attorney, Agent, or Firm* — Schwartz Law Firm, P.C.

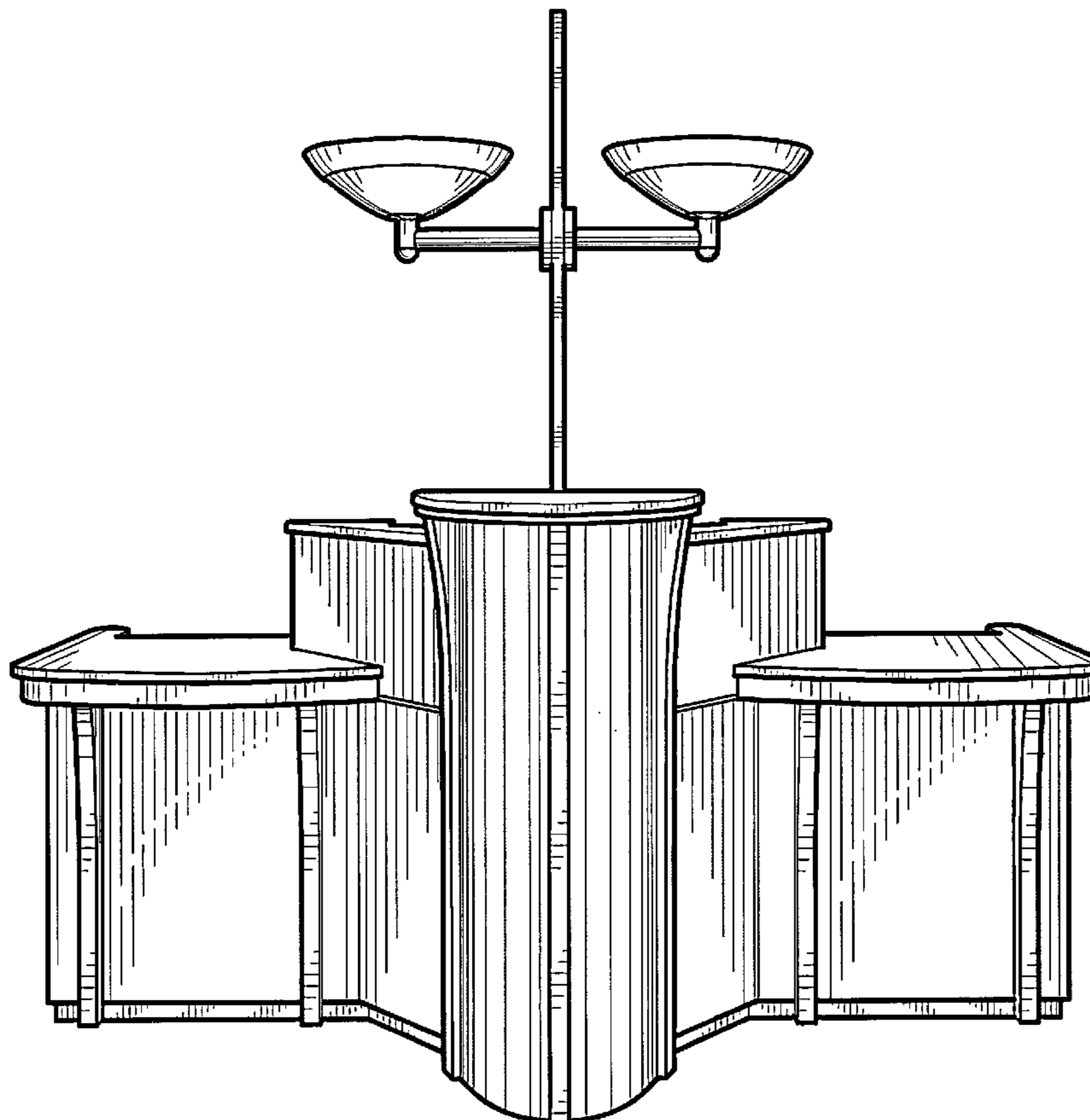
(57) **CLAIM**

I claim the ornamental design for a teller station, as shown and described.

DESCRIPTION

FIG. 1 is a perspective view of the teller station;
FIG. 2 is a front view of the teller station; and,
FIG. 3 is a top view of the teller station.
The broken lines shown in the drawings are for environmental purposes only and form no part of the claimed design. The rear and sides of the teller station, not shown, form no part of the claimed design.

1 Claim, 3 Drawing Sheets



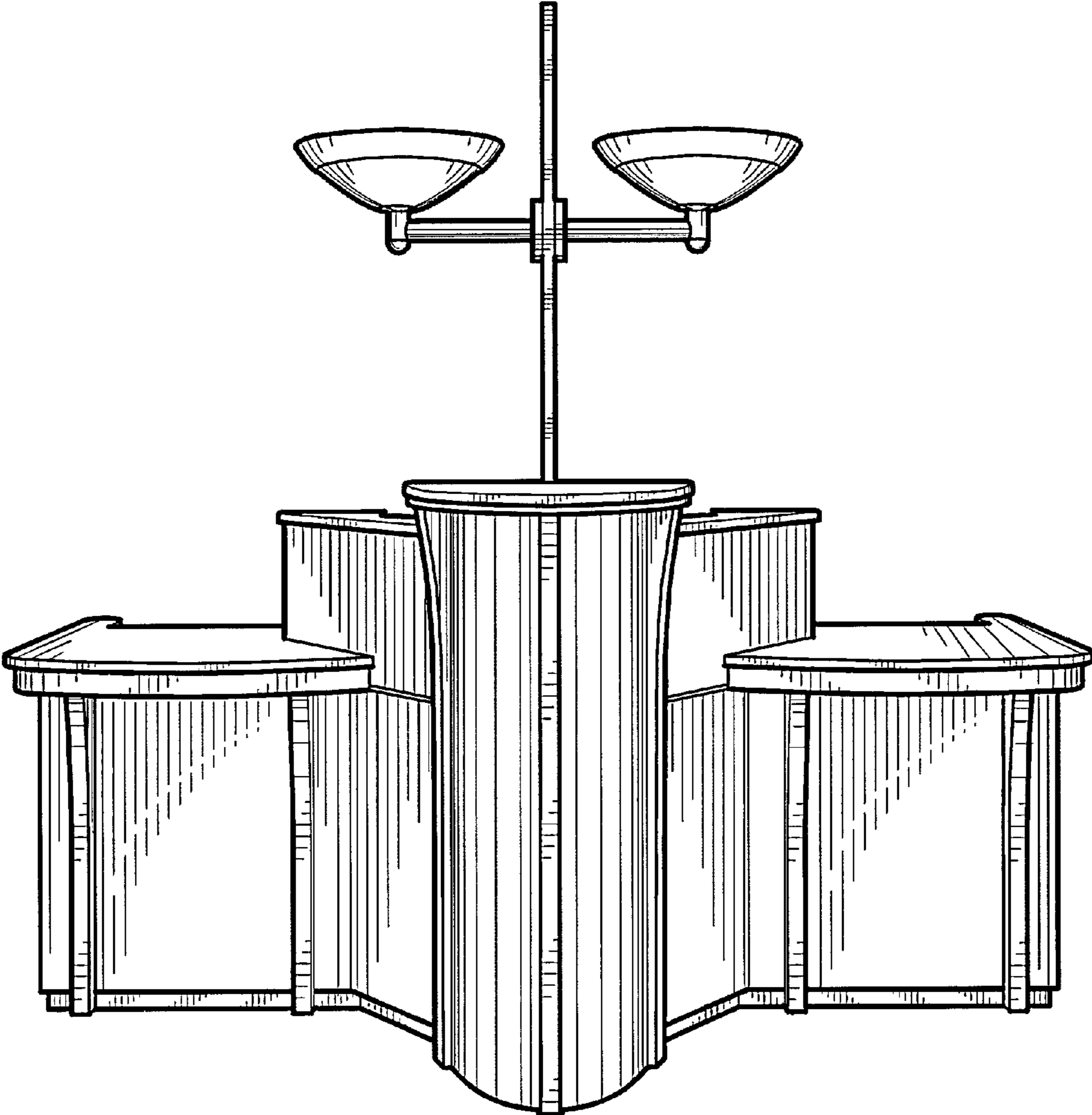
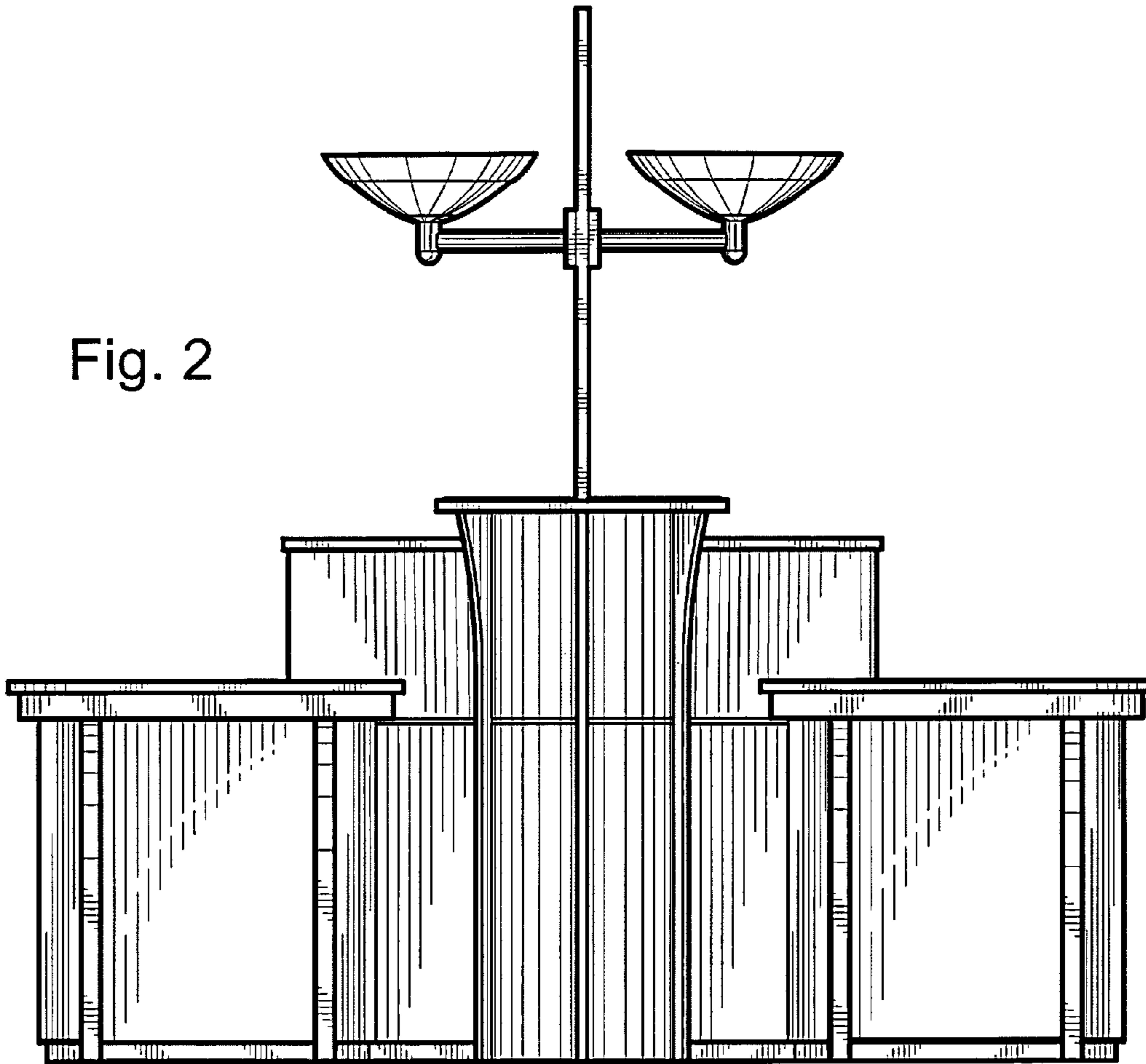


Fig. 1

Fig. 2



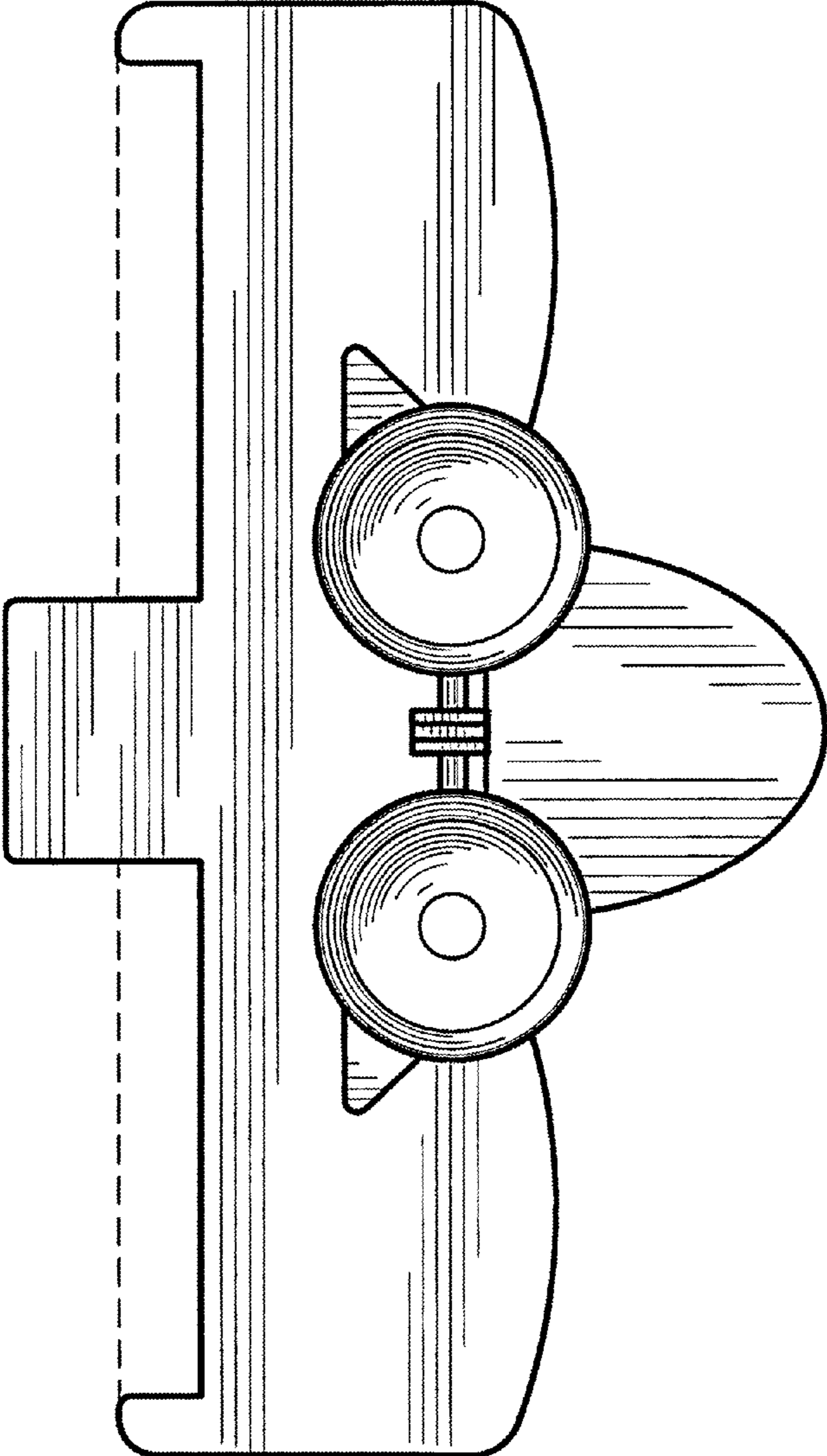


Fig. 3