



US00D736017S

(12) **United States Design Patent**
Rose

(10) **Patent No.:** **US D736,017 S**

(45) **Date of Patent:** **** Aug. 11, 2015**

(54) **TABLE COMBINING INFINITY MIRROR SURFACE AND CURVED UNI-BODIED LEGS**

(71) Applicant: **Randon Michael Rose**, Cincinnati, OH (US)

(72) Inventor: **Randon Michael Rose**, Cincinnati, OH (US)

(**) Term: **14 Years**

(21) Appl. No.: **29/488,316**

(22) Filed: **Apr. 17, 2014**

(51) **LOC (10) Cl.** **06-03**

(52) **U.S. Cl.**
USPC **D6/686; D6/691.8**

(58) **Field of Classification Search**
USPC D6/691, 691.1, 691.3, 691.5, 691.8, D6/691.9, 686; D26/58
CPC A47B 7/00; A47B 13/00; A47B 13/02; A47B 13/04; A47B 13/06; A47B 2200/11; A47B 91/00; A47B 91/005; A47B 13/08; A47B 13/088; A47B 2200/001; A47B 13/12

See application file for complete search history.

(56) **References Cited**

U.S. PATENT DOCUMENTS

3,855,948 A *	12/1974	Salleroli	108/161
D252,902 S *	9/1979	Ungaro	D6/691.8
D374,575 S *	10/1996	Reese	D6/685
D655,951 S *	3/2012	McCurry	D6/708
D669,695 S *	10/2012	McCurry	D6/349

* cited by examiner

Primary Examiner — Janice Seeger

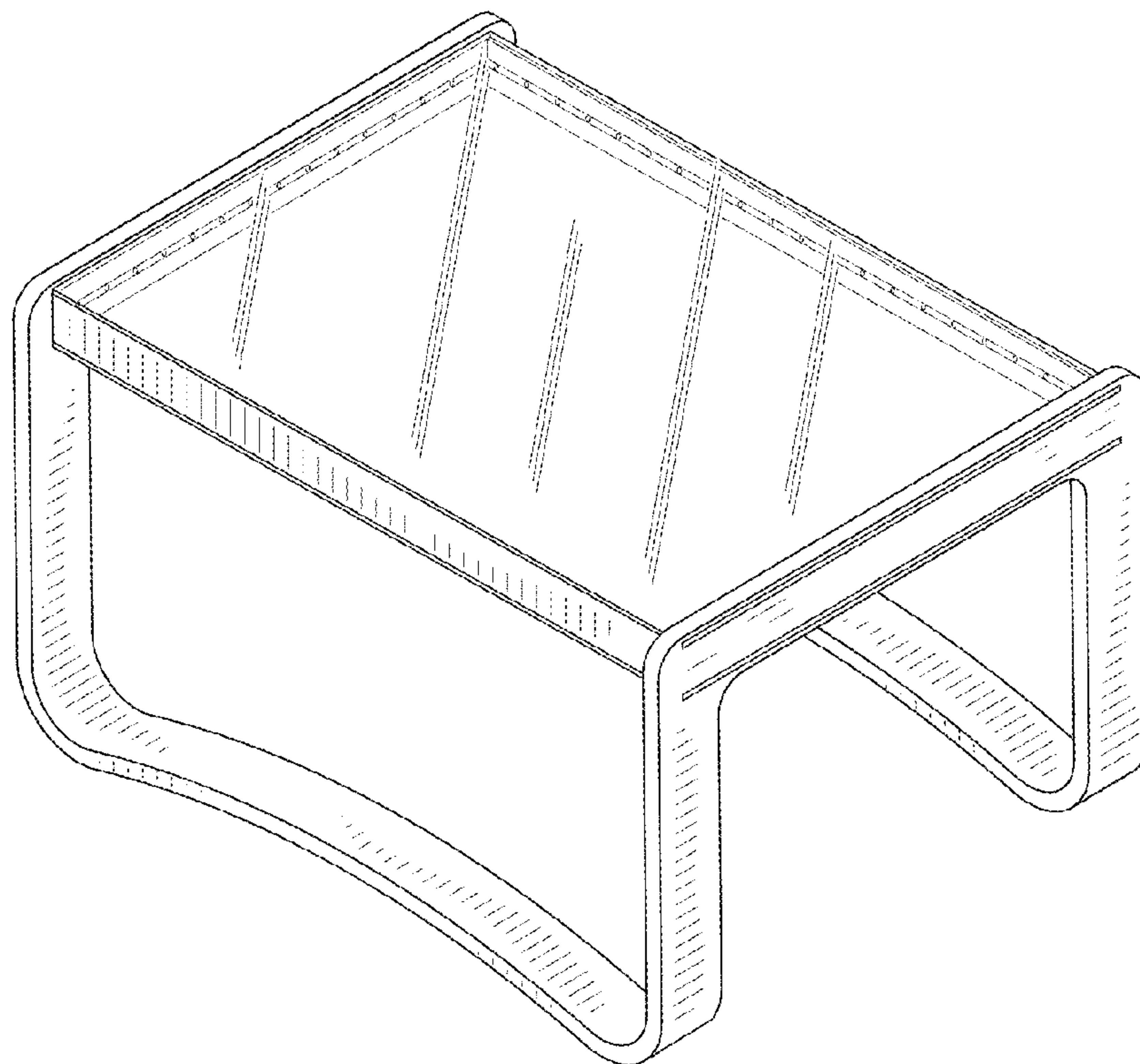
(57) **CLAIM**

The ornamental design for a table combining infinity mirror surface and curved uni-bodied legs, as shown and described.

DESCRIPTION

FIG. 1 is a perspective top front view of a table combining infinity mirror surface and curved uni-bodied legs;
FIG. 2 is a front elevation view of the table combining infinity mirror surface and curved uni-bodied legs, the rear elevation view being a mirror image thereof;
FIG. 3 is a left elevation view of the table combining infinity mirror surface and curved uni-bodied legs, the right elevation view being a mirror image thereof;
FIG. 4 is a top elevation view of the table combining infinity mirror surface and curved uni-bodied legs; and,
FIG. 5 is a bottom elevation view of the table combining infinity mirror surface and curved uni-bodied legs.
The oblique line shading in FIGS. 1 and 4 illustrates the infinity mirror arrangement.

1 Claim, 3 Drawing Sheets



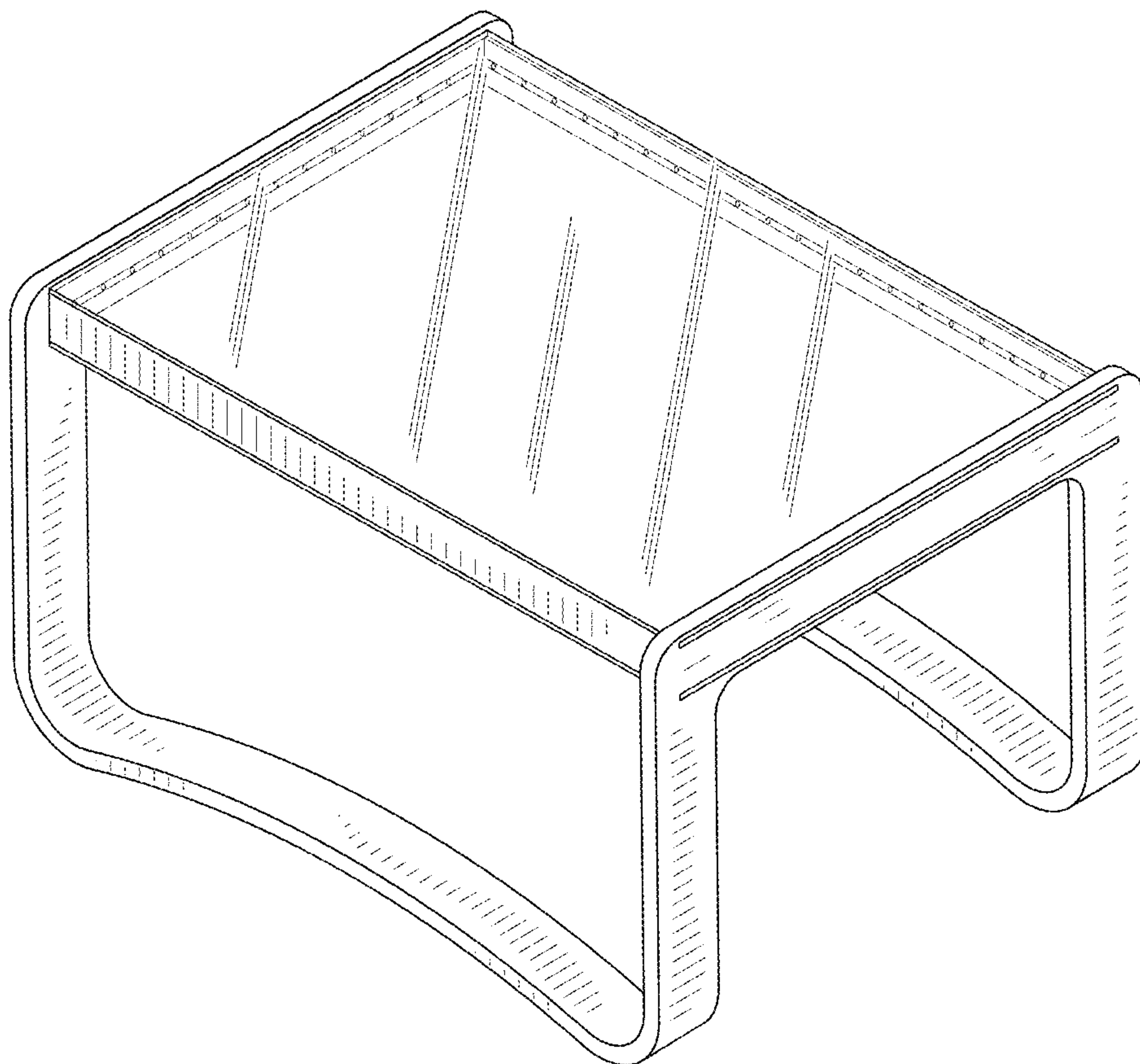


FIG. 1

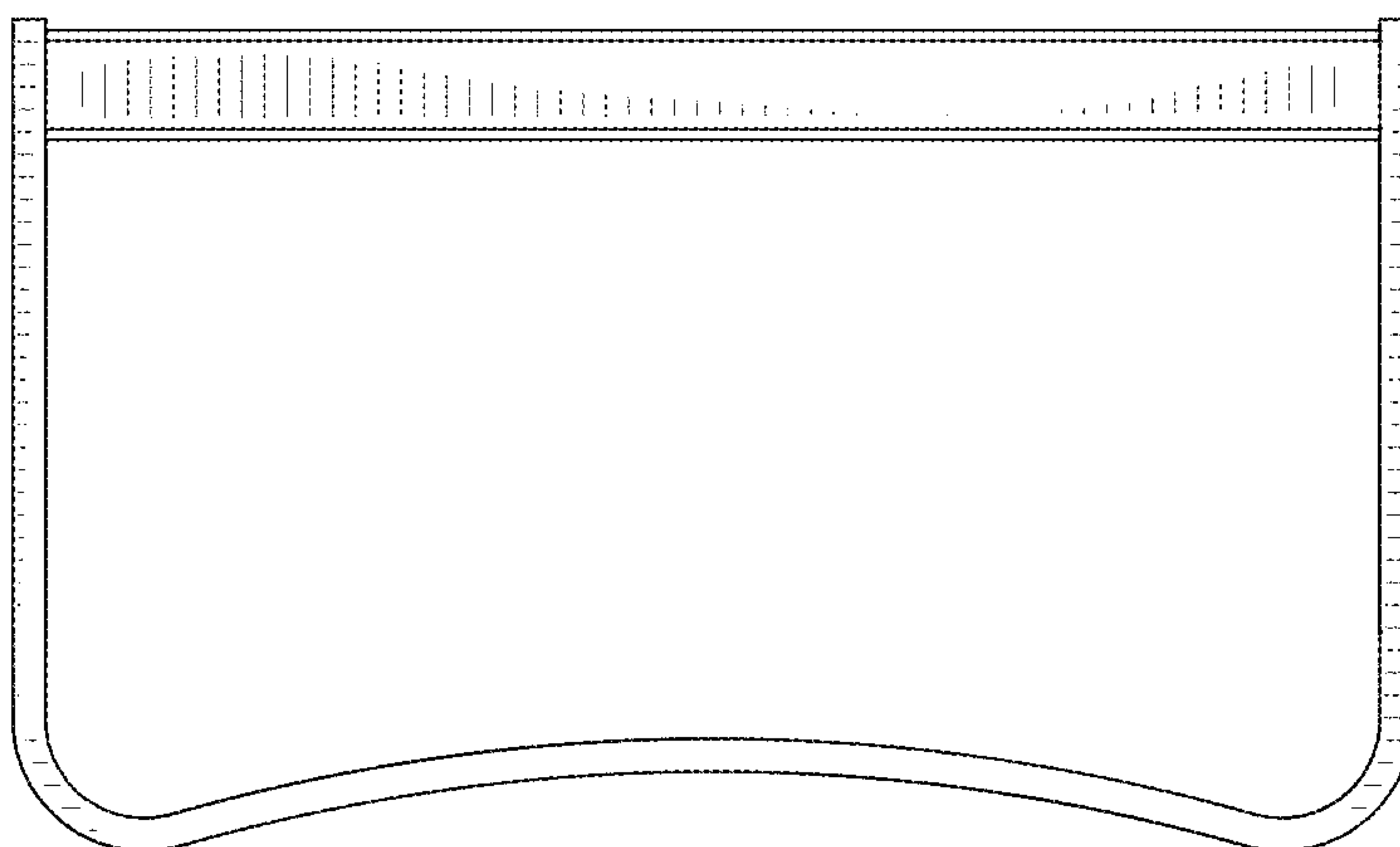


FIG. 2

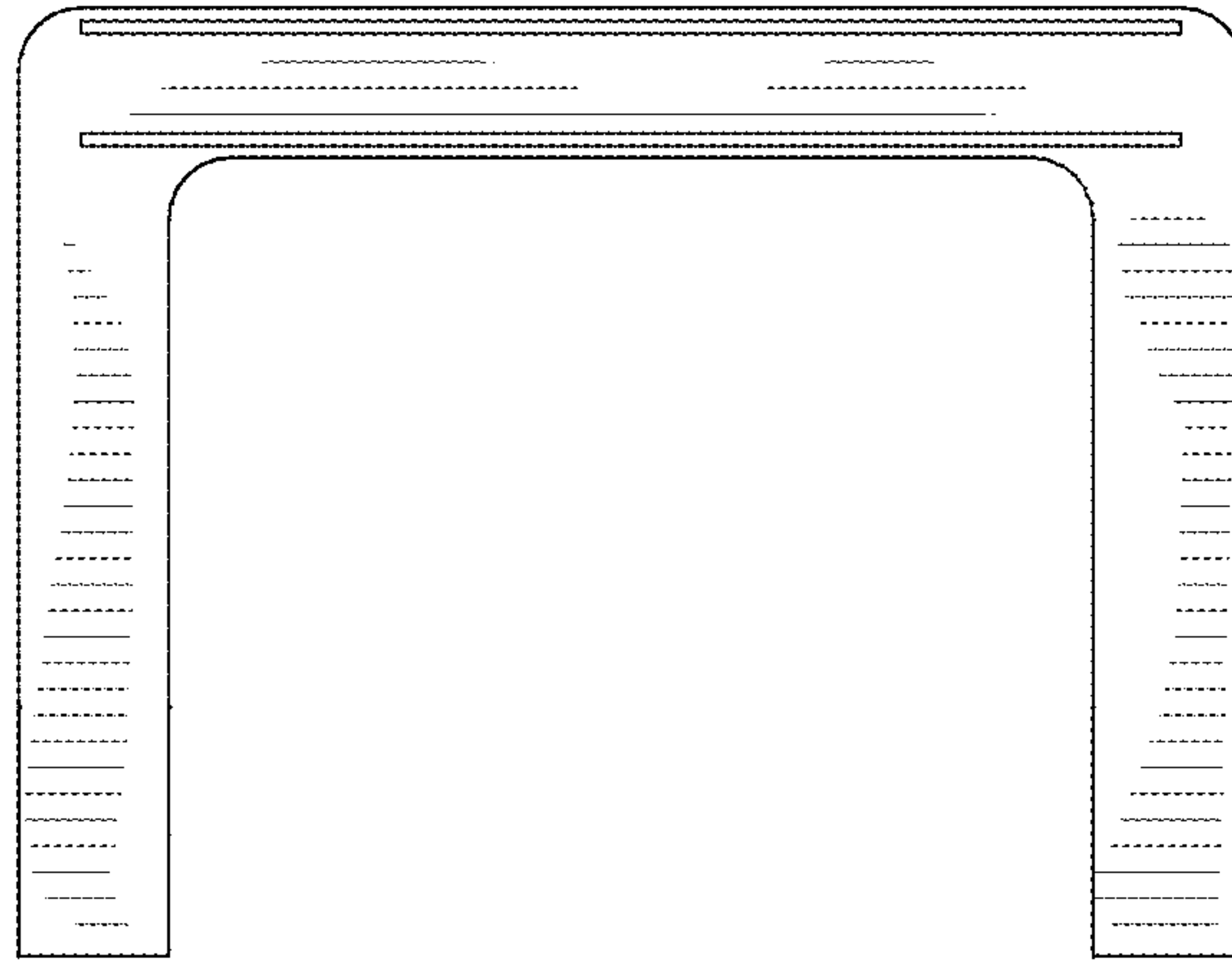


FIG. 3

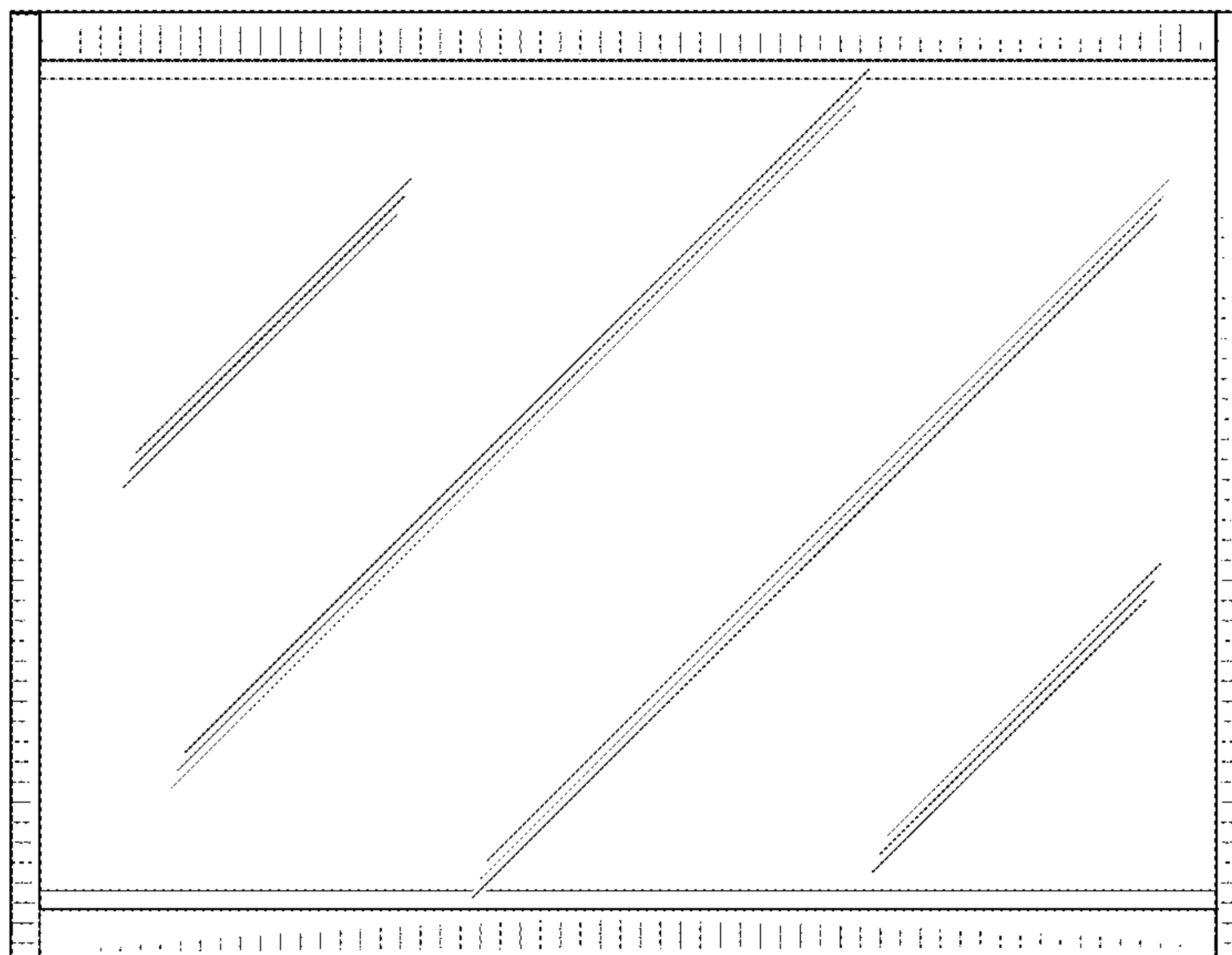


FIG. 4

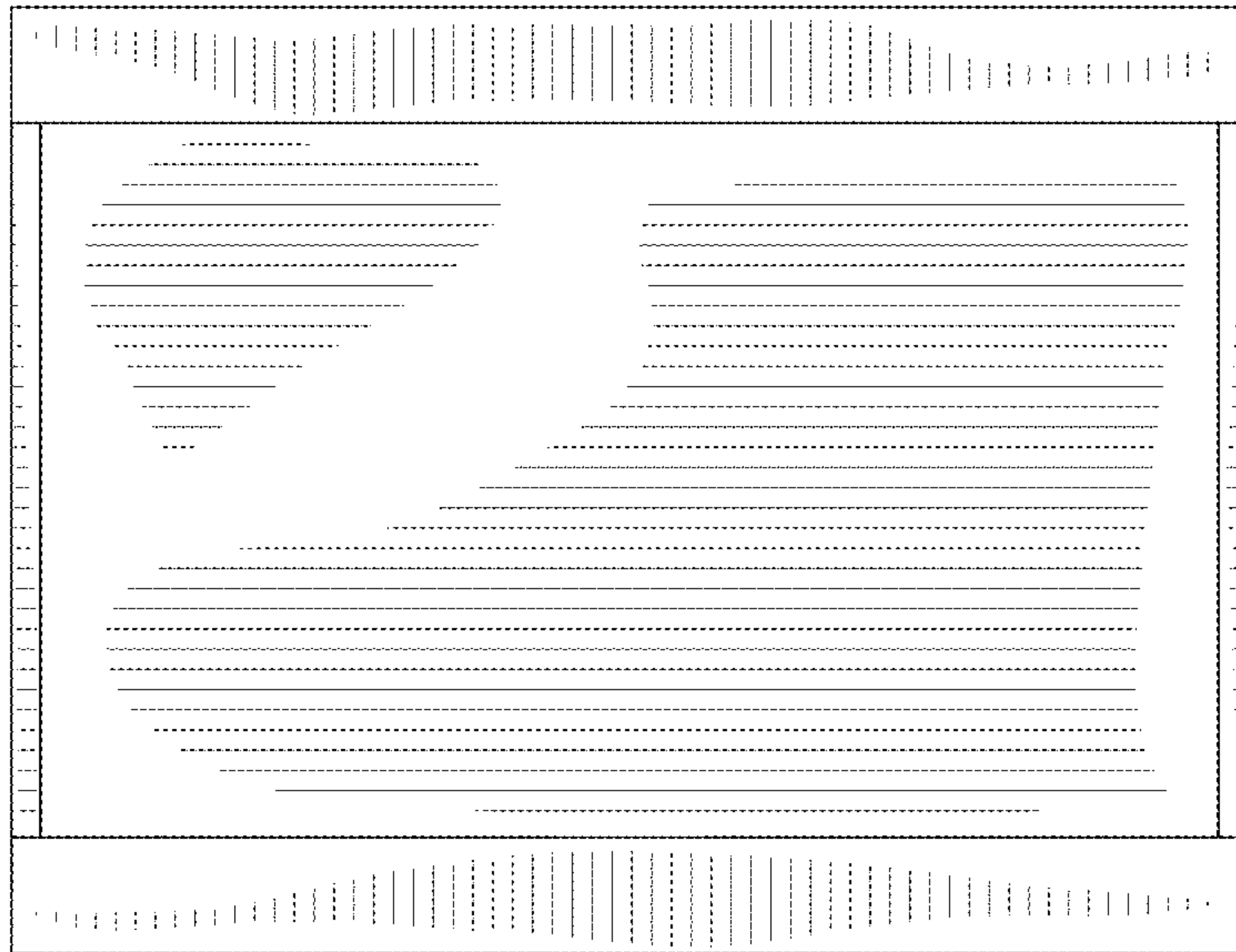


FIG. 5