



US00D736016S

(12) **United States Design Patent**
Gelissen

(10) **Patent No.:** **US D736,016 S**

(45) **Date of Patent:** **** Aug. 11, 2015**

(54) **INSTRUMENT COLUMN**

(71) Applicant: **Topcon Europe Medical B.V.**, Capelle
Aan Den IJssel (NL)

(72) Inventor: **Petrus Jacobus Wilhelmus Gelissen**,
Capelle Aan Den IJssel (NL)

(73) Assignee: **Topcon Europe Medical B.V.**, LJ
Capelle aan den IJssel (NL)

(**) Term: **14 Years**

(21) Appl. No.: **29/499,167**

(22) Filed: **Aug. 12, 2014**

(30) **Foreign Application Priority Data**

Feb. 12, 2014 (EM) 002403501-0002

(51) **LOC (10) CL.** **06-06**

(52) **U.S. CL.**
USPC **D6/682**

(58) **Field of Classification Search**
USPC D6/462, 464-465, 477, 479, 491-495,
D6/499, 509, 512, 553, 672, 682, 712;
D25/119, 122, 126, 133; 248/156, 370;
108/153, 156, 157-158
See application file for complete search history.

(56) **References Cited**

U.S. PATENT DOCUMENTS

- D160,048 S * 9/1950 Wise et al. D14/463
- D281,453 S * 11/1985 DiGianfilippo et al. D24/128
- D310,570 S * 9/1990 Wells D24/128
- D310,887 S * 9/1990 Paris D26/68
- 5,126,928 A * 6/1992 Hughes 362/287
- D354,350 S * 1/1995 Pryor et al. D24/128
- D372,320 S * 7/1996 Brady D26/68
- 5,655,741 A * 8/1997 Watkins 248/289.11
- D383,867 S * 9/1997 Shalvi D26/68

- D398,412 S * 9/1998 Metcheur, III D26/68
- 5,906,284 A * 5/1999 Hammerstrom et al. 211/205
- D444,899 S * 7/2001 Bossy D26/68
- 6,298,794 B1 * 10/2001 Brown et al. 108/50.01
- D473,846 S * 4/2003 Hellwig et al. D13/139.5
- D495,445 S * 8/2004 Cooper et al. D26/67
- D542,395 S * 5/2007 Bosio D23/304
- D555,944 S * 11/2007 Quintal D6/495
- D561,569 S * 2/2008 Wohlford et al. D8/363
- D597,217 S * 7/2009 Wounder D24/224
- D648,447 S * 11/2011 Sims D25/126
- D682,581 S * 5/2013 Kikkert et al. D6/672
- D695,937 S * 12/2013 Duquette et al. D26/68

* cited by examiner

Primary Examiner — Kelley Donnelly

(74) *Attorney, Agent, or Firm* — Abelman, Frayne & Schwab

(57) **CLAIM**

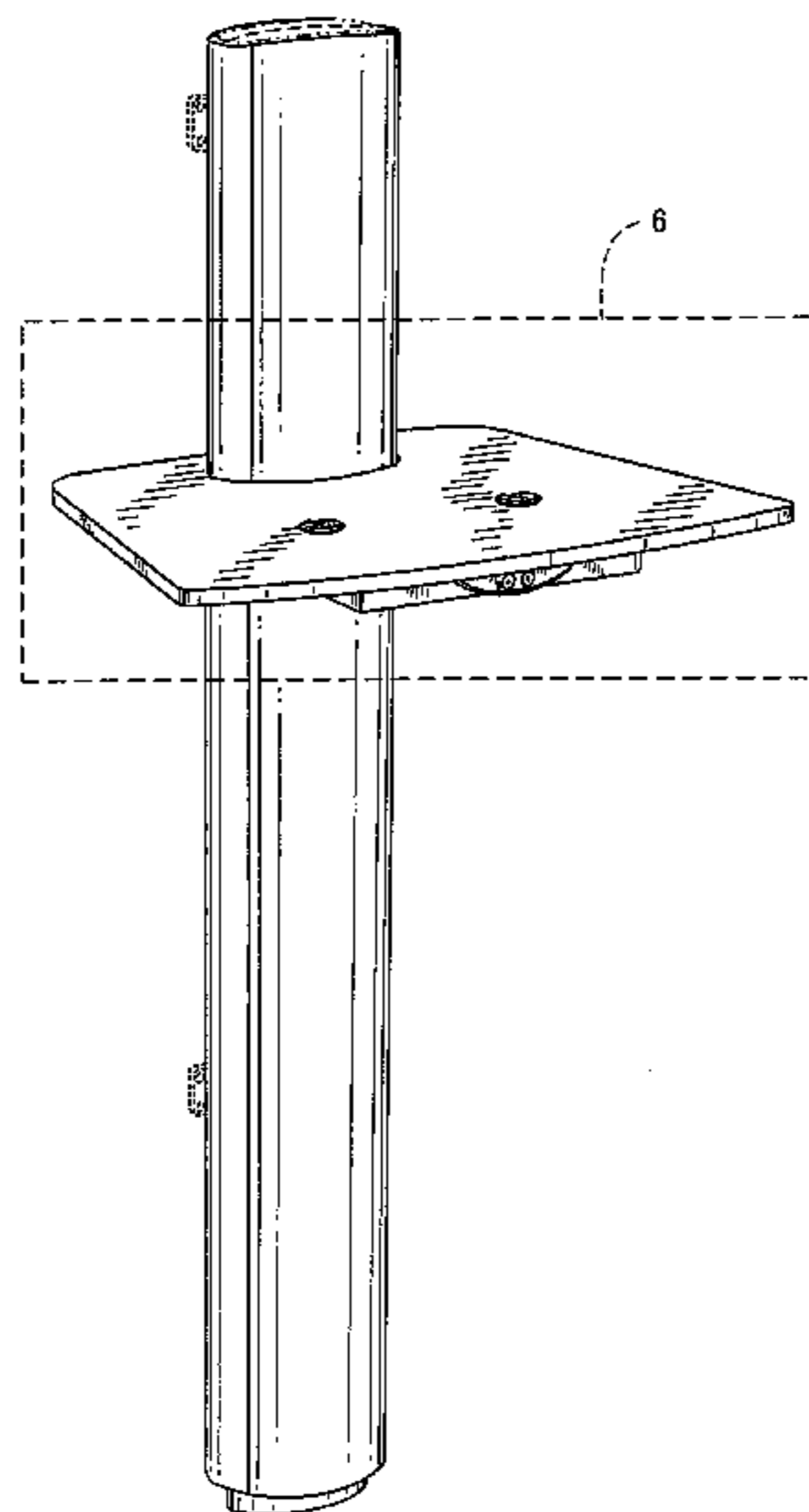
The ornamental design for an instrument column, as shown and described.

DESCRIPTION

FIG. 1 is a top, front and left side perspective view of the instrument column according to my new design;
 FIG. 2 is an enlarged top plan view thereof;
 FIG. 3 is a front elevational view thereof;
 FIG. 4 is a right side elevational view thereof;
 FIG. 5 is a left side elevational view thereof;
 FIG. 6 is an enlarged view of the table shown in the broken line box of FIG. 1; and,
 FIG. 7 is a top, front and right side perspective view of the instrument column according to my new design, showing the table in an alternative position of use.

The uniform broken lines shown in the drawings illustrate portions of the instrument column that form no part of the claimed design. The dash-dot broken lines illustrate boundaries between claimed and unclaimed surfaces which form no part of the claimed design.

1 Claim, 7 Drawing Sheets



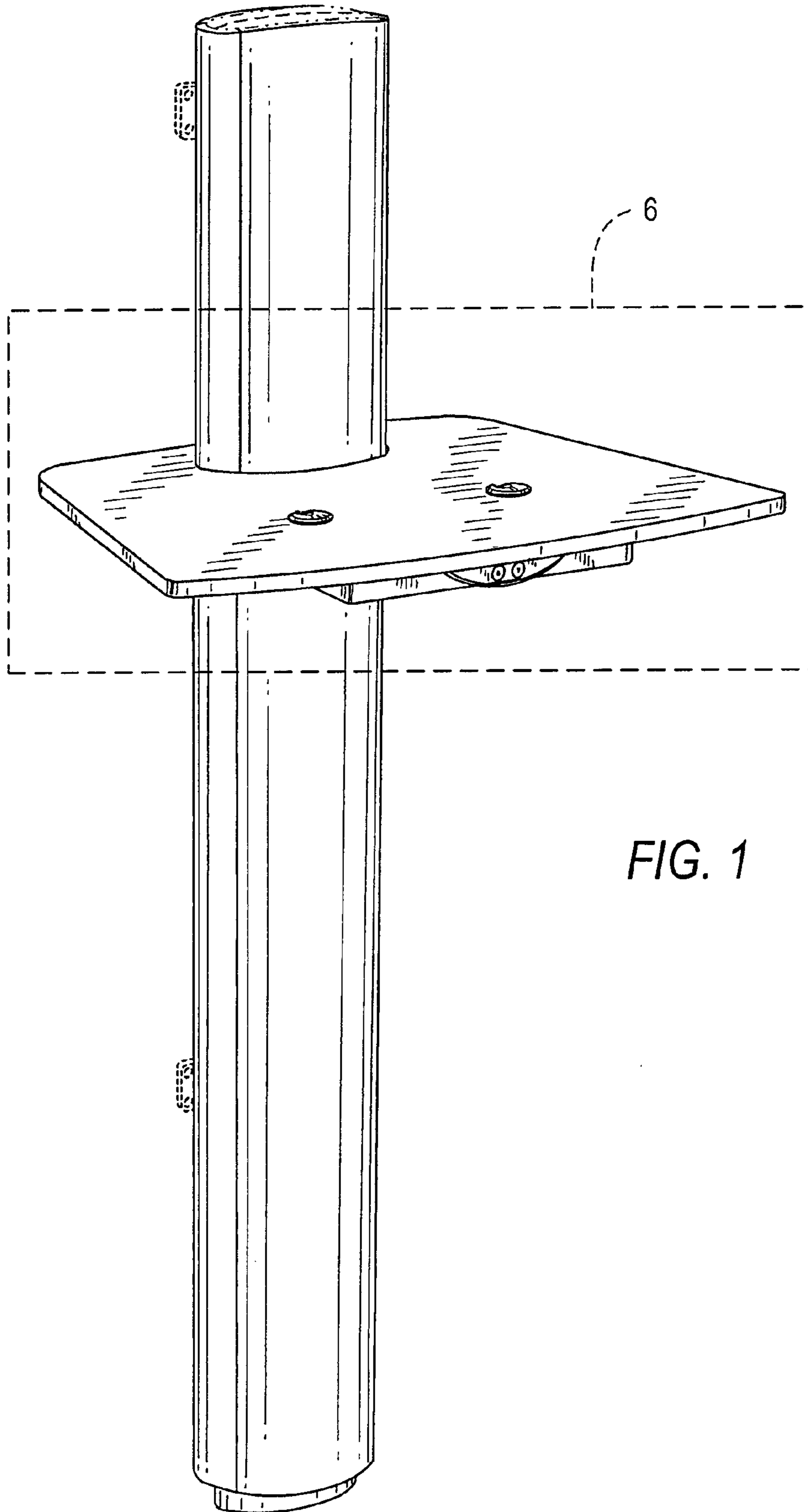


FIG. 1

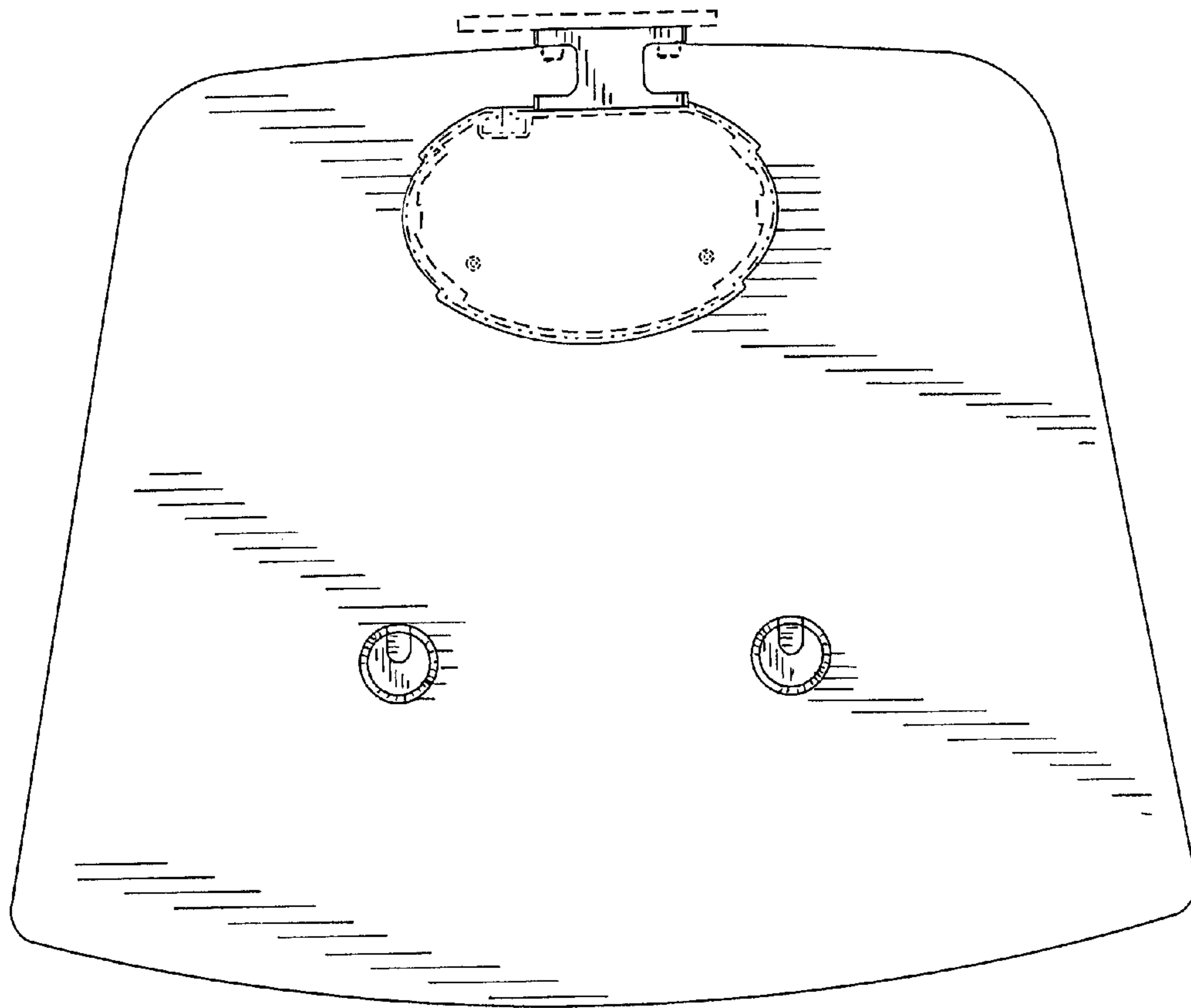


FIG. 2

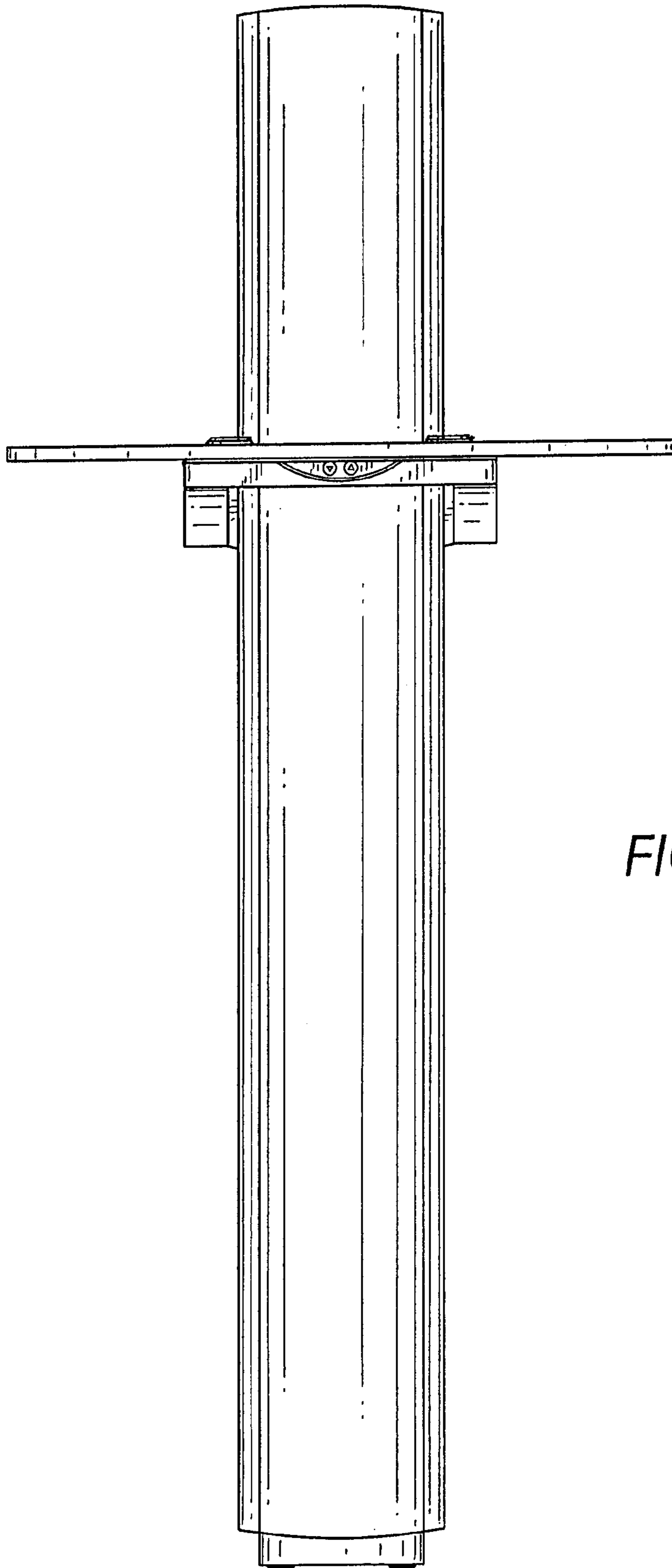


FIG. 3

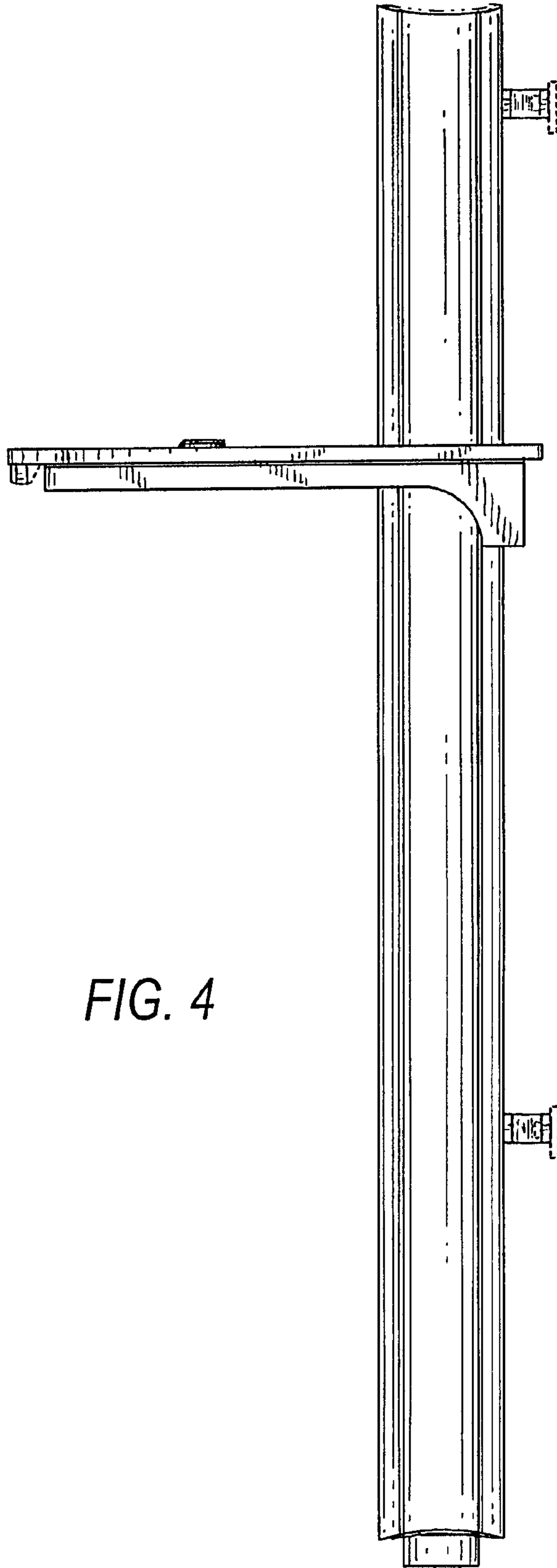


FIG. 4

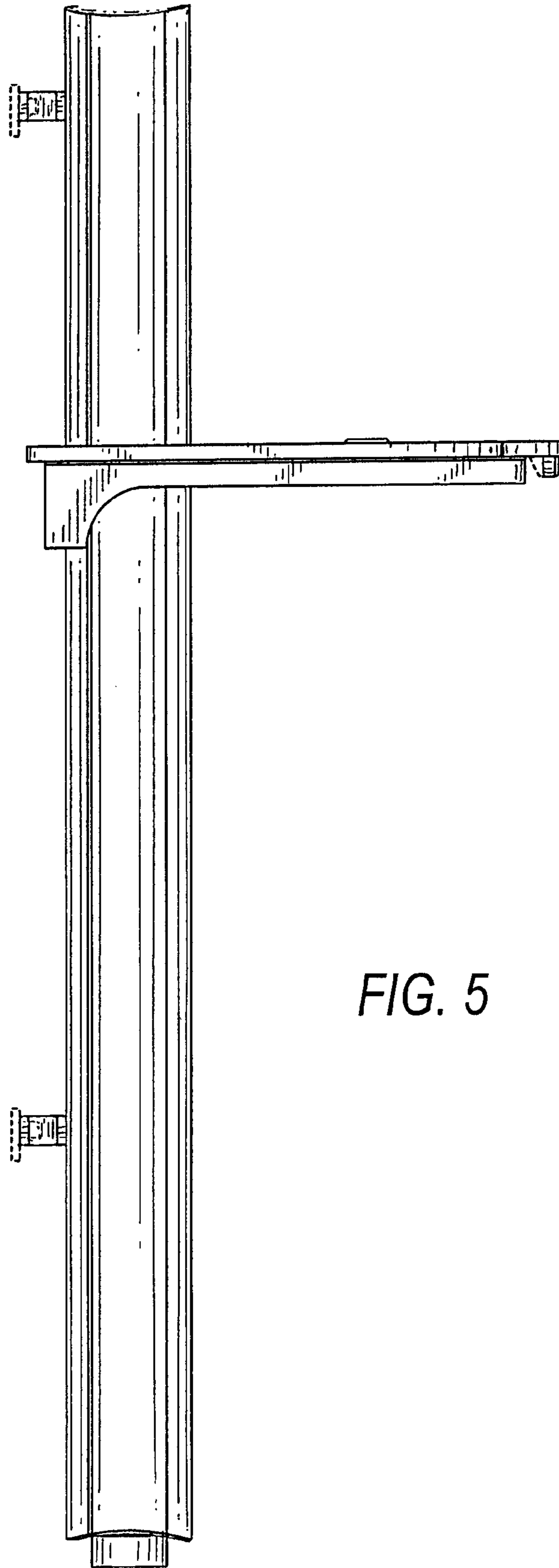


FIG. 5

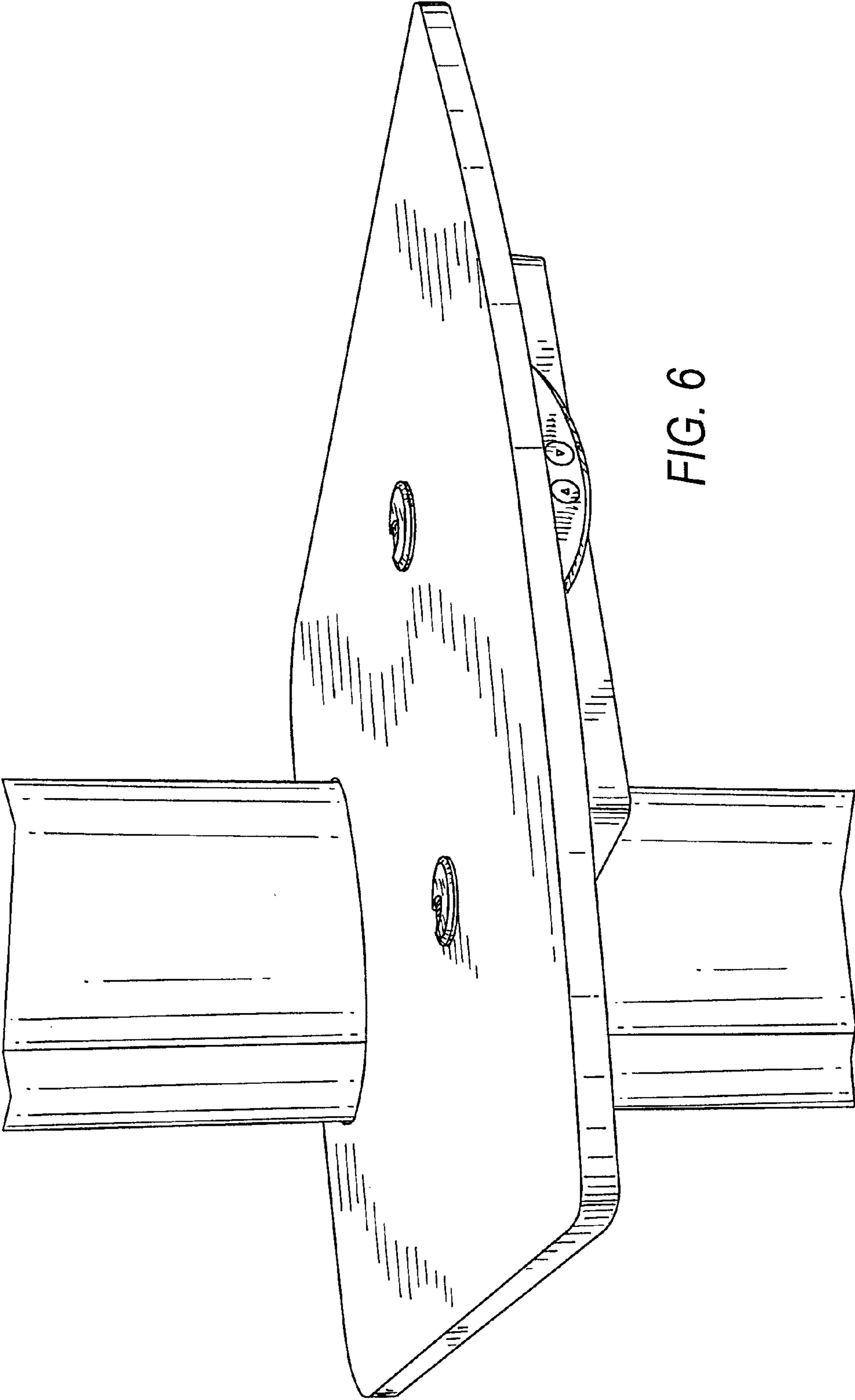


FIG. 6

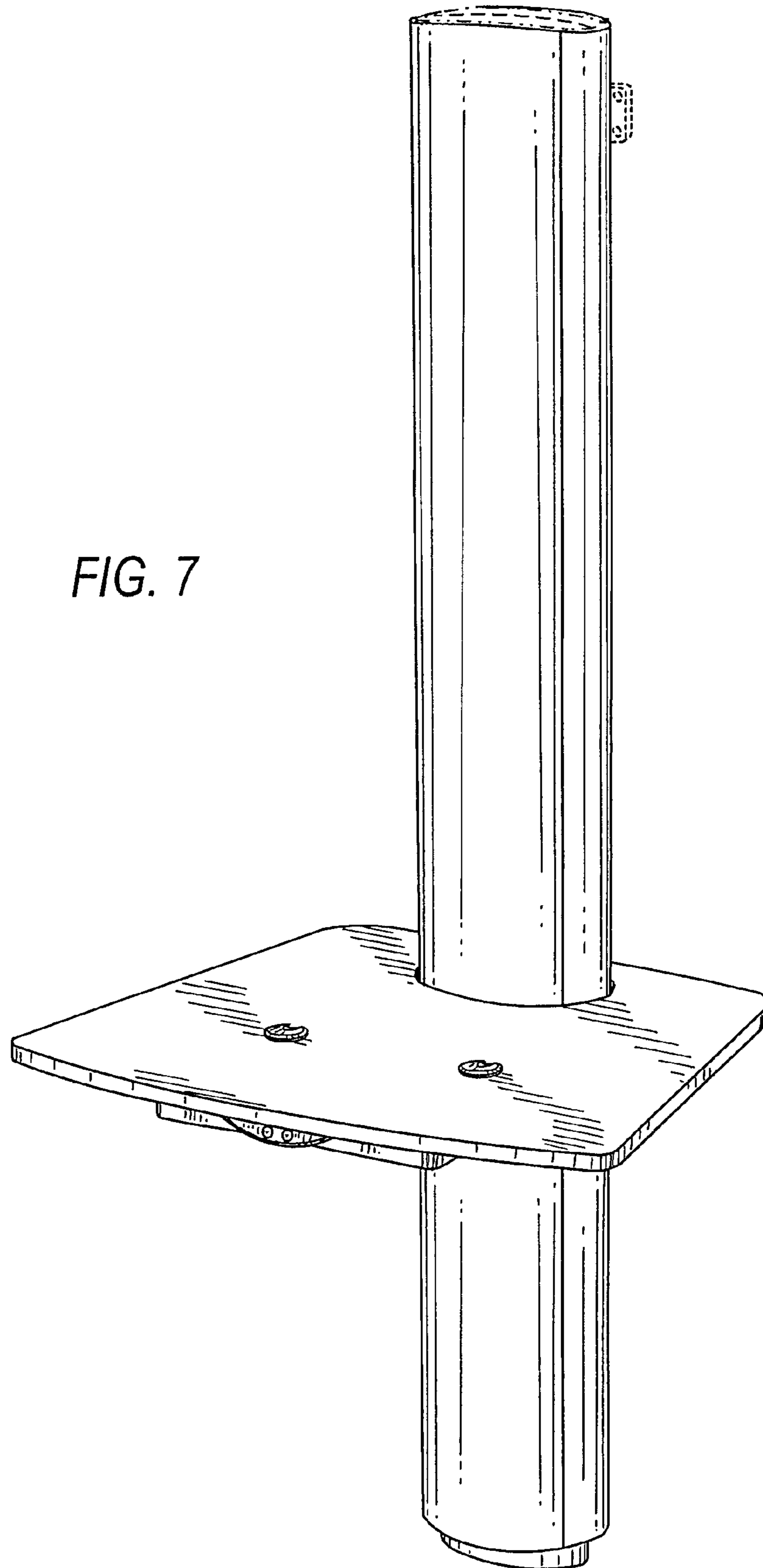


FIG. 7