



US00D736015S

(12) **United States Design Patent**
Durham

(10) **Patent No.:** **US D736,015 S**

(45) **Date of Patent:** **** Aug. 11, 2015**

(54) **STACKABLE ROTATING DISPLAY CASE**

(71) Applicant: **Brent Durham**, Keene, KY (US)

(72) Inventor: **Brent Durham**, Keene, KY (US)

(**) Term: **14 Years**

(21) Appl. No.: **29/448,696**

(22) Filed: **Mar. 13, 2013**

(51) **LOC (10) Cl.** **06-06**

(52) **U.S. Cl.**

USPC **D6/680**

(58) **Field of Classification Search**

USPC D6/407, 626–630, 462–468, 450, 457,
D6/473–476, 556–567, 570–572, 677,
D6/677.1, 680; 211/40, 41.1, 41.2, 41.3,
211/41.4, 42, 41.12, 44, 44.18; 206/307.1,
206/307, 308.1, 445, 387.15

CPC A47B 49/00; A47B 49/002; A47B 49/004

See application file for complete search history.

(56) **References Cited**

U.S. PATENT DOCUMENTS

786,737	A *	4/1905	Douglass et al.	312/249.8
D39,376	S *	6/1908	Berolzheimer	D6/455
1,361,334	A *	12/1920	Kaley	211/163
D270,024	S *	8/1983	Strasser	D6/680.2
4,548,324	A *	10/1985	Mackey, Jr.	211/58
4,609,975	A *	9/1986	Badolato et al.	362/125
4,700,850	A	10/1987	Morgan et al.		
D295,124	S *	4/1988	Jaquish	D6/678
4,865,283	A	9/1989	Parker		
D307,683	S *	5/1990	Jaquish	D6/680
D316,643	S	5/1991	Cheetham		
D331,844	S *	12/1992	Rover et al.	D6/680.2
D340,369	S *	10/1993	Dokoupil et al.	D6/675
5,253,767	A	10/1993	Koeppel		
D348,364	S *	7/1994	Engel	D6/660

D353,960	S *	1/1995	Barfield	D6/661
5,505,319	A	4/1996	Todd, Jr.		
D459,137	S *	6/2002	Poirier	D6/630
6,508,021	B2 *	1/2003	Ong	40/312
D498,612	S *	11/2004	Brunet	D6/663
6,908,000	B2	6/2005	Craft et al.		
D530,541	S *	10/2006	Raile	D6/675.1
7,185,769	B2 *	3/2007	Glass	211/40
D547,569	S *	7/2007	Yan	D6/675.1
D675,846	S *	2/2013	Monaldi et al.	D6/661
8,372,643	B2	2/2013	Ying et al.		
D700,464	S *	3/2014	Brevda et al.	D6/675

* cited by examiner

Primary Examiner — Kelley Donnelly

(74) *Attorney, Agent, or Firm* — Michael Coblenz

(57) **CLAIM**

The ornamental design for a stackable rotating display case, as shown and described.

DESCRIPTION

FIG. 1 is a perspective view of a first embodiment of a rotating display case;

FIG. 2 is a perspective view of a second embodiment of a rotating display case;

FIG. 3 is a perspective view of a third embodiment of a rotating display case showing indeterminate length;

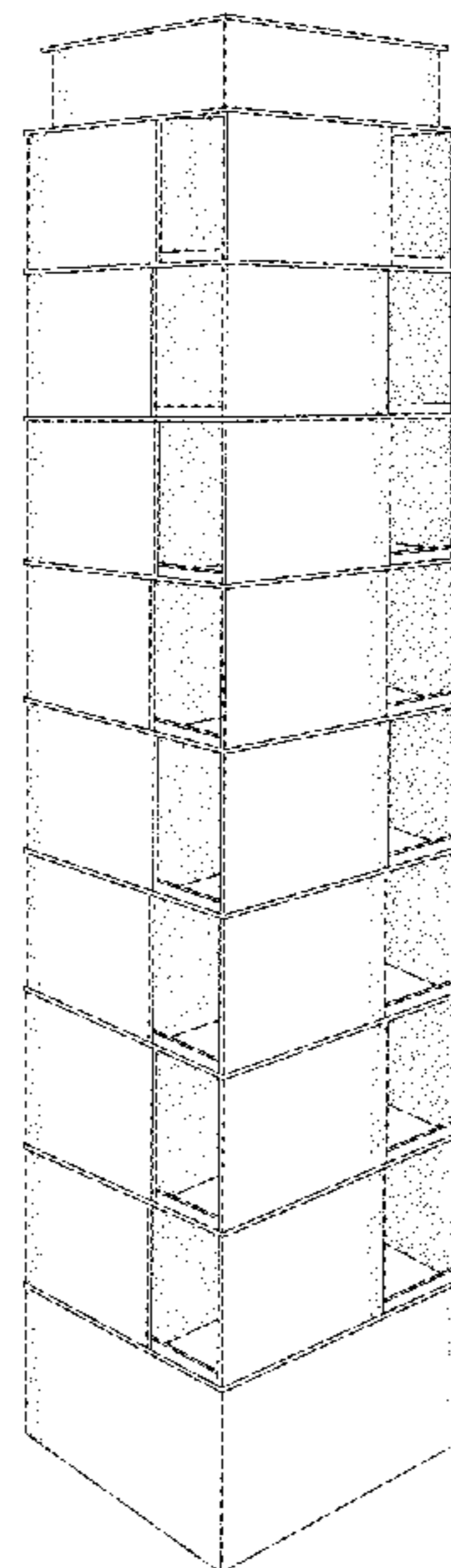
FIG. 4 is a perspective view of a single stack of the rotating display case thereof;

FIG. 5 is a top elevation view thereof, wherein said bottom elevation view is a mirror image thereof; and,

FIG. 6 is a front elevation view thereof, wherein the back, right side and left side elevation views are a mirror image thereof.

The break lines shown in FIG. 3 are not part of the claimed design and represent that no particular length of the rotating display case is claimed.

1 Claim, 6 Drawing Sheets



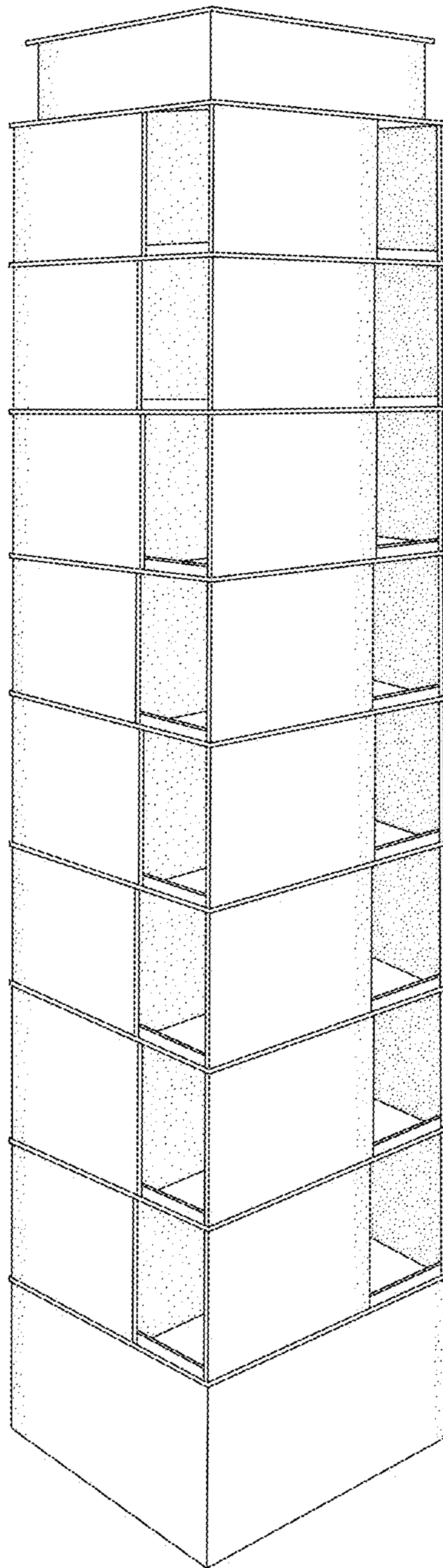


FIG. 1

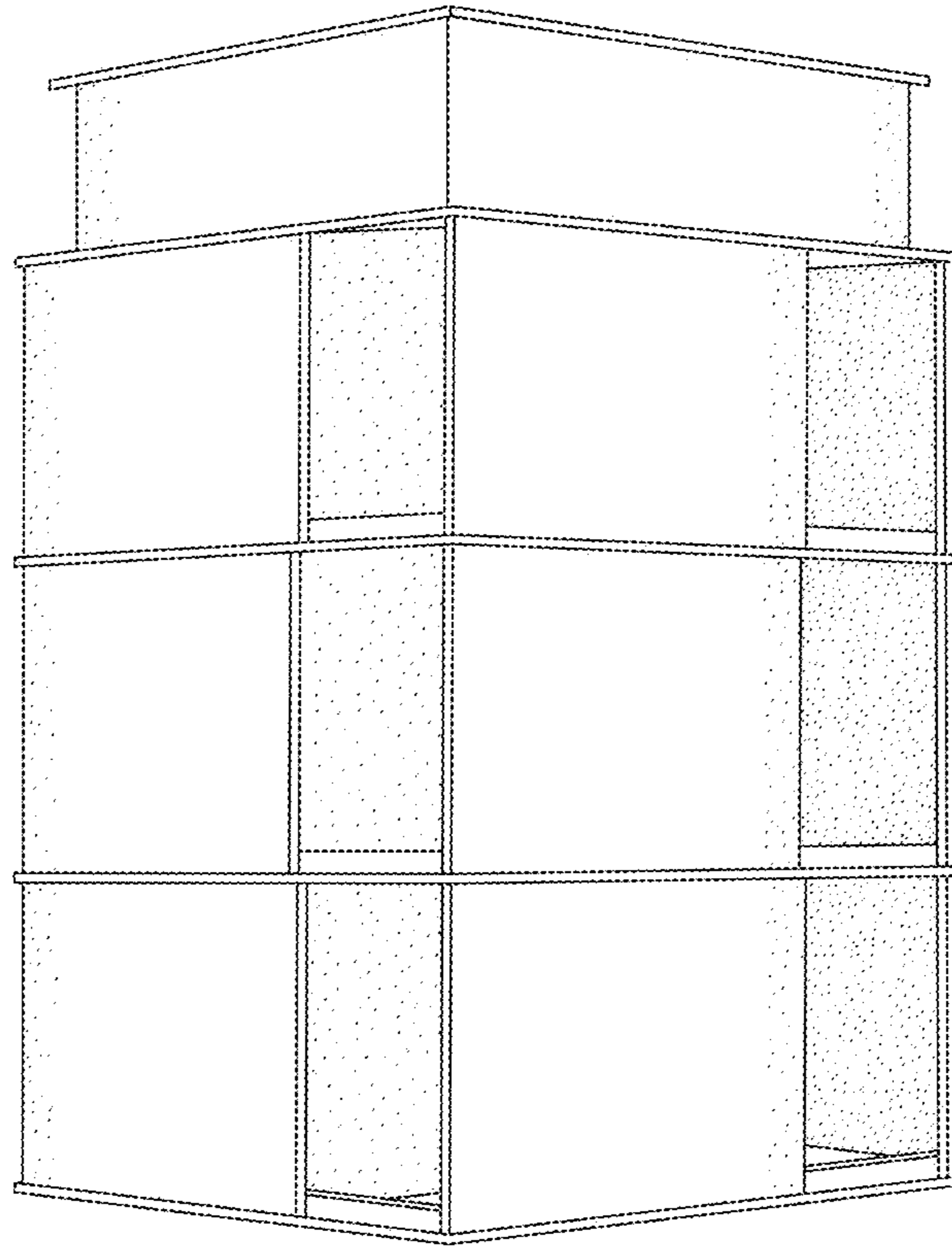


FIG. 2

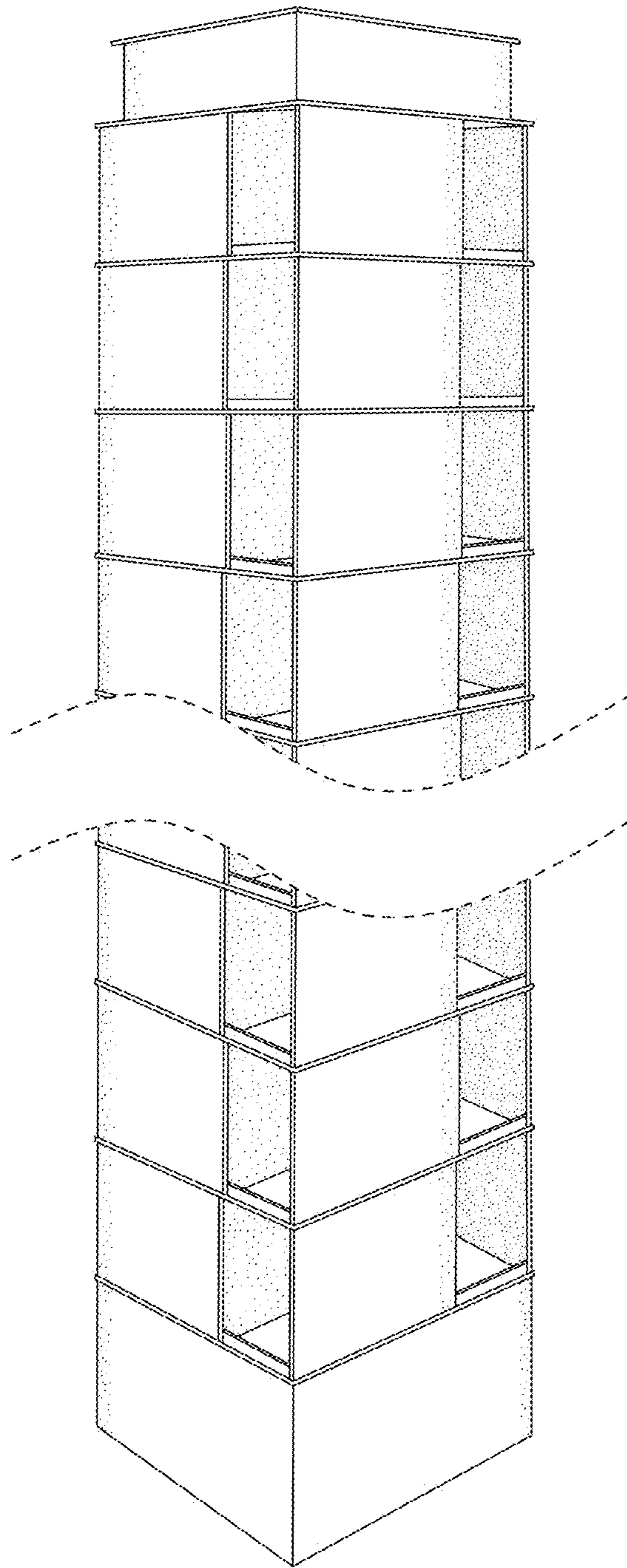


FIG. 3

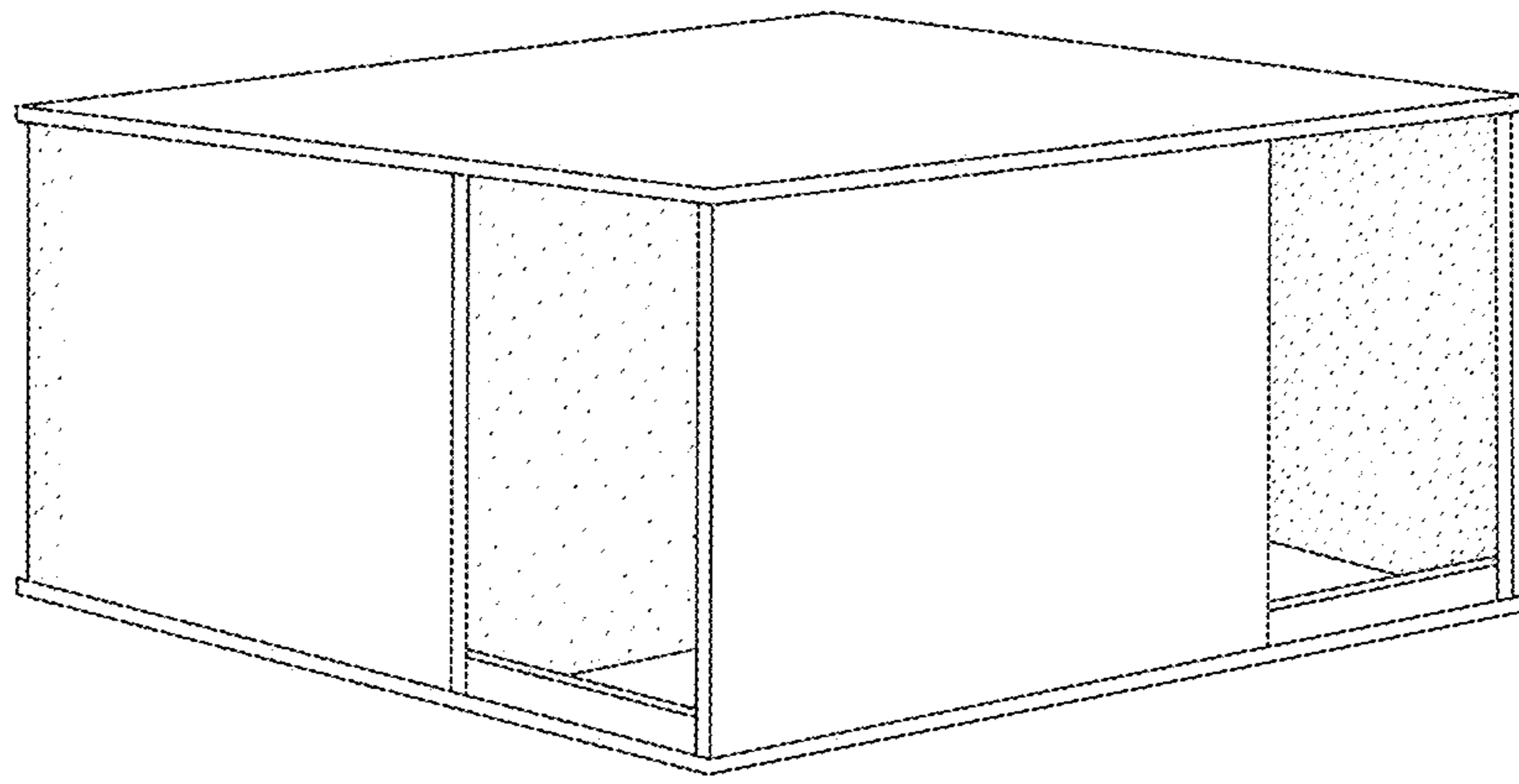


FIG. 4

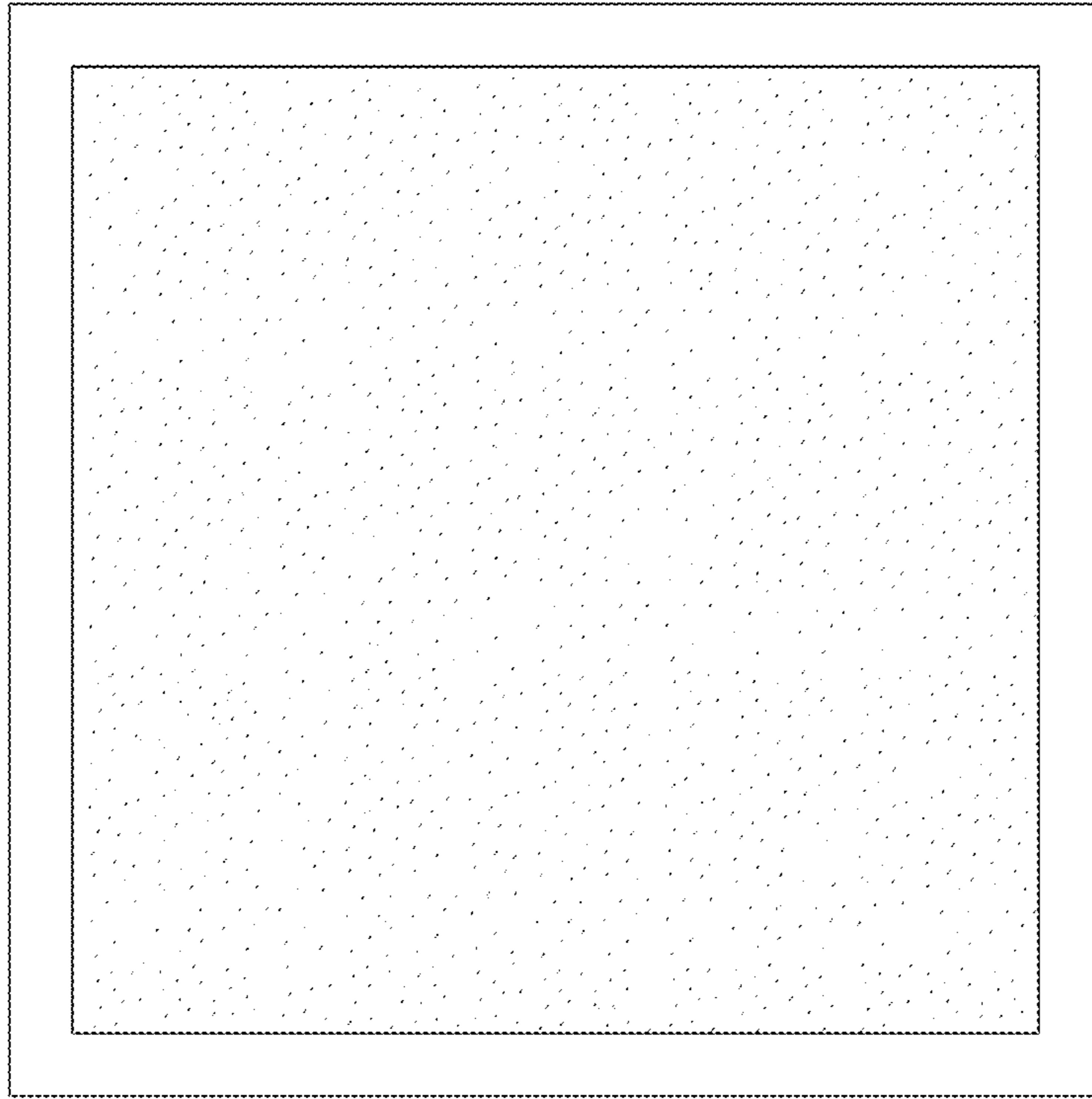


FIG. 5

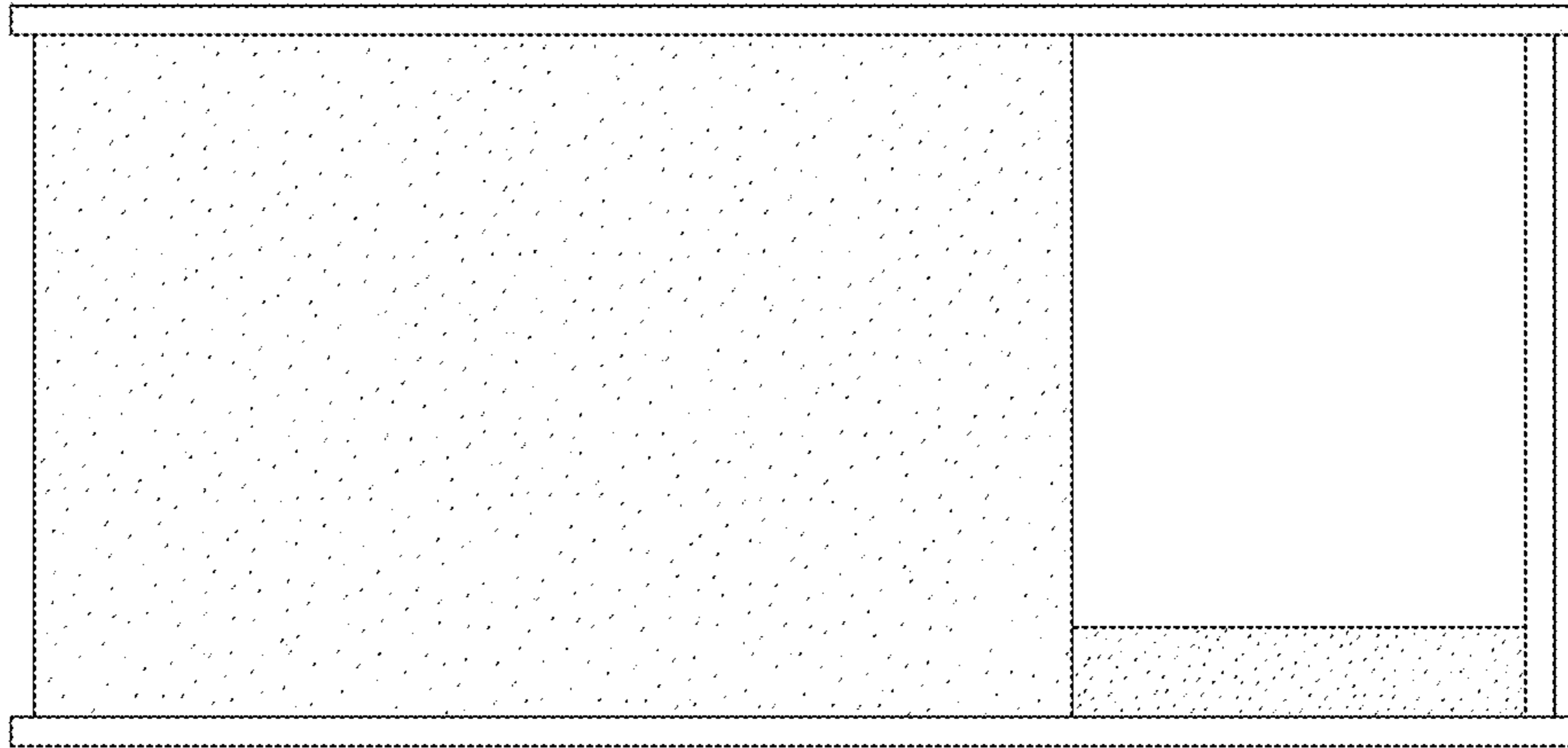


FIG. 6