



US00D736014S

(12) **United States Design Patent**
Tsai

(10) **Patent No.:** **US D736,014 S**

(45) **Date of Patent:** **** Aug. 11, 2015**

- (54) **TWO-TIER CABINET DRAWER**
- (71) Applicant: **Tsung-Yu Tsai**, Changhua (TW)
- (72) Inventor: **Tsung-Yu Tsai**, Changhua (TW)
- (**) Term: **14 Years**
- (21) Appl. No.: **29/484,778**
- (22) Filed: **Mar. 12, 2014**
- (51) **LOC (10) Cl.** **06-06**
- (52) **U.S. Cl.**
USPC **D6/675.2**
- (58) **Field of Classification Search**
USPC D6/396-397, 409-410, 436, 448-450,
D6/453, 470, 510, 675, 675.1, 675.2,
D6/675.5; 211/1, 10, 13.1, 28, 69.1, 69.5,
211/70, 70.1, 70.6, 74, 77, 78, 85.1, 85.2,
211/85.4, 85.31, 126.9, 191.1, 134, 153;
D3/302, 304, 306; D7/600.1-600.4
CPC B65D 21/02; B65D 21/0215
See application file for complete search history.

D577,172 S *	9/2008	Coderre	D34/12
D636,550 S *	4/2011	Molayem	D34/21
D644,069 S *	8/2011	Tiemann	D7/600.4
D653,876 S *	2/2012	Snider	D6/462
D654,292 S *	2/2012	Snider	D6/510
D657,588 S *	4/2012	Snider	D6/462
D675,849 S *	2/2013	Tawil	D6/705
D675,850 S *	2/2013	Tawil	D6/705
D691,858 S *	10/2013	Tiemann	D7/600.4
D692,666 S *	11/2013	Goodman et al.	D3/304
D696,049 S *	12/2013	Hsu et al.	D6/675.2
D697,310 S *	1/2014	Snider	D3/306
D698,604 S *	2/2014	Tsai	D7/600.1
D698,605 S *	2/2014	Tsai	D7/600.1
D701,432 S *	3/2014	Tsai	D7/600.4
8,950,612 B2 *	2/2015	Turner	220/1.5

* cited by examiner

Primary Examiner — Kelley Donnelly

(74) *Attorney, Agent, or Firm* — QuickPatents; Kevin Prince

(57) **CLAIM**

I claim the ornamental design for a two-tier cabinet drawer, as shown and described.

DESCRIPTION

FIG. 1 is an enlarged perspective view of a two-tier cabinet drawer, showing our new design with a pair of drawers in a retracted position;

FIG. 2 is a perspective view thereof, illustrated with the pair of drawers in an extended position;

FIG. 3 is a rear elevational view of FIG. 1;

FIG. 4 is a front elevational view of FIG. 1;

FIG. 5 is a left-side elevational view of FIG. 1, the right-side elevational view being a mirror image thereof;

FIG. 6 is a top plan view of FIG. 1; and,

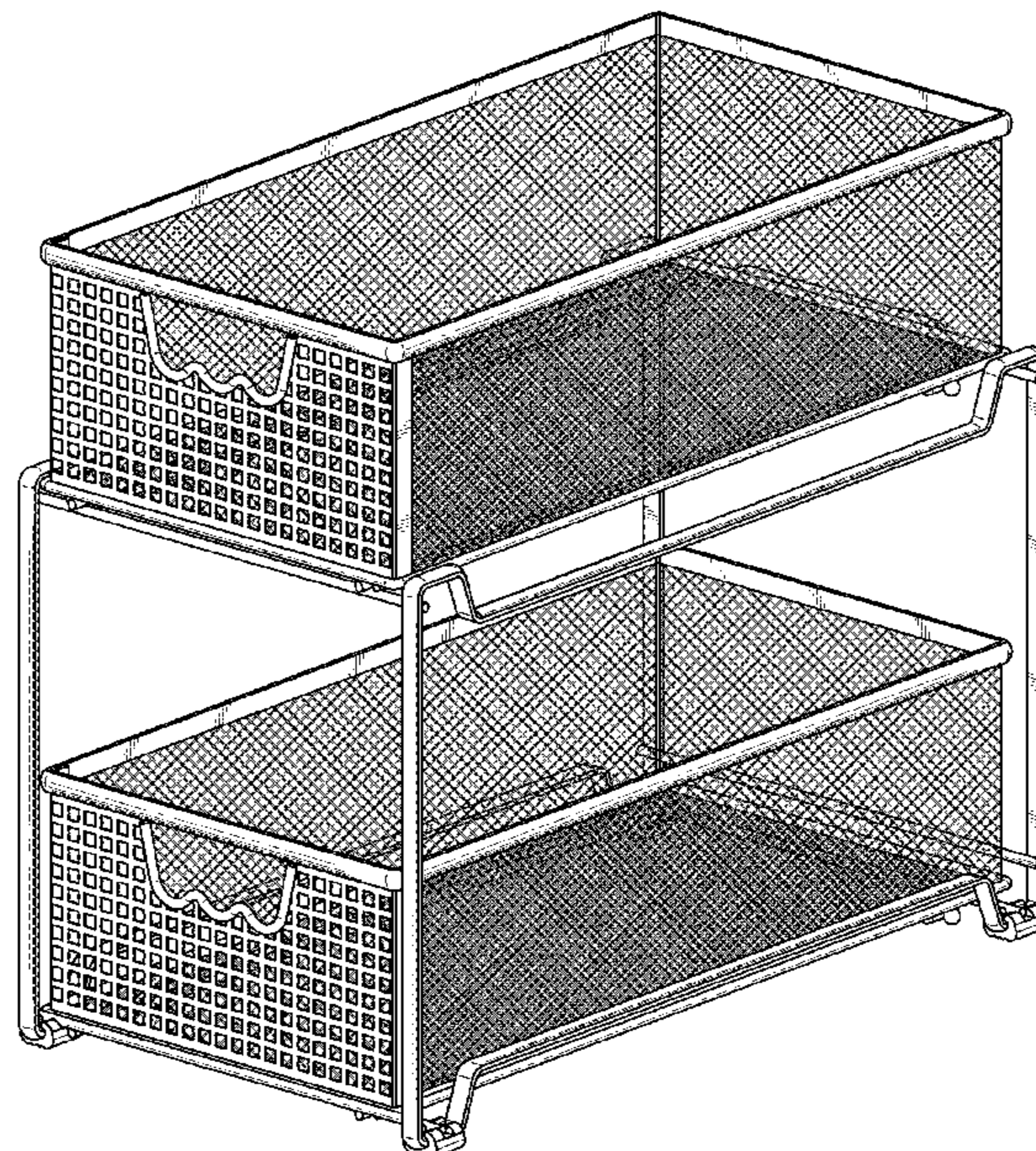
FIG. 7 is a bottom plan view of FIG. 1.

1 Claim, 5 Drawing Sheets

(56) **References Cited**

U.S. PATENT DOCUMENTS

3,330,576 A *	7/1967	Willis	280/79.3
4,292,902 A *	10/1981	Barrineau	108/146
4,595,107 A *	6/1986	Welsch	211/187
D301,790 S *	6/1989	Ivano	D34/21
D335,566 S *	5/1993	Spriggs et al.	D34/14
D354,382 S *	1/1995	Mogensen	D34/21
D424,836 S *	5/2000	Kopala, Jr.	D6/465
D429,865 S *	8/2000	Bartz et al.	D34/17
D518,977 S *	4/2006	Anderson et al.	D6/465
D542,997 S *	5/2007	Coderre	D34/17
D555,871 S *	11/2007	Pong	D34/17



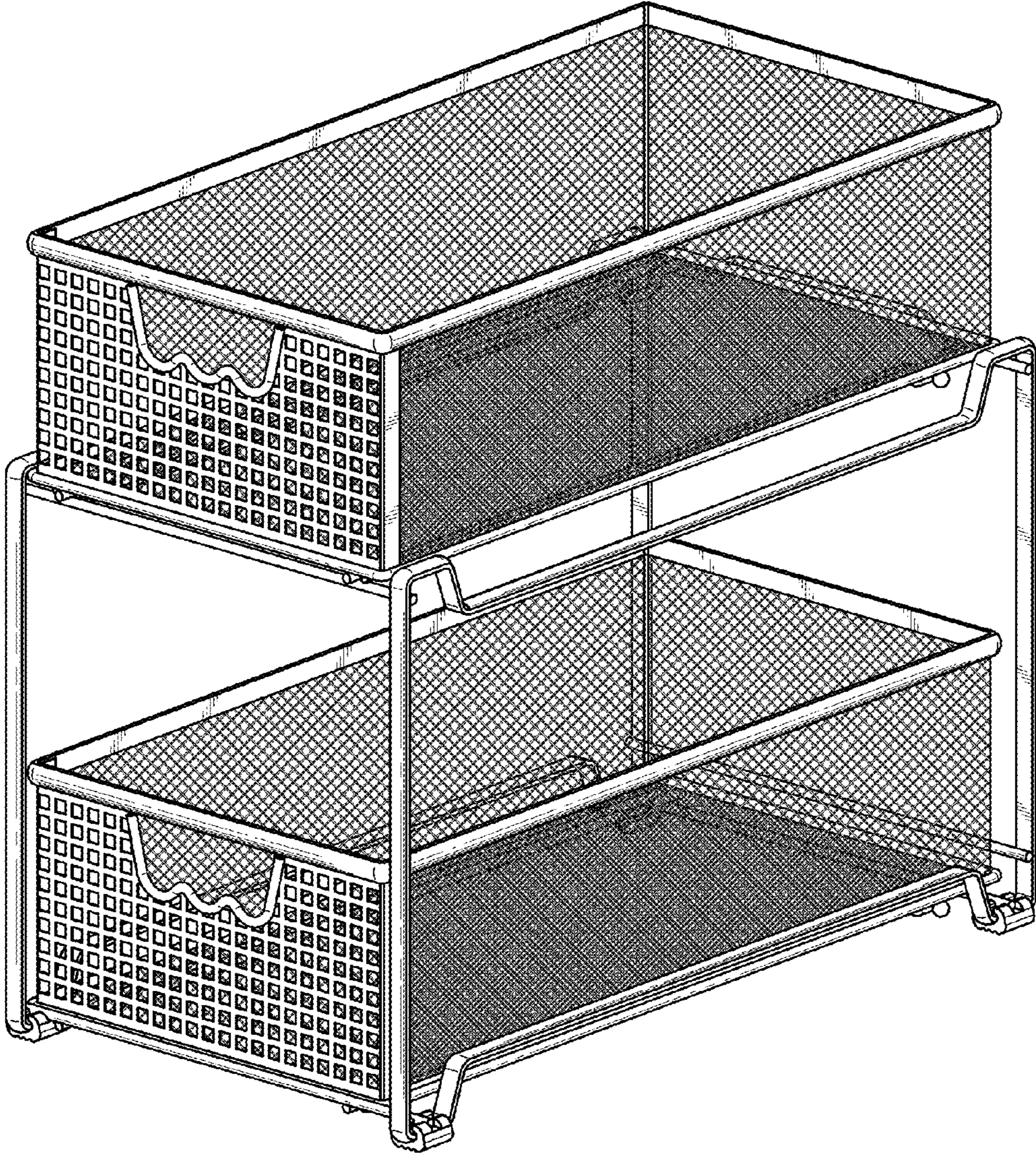


FIG. 1

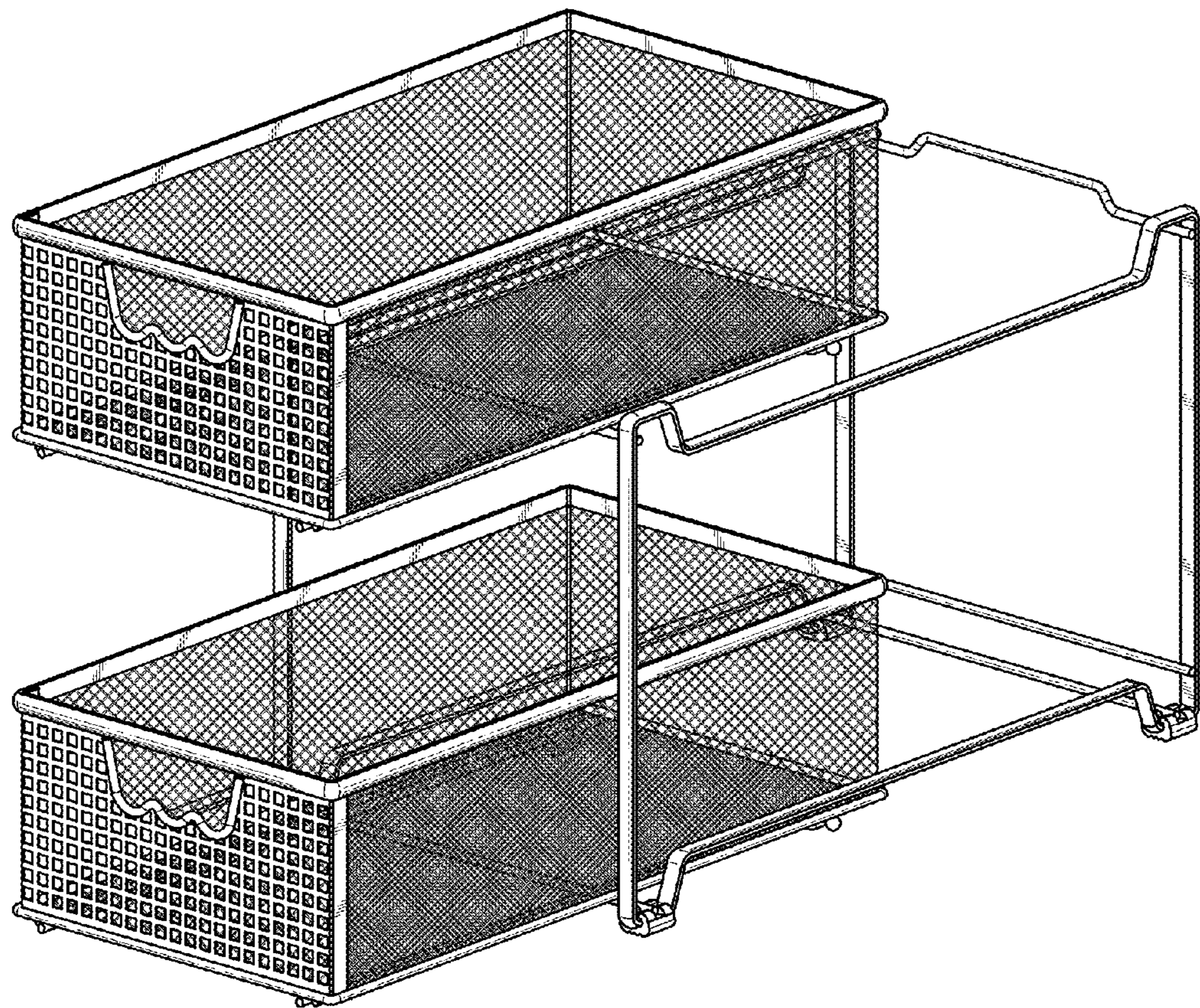


FIG. 2

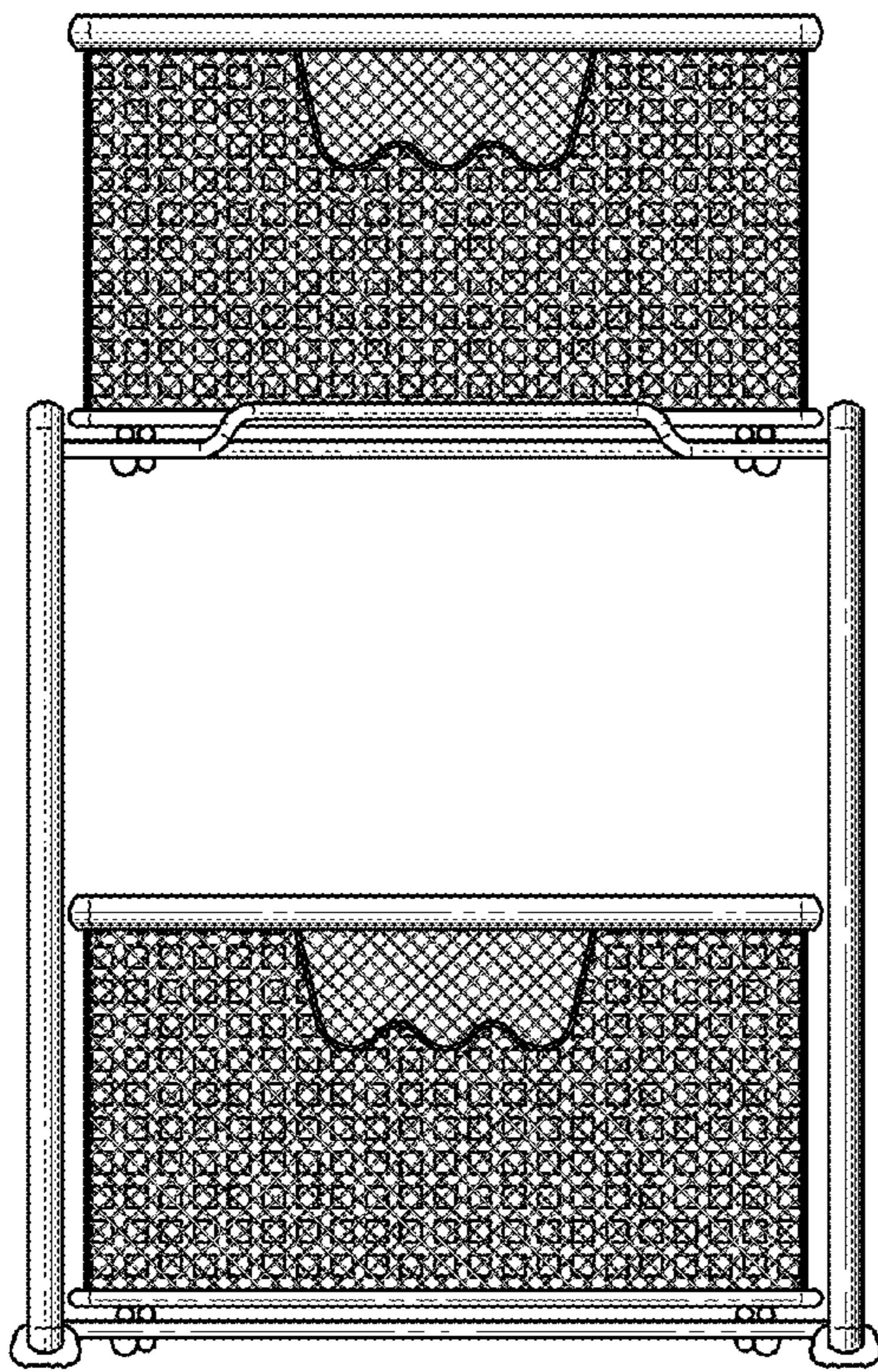


FIG. 3

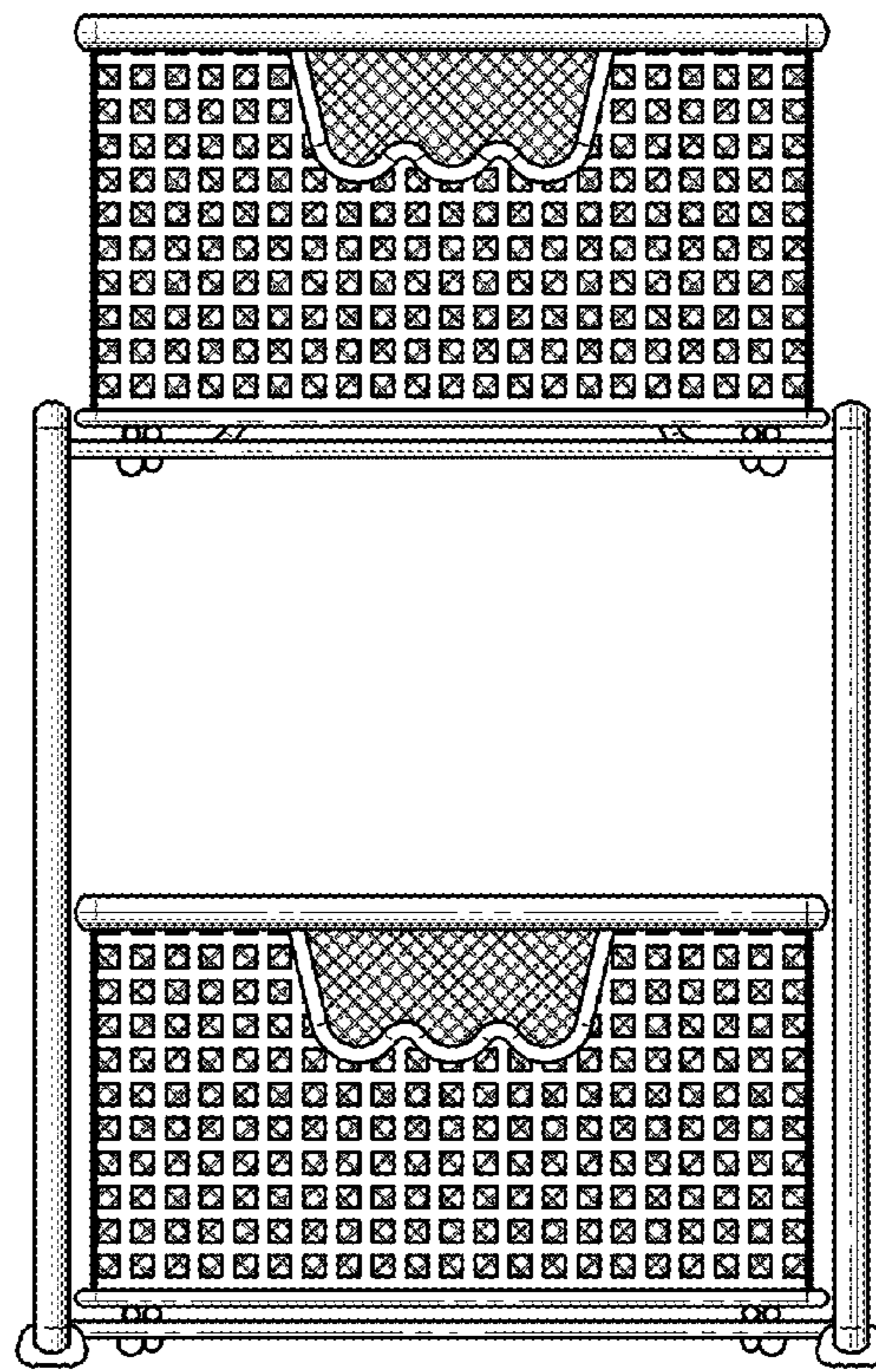


FIG. 4

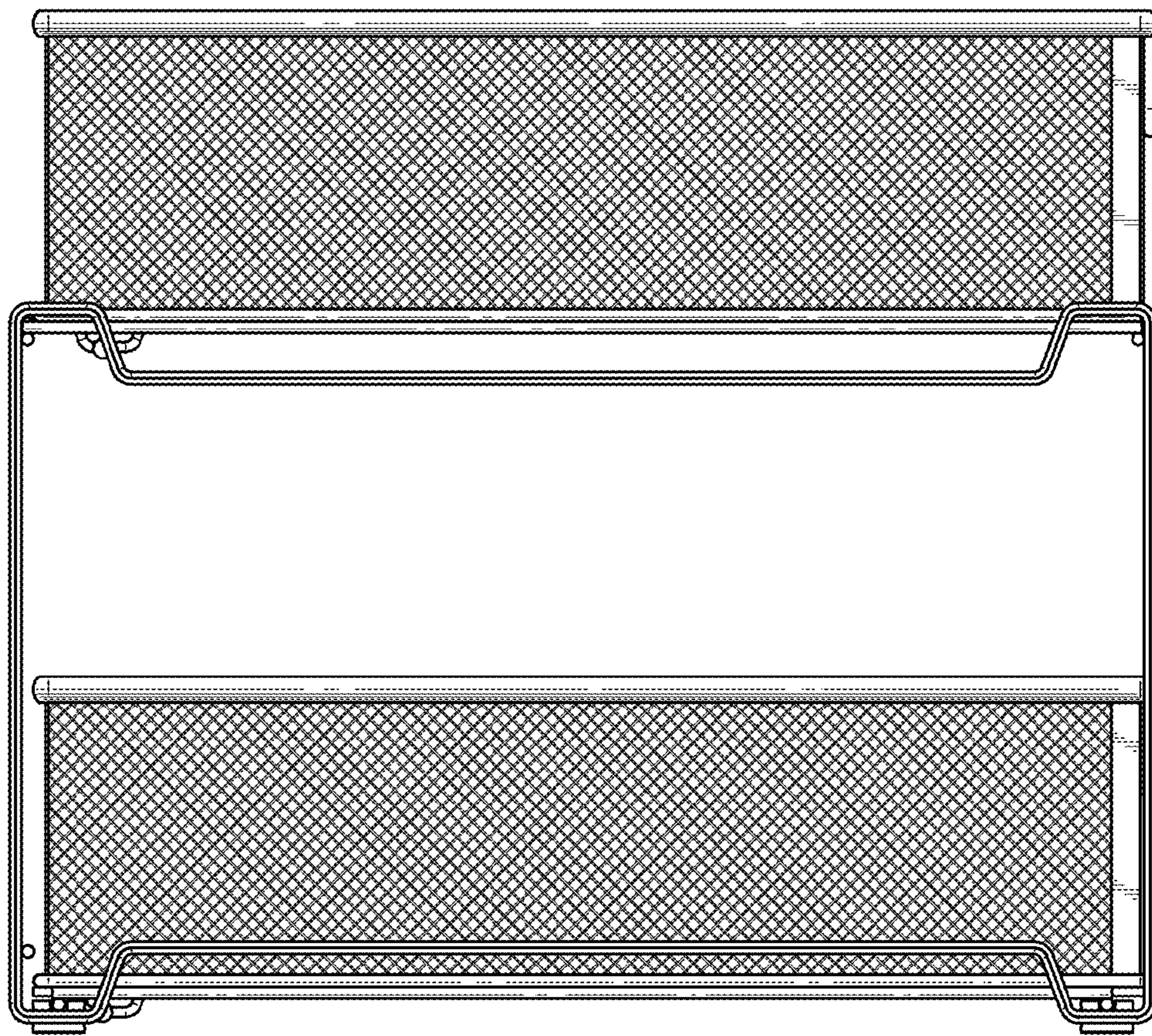


FIG. 5

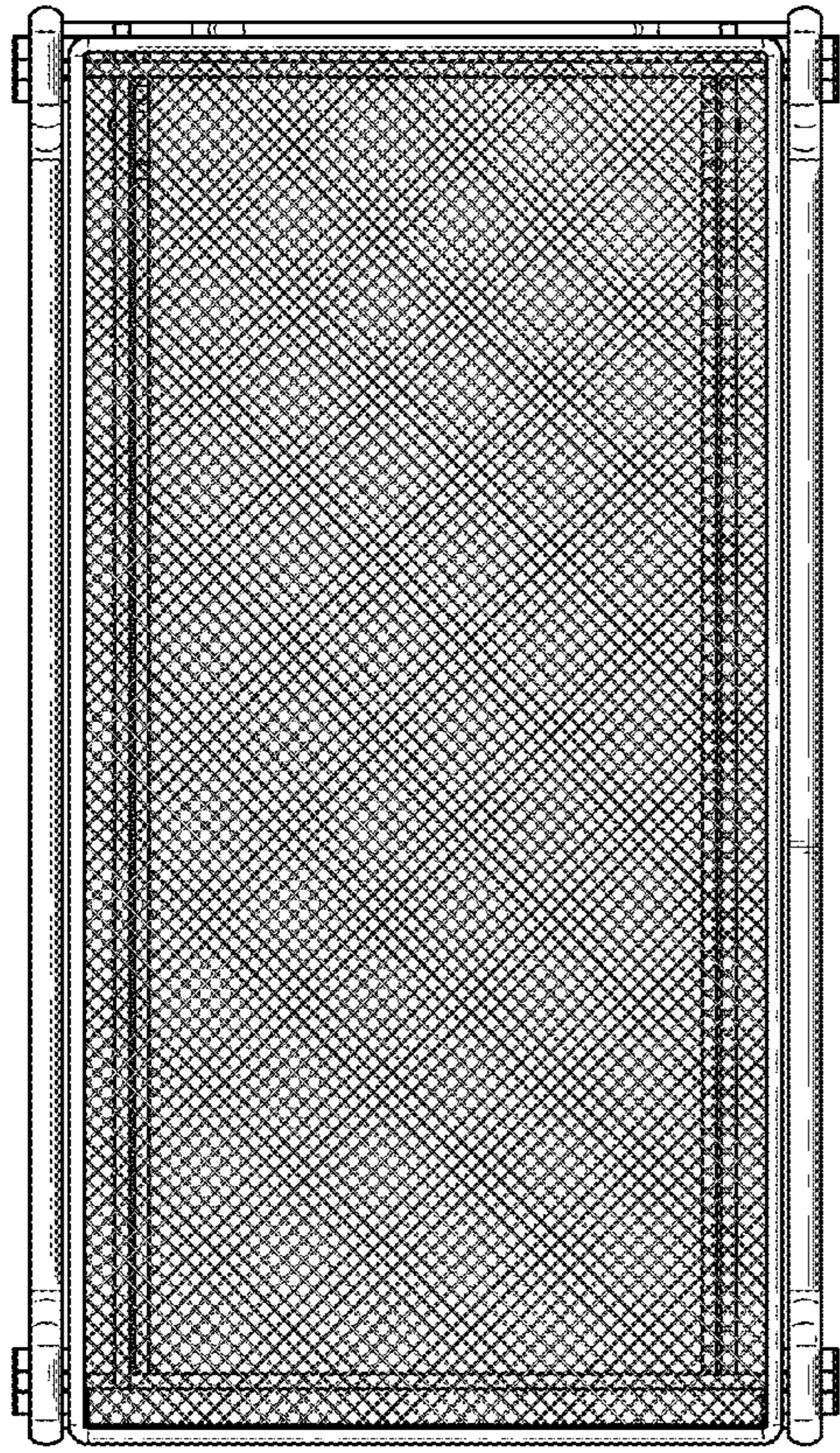


FIG. 6

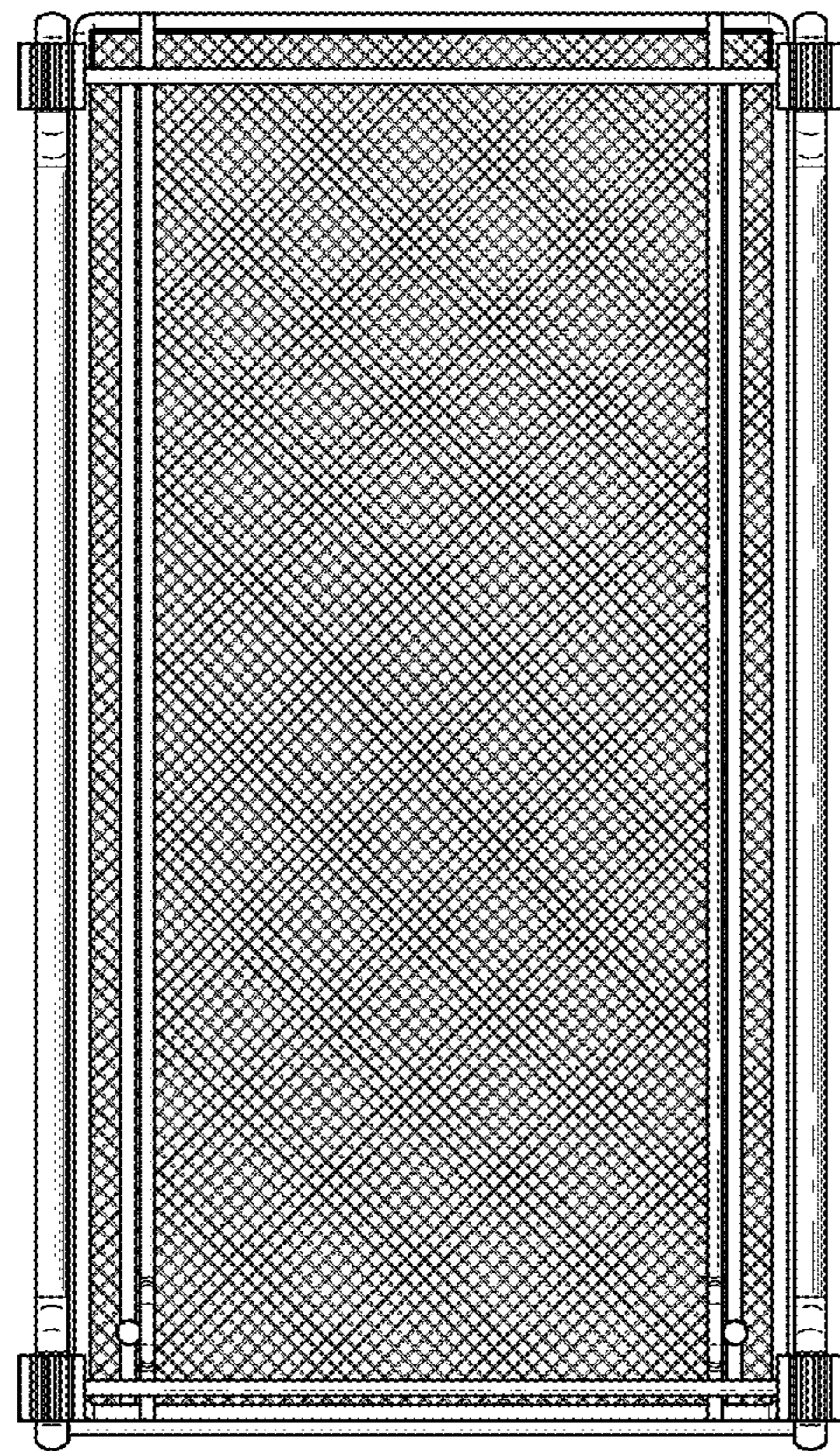


FIG. 7