



US00D736013S

(12) **United States Design Patent**
Williams et al.

(10) **Patent No.:** **US D736,013 S**
(45) **Date of Patent:** **** Aug. 11, 2015**

- (54) **BRACELET AND HONEYCOMB JEWELRY TRAY**
- (71) Applicant: **LF Centennial Ltd.**, Road Town, Tortola (VG)
- (72) Inventors: **Matthew G. Williams**, Lighthouse Point, FL (US); **Jose Suero**, Boca Raton, FL (US)
- (73) Assignee: **LF CENTENNIAL LTD.**, Road Town, Tortola (VG)
- (**) Term: **14 Years**
- (21) Appl. No.: **29/486,379**
- (22) Filed: **Mar. 28, 2014**
- (51) **LOC (10) Cl.** **06-06**
- (52) **U.S. Cl.**
USPC **D6/675**

- (58) **Field of Classification Search**
USPC D6/449, 512, 672, 675, 682, 683;
D9/759-760, 456; D3/304, 313-314,
D3/315, 319; D7/550.1, 553.1, 553.4;
220/575; 206/503, 505, 557, 564, 566
See application file for complete search history.

- (56) **References Cited**
U.S. PATENT DOCUMENTS
4,372,000 A * 2/1983 Hurd 449/43
4,824,711 A * 4/1989 Cagliostro et al. 428/116

- D356,338 S * 3/1995 Magnusson D19/77
- D396,953 S * 8/1998 Iversen et al. D3/310
- 5,830,039 A * 11/1998 Fraser-Jones 449/2
- D402,436 S * 12/1998 Cawley et al. D1/129
- D422,141 S * 4/2000 Dembicks D3/313
- 6,435,355 B1 * 8/2002 Brown 211/44
- D569,619 S * 5/2008 Kent et al. D3/304
- D617,958 S * 6/2010 Benincasa et al. D30/108
- D679,952 S * 4/2013 Holding et al. D7/550.1
- 2007/0037481 A1 * 2/2007 Clerkin 449/44

* cited by examiner

Primary Examiner — Kelley Donnelly

(74) *Attorney, Agent, or Firm* — Duane Morris LLP; J. Rodman Steele, Jr.; Gregory M. Lefkowitz

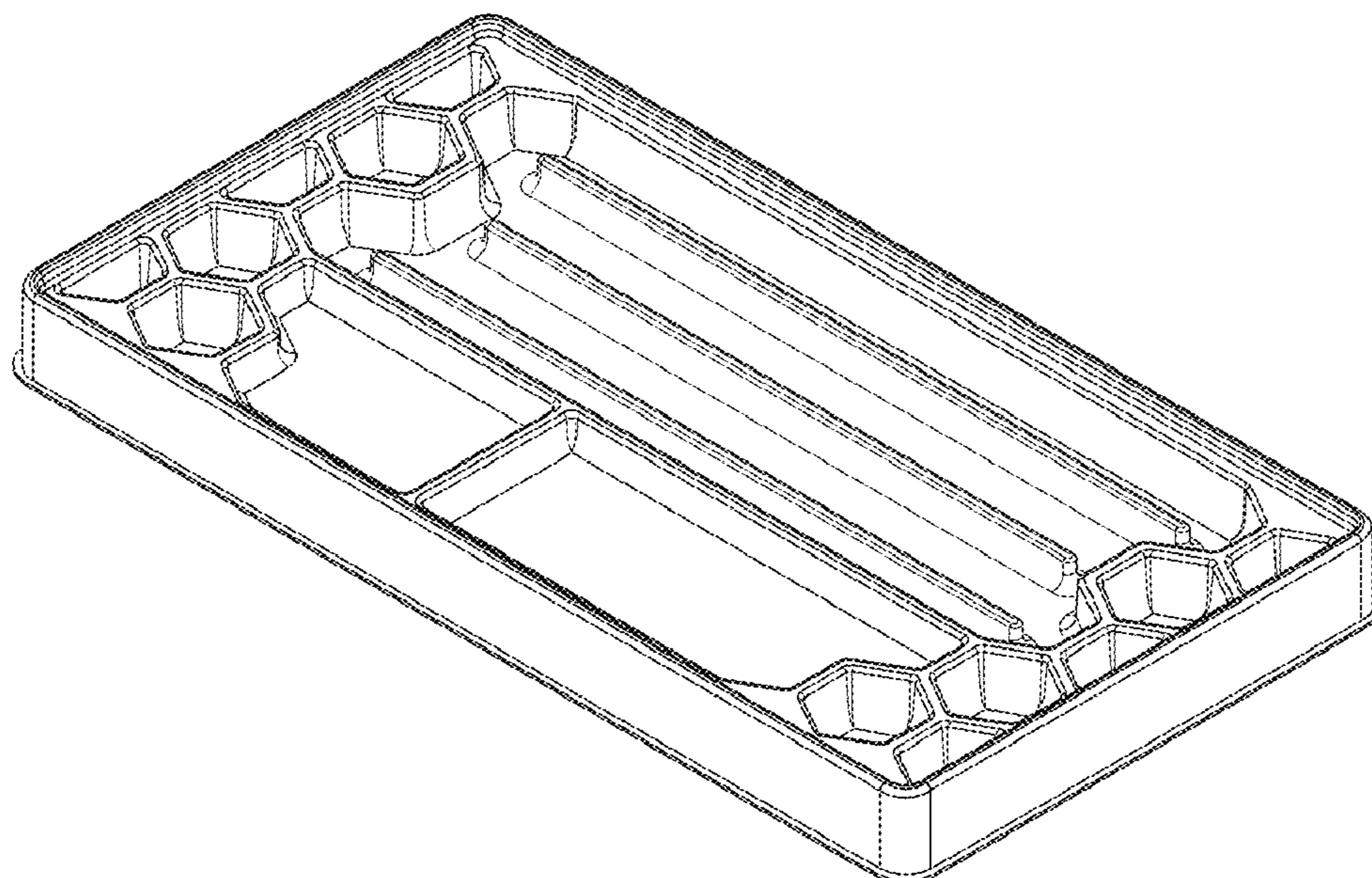
(57) **CLAIM**

The ornamental design for an bracelet and honeycomb jewelry tray, as shown and described.

DESCRIPTION

FIG. 1 is a front, perspective view of our ornamental design; FIG. 2 is a top view of the ornamental design of FIG. 1; FIG. 3 is a front view of the ornamental design of FIG. 1; FIG. 4 is a right side view of the ornamental design of FIG. 1; FIG. 5 is a bottom view of the ornamental design of FIG. 1; FIG. 6 is a cross-sectional view of the ornamental design taken along cut line 6-6 of FIG. 2; and, FIG. 7 is a cross-sectional view of the ornamental design taken along cut line 7-7 of FIG. 2. The back view is a mirror image of the front view. The left side view is a mirror image of the left side view.

1 Claim, 3 Drawing Sheets



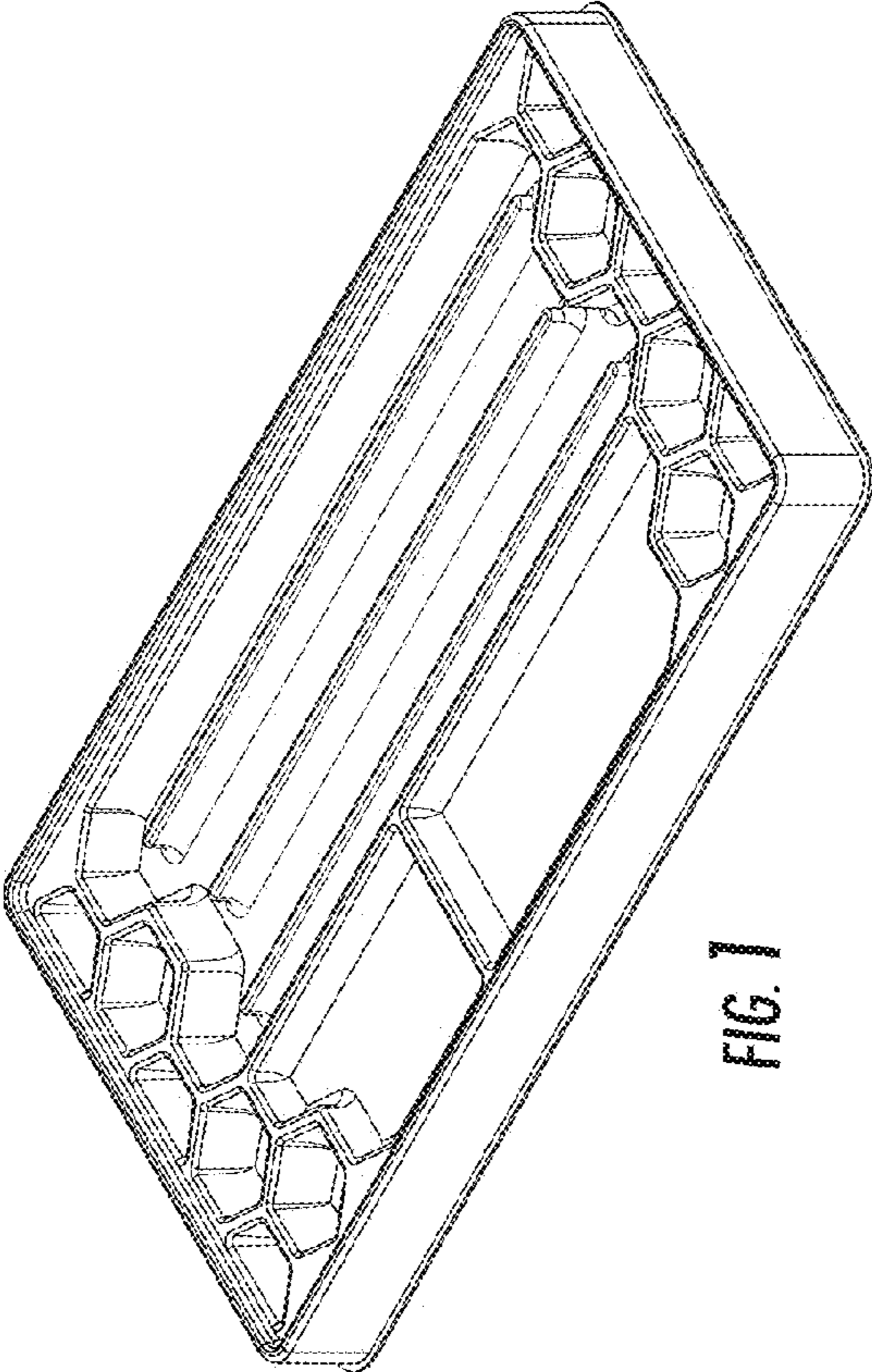


FIG. 1

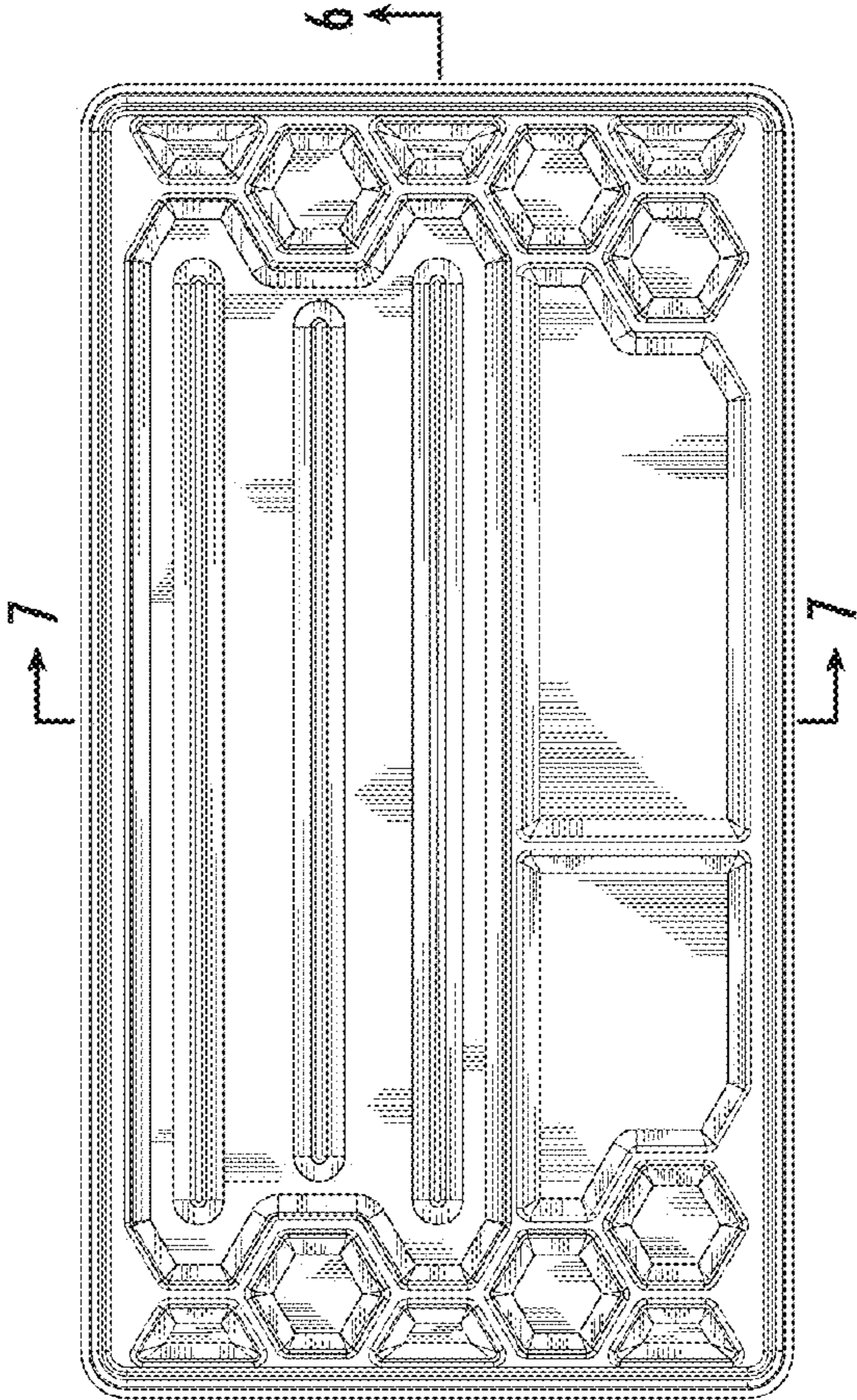


FIG. 2

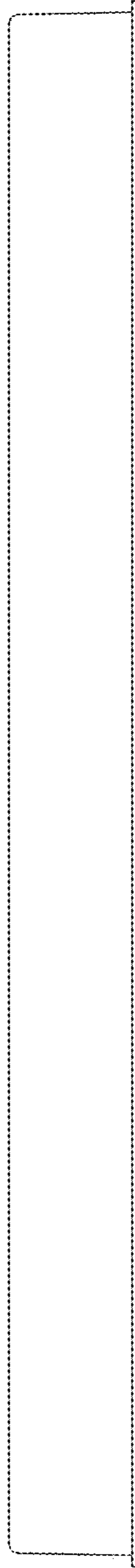


FIG. 3

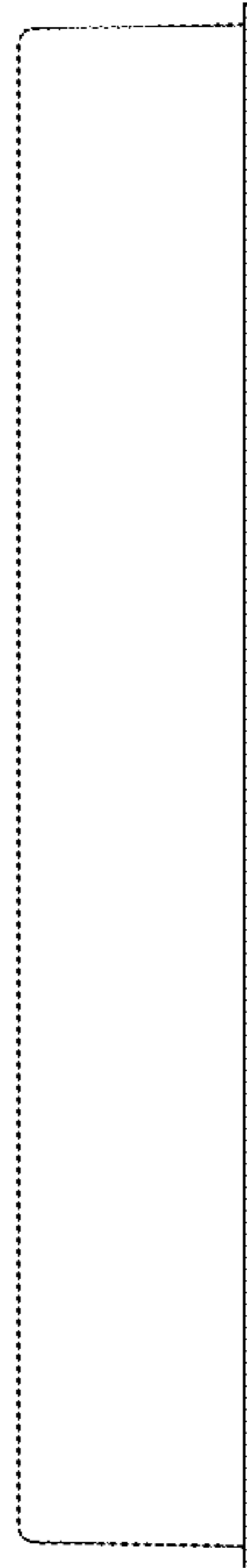


FIG. 4

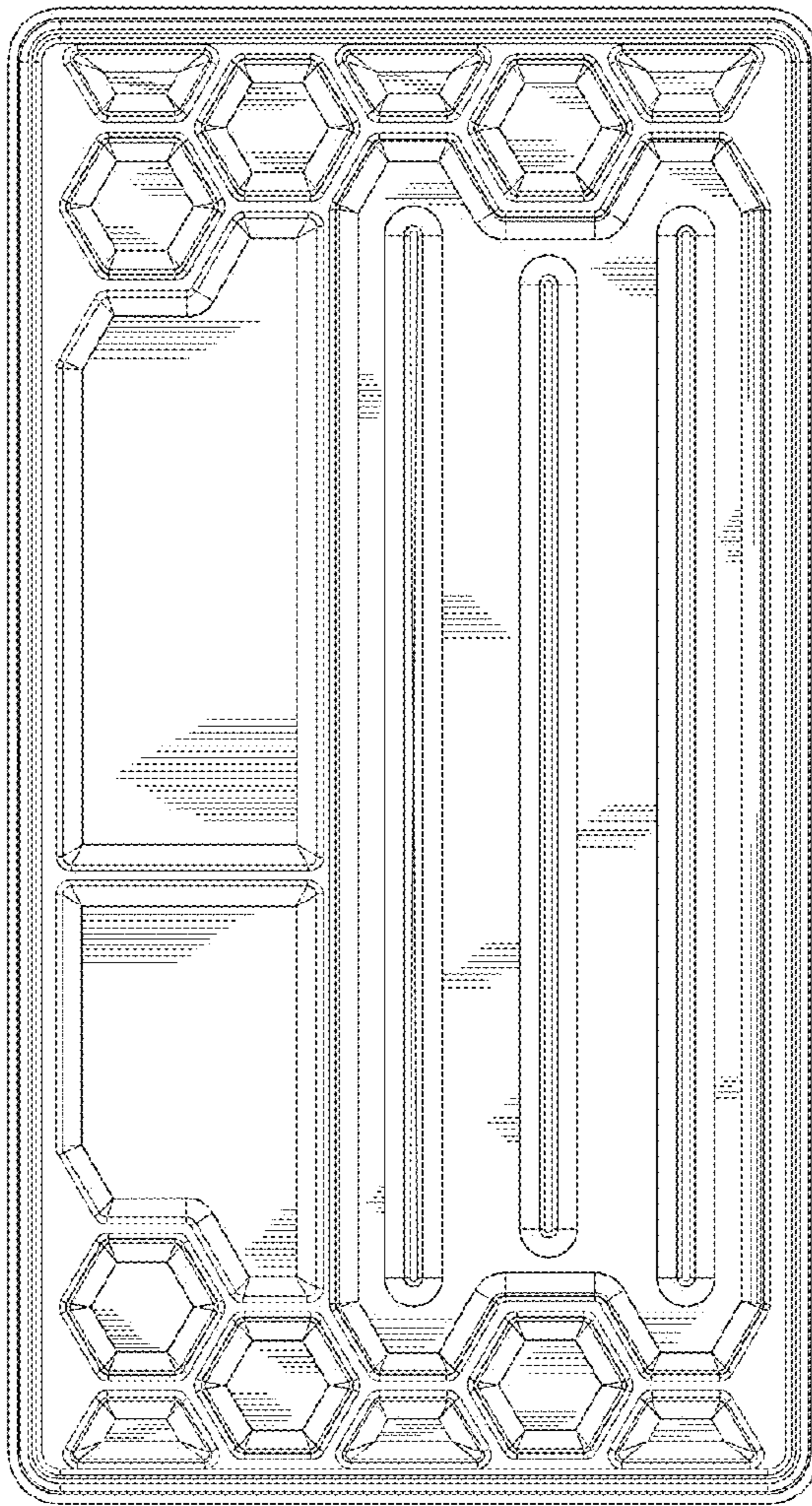


FIG. 5

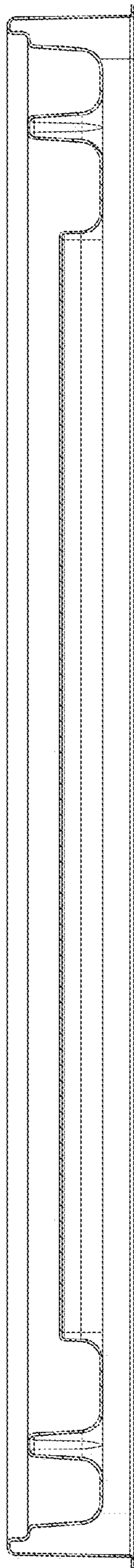


FIG. 6

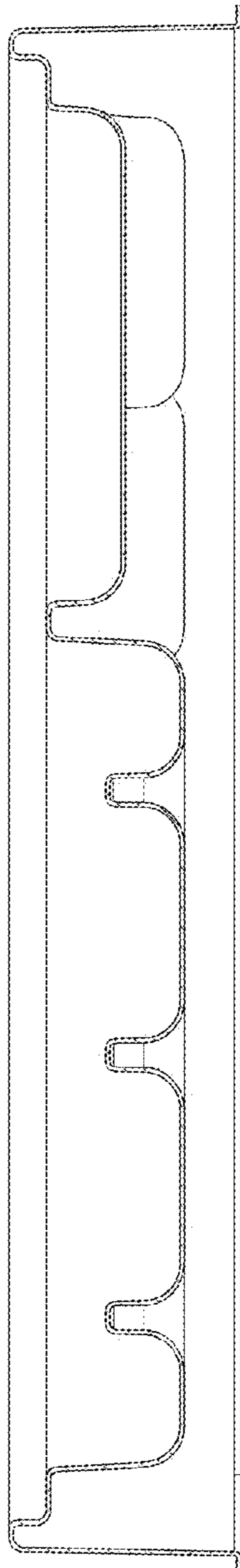


FIG. 7