

US00D736012S

(12) **United States Design Patent**
Davis et al.

(10) **Patent No.:** **US D736,012 S**

(45) **Date of Patent:** **** Aug. 11, 2015**

(54) **SEATED EASEL**

(71) Applicants: **Carl Brandt Davis**, La Verne, CA (US);
Eric Matthew Davis, La Verne, CA
(US)

(72) Inventors: **Carl Brandt Davis**, La Verne, CA (US);
Eric Matthew Davis, La Verne, CA
(US)

(**) Term: **14 Years**

(21) Appl. No.: **29/473,056**

(22) Filed: **Nov. 18, 2013**

(51) **LOC (10) Cl.** **06-04**

(52) **U.S. Cl.**
USPC **D6/673; D6/301**

(58) **Field of Classification Search**
USPC D6/241, 300, 301, 311, 332, 334, 335,
D6/338, 340, 349, 354; D19/91; D21/483;
D23/286; D24/227; 40/700, 711, 760,
40/764; 248/231.81, 461; 297/156
CPC A47B 83/008; A47B 41/04
See application file for complete search history.

(56) **References Cited**

U.S. PATENT DOCUMENTS

3,117,816 A * 1/1964 De Sena 297/156
3,312,444 A * 4/1967 De Sena 248/231.81
D209,048 S * 10/1967 Schaefer D6/340
D259,306 S * 5/1981 Licastro, II D6/300

D260,203 S * 8/1981 Arnold D6/300
D275,913 S * 10/1984 Mulligan D6/301
D278,496 S * 4/1985 Hausman D6/310
D279,334 S * 6/1985 Agan et al. D6/354
D297,984 S * 10/1988 Osborne D6/340
D328,125 S * 7/1992 Bae D23/286
D368,165 S * 3/1996 Foster D6/311
6,663,074 B2 * 12/2003 Prior 248/461
D524,563 S * 7/2006 Conway D6/349

* cited by examiner

Primary Examiner — Thomas Johannes

Assistant Examiner — Catherine Posthauer

(74) *Attorney, Agent, or Firm* — Christie, Parker & Hale,
LLP

(57) **CLAIM**

The ornamental design for a seated easel, as shown and described.

DESCRIPTION

FIG. 1 is a perspective view of the seated easel;
FIG. 2 is a right side view thereof;
FIG. 3 is a left side view thereof;
FIG. 4 is a front view thereof;
FIG. 5 is a back view thereof;
FIG. 6 is a top view thereof; and,
FIG. 7 is a bottom view thereof.
The broken lines are shown for the purpose of illustrating portions of the seated easel and form no part of the claimed design.

1 Claim, 5 Drawing Sheets

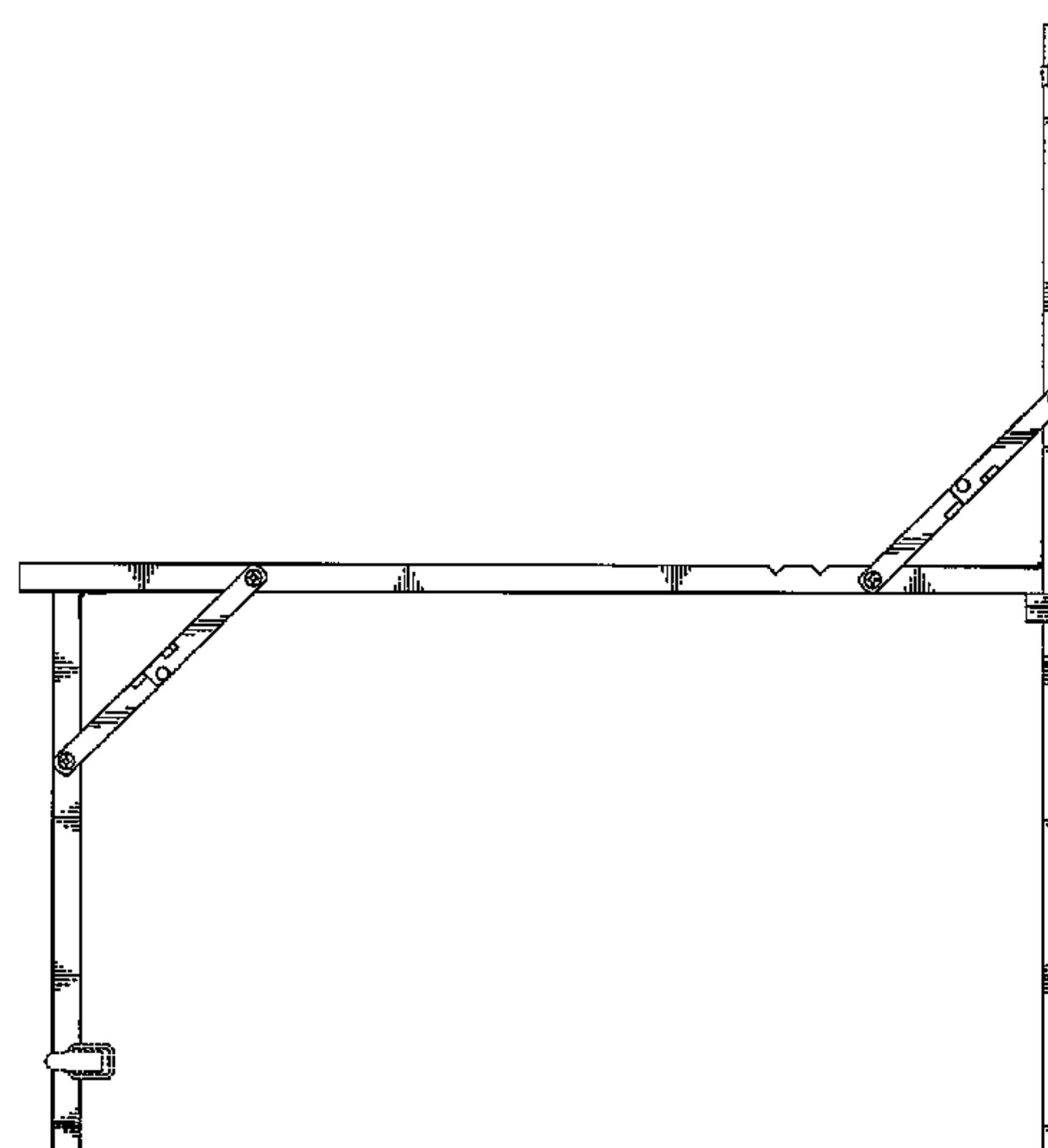
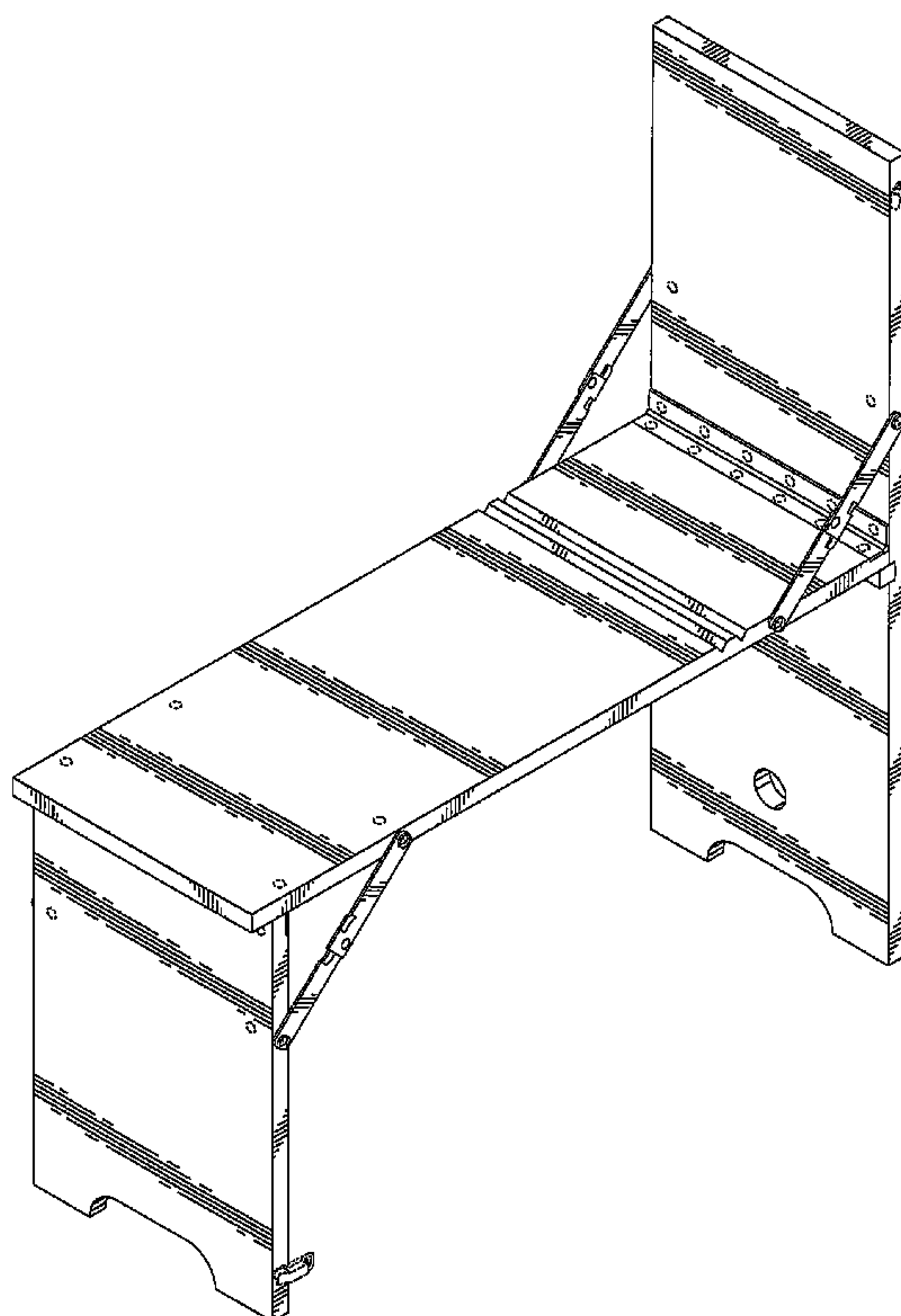
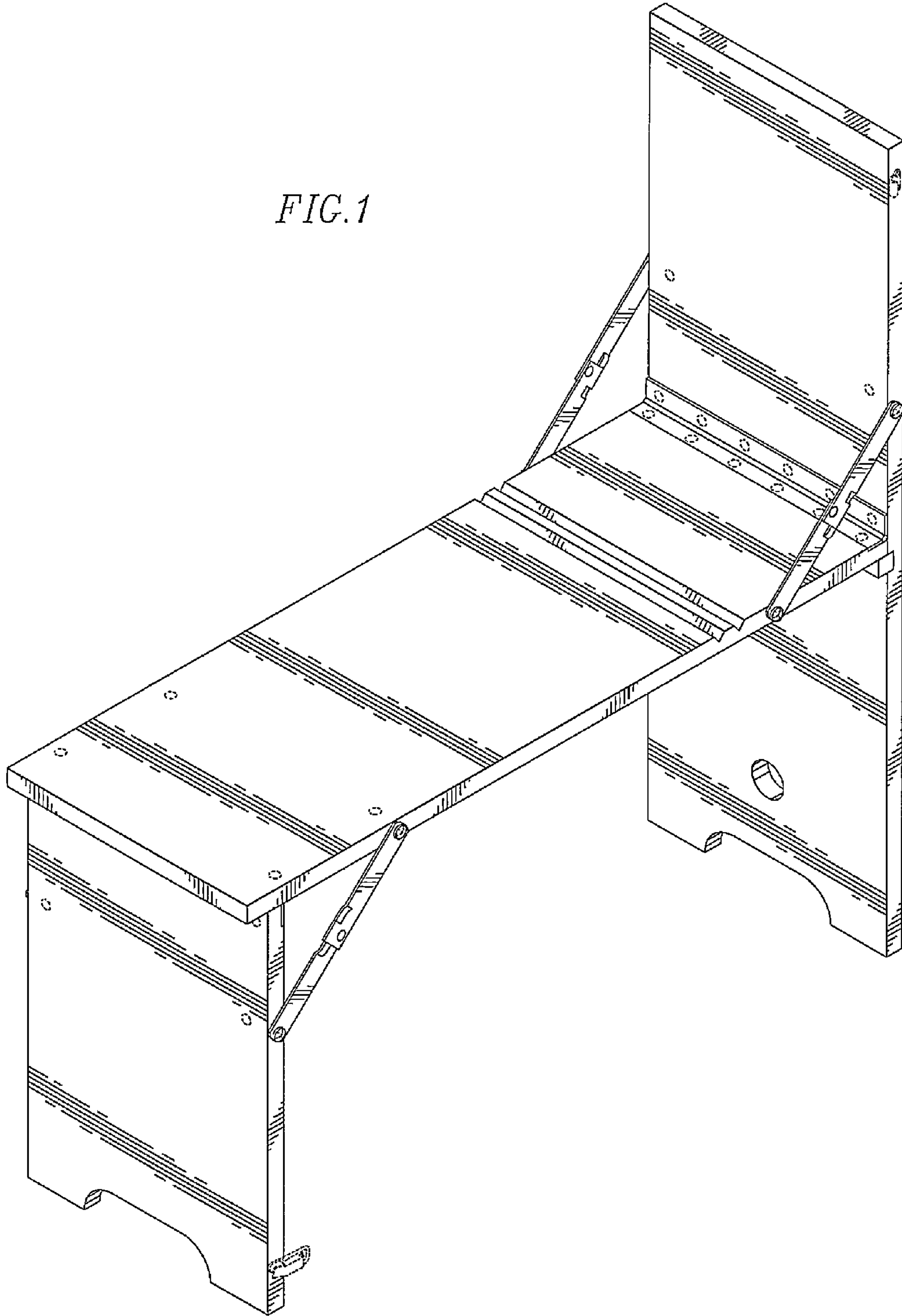


FIG. 1



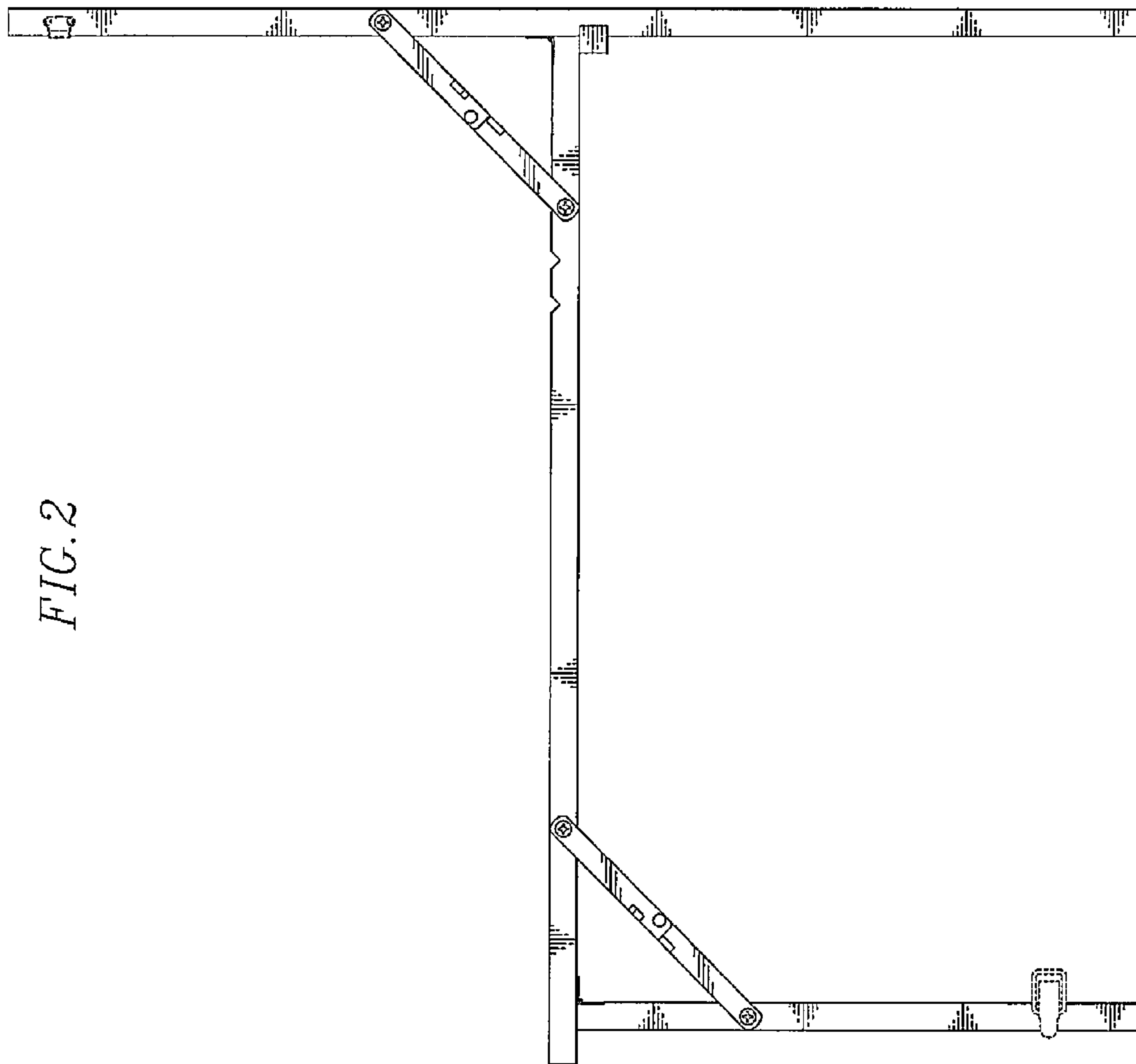


FIG. 2

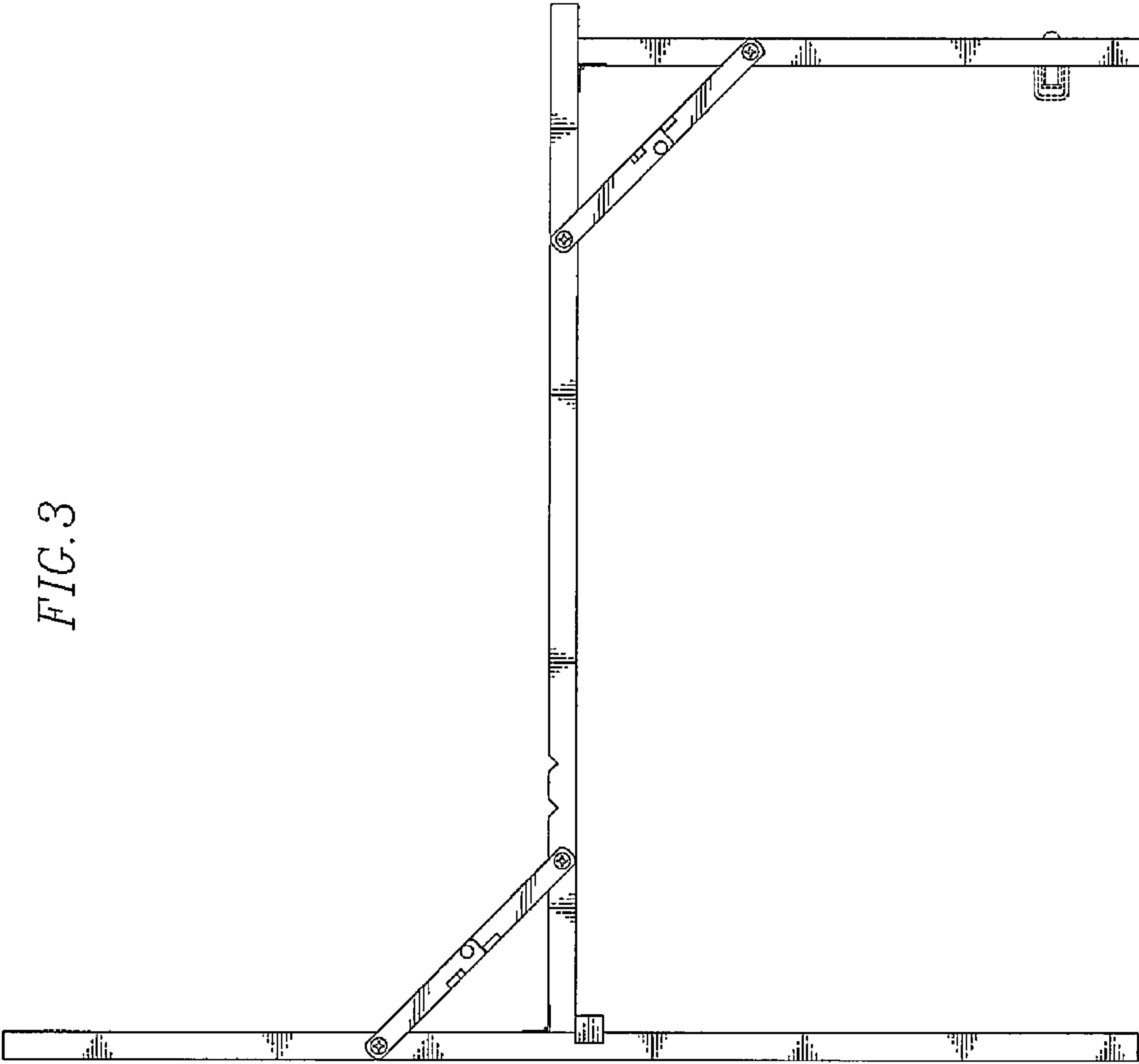


FIG. 3

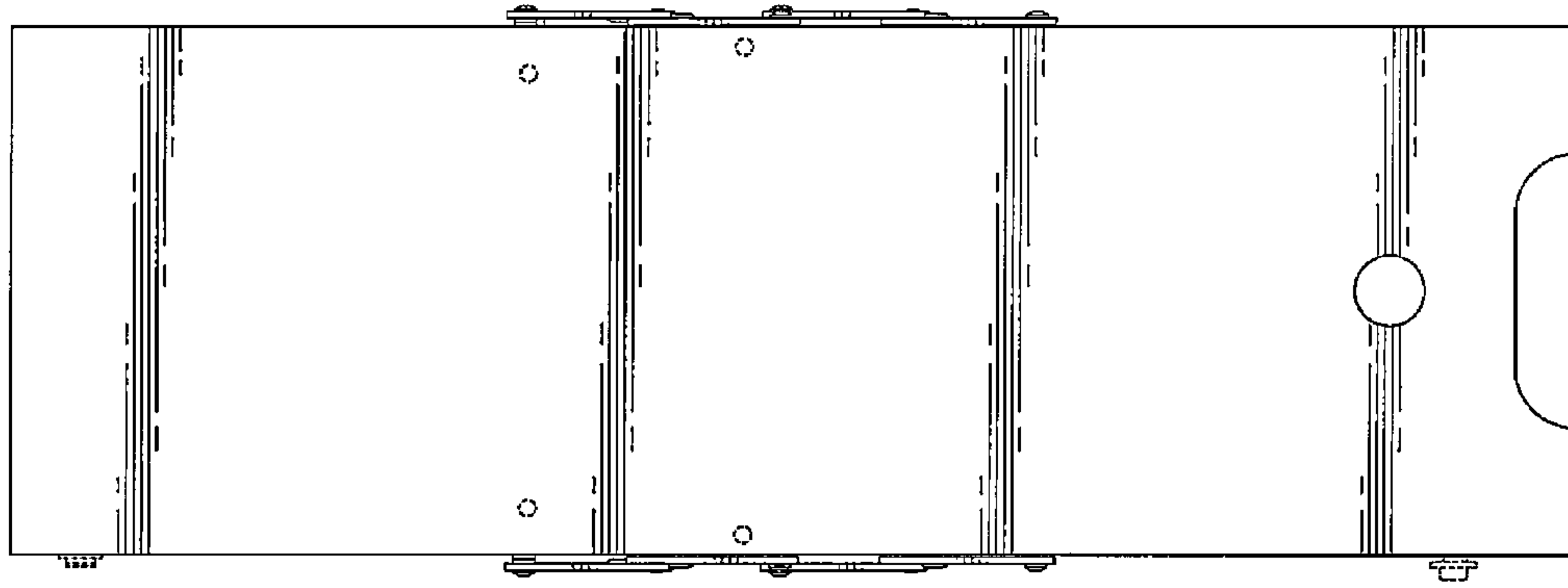


FIG. 5

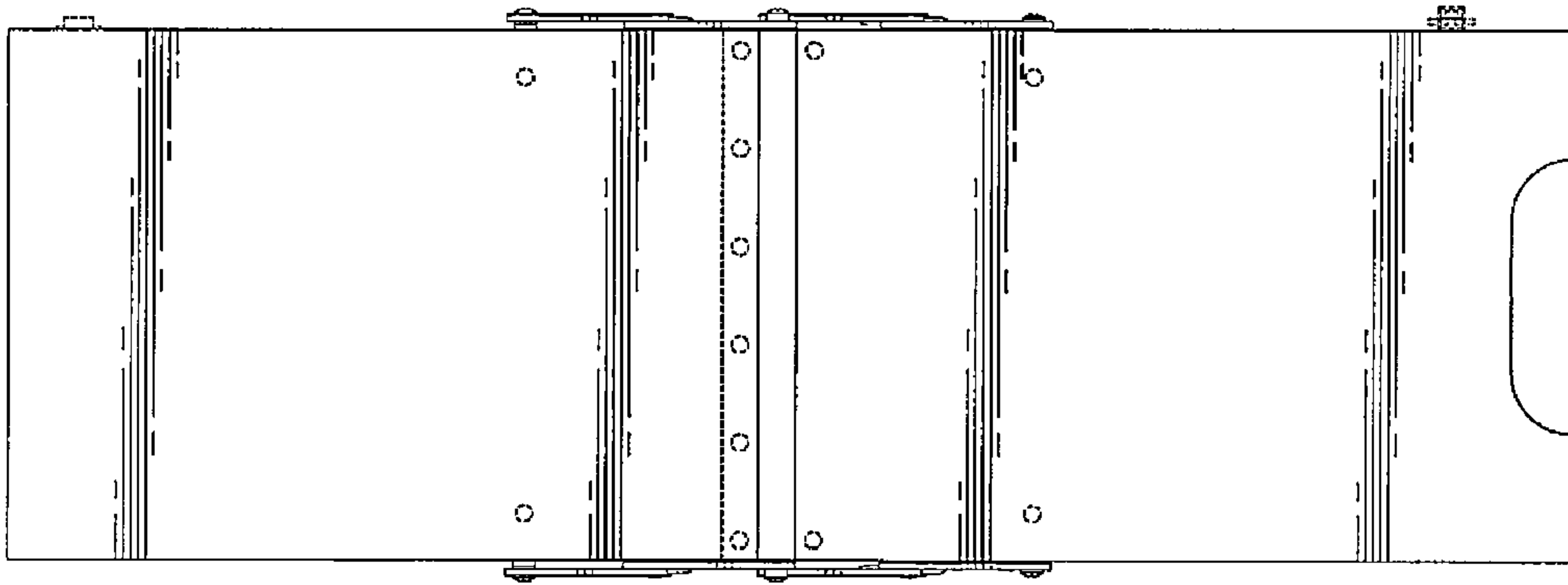


FIG. 4

FIG. 6

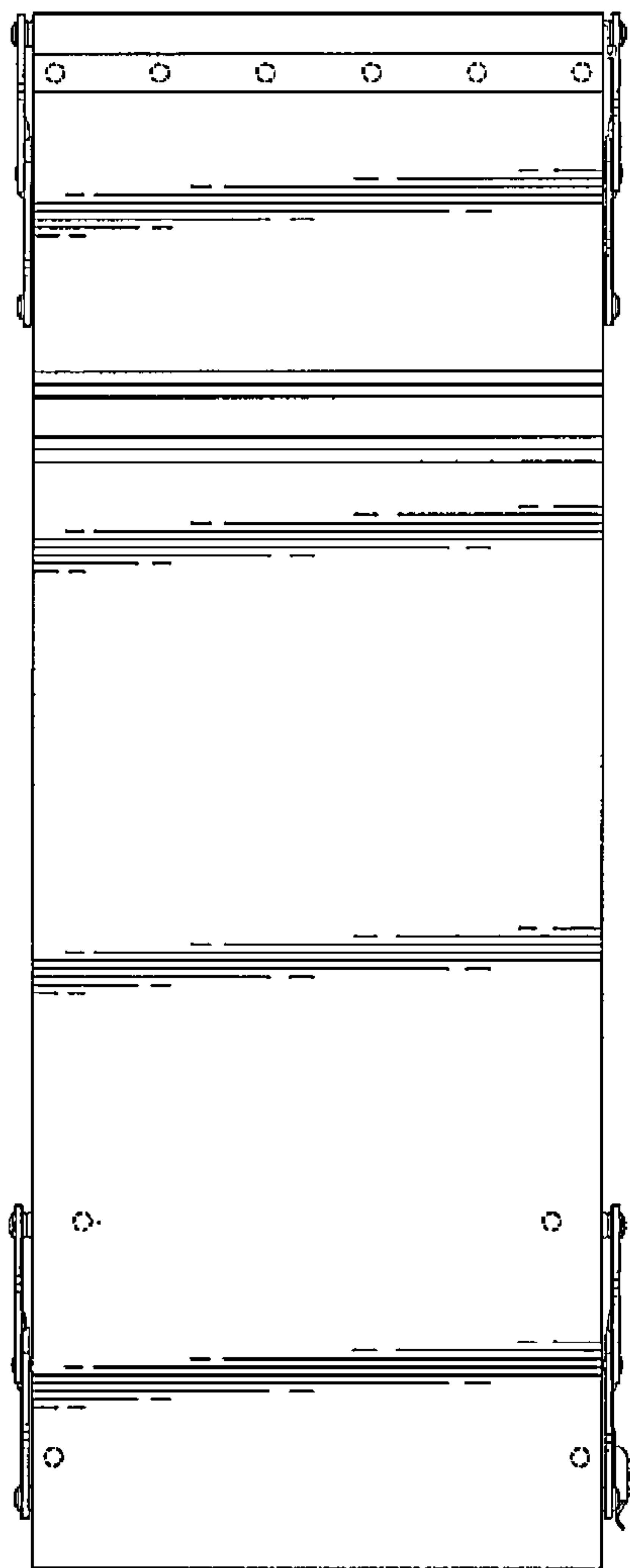


FIG. 7

